



Cush-A-Block[®] Rooftop Support System

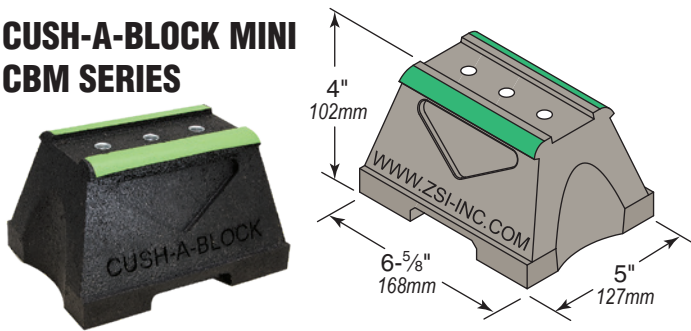
75% Faster Strut Install and Change-Out

Built-in Channel Guide	Embedded Fasteners	Easy-carry Hand Grip	Water Flow-through
 <p>Straight Strut Installation</p>	 <p>No Rust on the Roof</p>	 <p>Simple to Lift and Carry</p>	 <p>Helps Prevent Mold & Ice Dams</p>

- 100% Recycled Rubber Qualifies for LEED Credits
- Meets the Buy America Act and ARRA
- Resistant to Freeze and Thaw

- Dampens Vibrations
- Compatible with Most Rooftop Materials
- Eco-Green Reflective Safety Strip Won't Peel or Flake

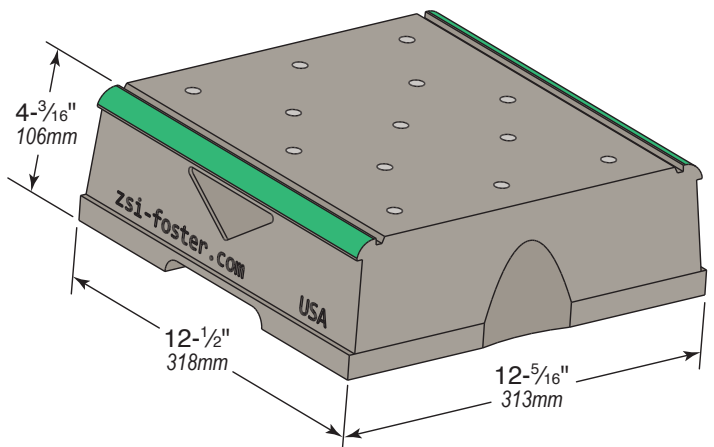
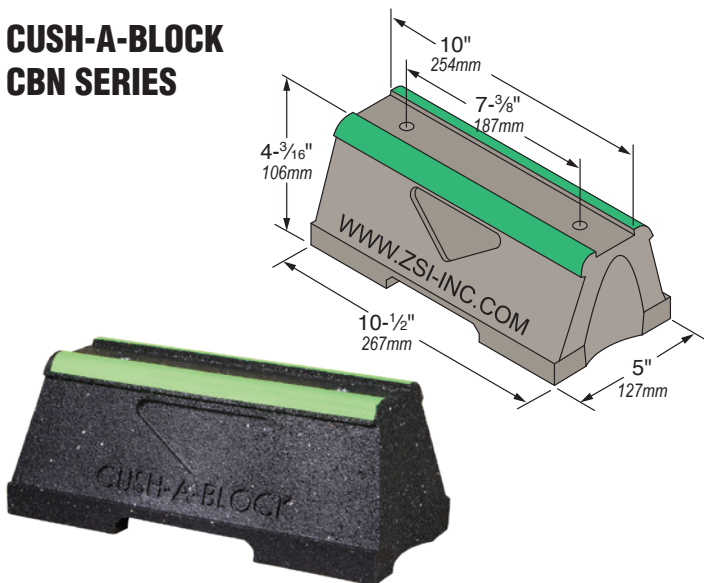
CUSH-A-BLOCK MINI CBM SERIES



CUSH-A-BLOCK BIGGIE CBNB SERIES



CUSH-A-BLOCK CBN SERIES



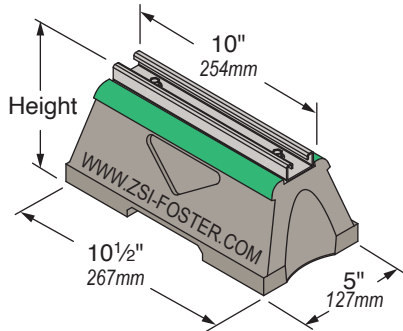
Solar Racking | Pipe & Conduit | HVAC | Rooftop Walkways



Cush-A-Block Rooftop Support System

CUSH-A-BLOCK - CBN SERIES

SUPPORT WITH METAL CHANNEL



The CBN Series provides a longer mounting surface. Custom lengths are available upon request

Part No.	No. of Bases	Height	Strut Length	Total Length	Uniform Load Lbs (kN)*
CBN-Support With $1\frac{3}{16}$" (21mm) Pre-Galv. or Hot Dip Galv. Steel Channel					
CBN1S	1	4- $\frac{13}{16}$ " (122mm)	10" (254mm)	10- $\frac{1}{2}$ " (267mm)	2,500 * (11.12 kN)
CBN2S	2		23- $\frac{1}{2}$ " (597mm)	24" (610mm)	5,000 * (22.24 kN)
CBN3S	3		35- $\frac{1}{2}$ " (902mm)	36" (914mm)	7,500 * (33.36 kN)
CBN4S	4		47- $\frac{1}{2}$ " (1.2m)	48" (1.2m)	10,000 * (44.48 kN)
CBN-Support With 1-$\frac{5}{8}$" (41mm) Pre-Galv. or Hot Dip Galv. Steel Channel					
CBN1D	1	5- $\frac{5}{8}$ " (143mm)	10" (254mm)	10- $\frac{1}{2}$ " (267mm)	2,500 * (11.12 kN)
CBN2D	2		23- $\frac{1}{2}$ " (597mm)	24" (610mm)	5,000 * (22.24 kN)
CBN3D	3		35- $\frac{1}{2}$ " (902mm)	36" (914mm)	7,500 * (33.36 kN)
CBN4D	4		47- $\frac{1}{2}$ " (1.2m)	48" (1.2m)	10,000 * (44.48 kN)
CBN Support With 2-$\frac{1}{16}$" (62mm) Pre-Galv. or Hot Dip Galv. Steel Channel					
CBN1RD	1	6- $\frac{7}{16}$ " (164mm)	10" (254mm)	10- $\frac{1}{2}$ " (267mm)	2,500 * (11.12 kN)
CBN2RD	2		23- $\frac{1}{2}$ " (597mm)	24" (610mm)	5,000 * (22.24 kN)
CBN3RD	3		35- $\frac{1}{2}$ " (902mm)	36" (914mm)	7,500 * (33.36 kN)
CBN4RD	4		47- $\frac{1}{2}$ " (1.2m)	48" (1.2m)	10,000 * (44.48 kN)

* This load is only for the capacity of the components in this assembly. Please consult roofing manufacturer or engineer for roof load capacity.

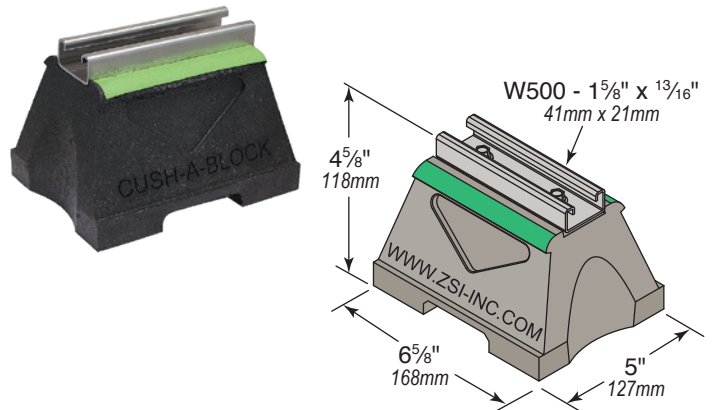
CUSH-A-BLOCK MINI WITH RAISED STRUT

Support with Raised 1- $\frac{5}{8}$ " Pre-Galv. or Hot Dip Galv. Metal Channel



CUSH-A-BLOCK MINI - CBM SERIES

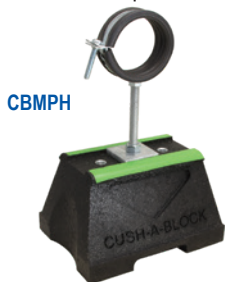
SUPPORT WITH METAL CHANNEL



CUSH-A-BLOCK MINI WITH RAISED CUSH-A-RING

Support with Raised SPH Cush-A-Ring Clamp for Copper Tube or Steel Tube or Pipe

Support With Raised SPP Cush-A-Ring Clamp for PEX, CPVC, or PVC Pipe



Part No.	Uniform Load Capacity (Lbs) *
CBM-Support With $1\frac{3}{16}$" Pre-Galv. or Hot Dip Galv. Steel Channel	
CBM1S	400 (11.78 kN)
CBM-Support With 1-$\frac{5}{8}$" Pre-Galv. or Hot Dip Galv. Steel Channel	
CBM1D	400 (11.78 kN)

* This load is only for the capacity of the components in this assembly. Please consult roofing manufacturer or engineer for roof load capacity.