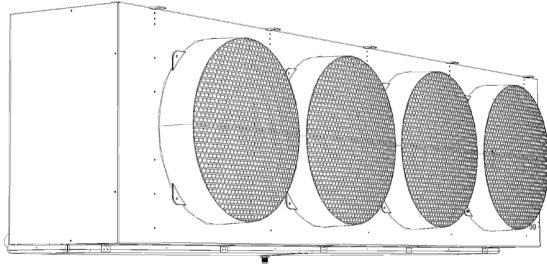




Bulletin T30-TEP-DFK-1



TEP Extended Profile Evaporator

60
Hz

DEFROST KIT & FUSE PACKAGE SELECTION GUIDE


 **PRODUCT SUPPORT**
 web: www.t-rp.com/tep
 email: evaps@t-rp.com
 call: 1-844-893-3222 x520



**For info on matched
Trenton condensing units,
visit
www.t-rp.com/cu**

**Defrost Kit &
Fuse Package
Online Selection Tool:
www.t-rp.com/dfk**

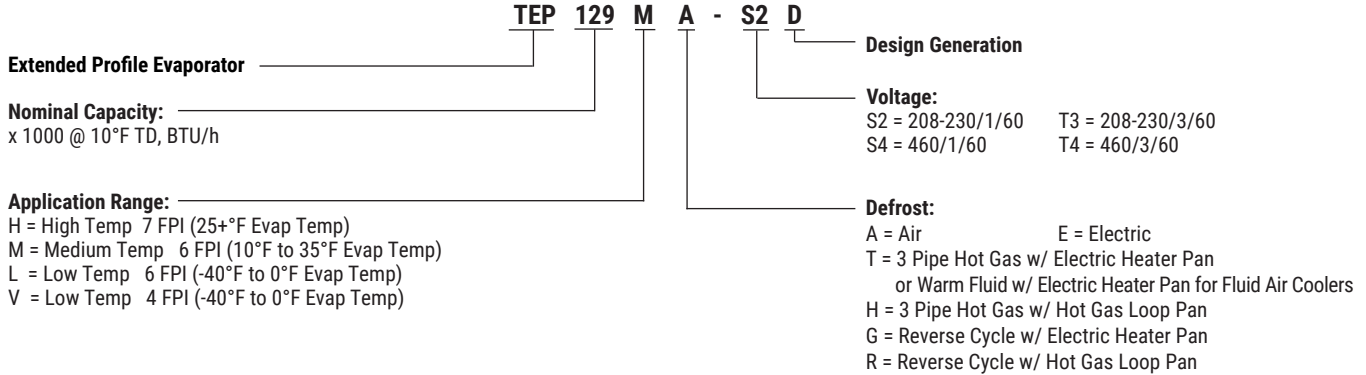
 **INCLUDES MODELS FOR DOE & NRCAN
AWEF-COMPLIANT APPLICATIONS**
 see Generation D Models - Pages 2-5

 **INCLUDES MODELS FOR DOE & NRCAN
AWEF-EXEMPT APPLICATIONS**
 see Legacy Models - Pages 6-12

**Defrost Kits and Fuse Package
Part Numbers and Descriptions
Pages 13-14**

DEFROST KIT AND FUSE PACKAGE SELECTIONS

TEP EXTENDED PROFILE EVAPORATORS (GENERATION D MODELS)



Models with standard SMARTSPEED™ EC Motors

Medium Temperature, 6 FPI

TEMP	FPI	# of Fans	Model TEP	Voltage	1 X EVAPORATOR		2 X EVAPORATOR	
					Defrost Kit	Fuse Package	Defrost Kit	Fuse Package
ME - MEDIUM TEMPERATURE	6	1	029ME-S2AD	208-230/1/60	DFK-10	FP-105	DFK-19	FP-118
			029ME-T3AD	208-230/3/60	DFK-14	FP-111	DFK-18	FP-122
		034ME-S2AD	208-230/1/60	DFK-10	FP-105	DFK-19	FP-118	
		034ME-T3AD	208-230/3/60	DFK-14	FP-111	DFK-18	FP-122	
		051ME-S2AD	208-230/1/60	DFK-15	FP-107	DFK-27	FP-119	
		051ME-T3AD	208-230/3/60	DFK-14	FP-113	DFK-23	FP-124	
	2	057ME-S2AD	208-230/1/60	DFK-15	FP-107	DFK-27	FP-119	
		057ME-T3AD	208-230/3/60	DFK-14	FP-113	DFK-23	FP-124	
		068ME-S2AD	208-230/1/60	DFK-15	FP-107	DFK-27	FP-119	
		068ME-T3AD	208-230/3/60	DFK-14	FP-113	DFK-23	FP-124	
	3	088ME-S2AD	208-230/1/60	DFK-25	FP-109	DFK-34	FP-093	
		088ME-T3AD	208-230/3/60	DFK-16	FP-024	DFK-28	FP-016	
		101ME-S2AD	208-230/1/60	DFK-25	FP-109	DFK-34	FP-093	
	4	101ME-T3AD	208-230/3/60	DFK-16	FP-024	DFK-28	FP-016	
		125ME-S2AD	208-230/1/60	DFK-25	FP-092	DFK-36	FP-103	
				125ME-T3AD	208-230/3/60	DFK-16	FP-023	DFK-30

DEFROST KIT AND FUSE PACKAGE SELECTIONS

TEP EXTENDED PROFILE EVAPORATORS (GENERATION D MODELS)



Models with standard SMARTSPEED™ EC Motors (cont'd)

Low Temperature, 6 FPI

TEMP	FPI	# of Fans	Model TEP	Voltage	1 X EVAPORATOR		2 X EVAPORATOR	
					Defrost Kit	Fuse Package	Defrost Kit	Fuse Package
LE - LOW TEMPERATURE	6	1	025LE-S2AD	208-230/1/60	DFK-10	FP-105	DFK-19	FP-118
			025LE-T3AD	208-230/3/60	DFK-14	FP-111	DFK-18	FP-122
			030LE-S2AD	208-230/1/60	DFK-10	FP-105	DFK-19	FP-118
			030LE-T3AD	208-230/3/60	DFK-14	FP-111	DFK-18	FP-122
		2	038LE-S2AD	208-230/1/60	DFK-15	FP-107	DFK-27	FP-119
			038LE-T3AD	208-230/3/60	DFK-14	FP-113	DFK-23	FP-124
			050LE-S2AD	208-230/1/60	DFK-15	FP-107	DFK-27	FP-119
			050LE-T3AD	208-230/3/60	DFK-14	FP-113	DFK-23	FP-124
	3	060LE-S2AD	208-230/1/60	DFK-15	FP-107	DFK-27	FP-119	
		060LE-T3AD	208-230/3/60	DFK-14	FP-113	DFK-23	FP-124	
		075LE-S2AD	208-230/1/60	DFK-25	FP-109	DFK-34	FP-093	
		075LE-T3AD	208-230/3/60	DFK-16	FP-024	DFK-28	FP-016	
	4	089LE-S2AD	208-230/1/60	DFK-25	FP-109	DFK-34	FP-093	
		089LE-T3AD	208-230/3/60	DFK-16	FP-024	DFK-28	FP-016	
		108LE-S2AD	208-230/1/60	DFK-25	FP-092	DFK-36	FP-103	
		108LE-T3AD	208-230/3/60	DFK-16	FP-023	DFK-30	FP-035	

Low Temperature, 4 FPI

TEMP	FPI	# of Fans	Model TEP	Voltage	1 X EVAPORATOR		2 X EVAPORATOR	
					Defrost Kit	Fuse Package	Defrost Kit	Fuse Package
VE - VERY LOW TEMPERATURE	6	1	022VE-S2AD	208-230/1/60	DFK-10	FP-105	DFK-19	FP-118
			022VE-T3AD	208-230/3/60	DFK-14	FP-111	DFK-18	FP-122
			025VE-S2AD	208-230/1/60	DFK-10	FP-105	DFK-19	FP-118
			025VE-T3AD	208-230/3/60	DFK-14	FP-111	DFK-18	FP-122
		2	037VE-S2AD	208-230/1/60	DFK-15	FP-107	DFK-27	FP-119
			037VE-T3AD	208-230/3/60	DFK-14	FP-113	DFK-23	FP-124
			043VE-S2AD	208-230/1/60	DFK-15	FP-107	DFK-27	FP-119
			043VE-T3AD	208-230/3/60	DFK-14	FP-113	DFK-23	FP-124
	3	051VE-S2AD	208-230/1/60	DFK-15	FP-107	DFK-27	FP-119	
		051VE-T3AD	208-230/3/60	DFK-14	FP-113	DFK-23	FP-124	
		065VE-S2AD	208-230/1/60	DFK-25	FP-109	DFK-34	FP-093	
		065VE-T3AD	208-230/3/60	DFK-16	FP-024	DFK-28	FP-016	
	4	077VE-S2AD	208-230/1/60	DFK-25	FP-109	DFK-34	FP-093	
		077VE-T3AD	208-230/3/60	DFK-16	FP-024	DFK-28	FP-016	
		093VE-S2AD	208-230/1/60	DFK-25	FP-092	DFK-36	FP-103	
		093VE-T3AD	208-230/3/60	DFK-16	FP-023	DFK-30	FP-035	

DEFROST KIT AND FUSE PACKAGE SELECTIONS

TEP EXTENDED PROFILE EVAPORATORS (GENERATION D MODELS)



Models with Variable Speed EC Motors

Medium Temperature, 6 FPI, with Variable Speed EC Motors

TEMP	FPI	# of Fans	Model TEP	Voltage	1 X EVAPORATOR		2 X EVAPORATOR	
					Defrost Kit	Fuse Package	Defrost Kit	Fuse Package
ME - MEDIUM TEMPERATURE	6	1	029ME-S2D-V	208-230/1/60	DFK-10	FP-105	DFK-19	FP-118
			029ME-S4D-V	460/1/60	DFK-10	FP-008	DFK-12	FP-022
			029ME-T3D-V	208-230/3/60	DFK-14	FP-111	DFK-18	FP-122
			029ME-T4D-V	460/3/60	DFK-14	FP-041	DFK-18	FP-042
			034ME-S2D-V	208-230/1/60	DFK-10	FP-105	DFK-19	FP-118
			034ME-S4D-V	460/1/60	DFK-10	FP-008	DFK-12	FP-022
			034ME-T3D-V	208-230/3/60	DFK-14	FP-111	DFK-18	FP-122
			034ME-T4D-V	460/3/60	DFK-14	FP-041	DFK-18	FP-042
		2	051ME-S2D-V	208-230/1/60	DFK-15	FP-107	DFK-27	FP-119
			051ME-S4D-V	460/1/60	DFK-10	FP-101	DFK-12	FP-098
			051ME-T3D-V	208-230/3/60	DFK-14	FP-113	DFK-23	FP-124
			051ME-T4D-V	460/3/60	DFK-14	FP-041	DFK-18	FP-042
			057ME-S2D-V	208-230/1/60	DFK-15	FP-107	DFK-27	FP-119
			057ME-S4D-V	460/1/60	DFK-10	FP-101	DFK-12	FP-098
			057ME-T3D-V	208-230/3/60	DFK-14	FP-113	DFK-23	FP-124
			057ME-T4D-V	460/3/60	DFK-14	FP-041	DFK-18	FP-042
		3	068ME-S2D-V	208-230/1/60	DFK-15	FP-107	DFK-27	FP-119
			068ME-S4D-V	460/1/60	DFK-10	FP-101	DFK-12	FP-098
			068ME-T3D-V	208-230/3/60	DFK-14	FP-113	DFK-23	FP-124
			068ME-T4D-V	460/3/60	DFK-14	FP-041	DFK-18	FP-042
			088ME-S2D-V	208-230/1/60	DFK-25	FP-109	DFK-34	FP-093
			088ME-S4D-V	460/1/60	DFK-15	FP-056	DFK-27	FP-049
			088ME-T3D-V	208-230/3/60	DFK-16	FP-024	DFK-28	FP-016
			088ME-T4D-V	460/3/60	DFK-14	FP-063	DFK-18	FP-070
4	101ME-S2D-V	208-230/1/60	DFK-25	FP-109	DFK-34	FP-093		
	101ME-S4D-V	460/1/60	DFK-15	FP-056	DFK-27	FP-049		
	101ME-T3D-V	208-230/3/60	DFK-16	FP-024	DFK-28	FP-016		
	101ME-T4D-V	460/3/60	DFK-14	FP-063	DFK-18	FP-070		
4	125ME-S2D-V	208-230/1/60	DFK-25	FP-092	DFK-36	FP-103		
	125ME-S4D-V	460/1/60	DFK-15	FP-055	DFK-27	FP-048		
	125ME-T3D-V	208-230/3/60	DFK-16	FP-023	DFK-30	FP-035		
	125ME-T4D-V	460/3/60	DFK-14	FP-063	DFK-18	FP-070		

DEFROST KIT AND FUSE PACKAGE SELECTIONS

TEP EXTENDED PROFILE EVAPORATORS (GENERATION D MODELS)



Models with Variable Speed EC Motors (cont'd)

Low Temperature, 6 FPI, with Variable Speed EC Motors

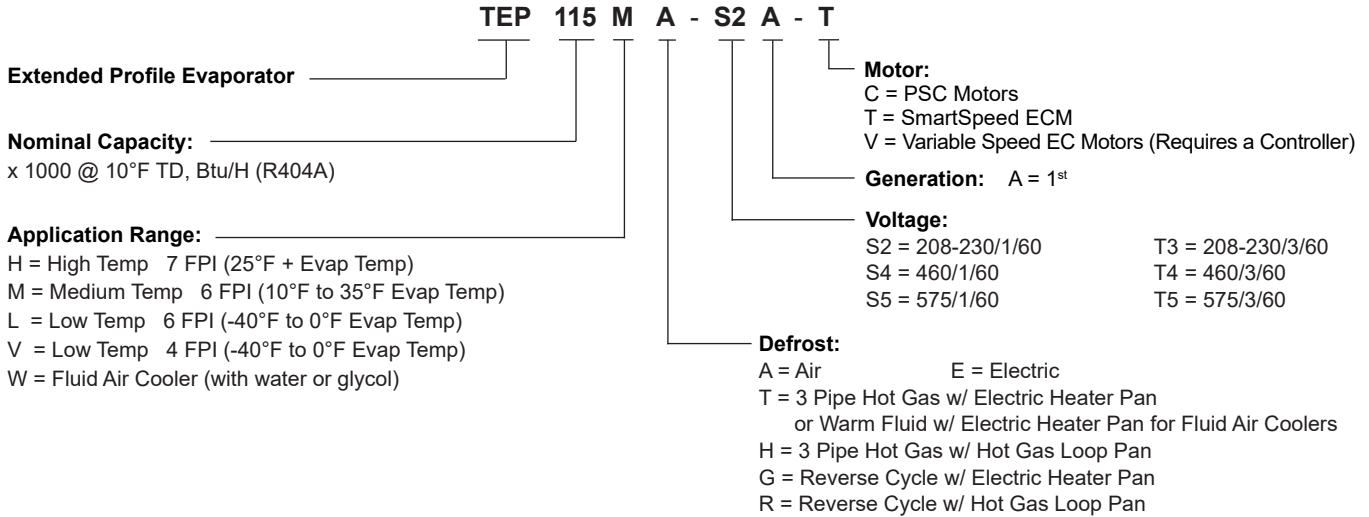
TEMP	FPI	# of Fans	Model TEP	Voltage	1 X EVAPORATOR		2 X EVAPORATOR	
					Defrost Kit	Fuse Package	Defrost Kit	Fuse Package
LE - LOW TEMPERATURE	6	1	025LE-S2D-V	208-230/1/60	DFK-10	FP-105	DFK-19	FP-118
			025LE-S4D-V	460/1/60	DFK-10	FP-008	DFK-12	FP-022
			025LE-T3D-V	208-230/3/60	DFK-14	FP-111	DFK-18	FP-122
			025LE-T4D-V	460/3/60	DFK-14	FP-041	DFK-18	FP-042
			030LE-S2D-V	208-230/1/60	DFK-10	FP-105	DFK-19	FP-118
			030LE-S4D-V	460/1/60	DFK-10	FP-008	DFK-12	FP-022
			030LE-T3D-V	208-230/3/60	DFK-14	FP-111	DFK-18	FP-122
			030LE-T4D-V	460/3/60	DFK-14	FP-041	DFK-18	FP-042
			038LE-S2D-V	208-230/1/60	DFK-15	FP-107	DFK-27	FP-119
			038LE-S4D-V	460/1/60	DFK-10	FP-101	DFK-12	FP-098
			038LE-T3D-V	208-230/3/60	DFK-14	FP-113	DFK-23	FP-124
			038LE-T4D-V	460/3/60	DFK-14	FP-041	DFK-18	FP-042
		050LE-S2D-V	208-230/1/60	DFK-15	FP-107	DFK-27	FP-119	
		050LE-S4D-V	460/1/60	DFK-10	FP-101	DFK-12	FP-098	
		050LE-T3D-V	208-230/3/60	DFK-14	FP-113	DFK-23	FP-124	
		050LE-T4D-V	460/3/60	DFK-14	FP-041	DFK-18	FP-042	
		060LE-S2D-V	208-230/1/60	DFK-15	FP-107	DFK-27	FP-119	
		060LE-S4D-V	460/1/60	DFK-10	FP-101	DFK-12	FP-098	
		060LE-T3D-V	208-230/3/60	DFK-14	FP-113	DFK-23	FP-124	
		060LE-T4D-V	460/3/60	DFK-14	FP-041	DFK-18	FP-042	
		075LE-S2D-V	208-230/1/60	DFK-25	FP-109	DFK-34	FP-093	
		075LE-S4D-V	460/1/60	DFK-15	FP-056	DFK-27	FP-049	
		075LE-T3D-V	208-230/3/60	DFK-16	FP-024	DFK-28	FP-016	
		075LE-T4D-V	460/3/60	DFK-14	FP-063	DFK-18	FP-070	
		089LE-S2D-V	208-230/1/60	DFK-25	FP-109	DFK-34	FP-093	
		089LE-S4D-V	460/1/60	DFK-15	FP-056	DFK-27	FP-049	
		089LE-T3D-V	208-230/3/60	DFK-16	FP-024	DFK-28	FP-016	
		089LE-T4D-V	460/3/60	DFK-14	FP-063	DFK-18	FP-070	
		108LE-S2D-V	208-230/1/60	DFK-25	FP-092	DFK-36	FP-103	
		108LE-S4D-V	460/1/60	DFK-15	FP-055	DFK-27	FP-048	
		108LE-T3D-V	208-230/3/60	DFK-16	FP-023	DFK-30	FP-035	
		108LE-T4D-V	460/3/60	DFK-14	FP-063	DFK-18	FP-070	

Low Temperature, 4 FPI, with Variable Speed EC Motors

TEMP	FPI	# of Fans	Model TEP	Voltage	1 X EVAPORATOR		2 X EVAPORATOR	
					Defrost Kit	Fuse Package	Defrost Kit	Fuse Package
VE - VERY LOW TEMPERATURE	4	1	022VE-S2D-V	208-230/1/60	DFK-10	FP-105	DFK-19	FP-118
			022VE-S4D-V	460/1/60	DFK-10	FP-008	DFK-12	FP-022
			022VE-T3D-V	208-230/3/60	DFK-14	FP-111	DFK-18	FP-122
			022VE-T4D-V	460/3/60	DFK-14	FP-041	DFK-18	FP-042
			025VE-S2D-V	208-230/1/60	DFK-10	FP-105	DFK-19	FP-118
			025VE-S4D-V	460/1/60	DFK-10	FP-008	DFK-12	FP-022
			025VE-T3D-V	208-230/3/60	DFK-14	FP-111	DFK-18	FP-122
			025VE-T4D-V	460/3/60	DFK-14	FP-041	DFK-18	FP-042
			037VE-S2D-V	208-230/1/60	DFK-15	FP-107	DFK-27	FP-119
			037VE-S4D-V	460/1/60	DFK-10	FP-101	DFK-12	FP-098
			037VE-T3D-V	208-230/3/60	DFK-14	FP-113	DFK-23	FP-124
			037VE-T4D-V	460/3/60	DFK-14	FP-041	DFK-18	FP-042
		043VE-S2D-V	208-230/1/60	DFK-15	FP-107	DFK-27	FP-119	
		043VE-S4D-V	460/1/60	DFK-10	FP-101	DFK-12	FP-098	
		043VE-T3D-V	208-230/3/60	DFK-14	FP-113	DFK-23	FP-124	
		043VE-T4D-V	460/3/60	DFK-14	FP-041	DFK-18	FP-042	
		051VE-S2D-V	208-230/1/60	DFK-15	FP-107	DFK-27	FP-119	
		051VE-S4D-V	460/1/60	DFK-10	FP-101	DFK-12	FP-098	
		051VE-T3D-V	208-230/3/60	DFK-14	FP-113	DFK-23	FP-124	
		051VE-T4D-V	460/3/60	DFK-14	FP-041	DFK-18	FP-042	
		065VE-S2D-V	208-230/1/60	DFK-25	FP-109	DFK-34	FP-093	
		065VE-S4D-V	460/1/60	DFK-15	FP-056	DFK-27	FP-049	
		065VE-T3D-V	208-230/3/60	DFK-16	FP-024	DFK-28	FP-016	
		065VE-T4D-V	460/3/60	DFK-14	FP-063	DFK-18	FP-070	
		077VE-S2D-V	208-230/1/60	DFK-25	FP-109	DFK-34	FP-093	
		077VE-S4D-V	460/1/60	DFK-15	FP-056	DFK-27	FP-049	
		077VE-T3D-V	208-230/3/60	DFK-16	FP-024	DFK-28	FP-016	
		077VE-T4D-V	460/3/60	DFK-14	FP-063	DFK-18	FP-070	
		093VE-S2D-V	208-230/1/60	DFK-25	FP-092	DFK-36	FP-103	
		093VE-S4D-V	460/1/60	DFK-15	FP-055	DFK-27	FP-048	
		093VE-T3D-V	208-230/3/60	DFK-16	FP-023	DFK-30	FP-035	
		093VE-T4D-V	460/3/60	DFK-14	FP-063	DFK-18	FP-070	

DEFROST KIT AND FUSE PACKAGE SELECTIONS

TEP EXTENDED PROFILE EVAPORATORS (LEGACY MODELS)



DEFROST KIT AND FUSE PACKAGE SELECTIONS

TEP EXTENDED PROFILE EVAPORATORS (LEGACY MODELS)



Models with Standard PSC Motors

Medium Temperature, 6 FPI, with standard PSC Motors

TEMP	FPI	# of Fans	Model TEP	Voltage	1 X EVAPORATOR		2 X EVAPORATOR	
					Defrost Kit	Fuse Package	Defrost Kit	Fuse Package
ME - MEDIUM TEMPERATURE	6	1	026ME-S2A-C	208-230/1/60	DFK-10	FP-105	DFK-19	FP-118
			026ME-S4A-C	460/1/60	DFK-10	FP-008	DFK-12	FP-022
			026ME-S5A-C	575/1/60	DFK-10	FP-008	DFK-12	FP-022
			026ME-T3A-C	208-230/3/60	DFK-14	FP-111	DFK-18	FP-122
			026ME-T4A-C	460/3/60	DFK-14	FP-041	DFK-18	FP-042
			026ME-T5A-C	575/3/60	DFK-14	FP-041	DFK-18	FP-042
			031ME-S2A-C	208-230/1/60	DFK-10	FP-105	DFK-19	FP-118
			031ME-S4A-C	460/1/60	DFK-10	FP-008	DFK-12	FP-022
			031ME-S5A-C	575/1/60	DFK-10	FP-008	DFK-12	FP-022
			031ME-T3A-C	208-230/3/60	DFK-14	FP-111	DFK-18	FP-122
			031ME-T4A-C	460/3/60	DFK-14	FP-041	DFK-18	FP-042
			031ME-T5A-C	575/3/60	DFK-14	FP-041	DFK-18	FP-042
		038ME-S2A-C	208-230/1/60	DFK-15	FP-107	DFK-27	FP-119	
		038ME-S4A-C	460/1/60	DFK-10	FP-101	DFK-12	FP-098	
		038ME-S5A-C	575/1/60	DFK-10	FP-100	DFK-12	FP-099	
		038ME-T3A-C	208-230/3/60	DFK-14	FP-113	DFK-23	FP-124	
		038ME-T4A-C	460/3/60	DFK-14	FP-041	DFK-18	FP-042	
		038ME-T5A-C	575/3/60	DFK-14	FP-041	DFK-18	FP-042	
		052ME-S2A-C	208-230/1/60	DFK-15	FP-107	DFK-27	FP-119	
		052ME-S4A-C	460/1/60	DFK-10	FP-101	DFK-12	FP-098	
		052ME-S5A-C	575/1/60	DFK-10	FP-100	DFK-12	FP-099	
		052ME-T3A-C	208-230/3/60	DFK-14	FP-113	DFK-23	FP-124	
		052ME-T4A-C	460/3/60	DFK-14	FP-041	DFK-18	FP-042	
		052ME-T5A-C	575/3/60	DFK-14	FP-041	DFK-18	FP-042	
		062ME-S2A-C	208-230/1/60	DFK-15	FP-107	DFK-27	FP-119	
		062ME-S4A-C	460/1/60	DFK-10	FP-101	DFK-12	FP-098	
		062ME-S5A-C	575/1/60	DFK-10	FP-100	DFK-12	FP-099	
		062ME-T3A-C	208-230/3/60	DFK-14	FP-113	DFK-23	FP-124	
		062ME-T4A-C	460/3/60	DFK-14	FP-041	DFK-18	FP-042	
		062ME-T5A-C	575/3/60	DFK-14	FP-041	DFK-18	FP-042	
		079ME-S2A-C	208-230/1/60	DFK-25	FP-109	DFK-34	FP-093	
		079ME-S4A-C	460/1/60	DFK-15	FP-056	DFK-27	FP-049	
		079ME-S5A-C	575/1/60	DFK-10	FP-102	DFK-19	FP-097	
		079ME-T3A-C	208-230/3/60	DFK-16	FP-024	DFK-28	FP-016	
		079ME-T4A-C	460/3/60	DFK-14	FP-063	DFK-18	FP-070	
		079ME-T5A-C	575/3/60	DFK-14	FP-066	DFK-18	FP-073	
		093ME-S2A-C	208-230/1/60	DFK-25	FP-109	DFK-34	FP-093	
		093ME-S4A-C	460/1/60	DFK-15	FP-056	DFK-27	FP-049	
		093ME-S5A-C	575/1/60	DFK-10	FP-102	DFK-19	FP-097	
		093ME-T3A-C	208-230/3/60	DFK-16	FP-024	DFK-28	FP-016	
		093ME-T4A-C	460/3/60	DFK-14	FP-063	DFK-18	FP-070	
		093ME-T5A-C	575/3/60	DFK-14	FP-066	DFK-18	FP-073	
		115ME-S2A-C	208-230/1/60	DFK-25	FP-089	DFK-34	FP-087	
		115ME-S4A-C	460/1/60	DFK-15	FP-055	DFK-27	FP-048	
		115ME-S5A-C	575/1/60	DFK-15	FP-060	DFK-27	FP-067	
		115ME-T3A-C	208-230/3/60	DFK-16	FP-057	DFK-28	FP-051	
		115ME-T4A-C	460/3/60	DFK-14	FP-063	DFK-18	FP-070	
		115ME-T5A-C	575/3/60	DFK-14	FP-066	DFK-18	FP-073	

DEFROST KIT AND FUSE PACKAGE SELECTIONS

TEP EXTENDED PROFILE EVAPORATORS (LEGACY MODELS)



Models with Standard PSC Motors (cont'd)

Low Temperature, 6 FPI, with standard PSC Motors

TEMP	FPI	# of Fans	Model TEP	Voltage	1 X EVAPORATOR		2 X EVAPORATOR	
					Defrost Kit	Fuse Package	Defrost Kit	Fuse Package
LE - LOW TEMPERATURE	6	1	023LE-S2A-C	208-230/1/60	DFK-10	FP-105	DFK-19	FP-118
			023LE-S4A-C	460/1/60	DFK-10	FP-008	DFK-12	FP-022
			023LE-S5A-C	575/1/60	DFK-10	FP-008	DFK-12	FP-022
			023LE-T3A-C	208-230/3/60	DFK-14	FP-111	DFK-18	FP-122
			023LE-T4A-C	460/3/60	DFK-14	FP-041	DFK-18	FP-042
			023LE-T5A-C	575/3/60	DFK-14	FP-041	DFK-18	FP-042
			028LE-S2A-C	208-230/1/60	DFK-10	FP-105	DFK-19	FP-118
			028LE-S4A-C	460/1/60	DFK-10	FP-008	DFK-12	FP-022
			028LE-S5A-C	575/1/60	DFK-10	FP-008	DFK-12	FP-022
			028LE-T3A-C	208-230/3/60	DFK-14	FP-111	DFK-18	FP-122
			028LE-T4A-C	460/3/60	DFK-14	FP-041	DFK-18	FP-042
			028LE-T5A-C	575/3/60	DFK-14	FP-041	DFK-18	FP-042
		035LE-S2A-C	208-230/1/60	DFK-15	FP-107	DFK-27	FP-119	
		035LE-S4A-C	460/1/60	DFK-10	FP-101	DFK-12	FP-098	
		035LE-S5A-C	575/1/60	DFK-10	FP-100	DFK-12	FP-099	
		035LE-T3A-C	208-230/3/60	DFK-14	FP-113	DFK-23	FP-124	
		035LE-T4A-C	460/3/60	DFK-14	FP-041	DFK-18	FP-042	
		035LE-T5A-C	575/3/60	DFK-14	FP-041	DFK-18	FP-042	
		047LE-S2A-C	208-230/1/60	DFK-15	FP-107	DFK-27	FP-119	
		047LE-S4A-C	460/1/60	DFK-10	FP-101	DFK-12	FP-098	
		047LE-S5A-C	575/1/60	DFK-10	FP-100	DFK-12	FP-099	
		047LE-T3A-C	208-230/3/60	DFK-14	FP-113	DFK-23	FP-124	
		047LE-T4A-C	460/3/60	DFK-14	FP-041	DFK-18	FP-042	
		047LE-T5A-C	575/3/60	DFK-14	FP-041	DFK-18	FP-042	
		056LE-S2A-C	208-230/1/60	DFK-15	FP-107	DFK-27	FP-119	
		056LE-S4A-C	460/1/60	DFK-10	FP-101	DFK-12	FP-098	
		056LE-S5A-C	575/1/60	DFK-10	FP-100	DFK-12	FP-099	
		056LE-T3A-C	208-230/3/60	DFK-14	FP-113	DFK-23	FP-124	
		056LE-T4A-C	460/3/60	DFK-14	FP-041	DFK-18	FP-042	
		056LE-T5A-C	575/3/60	DFK-14	FP-041	DFK-18	FP-042	
		070LE-S2A-C	208-230/1/60	DFK-25	FP-109	DFK-34	FP-093	
		070LE-S4A-C	460/1/60	DFK-15	FP-056	DFK-27	FP-049	
		070LE-S5A-C	575/1/60	DFK-10	FP-102	DFK-19	FP-097	
		070LE-T3A-C	208-230/3/60	DFK-16	FP-024	DFK-28	FP-016	
		070LE-T4A-C	460/3/60	DFK-14	FP-063	DFK-18	FP-070	
		070LE-T5A-C	575/3/60	DFK-14	FP-066	DFK-18	FP-073	
		084LE-S2A-C	208-230/1/60	DFK-25	FP-109	DFK-34	FP-093	
		084LE-S4A-C	460/1/60	DFK-15	FP-056	DFK-27	FP-049	
		084LE-S5A-C	575/1/60	DFK-10	FP-102	DFK-19	FP-097	
		084LE-T3A-C	208-230/3/60	DFK-16	FP-024	DFK-28	FP-016	
		084LE-T4A-C	460/3/60	DFK-14	FP-063	DFK-18	FP-070	
		084LE-T5A-C	575/3/60	DFK-14	FP-066	DFK-18	FP-073	
		100LE-S2A-C	208-230/1/60	DFK-25	FP-089	DFK-34	FP-087	
		100LE-S4A-C	460/1/60	DFK-15	FP-055	DFK-27	FP-048	
		100LE-S5A-C	575/1/60	DFK-15	FP-060	DFK-27	FP-067	
		100LE-T3A-C	208-230/3/60	DFK-16	FP-057	DFK-28	FP-051	
		100LE-T4A-C	460/3/60	DFK-14	FP-063	DFK-18	FP-070	
		100LE-T5A-C	575/3/60	DFK-14	FP-066	DFK-18	FP-073	

DEFROST KIT AND FUSE PACKAGE SELECTIONS

TEP EXTENDED PROFILE EVAPORATORS (LEGACY MODELS)



MODELS AVAILABLE FOR DOE & NRCAN
AWEF-EXEMPT APPLICATIONS

Models with Standard PSC Motors (cont'd)

Low Temperature, 4 FPI, with standard PSC Motors

TEMP	FPI	# of Fans	Model TEP	Voltage	1 X EVAPORATOR		2 X EVAPORATOR	
					Defrost Kit	Fuse Package	Defrost Kit	Fuse Package
VE - VERY LOW TEMPERATURE	4	1	020VE-S2A-C	208-230/1/60	DFK-10	FP-105	DFK-19	FP-118
			020VE-S4A-C	460/1/60	DFK-10	FP-008	DFK-12	FP-022
			020VE-S5A-C	575/1/60	DFK-10	FP-008	DFK-12	FP-022
			020VE-T3A-C	208-230/3/60	DFK-14	FP-111	DFK-18	FP-122
			020VE-T4A-C	460/3/60	DFK-14	FP-041	DFK-18	FP-042
			020VE-T5A-C	575/3/60	DFK-14	FP-041	DFK-18	FP-042
			024VE-S2A-C	208-230/1/60	DFK-10	FP-105	DFK-19	FP-118
			024VE-S4A-C	460/1/60	DFK-10	FP-008	DFK-12	FP-022
			024VE-S5A-C	575/1/60	DFK-10	FP-008	DFK-12	FP-022
			024VE-T3A-C	208-230/3/60	DFK-14	FP-111	DFK-18	FP-122
			024VE-T4A-C	460/3/60	DFK-14	FP-041	DFK-18	FP-042
			024VE-T5A-C	575/3/60	DFK-14	FP-041	DFK-18	FP-042
		030VE-S2A-C	208-230/1/60	DFK-15	FP-107	DFK-27	FP-119	
		030VE-S4A-C	460/1/60	DFK-10	FP-101	DFK-12	FP-098	
		030VE-S5A-C	575/1/60	DFK-10	FP-100	DFK-12	FP-099	
		030VE-T3A-C	208-230/3/60	DFK-14	FP-113	DFK-23	FP-124	
		030VE-T4A-C	460/3/60	DFK-14	FP-041	DFK-18	FP-042	
		030VE-T5A-C	575/3/60	DFK-14	FP-041	DFK-18	FP-042	
		040VE-S2A-C	208-230/1/60	DFK-15	FP-107	DFK-27	FP-119	
		040VE-S4A-C	460/1/60	DFK-10	FP-101	DFK-12	FP-098	
		040VE-S5A-C	575/1/60	DFK-10	FP-100	DFK-12	FP-099	
		040VE-T3A-C	208-230/3/60	DFK-14	FP-113	DFK-23	FP-124	
		040VE-T4A-C	460/3/60	DFK-14	FP-041	DFK-18	FP-042	
		040VE-T5A-C	575/3/60	DFK-14	FP-041	DFK-18	FP-042	
		048VE-S2A-C	208-230/1/60	DFK-15	FP-107	DFK-27	FP-119	
		048VE-S4A-C	460/1/60	DFK-10	FP-101	DFK-12	FP-098	
		048VE-S5A-C	575/1/60	DFK-10	FP-100	DFK-12	FP-099	
		048VE-T3A-C	208-230/3/60	DFK-14	FP-113	DFK-23	FP-124	
		048VE-T4A-C	460/3/60	DFK-14	FP-041	DFK-18	FP-042	
		048VE-T5A-C	575/3/60	DFK-14	FP-041	DFK-18	FP-042	
		060VE-S2A-C	208-230/1/60	DFK-25	FP-109	DFK-34	FP-093	
		060VE-S4A-C	460/1/60	DFK-15	FP-056	DFK-27	FP-049	
		060VE-S5A-C	575/1/60	DFK-10	FP-102	DFK-19	FP-097	
		060VE-T3A-C	208-230/3/60	DFK-16	FP-024	DFK-28	FP-016	
		060VE-T4A-C	460/3/60	DFK-14	FP-063	DFK-18	FP-070	
		060VE-T5A-C	575/3/60	DFK-14	FP-066	DFK-18	FP-073	
		072VE-S2A-C	208-230/1/60	DFK-25	FP-109	DFK-34	FP-093	
		072VE-S4A-C	460/1/60	DFK-15	FP-056	DFK-27	FP-049	
		072VE-S5A-C	575/1/60	DFK-10	FP-102	DFK-19	FP-097	
		072VE-T3A-C	208-230/3/60	DFK-16	FP-024	DFK-28	FP-016	
		072VE-T4A-C	460/3/60	DFK-14	FP-063	DFK-18	FP-070	
		072VE-T5A-C	575/3/60	DFK-14	FP-066	DFK-18	FP-073	
		088VE-S2A-C	208-230/1/60	DFK-25	FP-089	DFK-34	FP-087	
		088VE-S4A-C	460/1/60	DFK-15	FP-055	DFK-27	FP-048	
		088VE-S5A-C	575/1/60	DFK-15	FP-060	DFK-27	FP-067	
		088VE-T3A-C	208-230/3/60	DFK-16	FP-057	DFK-28	FP-051	
		088VE-T4A-C	460/3/60	DFK-14	FP-063	DFK-18	FP-070	
		088VE-T5A-C	575/3/60	DFK-14	FP-066	DFK-18	FP-073	

DEFROST KIT AND FUSE PACKAGE SELECTIONS

TEP EXTENDED PROFILE EVAPORATORS (LEGACY MODELS)



Models with optional SMARTSPEED™ EC Motors

Medium Temperature, 6 FPI, with opt. SMARTSPEED™ EC Motors

TEMP	FPI	# of Fans	Model TEP	Voltage	1 X EVAPORATOR		2 X EVAPORATOR	
					Defrost Kit	Fuse Package	Defrost Kit	Fuse Package
ME - MEDIUM TEMP.	6	1	026ME-S2A-T	208-230/1/60	DFK-10	FP-105	DFK-19	FP-118
			026ME-T3A-T	208-230/3/60	DFK-14	FP-111	DFK-18	FP-122
		031ME-S2A-T	208-230/1/60	DFK-10	FP-105	DFK-19	FP-118	
		031ME-T3A-T	208-230/3/60	DFK-14	FP-111	DFK-18	FP-122	
		038ME-S2A-T	208-230/1/60	DFK-15	FP-107	DFK-27	FP-119	
		038ME-T3A-T	208-230/3/60	DFK-14	FP-113	DFK-23	FP-124	
	2	052ME-S2A-T	208-230/1/60	DFK-15	FP-107	DFK-27	FP-119	
		052ME-T3A-T	208-230/3/60	DFK-14	FP-113	DFK-23	FP-124	
		062ME-S2A-T	208-230/1/60	DFK-15	FP-107	DFK-27	FP-119	
		062ME-T3A-T	208-230/3/60	DFK-14	FP-113	DFK-23	FP-124	
	3	079ME-S2A-T	208-230/1/60	DFK-25	FP-109	DFK-34	FP-093	
		079ME-T3A-T	208-230/3/60	DFK-16	FP-024	DFK-28	FP-016	
	4	093ME-S2A-T	208-230/1/60	DFK-25	FP-109	DFK-34	FP-093	
		093ME-T3A-T	208-230/3/60	DFK-16	FP-024	DFK-28	FP-016	
	4	115ME-S2A-T	208-230/1/60	DFK-25	FP-092	DFK-36	FP-103	
		115ME-T3A-T	208-230/3/60	DFK-16	FP-023	DFK-30	FP-035	

Low Temperature, 6 FPI, with optional SMARTSPEED™ EC Motors

TEMP	FPI	# of Fans	Model TEP	Voltage	1 X EVAPORATOR		2 X EVAPORATOR	
					Defrost Kit	Fuse Package	Defrost Kit	Fuse Package
LE - LOW TEMPERATURE	6	1	023LE-S2A-T	208-230/1/60	DFK-10	FP-105	DFK-19	FP-118
			023LE-T3A-T	208-230/3/60	DFK-14	FP-111	DFK-18	FP-122
		028LE-S2A-T	208-230/1/60	DFK-10	FP-105	DFK-19	FP-118	
		028LE-T3A-T	208-230/3/60	DFK-14	FP-111	DFK-18	FP-122	
		035LE-S2A-T	208-230/1/60	DFK-15	FP-107	DFK-27	FP-119	
		035LE-T3A-T	208-230/3/60	DFK-14	FP-113	DFK-23	FP-124	
	2	047LE-S2A-T	208-230/1/60	DFK-15	FP-107	DFK-27	FP-119	
		047LE-T3A-T	208-230/3/60	DFK-14	FP-113	DFK-23	FP-124	
		056LE-S2A-T	208-230/1/60	DFK-15	FP-107	DFK-27	FP-119	
		056LE-T3A-T	208-230/3/60	DFK-14	FP-113	DFK-23	FP-124	
	3	070LE-S2A-T	208-230/1/60	DFK-25	FP-109	DFK-34	FP-093	
		070LE-T3A-T	208-230/3/60	DFK-16	FP-024	DFK-28	FP-016	
	4	084LE-S2A-T	208-230/1/60	DFK-25	FP-109	DFK-34	FP-093	
		084LE-T3A-T	208-230/3/60	DFK-16	FP-024	DFK-28	FP-016	
	4	100LE-S2A-T	208-230/1/60	DFK-25	FP-092	DFK-36	FP-103	
		100LE-T3A-T	208-230/3/60	DFK-16	FP-023	DFK-30	FP-035	

Low Temperature, 4 FPI, with optional SMARTSPEED™ EC Motors

TEMP	FPI	# of Fans	Model TEP	Voltage	1 X EVAPORATOR		2 X EVAPORATOR	
					Defrost Kit	Fuse Package	Defrost Kit	Fuse Package
VE - VERY LOW TEMP.	4	1	020VE-S2A-T	208-230/1/60	DFK-10	FP-105	DFK-19	FP-118
			020VE-T3A-T	208-230/3/60	DFK-14	FP-111	DFK-18	FP-122
		024VE-S2A-T	208-230/1/60	DFK-10	FP-105	DFK-19	FP-118	
		024VE-T3A-T	208-230/3/60	DFK-14	FP-111	DFK-18	FP-122	
	2	030VE-S2A-T	208-230/1/60	DFK-15	FP-107	DFK-27	FP-119	
		030VE-T3A-T	208-230/3/60	DFK-14	FP-113	DFK-23	FP-124	
		040VE-S2A-T	208-230/1/60	DFK-15	FP-107	DFK-27	FP-119	
		040VE-T3A-T	208-230/3/60	DFK-14	FP-113	DFK-23	FP-124	
	3	048VE-S2A-T	208-230/1/60	DFK-15	FP-107	DFK-27	FP-119	
		048VE-T3A-T	208-230/3/60	DFK-14	FP-113	DFK-23	FP-124	
		060VE-S2A-T	208-230/1/60	DFK-25	FP-109	DFK-34	FP-093	
		060VE-T3A-T	208-230/3/60	DFK-16	FP-024	DFK-28	FP-016	
	4	072VE-S2A-T	208-230/1/60	DFK-25	FP-109	DFK-34	FP-093	
		072VE-T3A-T	208-230/3/60	DFK-16	FP-024	DFK-28	FP-016	
		088VE-S2A-T	208-230/1/60	DFK-25	FP-092	DFK-36	FP-103	
		088VE-T3A-T	208-230/3/60	DFK-16	FP-023	DFK-30	FP-035	

DEFROST KIT AND FUSE PACKAGE SELECTIONS

TEP EXTENDED PROFILE EVAPORATORS (LEGACY MODELS)



MODELS AVAILABLE FOR DOE & NRCAN
AWEF-EXEMPT APPLICATIONS

Models with Variable Speed EC Motors

Medium Temperature, 6 FPI, with Variable Speed EC Motors

TEMP	FPI	# of Fans	Model TEP	Voltage	1 X EVAPORATOR		2 X EVAPORATOR	
					Defrost Kit	Fuse Package	Defrost Kit	Fuse Package
ME - MEDIUM TEMPERATURE	6	1	026ME-S2A-V	208-230/1/60	DFK-10	FP-105	DFK-19	FP-118
			026ME-S4A-V	460/1/60	DFK-10	FP-008	DFK-12	FP-022
			026ME-T3A-V	208-230/3/60	DFK-14	FP-111	DFK-18	FP-122
			026ME-T4A-V	460/3/60	DFK-14	FP-041	DFK-18	FP-042
			031ME-S2A-V	208-230/1/60	DFK-10	FP-105	DFK-19	FP-118
			031ME-S4A-V	460/1/60	DFK-10	FP-008	DFK-12	FP-022
			031ME-T3A-V	208-230/3/60	DFK-14	FP-111	DFK-18	FP-122
			031ME-T4A-V	460/3/60	DFK-14	FP-041	DFK-18	FP-042
		2	038ME-S2A-V	208-230/1/60	DFK-15	FP-107	DFK-27	FP-119
			038ME-S4A-V	460/1/60	DFK-10	FP-101	DFK-12	FP-098
			038ME-T3A-V	208-230/3/60	DFK-14	FP-113	DFK-23	FP-124
			038ME-T4A-V	460/3/60	DFK-14	FP-041	DFK-18	FP-042
			052ME-S2A-V	208-230/1/60	DFK-15	FP-107	DFK-27	FP-119
			052ME-S4A-V	460/1/60	DFK-10	FP-101	DFK-12	FP-098
			052ME-T3A-V	208-230/3/60	DFK-14	FP-113	DFK-23	FP-124
			052ME-T4A-V	460/3/60	DFK-14	FP-041	DFK-18	FP-042
		3	062ME-S2A-V	208-230/1/60	DFK-15	FP-107	DFK-27	FP-119
			062ME-S4A-V	460/1/60	DFK-10	FP-101	DFK-12	FP-098
			062ME-T3A-V	208-230/3/60	DFK-14	FP-113	DFK-23	FP-124
			062ME-T4A-V	460/3/60	DFK-14	FP-041	DFK-18	FP-042
			079ME-S2A-V	208-230/1/60	DFK-25	FP-109	DFK-34	FP-093
			079ME-S4A-V	460/1/60	DFK-15	FP-056	DFK-27	FP-049
			079ME-T3A-V	208-230/3/60	DFK-16	FP-024	DFK-28	FP-016
			079ME-T4A-V	460/3/60	DFK-14	FP-063	DFK-18	FP-070
		4	093ME-S2A-V	208-230/1/60	DFK-25	FP-109	DFK-34	FP-093
			093ME-S4A-V	460/1/60	DFK-15	FP-056	DFK-27	FP-049
			093ME-T3A-V	208-230/3/60	DFK-16	FP-024	DFK-28	FP-016
			093ME-T4A-V	460/3/60	DFK-14	FP-063	DFK-18	FP-070
115ME-S2A-V	208-230/1/60		DFK-25	FP-092	DFK-36	FP-103		
115ME-S4A-V	460/1/60		DFK-15	FP-055	DFK-27	FP-048		
115ME-T3A-V	208-230/3/60		DFK-16	FP-023	DFK-30	FP-035		
115ME-T4A-V	460/3/60		DFK-14	FP-063	DFK-18	FP-070		

DEFROST KIT AND FUSE PACKAGE SELECTIONS

TEP EXTENDED PROFILE EVAPORATORS (LEGACY MODELS)



MODELS AVAILABLE FOR DOE & NRCAN
AWEF-EXEMPT APPLICATIONS

Models with Variable Speed EC Motors (cont'd)

Low Temperature, 6 FPI, with Variable Speed EC Motors

TEMP	FPI	# of Fans	Model TEP	Voltage	1 X EVAPORATOR		2 X EVAPORATOR	
					Defrost Kit	Fuse Package	Defrost Kit	Fuse Package
LE - LOW TEMPERATURE	6	1	023LE-S2A-V	208-230/1/60	DFK-10	FP-105	DFK-19	FP-118
			023LE-S4A-V	460/1/60	DFK-10	FP-008	DFK-12	FP-022
			023LE-T3A-V	208-230/3/60	DFK-14	FP-111	DFK-18	FP-122
			023LE-T4A-V	460/3/60	DFK-14	FP-041	DFK-18	FP-042
			028LE-S2A-V	208-230/1/60	DFK-10	FP-105	DFK-19	FP-118
			028LE-S4A-V	460/1/60	DFK-10	FP-008	DFK-12	FP-022
			028LE-T3A-V	208-230/3/60	DFK-14	FP-111	DFK-18	FP-122
			028LE-T4A-V	460/3/60	DFK-14	FP-041	DFK-18	FP-042
			035LE-S2A-V	208-230/1/60	DFK-15	FP-107	DFK-27	FP-119
			035LE-S4A-V	460/1/60	DFK-10	FP-101	DFK-12	FP-098
			035LE-T3A-V	208-230/3/60	DFK-14	FP-113	DFK-23	FP-124
			035LE-T4A-V	460/3/60	DFK-14	FP-041	DFK-18	FP-042
		047LE-S2A-V	208-230/1/60	DFK-15	FP-107	DFK-27	FP-119	
		047LE-S4A-V	460/1/60	DFK-10	FP-101	DFK-12	FP-098	
		047LE-T3A-V	208-230/3/60	DFK-14	FP-113	DFK-23	FP-124	
		047LE-T4A-V	460/3/60	DFK-14	FP-041	DFK-18	FP-042	
		056LE-S2A-V	208-230/1/60	DFK-15	FP-107	DFK-27	FP-119	
		056LE-S4A-V	460/1/60	DFK-10	FP-101	DFK-12	FP-098	
		056LE-T3A-V	208-230/3/60	DFK-14	FP-113	DFK-23	FP-124	
		056LE-T4A-V	460/3/60	DFK-14	FP-041	DFK-18	FP-042	
		070LE-S2A-V	208-230/1/60	DFK-25	FP-109	DFK-34	FP-093	
		070LE-S4A-V	460/1/60	DFK-15	FP-056	DFK-27	FP-049	
		070LE-T3A-V	208-230/3/60	DFK-16	FP-024	DFK-28	FP-016	
		070LE-T4A-V	460/3/60	DFK-14	FP-063	DFK-18	FP-070	
		084LE-S2A-V	208-230/1/60	DFK-25	FP-109	DFK-34	FP-093	
		084LE-S4A-V	460/1/60	DFK-15	FP-056	DFK-27	FP-049	
		084LE-T3A-V	208-230/3/60	DFK-16	FP-024	DFK-28	FP-016	
		084LE-T4A-V	460/3/60	DFK-14	FP-063	DFK-18	FP-070	
		100LE-S2A-V	208-230/1/60	DFK-25	FP-092	DFK-36	FP-103	
		100LE-S4A-V	460/1/60	DFK-15	FP-055	DFK-27	FP-048	
		100LE-T3A-V	208-230/3/60	DFK-16	FP-023	DFK-30	FP-035	
		100LE-T4A-V	460/3/60	DFK-14	FP-063	DFK-18	FP-070	

Low Temperature, 4 FPI, with Variable Speed EC Motors

TEMP	FPI	# of Fans	Model TEP	Voltage	1 X EVAPORATOR		2 X EVAPORATOR	
					Defrost Kit	Fuse Package	Defrost Kit	Fuse Package
VE - VERY LOW TEMPERATURE	4	1	020VE-S2A-V	208-230/1/60	DFK-10	FP-105	DFK-19	FP-118
			020VE-S4A-V	460/1/60	DFK-10	FP-008	DFK-12	FP-022
			020VE-T3A-V	208-230/3/60	DFK-14	FP-111	DFK-18	FP-122
			020VE-T4A-V	460/3/60	DFK-14	FP-041	DFK-18	FP-042
			024VE-S2A-V	208-230/1/60	DFK-10	FP-105	DFK-19	FP-118
			024VE-S4A-V	460/1/60	DFK-10	FP-008	DFK-12	FP-022
			024VE-T3A-V	208-230/3/60	DFK-14	FP-111	DFK-18	FP-122
			024VE-T4A-V	460/3/60	DFK-14	FP-041	DFK-18	FP-042
			030VE-S2A-V	208-230/1/60	DFK-15	FP-107	DFK-27	FP-119
			030VE-S4A-V	460/1/60	DFK-10	FP-101	DFK-12	FP-098
			030VE-T3A-V	208-230/3/60	DFK-14	FP-113	DFK-23	FP-124
			030VE-T4A-V	460/3/60	DFK-14	FP-041	DFK-18	FP-042
		040VE-S2A-V	208-230/1/60	DFK-15	FP-107	DFK-27	FP-119	
		040VE-S4A-V	460/1/60	DFK-10	FP-101	DFK-12	FP-098	
		040VE-T3A-V	208-230/3/60	DFK-14	FP-113	DFK-23	FP-124	
		040VE-T4A-V	460/3/60	DFK-14	FP-041	DFK-18	FP-042	
		048VE-S2A-V	208-230/1/60	DFK-15	FP-107	DFK-27	FP-119	
		048VE-S4A-V	460/1/60	DFK-10	FP-101	DFK-12	FP-098	
		048VE-T3A-V	208-230/3/60	DFK-14	FP-113	DFK-23	FP-124	
		048VE-T4A-V	460/3/60	DFK-14	FP-041	DFK-18	FP-042	
		060VE-S2A-V	208-230/1/60	DFK-25	FP-109	DFK-34	FP-093	
		060VE-S4A-V	460/1/60	DFK-15	FP-056	DFK-27	FP-049	
		060VE-T3A-V	208-230/3/60	DFK-16	FP-024	DFK-28	FP-016	
		060VE-T4A-V	460/3/60	DFK-14	FP-063	DFK-18	FP-070	
		072VE-S2A-V	208-230/1/60	DFK-25	FP-109	DFK-34	FP-093	
		072VE-S4A-V	460/1/60	DFK-15	FP-056	DFK-27	FP-049	
		072VE-T3A-V	208-230/3/60	DFK-16	FP-024	DFK-28	FP-016	
		072VE-T4A-V	460/3/60	DFK-14	FP-063	DFK-18	FP-070	
		088VE-S2A-V	208-230/1/60	DFK-25	FP-092	DFK-36	FP-103	
		088VE-S4A-V	460/1/60	DFK-15	FP-055	DFK-27	FP-048	
		088VE-T3A-V	208-230/3/60	DFK-16	FP-023	DFK-30	FP-035	
		088VE-T4A-V	460/3/60	DFK-14	FP-063	DFK-18	FP-070	

DEFROST KIT DETAILS

Defrost Kits

Number of Evaps.	Kit Part Number	Description
1	DFK-01	Time Clock, HtrCont - 1x 40A (3P), FB 1x 30A (1P)
1	DFK-02	Time Clock, HtrCont - 1x 40A (3P), FB 1x 30A (2P)
1	DFK-03	Time Clock, HtrCont - 1x 40A (3P), FB 1x 30A (3P)
1	DFK-04	Time Clock, HtrCont - 1x 40A (3P), FB 1x 60A (2P)
2	DFK-05	Time Clock, HtrCont - 1x 40A (3P), FB 2x 30A (1P)
2	DFK-06	Time Clock, HtrCont - 1x 40A (3P), FB 2x 30A (2P)
2	DFK-07	Time Clock, HtrCont - 1x 40A (3P), FB 2x 30A (3P)
2	DFK-08	Time Clock, HtrCont - 1x 50A (3P), FB 2x 60A (2P)
2	DFK-09	Time Clock, HtrCont - 1x 50A (3P), FB 2x 30A (2P)
1	DFK-10	Time Clock, HtrCont - 1x 40A (3P), FanCont - 1x 40A (3P), FB 2x 30A (2P)
1	DFK-11	Time Clock, HtrCont - 1x 40A (3P), FanCont - 1x 40A (3P), FB 2x 30A (3P)
2	DFK-12	Time Clock, HtrCont - 1x 40A (3P), FanCont - 1x 40A (3P), FB 4x 30A (2P)
2	DFK-13	Time Clock, HtrCont - 1x 40A (3P), FanCont - 1x 40A (3P), FB 4x 30A (3P)
1	DFK-14	Time Clock, HtrCont - 1x 40A (3P), FanCont - 1x 40A (3P), FB 1x 30A (2P), FB 1x 30A (3P)
1	DFK-15	Time Clock, HtrCont - 1x40A (3P), FanCont - 1x 40A (3P), FB 1x 30A (2P), FB 1x 60A (2P)
1	DFK-16	Time Clock, HtrCont - 1x 40A (3P), FanCont - 1x 40A (3P), FB 1x 30A (2P), FB 1x 60A (3P)
1	DFK-17	Time Clock, HtrCont - 1x 40A (3P), FanCont - 1x 40A (3P), FB 1x 30A (3P), FB 1x 60A (3P)
2	DFK-18	Time Clock, HtrCont - 1x 40A (3P), FanCont - 1x 40A (3P), FB 2x 30A (2P), FB 2x 30A (3P)
2	DFK-19	Time Clock, HtrCont - 1x 50A (3P), FanCont - 1x 40A (3P), FB 4x 30A (2P)
2	DFK-20	Time Clock, HtrCont - 1x 50A (3P), FanCont - 1x 40A (3P), FB 4x 30A (3P)
1	DFK-21	Time Clock, HtrCont - 1x 50A (3P), FanCont - 1x 40A (3P), FB 1x 30A (2P), FB 1x 60A (2P)
1	DFK-22	Time Clock, HtrCont - 1x 50A (3P), FanCont - 1x 40A (3P), FB 1x 30A (3P), FB 1x 60A (3P)
2	DFK-23	Time Clock, HtrCont - 1x 50A (3P), FanCont - 1x 40A (3P), FB 2x 30A (2P), FB 2x 30A (3P)
2	DFK-24	Time Clock, HtrCont - 1x 50A (3P), FanCont - 1x 40A (3P), FB 2x 30A (3P), FB 2x 60A (3P)
1	DFK-25	Time Clock, HtrCont - 2x 40A (3P), FanCont - 1x 40A (3P), FB 1x 30A (2P), FB 2x 60A (2P)
1	DFK-26	Time Clock, HtrCont - 2x 40A (3P), FanCont - 1x 40A (3P), FB 1x 30A (3P), FB 2x 60A (3P)
2	DFK-27	Time Clock, HtrCont - 2x 40A (3P), FanCont - 1x 40A (3P), FB 2x 30A (2P), FB 2x 60A (2P)
2	DFK-28	Time Clock, HtrCont - 2x 40A (3P), FanCont - 1x 40A (3P), FB 2x 30A (2P), FB 2x 60A (3P)
2	DFK-29	Time Clock, HtrCont - 2x 40A (3P), FanCont - 1x 40A (3P), FB 2x 30A (3P), FB 2x 60A (3P)
2	DFK-30	Time Clock, HtrCont - 2x 40A (3P), FanCont - 1x 50A (3P), FB 2x 30A (2P), FB 2x 60A (3P)
1	DFK-31	Time Clock, HtrCont - 2x 50A (3P), FanCont - 1x 40A (3P), FB 1x 30A (3P), FB 2x 60A (3P)
2	DFK-32	Time Clock, HtrCont - 2x 50A (3P), FanCont - 1x 40A (3P), FB 2x 30A (2P), FB 2x 60A (2P)
2	DFK-33	Time Clock, HtrCont - 2x 50A (3P), FanCont - 1x 40A (3P), FB 2x 30A (3P), FB 2x 60A (3P)
2	DFK-34	Time Clock, HtrCont - 4x 40A (3P), FanCont - 1x 40A (3P), FB 2x 30A (2P), FB 4x 60A (2P)
2	DFK-35	Time Clock, HtrCont - 4x 40A (3P), FanCont - 1x 40A (3P), FB 2x 30A (3P), FB 4x 60A (3P)
2	DFK-36	Time Clock, HtrCont - 4x 40A (3P), FanCont - 1x 50A (3P), FB 2x 30A (2P), FB 4x 60A (2P)
2	DFK-37	Time Clock, HtrCont - 4x 40A (3P), FanCont - 1x 50A (3P), FB 2x 30A (3P), FB 4x 60A (3P)
2	DFK-38	Time Clock, HtrCont - 4x 50A (3P), FanCont - 1x 50A (3P), FB 2x 30A (3P), FB 4x 60A (3P)
1	DFK-39	Time Clock, HtrCont1 - 1x 40A (3P), HtrCont2 - 2x 50A (3P), FanCont - 1x 40A (3P), FB 4x 60A (3P)

NOTE: HtrCont = Heater Contactor, FanCont = Fan Contactor, FB = Fuse Block, (1P), (2P), (3P) = Number of Poles

FUSE PACKAGE DETAILS

Fuse Packages

Package Part Number	Description
FP-001	FUSES (1) 15AMP
FP-002	FUSES (1) 20AMP
FP-003	FUSES (1) 25AMP
FP-004	FUSES (2) 15AMP
FP-006	FUSES (2) 20AMP
FP-007	FUSES (2) 25AMP
FP-008	FUSES (4) 15AMP
FP-010	FUSES (4) 25AMP
FP-012	FUSES (2) 35AMP
FP-013	FUSES (3) 15AMP
FP-014	FUSES (3) 20AMP
FP-015	FUSES (4) 20AMP
FP-016	FUSES (4) 20AMP (6) 45AMP
FP-017	FUSES (4) 35AMP
FP-018	FUSES (6) 15AMP
FP-019	FUSES (6) 20AMP
FP-020	FUSES (2) 30AMP
FP-021	FUSES (4) 30AMP
FP-022	FUSES (8) 15AMP
FP-023	FUSES (2) 25AMP (3) 50AMP
FP-024	FUSES (2) 20AMP (3) 45AMP
FP-025	FUSES (6) 20AMP (6) 60AMP
FP-026	FUSES (6) 15AMP (12) 40AMP
FP-027	FUSES (6) 15AMP (6) 40AMP
FP-028	FUSES (6) 20AMP (12) 40AMP
FP-029	FUSES (6)15AMP (6) 50AMP
FP-030	FUSES (6) 15AMP (6) 45AMP
FP-031	FUSES (6) 15AMP (6) 35AMP
FP-032	FUSES (6) 15AMP (6) 30AMP
FP-033	FUSES (6) 25AMP (12) 50AMP
FP-034	FUSES (6) 20AMP (12) 35AMP
FP-035	FUSES (4) 25AMP (6) 50AMP
FP-036	FUSES (6) 25AMP (12) 60AMP
FP-037	FUSES (6) 20AMP (12) 60AMP
FP-038	FUSES (6) 20AMP (12) 50AMP
FP-039	FUSES (6) 20AMP (12) 45AMP
FP-040	FUSES (6) 15AMP (12) 45AMP
FP-041	FUSES (5) 15AMP
FP-042	FUSES (10) 15AMP
FP-043	FUSES (3) 25AMP (6) 60AMP
FP-044	FUSES (3) 20AMP (6) 60AMP
FP-045	FUSES (3) 20AMP (6) 50AMP
FP-046	FUSES (3) 25AMP (6) 45AMP
FP-047	FUSES (3) 15AMP (6) 45AMP
FP-048	FUSES (4) 15AMP (4) 45AMP
FP-049	FUSES (4) 15AMP (4) 40AMP
FP-050	FUSES (3) 15AMP (3) 60AMP
FP-051	FUSES (4) 20AMP (6) 50AMP
FP-052	FUSES (4) 15AMP (6) 45AMP
FP-053	FUSES (4) 15AMP (6) 30AMP
FP-054	FUSES (3)15AMP (6) 35AMP
FP-055	FUSES (2) 15AMP (2) 45AMP
FP-056	FUSES (2) 15AMP (2) 40AMP
FP-057	FUSES (2) 20AMP (3) 50AMP
FP-058	FUSES (2) 15AMP (3) 45AMP
FP-059	FUSES (2) 15AMP (3) 30AMP
FP-060	FUSES (2) 15AMP (2) 35AMP
FP-061	FUSES (2) 15AMP (2) 50AMP
FP-062	FUSES (2) 15AMP (2) 60AMP
FP-063	FUSES (2) 15AMP (3) 25AMP
FP-064	FUSES (2) 15AMP (3) 35AMP
FP-065	FUSES (2) 15AMP (3) 40AMP

Package Part Number	Description
FP-066	FUSES (2) 15AMP (3) 20AMP
FP-067	FUSES (4) 15AMP (4) 35AMP
FP-068	FUSES (4) 15AMP (4) 50AMP
FP-069	FUSES (4) 15AMP (4) 60AMP
FP-070	FUSES (4) 15AMP (6) 25AMP
FP-071	FUSES (4) 15AMP (6) 35AMP
FP-072	FUSES (4) 15AMP (6) 40AMP
FP-073	FUSES (4) 15AMP (6) 20AMP
FP-074	FUSES (3) 20AMP (3) 60AMP
FP-075	FUSES (3) 20AMP (6) 35AMP
FP-076	FUSES (3) 25AMP (6) 50AMP
FP-077	FUSES (3) 35AMP (9) 45AMP
FP-078	FUSES (3) 15AMP (3) 35AMP
FP-079	FUSES (3)15AMP (3) 45AMP
FP-080	FUSES (3) 15AMP (3) 50AMP
FP-081	FUSES (3) 20AMP (6) 40AMP
FP-082	FUSES (3) 15AMP (3) 40AMP
FP-083	FUSES (3) 15AMP (6) 40AMP
FP-084	FUSES (6) 15AMP (6) 60AMP
FP-085	FUSES (6) 15AMP (12) 35AMP
FP-086	FUSES (3) 35AMP (3) 45AMP (6) 60AMP
FP-087	FUSES (4) 20AMP (4) 40AMP (4) 50AMP
FP-088	FUSES (4) 15AMP (4) 35AMP (4) 40AMP
FP-089	FUSES (2) 20AMP (2) 40AMP (2) 50AMP
FP-090	FUSES (2) 15AMP (2) 35AMP (2) 40AMP
FP-091	FUSES (2) 20AMP (2) 35AMP (2) 40AMP
FP-092	FUSES (2) 25AMP (2) 40AMP (2) 50AMP
FP-093	FUSES (4) 20AMP (4) 35AMP (4) 40AMP
FP-094	FUSES (6) 15AMP (6) 25AMP
FP-095	FUSES (3) 15AMP (3) 25AMP
FP-096	FUSES (3) 15AMP (3) 30AMP
FP-097	FUSES (4) 15AMP (4) 30AMP
FP-098	FUSES (4) 15AMP (4) 25AMP
FP-099	FUSES (4) 15AMP (4) 20AMP
FP-100	FUSES (2) 15AMP (2) 20AMP
FP-101	FUSES (2) 15AMP (2) 25AMP
FP-102	FUSES (2) 15AMP (2) 30AMP
FP-103	FUSES (4) 25AMP (4) 40AMP (4) 50AMP
FP-104	FUSES (7) 45AMP (5) 15AMP
FP-105	FUSES (2) 20AMP (2) 30AMP
FP-106	FUSES (2) 20AMP (2) 35AMP
FP-107	FUSES (2) 20AMP (2) 50AMP
FP-108	FUSES (2) 20AMP (2) 60AMP
FP-109	FUSES (2) 20AMP (2) 35AMP (2) 40AMP
FP-110	FUSES (2) 20AMP (3) 15AMP
FP-111	FUSES (5) 20AMP
FP-112	FUSES (2) 20AMP (3) 25AMP
FP-113	FUSES (2) 20AMP (3) 30AMP
FP-114	FUSES (2) 20AMP (3) 35AMP
FP-115	FUSES (2) 20AMP (3) 40AMP
FP-116	FUSES (8) 20AMP
FP-117	FUSES (4) 20AMP (4) 35AMP
FP-118	FUSES (4) 20AMP (4) 30AMP
FP-119	FUSES (4) 20AMP (4) 50AMP
FP-120	FUSES (4) 20AMP (4) 60AMP
FP-121	FUSES (4) 20AMP (6) 15AMP
FP-122	FUSES (10) 20AMP
FP-123	FUSES (4) 20AMP (6) 25AMP
FP-124	FUSES (4) 20AMP (6) 30AMP
FP-125	FUSES (4) 20AMP (6) 35AMP
FP-126	FUSES (4) 20AMP (6) 40AMP

NOTE: FUSES 30AMP and Below - Class CC Type,
FUSES 35AMP and Above - Class J Type

NOTES

PRODUCT SUPPORT RESOURCES



PRODUCT SUPPORT

web: www.t-rp.com/tep
email: evaps@t-rp.com
call: 1-844-893-3222 x520



TROUBLESHOOTING

email: troubleshooting@t-rp.com
call: 1-844-893-3222 x529



SERVICE PARTS

web: www.t-rp.com/parts
email: parts@t-rp.com
call: 1-844-893-3222 x520



WARRANTY

web: www.t-rp.com/warranty
email: warranty@t-rp.com
call: 1-844-893-3222 x507



ORDERS

email: orders@t-rp.com
call: 1-844-893-3222 x501



SHIPPING

email: shipping@t-rp.com
call: 1-844-893-3222 x503



Trenton Refrigeration
Brantford, ON • Longview, TX
1-800-463-9517 info@t-rp.com www.t-rp.com

