



Vertical Air Discharge Condensing Units

Technical Guide

Models LDV | LDVS | LDD | LDDS



Table of Contents

Nomenclature.....	2
Floating Tube.....	3
intelliGen™/Beacon II™.....	4
Adjustable Head Pressure Control.....	5
Features & Benefits.....	6
Electrical Box Features.....	7
Single Compressor Models	
Performance Data.....	8-23
Medium Temperature.....	8-11
R-404A/R-507A.....	8
R-407A/R-407F.....	9
R-407C.....	10
R-448A/R-449A.....	11
Low Temperature.....	12-15
R-404A/R-507A.....	12
R-407A/R-407F.....	13
R-407C.....	14
R-448A/R-449A.....	15
High Temperature - High Efficiency Models with Oversized Condensers.....	16-19
R-404A/R-507A.....	16
R-407A/ R-407F.....	17
R-407C.....	18
R-448A/R-449A.....	19
Low Temperature - High Efficiency Models with Oversized Condensers.....	20-23
R-404A/R-507A.....	20
R-407A/ R-407F.....	21
R-407C.....	22
R-448A/R-449A.....	23
Electrical Data.....	24-27
Unit Specifications.....	28-29
AWEF Ratings.....	28-29
Dual Compressor Models	
Performance Data.....	30-37
Medium Temperature.....	30-33
R-404A/R-507A.....	30
R-407A/ R-407F.....	31
R-407C.....	32
R-448A/R-449A.....	33
Low Temperature.....	34-37
R-404A/R-507A.....	34
R-407A/ R-407F.....	35
R-407C.....	36
R-448A/R-449A.....	37
Electrical Data.....	38
Unit Specifications.....	39
AWEF Ratings.....	39



Nomenclature - Single Compressor

LDV	1200		L	6	K
Model	Horsepower		Temperature	Refrigerant	Voltage
LDV - Adjustable Head Pressure Control	1200/1201 - 12 HP	2600 - 25 HP	L - Low Temp	6 = R-404A, R-507A	C = 208-230/3/60
LDVS - intelliGen™/ Beacon II™	1500/1501 - 15 HP	2700/2701 - 27 HP	M - Med. Temp	R-407A, R-407C	D = 460/3/60
	2000/2001 - 20 HP	3000/3001 - 30 HP	H - High Temp	R-407F, R-448A	K = 230/3/60
	2200/2201 - 22 HP	3500/3501 - 35 HP		R-449A	E = 575/3/60
	2500/2501 - 25 HP	4000/4001 - 40 HP			

Nomenclature - Dual Compressor

LDD	2400		L	6	C	PP
Model	Horsepower		Temperature	Refrigerant	Voltage	Parallel Piped†
LDD - Adjustable Head Pressure Control	2400 - 24 HP	5400 - 54 HP	L - Low Temp	6 = R-404A, R-507A	C = 208-230/3/60	- = Standard
LDDS - intelliGen™/ Beacon II™	3000 - 30 HP	6000 - 60 HP	M - Med. Temp	R-407A, R-407C	D = 460/3/60	PP= Parallel Piped
	4000 - 40 HP	7000 - 70 HP		R-407F, R-448A	K = 230/3/60	
	4400 - 44 HP	8000 - 80 HP		R-449A	E = 575/3/60	
	5000 - 50 HP					

† = Not available with intelliGen™/Beacon II™ Systems

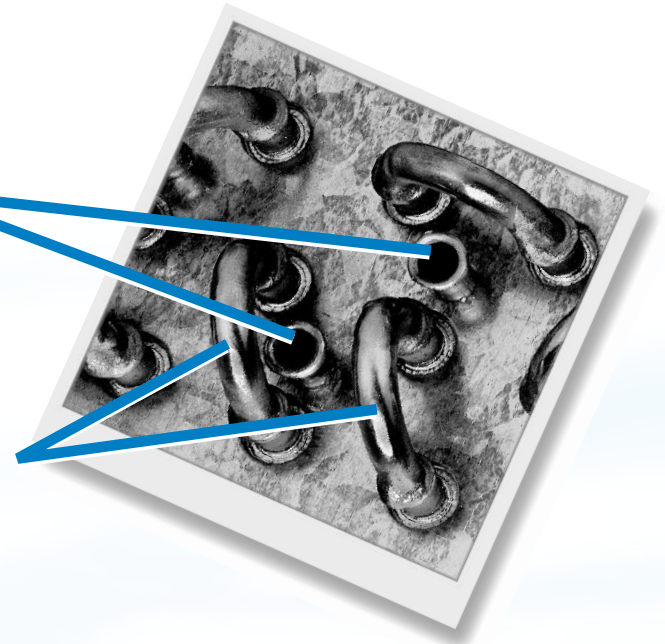
The Single And Dual Compressor Vertical Air Discharge Condensing Units Feature Our Floating Tube™ Coil Design

Expanded (Locked) Auxiliary Tubes:

These tubes support the coil with fins and refrigerant carrying tubes. They do not carry refrigerant and are tightly fitted on end supports and center supports.

Free Floating Circuited Coil Tubes:

These tubes carry refrigerant and never touch the sheet metal end supports or center supports.



All LDV, LDVS, LDD and LDDS units include a limited Five Year Warranty against condenser leaks at tube sheets and center supports.

All condensers use the Floating Tube™ coil design to eliminate refrigerant leaks at the tube sheets. Additional tubes are added to the condenser coil. These tubes are expanded into the aluminum fins and condenser tube sheets. These anchor tubes support the weight of the coil, but are not a part of the refrigerant circuit.

The tubes in the refrigerant circuit are expanded into the fins, but “float” through oversized holes in the tube sheets. Tube sheet leaks are virtually eliminated, since the tubes which carry refrigerant never come in contact with the tube sheet.

The **intelliGen™ Refrigeration Controller** is a factory-mounted electronic control that delivers reliable operation and system performance. intelliGen helps reduce product spoilage by maintaining better temperature control and provides energy savings through optimizing defrosts.

Intuitive Design

The user interface design allows the operator to immediately know when and where there is a problem and provides the contractor a user-friendly interface to install and service the unit.

Simple Setup

System configuration quickly guides technicians through each step.

- Guided quick setup.
- No wiring between condensing unit and unit cooler, when controlling unit cooler only.
- Components factory mounted, tested, and calibrated.

Smart Servicing

Reduce diagnosis, service and downtime with intuitive user interface.

Remote Monitoring Capability

Field installable optional intelliGen Webserver Card (iWC) enables local and remote monitoring on any phone, tablet or laptop

- Optional intelliGen Integration Card (iIC) allows connection with Building Management System (BMS)

RECEIVE ALERTS BY



Web



BMS



Text (SMS)



E-mail



Adjustable Head Pressure Control

The Need For Head Pressure Control

Refrigeration condensing units must efficiently perform at varying ambient conditions. A properly sized unit will adequately perform at even the highest summer ambient temperatures. However, in situations where the system must operate the majority of the time at less than design temperature, a means of providing adequate head pressure for refrigerant flow is desirable. The LDV & LDD units have an adjustable head pressure method of head pressure control.

Larkin's energy efficient low ambient head pressure control system provides year round control of refrigerant head pressure without the use of special refrigerant expansion valves.

Larkin's head pressure control combines the benefits of refrigerant subcooling and reduced discharged pressure during mild ambient conditions. As the ambient temperature falls, the receiver pressure is allowed to fall to a minimum of 75°F saturated condensing pressure. The reduced discharge pressure at the compressor increases the compressor capacity and lowers the input watts from the compressor motor. Head pressure control also uses the reduced ambient temperature to subcool the liquid refrigerant in the condenser. This subcooled liquid also increases system capacity. As a general rule, every one degree of subcooling results in a 0.50% increase in system capacity. Together these result in greater efficiency, greater capacity, and reduced run time.

Benefits

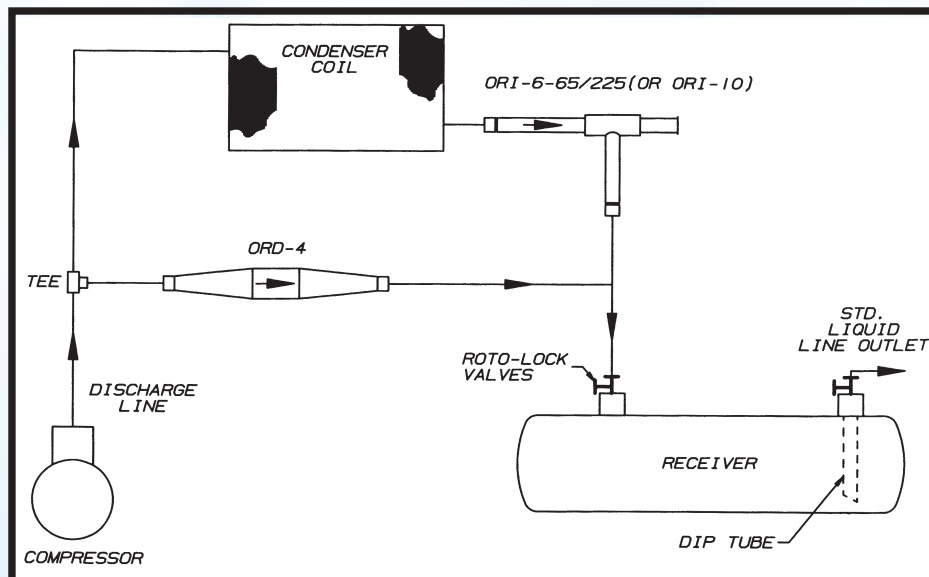
- Automatic year-round control of refrigerant head pressure without the use of special expansion valves
- Energy savings in mild ambient conditions due to reduced compressor discharge pressure and refrigerant subcooling
- Provides easy restart during low ambient conditions

Operation

As the ambient temperature falls, the system condensing pressure is also reduced. This pressure is maintained by a regulator (ORI-6-65/225) at the condenser drain. At approximately 75°F saturated condensing pressure the regulator restricts the flow of liquid refrigerant from the condenser causing the condenser to flood. This condenser flooding allows the liquid refrigerant in the condenser to become subcooled by the ambient air flowing through the condenser. As the regulator continues to flood the condenser, a pressure differential will be established between the receiver and the compressor discharge. At a predescribed differential, a second valve (ORD-4) will open and allow discharge gas from the compressor to bypass the condenser and flow into the top of the receiver. This gas is used to pressurize the receiver.

Both the inlet and outlet tubes of the receiver have dip tubes which are immersed in liquid refrigerant. The liquid in the receiver acts as an insulator from the vapor area of the receiver. This unique design minimizes the contact of the hot gas used to pressurize the receiver through the ORD-4 valve. This allows bypass vapor to pressurize the receiver while reheat of the subcooled liquid is minimized.

Subcooled liquid is further enhanced by the routing of liquid from the receiver liquid line outlet to the condenser before leaving the condensing unit.



Features & Benefits

The 12-40 HP single compressor vertical condensing units and 24-80 HP dual compressor vertical condensing units are designed to meet the needs of a demanding commercial and industrial refrigeration market. The product is configured to be flexible in its design and construction to allow it to respond to the requirements of refrigeration contractors, consulting engineers and facility owners/operators. The Floating Tube™ coil design incorporated in the product provides reliability against tube sheet leaks.

Cabinet & Construction

- All units feature the Floating Tube™ coil which eliminates tube sheet leaks
- Painted steel cabinet for superior strength and corrosion resistance
- Dual compressor models available in standard or parallel-piped configurations

Serviceability

- Manual pumpdown switch on all units
- Convenient access panels to easily service internal components
- Large electrical panel to facilitate ease of access

Energy Efficiency

- California Title 24 compliant when configured with available engineered-to-order options. Consult your Heatcraft Representative for applicable model specific options.

Quality

- Sight glass is easily viewable
- Fixed high and adjustable low pressure switch
- Refrigeration duty, rifled copper condenser tubing
- Piping is laid out to minimize stress and vibration and is pre-bent to eliminate braze joints, where possible, to reduce leak potential
- All joints are sweat type connections, no mechanical joints to leak
- Separate subcooling circuit in condenser for added capacity and vapor free liquid
- Pressure relief valve on receiver
- ServiceMate™ diagnostic module standard on all non-Beacon II™ condensing units

Components

Compressor

- Spring-mounted compressors with suction and discharge eliminators
- Receivers are sized for sufficient pumpdown capacity with inlet and outlet service valves

Motor

- Single compressor models available with Variable Speed EC (VSEC) Motors

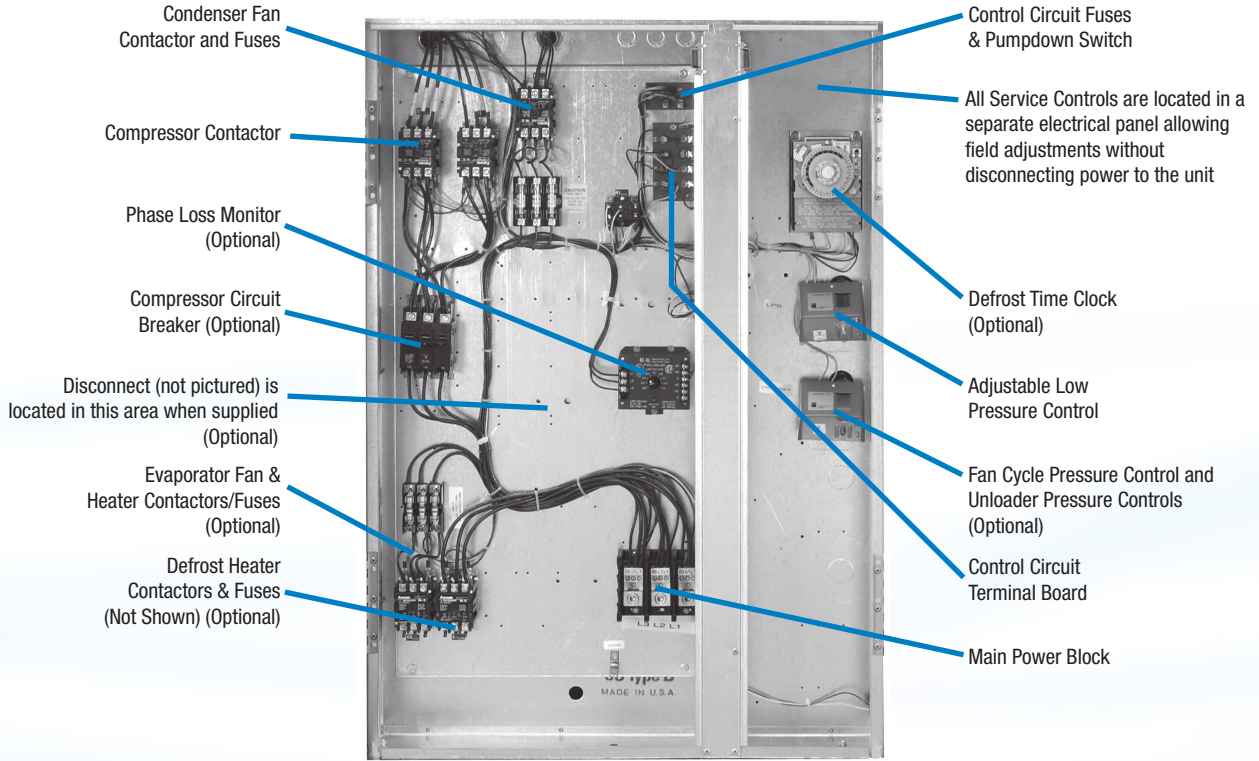
Other

- Sight glass and permanent liquid line filter

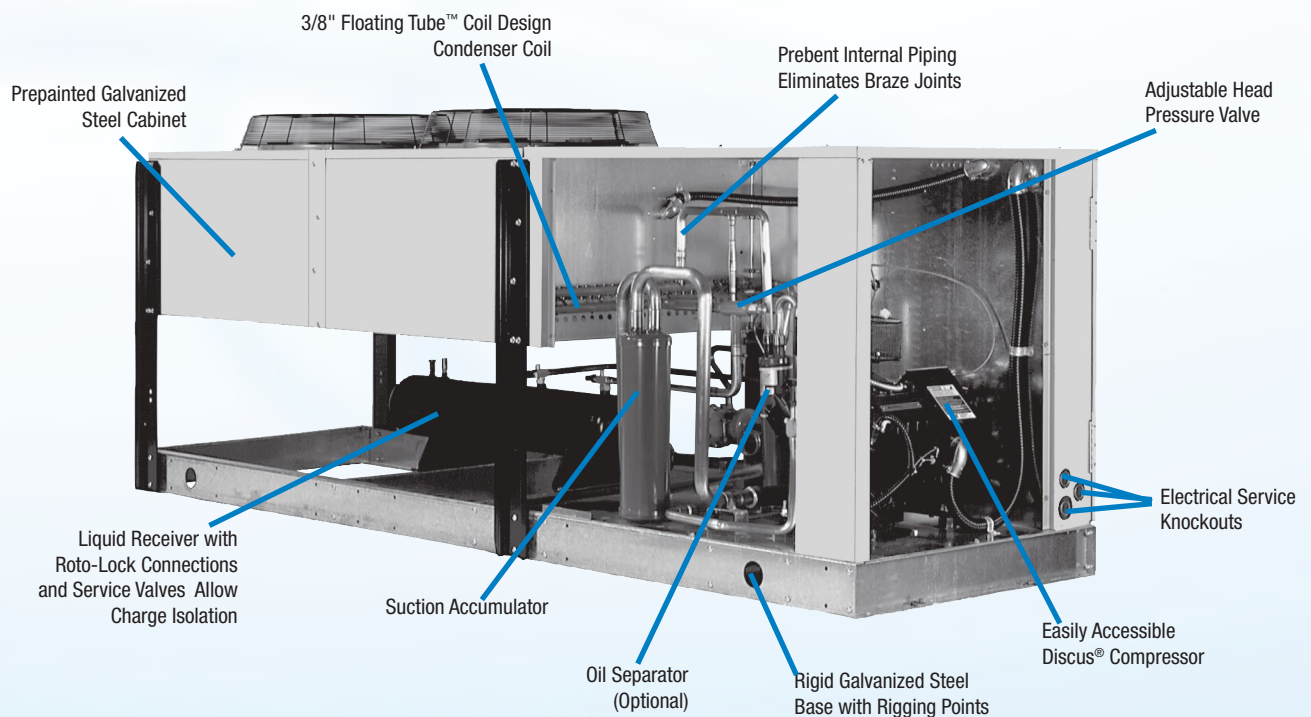


Electrical Box Features

Single Compressor



Internal Piping



PERFORMANCE DATA: STANDARD MODELS

Medium Temperature R-404A/R-507A

Model	Compressor	Capacity BTUH @ 90°F Ambient by SST							
		30°F	25°F	20°F	15°F	10°F	0°F	-5°F	-10°F
L*V1500M6	3DS3R17ME	159,000	147,700	135,600	124,000	114,000	92,500	82,500	73,300
L*V2000M6	4DBNR20ME	201,300	184,700	168,700	153,100	138,300	111,500	100,200	90,400
L*V2500M6	4DHNR22ME	-	193,700	176,900	161,100	147,700	120,900	109,400	99,500
L*V2600M6	4DHNR22ME	216,900	199,300	181,900	165,100	153,400	124,800	112,600	102,100
L*V3000M6	4DJNR28ME	261,100	240,800	220,900	201,200	183,900	147,900	131,400	116,200
L*V3500M6	6DHNR35ME	331,000	306,000	280,100	255,500	234,600	189,300	168,500	149,300
L*V4000M6	6DJNR40ME	381,300	353,700	324,700	296,900	273,300	222,800	199,700	178,400

Model	Compressor	Capacity BTUH @ 95°F Ambient by SST							
		30°F	25°F	20°F	15°F	10°F	0°F	-5°F	-10°F
L*V1500M6	3DS3R17ME	152,100	141,400	129,900	118,700	109,200	88,500	78,900	69,900
L*V2000M6	4DBNR20ME	191,800	175,900	160,700	146,100	131,700	106,100	95,300	86,100
L*V2500M6	4DHNR22ME	-	185,400	169,500	154,000	141,000	115,200	104,200	94,700
L*V2600M6	4DHNR22ME	207,900	190,800	174,100	157,900	146,500	118,900	107,200	97,200
L*V3000M6	4DJNR28ME	250,100	229,900	210,900	191,800	175,500	141,100	125,200	110,700
L*V3500M6	6DHNR35ME	315,600	292,600	268,500	244,100	223,900	180,300	160,000	141,300
L*V4000M6	6DJNR40ME	364,900	338,600	310,600	283,900	261,100	212,500	190,200	169,600

Model	Compressor	Capacity BTUH @ 100°F Ambient by SST							
		30°F	25°F	20°F	15°F	10°F	0°F	-5°F	-10°F
L*V1500M6	3DS3R17ME	145,200	135,200	124,200	113,500	104,500	84,500	75,200	66,500
L*V2000M6	4DBNR20ME	181,800	167,200	152,700	138,900	125,100	100,900	90,600	81,800
L*V2500M6	4DHNR22ME	-	177,100	161,500	146,800	134,200	109,500	98,900	89,900
L*V2600M6	4DHNR22ME	198,600	182,400	166,300	150,700	139,600	113,000	101,800	92,200
L*V3000M6	4DJNR28ME	238,400	219,900	201,300	182,600	167,200	134,200	119,000	105,200
L*V3500M6	6DHNR35ME	300,900	279,100	255,600	232,700	214,600	171,200	151,500	133,400
L*V4000M6	6DJNR40ME	348,500	323,400	296,500	271,000	250,500	202,200	180,600	160,900

Model	Compressor	Capacity BTUH @ 110°F Ambient by SST							
		30°F	25°F	20°F	15°F	10°F	0°F	-5°F	-10°F
L*V1500M6	3DS3R17ME	131,500	122,400	112,800	103,100	95,000	76,600	68,100	60,000
L*V2000M6	4DBNR20ME	162,700	149,800	137,300	124,600	112,300	90,500	81,200	73,300
L*V2500M6	4DHNR22ME	-	160,200	146,100	132,300	121,000	98,300	88,700	80,600
L*V2600M6	4DHNR22ME	180,400	165,400	150,700	136,200	125,700	101,400	91,100	82,600
L*V3000M6	4DJNR28ME	214,000	197,800	181,100	164,500	150,500	120,700	107,000	94,700
L*V3500M6	6DHNR35ME	272,100	252,200	230,900	210,000	192,300	153,300	135,000	117,800
L*V4000M6	6DJNR40ME	316,500	293,200	268,600	244,700	224,900	182,000	162,300	144,000

NOTES:
 * = L*V = LDV is Adjustable Head Pressure Control, LDVS is IntelliGen™/Beacon II™
 For 50 cycle capacity, multiply values by .86

PERFORMANCE DATA: STANDARD MODELS

Medium Temperature R-407A/R-407F

Model	Compressor	Capacity BTUH @ 90°F Ambient by SST							
		30°F	25°F	20°F	15°F	10°F	0°F	-5°F	-10°F
L*V1500M6	3DS3R17ME	161,900	146,570	131,880	117,980	104,880	81,650	71,660	62,930
L*V2000M6	4DBNR20ME	195,700	178,430	161,940	146,530	131,610	104,680	92,390	80,910
L*V2500M6	4DHNR22ME	219,240	199,520	180,640	163,130	146,400	116,120	102,420	89,610
L*V2600M6	4DHNR22ME	225,350	204,700	184,830	166,280	148,970	117,640	103,600	90,520
L*V3000M6	4DJNR28ME	273,680	248,140	223,840	200,970	179,100	139,240	121,040	103,960
L*V3500M6	6DHNR35ME	335,470	304,980	275,510	247,320	220,870	173,190	152,510	134,230
L*V4000M6	6DJNR40ME	397,050	362,890	331,500	301,420	272,050	211,830	179,750	145,110

Model	Compressor	Capacity BTUH @ 95°F Ambient by SST							
		30°F	25°F	20°F	15°F	10°F	0°F	-5°F	-10°F
L*V1500M6	3DS3R17ME	155,470	140,810	126,560	113,410	100,740	78,210	68,500	59,870
L*V2000M6	4DBNR20ME	187,440	170,990	155,230	140,250	126,180	100,380	88,510	77,430
L*V2500M6	4DHNR22ME	210,080	191,120	173,460	156,450	140,430	111,340	98,150	85,800
L*V2600M6	4DHNR22ME	216,200	196,430	177,400	159,470	143,030	112,870	99,340	86,780
L*V3000M6	4DJNR28ME	262,420	237,950	214,510	192,870	171,880	133,770	116,420	100,180
L*V3500M6	6DHNR35ME	323,820	294,550	266,190	239,020	213,430	166,950	146,720	128,700
L*V4000M6	6DJNR40ME	381,220	349,680	319,390	290,280	261,530	201,910	169,660	134,600

Model	Compressor	Capacity BTUH @ 100°F Ambient by SST							
		30°F	25°F	20°F	15°F	10°F	0°F	-5°F	-10°F
L*V1500M6	3DS3R17ME	149,020	135,000	121,470	108,840	96,610	74,760	65,280	56,780
L*V2000M6	4DBNR20ME	179,200	163,500	148,480	134,330	120,710	95,870	84,550	73,880
L*V2500M6	4DHNR22ME	200,890	182,870	165,980	149,740	134,250	106,470	93,790	81,900
L*V2600M6	4DHNR22ME	206,990	188,120	169,910	152,800	136,900	108,020	95,000	82,900
L*V3000M6	4DJNR28ME	250,940	227,600	205,310	184,430	164,550	128,310	111,850	96,490
L*V3500M6	6DHNR35ME	312,050	284,020	256,740	230,630	205,760	160,640	140,800	123,030
L*V4000M6	6DJNR40ME	366,310	335,970	306,960	278,900	250,860	191,800	159,430	124,180

Model	Compressor	Capacity BTUH @ 110°F Ambient by SST							
		30°F	25°F	20°F	15°F	10°F	0°F	-5°F	-10°F
L*V1500M6	3DS3R17ME	136,230	123,570	111,260	99,580	88,340	67,860	58,830	50,610
L*V2000M6	4DBNR20ME	—	148,450	134,810	122,020	109,620	86,870	76,420	66,560
L*V2500M6	4DHNR22ME	—	166,150	150,870	136,120	122,270	96,550	84,860	73,920
L*V2600M6	4DHNR22ME	188,420	171,310	154,770	139,310	124,640	98,130	86,180	74,900
L*V3000M6	4DJNR28ME	227,480	206,460	186,540	167,560	149,710	117,380	102,810	89,310
L*V3500M6	6DHNR35ME	288,220	262,580	237,390	213,520	190,230	147,600	128,560	111,270
L*V4000M6	6DJNR40ME	335,060	307,880	281,380	255,390	228,970	171,370	139,180	103,550

NOTES:

L*V = LDV is Adjustable Head Pressure Control
For 50 cycle capacity, multiply values by .86

LOW SUCTION TEMPERATURE APPLICATIONS IN THESE RANGES REQUIRE THE ADDITION OF A HEAD FAN

PERFORMANCE DATA: STANDARD MODELS

Medium Temperature R-407C

Model	Compressor	Capacity BTUH @ 90°F Ambient by SST							
		30°F	25°F	20°F	15°F	10°F	0°F	-5°F	-10°F
L*V1500M6	3DS3R17ME	146,990	132,830	119,380	106,860	95,080	74,120	64,780	56,240
L*V2000M6	4DBNR20ME	174,960	158,080	141,960	126,550	111,120	81,050	65,600	49,590
L*V2500M6	4DHNR22ME	199,350	180,310	162,130	145,030	128,820	100,380	88,120	77,190
L*V2600M6	4DHNR22ME	204,570	184,360	165,260	147,260	130,450	101,380	88,880	77,800
L*V3000M6	4DJNR28ME	244,200	219,910	197,130	176,000	156,620	121,900	106,160	91,200
L*V3500M6	6DHNR35ME	293,270	263,670	236,870	212,230	189,550	147,620	127,040	105,770
L*V4000M6	6DJNR40ME	355,670	318,120	283,790	255,060	229,060	181,350	156,080	127,390

Model	Compressor	Capacity BTUH @ 95°F Ambient by SST							
		30°F	25°F	20°F	15°F	10°F	0°F	-5°F	-10°F
L*V1500M6	3DS3R17ME	142,240	128,580	115,640	103,370	91,930	71,200	61,850	53,240
L*V2000M6	4DBNR20ME	167,870	151,710	136,210	121,410	106,720	77,950	63,220	47,980
L*V2500M6	4DHNR22ME	190,830	172,880	155,660	139,420	124,010	96,470	84,410	73,420
L*V2600M6	4DHNR22ME	195,770	176,690	158,620	141,490	125,510	97,450	85,140	74,080
L*V3000M6	4DJNR28ME	234,300	211,190	189,690	169,790	151,350	117,810	102,290	87,310
L*V3500M6	6DHNR35ME	282,540	254,220	228,570	204,970	183,020	141,970	121,520	100,210
L*V4000M6	6DJNR40ME	335,680	300,470	269,220	241,930	218,250	175,060	151,990	125,400

Model	Compressor	Capacity BTUH @ 100°F Ambient by SST							
		30°F	25°F	20°F	15°F	10°F	0°F	-5°F	-10°F
L*V1500M6	3DS3R17ME	137,510	124,290	111,770	99,770	88,570	67,990	58,670	50,020
L*V2000M6	4DBNR20ME	160,980	145,490	130,630	116,450	102,410	75,060	61,070	46,620
L*V2500M6	4DHNR22ME	182,610	165,710	149,590	133,980	119,340	92,630	80,740	69,740
L*V2600M6	4DHNR22ME	187,250	169,480	152,040	135,940	120,800	93,570	81,450	70,370
L*V3000M6	4DJNR28ME	224,440	202,700	182,620	163,860	146,300	113,870	98,540	83,540
L*V3500M6	6DHNR35ME	271,500	244,390	220,160	197,400	176,140	135,990	115,670	94,350
L*V4000M6	6DJNR40ME	314,950	282,130	253,530	228,860	207,630	169,590	149,150	125,220

Model	Compressor	Capacity BTUH @ 110°F Ambient by SST							
		30°F	25°F	20°F	15°F	10°F	0°F	-5°F	-10°F
L*V1500M6	3DS3R17ME	127,890	115,550	103,540	92,210	81,320	60,980	51,620	42,660
L*V2000M6	4DBNR20ME	147,700	133,550	120,140	107,140	94,530	69,980	57,520	44,710
L*V2500M6	4DHNR22ME	167,230	152,320	137,910	123,860	110,410	85,390	73,770	62,690
L*V2600M6	4DHNR22ME	171,260	155,510	140,220	125,580	111,780	86,150	74,370	63,290
L*V3000M6	4DJNR28ME	205,920	187,210	169,430	152,760	136,860	106,470	91,500	76,450
L*V3500M6	6DHNR35ME	249,060	224,820	202,280	181,380	161,660	123,090	103,050	81,850
L*V4000M6	6DJNR40ME	273,040	244,640	221,530	203,220	187,700	161,790	147,960	130,600

NOTES:

L*V = LDV is Adjustable Head Pressure Control

For 50 cycle capacity, multiply values by .86

LOW SUCTION TEMPERATURE APPLICATIONS IN THESE RANGES REQUIRE THE ADDITION OF A HEAD FAN

PERFORMANCE DATA: STANDARD MODELS

Medium Temperature R-448A/R-449A

Model	Compressor	Capacity BTUH @ 90°F Ambient by SST							
		30°F	25°F	20°F	15°F	10°F	0°F	-5°F	-10°F
L*V1500M6	3DS3R17ME	159,460	144,520	130,100	116,670	103,830	80,900	70,900	62,000
L*V2000M6	4DBNR20ME	195,170	177,750	161,220	145,310	130,250	102,950	90,550	79,120
L*V2500M6	4DHNR22ME	218,030	198,480	179,470	161,540	144,600	113,950	100,200	87,490
L*V2600M6	4DHNR22ME	222,960	202,280	182,490	163,810	146,540	115,060	101,050	88,170
L*V3000M6	4DJNR28ME	270,080	244,940	220,730	198,070	176,110	135,740	117,240	99,740
L*V3500M6	6DHNR35ME	331,040	300,770	271,410	243,320	216,740	169,030	148,480	130,420
L*V4000M6	6DJNR40ME	393,850	357,710	322,620	289,080	257,390	200,660	176,400	155,260

Model	Compressor	Capacity BTUH @ 95°F Ambient by SST							
		30°F	25°F	20°F	15°F	10°F	0°F	-5°F	-10°F
L*V1500M6	3DS3R17ME	153,730	139,370	125,560	112,600	100,150	77,870	68,080	59,330
L*V2000M6	4DBNR20ME	187,520	170,870	155,090	139,790	125,300	98,920	87,020	75,970
L*V2500M6	4DHNR22ME	209,710	190,970	172,720	155,480	139,050	109,620	96,340	84,040
L*V2600M6	4DHNR22ME	214,940	194,830	175,780	157,820	141,180	110,770	97,220	84,760
L*V3000M6	4DJNR28ME	260,050	235,820	212,480	190,470	169,350	130,330	112,450	95,530
L*V3500M6	6DHNR35ME	320,790	291,590	263,200	235,960	210,170	163,520	143,310	125,450
L*V4000M6	6DJNR40ME	381,450	346,690	312,880	280,380	249,620	194,260	170,450	149,600

Model	Compressor	Capacity BTUH @ 100°F Ambient by SST							
		30°F	25°F	20°F	15°F	10°F	0°F	-5°F	-10°F
L*V1500M6	3DS3R17ME	147,950	134,230	120,990	108,510	96,470	74,800	65,240	56,620
L*V2000M6	4DBNR20ME	179,910	163,980	148,660	134,200	120,270	94,870	83,390	72,720
L*V2500M6	4DHNR22ME	201,280	183,110	165,870	149,310	133,540	105,180	92,360	80,480
L*V2600M6	4DHNR22ME	206,570	187,290	168,980	151,740	135,580	106,350	93,280	81,240
L*V3000M6	4DJNR28ME	249,670	226,370	203,970	182,720	162,380	124,830	107,520	91,210
L*V3500M6	6DHNR35ME	310,380	282,220	254,850	228,540	203,380	157,860	137,970	120,310
L*V4000M6	6DJNR40ME	369,020	335,610	302,960	271,510	241,700	187,720	164,350	143,790

Model	Compressor	Capacity BTUH @ 110°F Ambient by SST							
		30°F	25°F	20°F	15°F	10°F	0°F	-5°F	-10°F
L*V1500M6	3DS3R17ME	136,500	124,000	111,870	100,200	89,060	68,650	59,500	51,190
L*V2000M6	4DBNR20ME	-	149,950	136,200	122,770	109,950	86,510	75,870	66,020
L*V2500M6	4DHNR22ME	184,160	167,620	151,880	136,690	122,290	96,000	84,120	73,130
L*V2600M6	4DHNR22ME	189,550	171,890	155,090	139,330	124,310	97,250	85,180	73,900
L*V3000M6	4DJNR28ME	228,030	206,650	186,250	166,510	147,760	113,220	97,240	82,220
L*V3500M6	6DHNR35ME	289,000	263,140	237,620	213,180	189,420	146,040	126,820	109,630
L*V4000M6	6DJNR40ME	343,610	312,790	282,620	253,350	225,300	174,090	151,630	131,720

NOTES:

L*V = LDV is Adjustable Head Pressure Control

For 50 cycle capacity, multiply values by .86

LOW SUCTION TEMPERATURE APPLICATIONS IN THESE RANGES REQUIRE THE ADDITION OF A HEAD FAN

PERFORMANCE DATA: STANDARD MODELS

Low Temperature R-404A/R-507

Model	Compressor	Capacity BTUH @ 90°F Ambient by SST					
		0°F	-10°F	-15°F	-20°F	-30°F	-40°F
L*V1200L6	4DBNF54KE	101,400	81,800	73,100	64,900	49,800	35,500
L*V1500L6	4DHNF63KE	111,700	92,400	83,400	74,600	58,200	44,100
L*V2200L6	4DJNF76KE	130,900	110,300	99,400	89,000	69,400	51,900
L*V2700L6	6DHNF93KE	167,000	138,300	123,500	110,400	85,000	63,700
L*V3000L6	6DJNF11ME	187,900	155,600	139,000	124,300	96,000	72,600

Model	Compressor	Capacity BTUH @ 95°F Ambient by SST					
		0°F	-10°F	-15°F	-20°F	-30°F	-40°F
L*V1200L6	4DBNF54KE	97,100	78,400	70,000	62,100	47,600	33,000
L*V1500L6	4DHNF63KE	105,300	88,100	79,400	70,900	55,100	41,500
L*V2200L6	4DJNF76KE	124,200	104,300	94,200	84,200	65,300	48,100
L*V2700L6	6DHNF93KE	158,100	130,900	118,100	104,800	80,200	59,200
L*V3000L6	6DJNF11ME	178,900	147,200	132,600	117,700	90,300	67,600

Model	Compressor	Capacity BTUH @ 100°F Ambient by SST					
		0°F	-10°F	-15°F	-20°F	-30°F	-40°F
L*V1200L6	4DBNF54KE	92,800	74,900	66,800	59,100	44,600	30,500
L*V1500L6	4DHNF63KE	100,800	83,900	75,500	67,300	52,000	38,700
L*V2200L6	4DJNF76KE	117,900	99,100	89,000	79,400	61,100	44,300
L*V2700L6	6DHNF93KE	150,400	124,400	112,100	99,300	75,300	54,700
L*V3000L6	6DJNF11ME	169,900	140,300	125,600	111,220	84,500	62,200

Model	Compressor	Capacity BTUH @ 110°F Ambient by SST					
		0°F	-10°F	-15°F	-20°F	-30°F	-40°F
L*V1200L6	4DBNF54KE	-	67,600	60,100	52,900	39,000	25,100
L*V1500L6	4DHNF63KE	90,300	75,400	67,700	60,200	45,800	33,300
L*V2200L6	4DJNF76KE	104,800	87,500	79,100	70,300	53,000	36,700
L*V2700L6	6DHNF93KE	135,300	112,300	100,200	88,300	65,700	45,700
L*V3000L6	6DJNF11ME	151,200	125,200	111,700	98,400	73,200	51,400

NOTES:
 L*V = LDV is Adjustable Head Pressure Control, LDVS is IntelliGen™/Beacon II™
 All units will work in 120°F ambient
 For 50 cycle capacity, multiply values by .86

PERFORMANCE DATA: STANDARD MODELS

Low Temperature† R-407A/R-407F - Demand Cooling is required for all applications

Model	Compressor	Capacity BTUH @ 90°F Ambient by SST					
		0°F	-10°F	-15°F	-20°F	-30°F	-40°F
L*V1200L6	4DBNF54KE	94,480	74,230	64,700	55,680	39,500	25,890
L*V1500L6	4DHNF63KE	108,390	86,540	76,180	66,370	48,590	33,590
L*V2200L6	4DJNF76KE	137,410	106,680	92,890	80,370	59,560	44,670
L*V2700L6	6DHNF93KE	160,690	125,220	109,470	94,690	67,940	43,420
L*V3000L6	6DJNF11ME	195,220	152,760	133,510	115,460	82,820	52,800

Model	Compressor	Capacity BTUH @ 95°F Ambient by SST					
		0°F	-10°F	-15°F	-20°F	-30°F	-40°F
L*V1200L6	4DBNF54KE	90,030	70,650	61,470	52,740	37,040	23,790
L*V1500L6	4DHNF63KE	103,650	82,620	72,670	63,190	46,000	31,440
L*V2200L6	4DJNF76KE	131,450	101,620	88,290	76,260	56,490	42,690
L*V2700L6	6DHNF93KE	153,550	119,310	103,980	89,620	63,570	39,590
L*V3000L6	6DJNF11ME	186,410	145,400	126,810	109,170	77,410	48,050

Model	Compressor	Capacity BTUH @ 100°F Ambient by SST					
		0°F	-10°F	-15°F	-20°F	-30°F	-40°F
L*V1200L6	4DBNF54KE	85,710	66,990	58,100	49,740	34,470	21,570
L*V1500L6	4DHNF63KE	98,960	78,690	69,090	59,940	43,330	29,210
L*V2200L6	4DJNF76KE	125,230	96,500	83,600	72,080	53,350	40,600
L*V2700L6	6DHNF93KE	146,210	113,130	98,250	84,290	58,960	35,510
L*V3000L6	6DJNF11ME	177,340	137,770	119,600	102,600	71,690	42,980

Model	Compressor	Capacity BTUH @ 110°F Ambient by SST					
		0°F	-10°F	-15°F	-20°F	-30°F	-40°F
L*V1200L6	4DBNF54KE	76,800	59,320	51,170	43,330	29,010	16,800
L*V1500L6	4DHNF63KE	89,420	70,690	61,810	53,420	37,920	24,600
L*V2200L6	4DJNF76KE	112,530	85,800	74,030	63,650	46,850	36,130
L*V2700L6	6DHNF93KE	130,900	100,130	86,100	73,140	49,010	26,550
L*V3000L6	6DJNF11ME	158,510	121,720	104,610	88,840	59,400	31,850

NOTES:

L*V = LDV is Adjustable Head Pressure Control
 † = Demand Cooling is required for operation at Low Temperature Applications
 For 50 cycle capacity, multiply values by .86

PERFORMANCE DATA: STANDARD MODELS

Low Temperature† R-407C - Demand Cooling is required for all applications

Model	Compressor	Capacity BTUH @ 90°F Ambient by SST					
		0°F	-10°F	-15°F	-20°F	-30°F	-40°F
L*V1200L6	4DBNF54KE	83,090	63,160	54,420	46,400	32,530	21,280
L*V1500L6	4DHNF63KE	95,520	73,570	64,010	55,240	40,080	27,560
L*V2200L6	4DJNF76KE	112,390	85,510	74,490	64,700	47,900	32,930
L*V2700L6	6DHNF93KE	140,760	108,850	93,800	79,790	54,930	35,890
L*V3000L6	6DJNF11ME	166,580	128,610	110,840	94,490	65,620	43,020

Model	Compressor	Capacity BTUH @ 95°F Ambient by SST					
		0°F	-10°F	-15°F	-20°F	-30°F	-40°F
L*V1200L6	4DBNF54KE	79,720	60,400	51,820	44,010	30,440	19,410
L*V1500L6	4DHNF63KE	91,860	70,450	61,150	52,620	37,840	25,650
L*V2200L6	4DJNF76KE	108,280	82,430	71,700	62,190	45,780	31,060
L*V2700L6	6DHNF93KE	135,480	104,270	89,610	75,750	51,230	32,130
L*V3000L6	6DJNF11ME	159,980	123,050	105,780	89,690	61,300	38,860

Model	Compressor	Capacity BTUH @ 100°F Ambient by SST					
		0°F	-10°F	-15°F	-20°F	-30°F	-40°F
L*V1200L6	4DBNF54KE	76,280	57,460	49,120	41,490	28,230	17,460
L*V1500L6	4DHNF63KE	87,970	67,260	58,220	49,900	35,490	23,620
L*V2200L6	4DJNF76KE	104,070	79,120	68,730	59,500	43,490	29,000
L*V2700L6	6DHNF93KE	130,090	99,550	85,200	71,480	47,330	28,330
L*V3000L6	6DJNF11ME	153,320	117,270	100,510	84,610	56,790	34,530

Model	Compressor	Capacity BTUH @ 110°F Ambient by SST					
		0°F	-10°F	-15°F	-20°F	-30°F	-40°F
L*V1200L6	4DBNF54KE	68,940	51,220	43,320	36,010	23,490	13,170
L*V1500L6	4DHNF63KE	80,070	60,630	52,040	44,180	30,500	19,190
L*V2200L6	4DJNF76KE	94,730	71,650	61,890	53,210	38,120	24,100
L*V2700L6	6DHNF93KE	119,160	90,040	76,140	62,780	42,760	24,730
L*V3000L6	6DJNF11ME	139,880	105,770	89,710	74,340	47,400	25,370

NOTES:

L*V = LDV is Adjustable Head Pressure Control
 † = Demand Cooling is required for operation at Low Temperature Applications
 For 50 cycle capacity, multiply values by .86

PERFORMANCE DATA: STANDARD MODELS

Low Temperature† R-448A/R-449A - Demand Cooling is required for all applications

Model	Compressor	Capacity BTUH @ 90°F Ambient by SST					
		0°F	-10°F	-15°F	-20°F	-30°F	-40°F
L*V1200L6	4DBNF54KE	93,160	72,761	63,320	54,500	39,130	26,940
L*V1500L6	B*V1200L6	106,930	84,852	74,550	64,970	48,290	35,350
L*V2200L6	4DJNF76KE	134,740	104,273	91,200	79,370	58,340	38,430
L*V2700L6	6DHNF93KE	159,280	123,274	107,420	92,850	67,470	45,890
L*V3000L6	6DJNF11ME	193,710	150,356	131,110	113,300	82,120	54,900

Model	Compressor	Capacity BTUH @ 95°F Ambient by SST					
		0°F	-10°F	-15°F	-20°F	-30°F	-40°F
L*V1200L6	4DBNF54KE	89,110	69,466	60,300	51,740	36,760	24,800
L*V1500L6	4DHNF63KE	102,590	81,268	71,300	62,020	45,840	33,240
L*V2200L6	4DJNF76KE	129,310	99,717	86,920	75,350	54,730	35,090
L*V2700L6	6DHNF93KE	152,690	117,863	102,320	88,120	63,300	42,050
L*V3000L6	6DJNF11ME	185,550	143,533	124,890	107,390	76,860	50,050

Model	Compressor	Capacity BTUH @ 100°F Ambient by SST					
		0°F	-10°F	-15°F	-20°F	-30°F	-40°F
L*V1200L6	4DBNF54KE	85,070	66,039	57,170	48,920	34,280	22,510
L*V1500L6	4DHNF63KE	98,210	77,605	68,010	59,010	43,320	31,060
L*V2200L6	4DJNF76KE	123,850	94,985	82,580	71,360	51,060	31,730
L*V2700L6	6DHNF93KE	145,890	112,092	96,970	83,240	58,880	37,950
L*V3000L6	6DJNF11ME	177,120	136,411	118,090	101,180	71,320	44,790

Model	Compressor	Capacity BTUH @ 110°F Ambient by SST					
		0°F	-10°F	-15°F	-20°F	-30°F	-40°F
L*V1200L6	4DBNF54KE	76,770	58,888	50,680	42,880	28,990	17,680
L*V1500L6	4DHNF63KE	89,390	70,202	61,260	52,900	38,150	26,550
L*V2200L6	4DJNF76KE	112,840	85,608	73,820	63,130	43,620	24,910
L*V2700L6	6DHNF93KE	131,560	99,796	85,550	72,600	49,260	—
L*V3000L6	6DJNF11ME	159,450	121,180	103,940	88,110	59,390	—

NOTES:
 L*V=LDV is Adjustable Head Pressure Control
 † = Demand Cooling is required for operation at Low Temperature Applications
 For 50 cycle capacity, multiply values by .86

PERFORMANCE DATA: HIGH EFFICIENCY MODELS

High Temperature R-404A/R-507

Model	Compressor	Capacity BTUH @ 90°F Ambient by SST					
		40°F	35°F	30°F	25°F	20°F	15°F
L*V1501H6	3DS3R17ME	196,190	182,850	169,550	156,350	142,960	129,800
L*V2001H6	4DBNR20ME	250,300	231,900	213,700	195,100	177,300	160,100
L*V2501H6	4DHNR22ME	270,120	249,720	229,680	210,070	190,970	172,000
L*V3001H6	4DJNR28ME	320,940	299,070	276,660	254,250	232,010	210,150
L*V3501H6†	6DHNR35ME	405,680	377,320	349,540	321,910	294,350	267,160
L*V4001H6†	6DJNR40ME	462,780	431,770	400,470	369,160	338,070	307,580

Model	Compressor	Capacity BTUH @ 95°F Ambient by SST					
		40°F	35°F	30°F	25°F	20°F	15°F
L*V1501H6	3DS3R17ME	187,260	174,670	162,100	149,600	136,850	124,290
L*V2001H6	4DBNR20ME	238,800	221,200	203,700	186,000	169,000	152,600
L*V2501H6	4DHNR22ME	258,420	239,140	219,940	201,030	182,610	164,900
L*V3001H6	4DJNR28ME	306,860	285,660	264,260	242,830	221,530	200,620
L*V3501H6†	6DHNR35ME	387,500	360,570	334,330	307,860	281,420	255,280
L*V4001H6†	6DJNR40ME	443,100	413,390	383,350	353,210	323,370	294,040

Model	Compressor	Capacity BTUH @ 100°F Ambient by SST					
		40°F	35°F	30°F	25°F	20°F	15°F
L*V1501H6	3DS3R17ME	178,350	166,700	155,020	142,870	130,760	118,790
L*V2001H6	4DBNR20ME	227,200	210,400	193,900	177,100	160,800	145,200
L*V2501H6	4DHNR22ME	247,190	228,660	210,190	192,000	174,260	157,210
L*V3001H6	4DJNR28ME	292,280	272,190	251,780	231,370	211,090	131,120
L*V3501H6†	6DHNR35ME	368,860	344,090	319,060	293,770	268,460	243,390
L*V4001H6†	6DJNR40ME	423,350	394,830	366,170	337,300	308,680	280,530

Model	Compressor	Capacity BTUH @ 110°F Ambient by SST					
		40°F	35°F	30°F	25°F	20°F	15°F
L*V1501H6	3DS3R17ME	161,300	150,900	139,880	129,470	118,640	107,870
L*V2001H6	4DBNR20ME	203,900	189,500	174,300	159,400	144,700	130,900
L*V2501H6	4DHNR22ME	224,680	207,690	190,710	173,900	157,570	141,860
L*V3001H6	4DJNR28ME	262,960	245,320	227,020	208,610	190,280	172,900
L*V3501H6†	6DHNR35ME	332,890	310,920	288,380	265,100	242,480	219,620
L*V4001H6†	6DJNR40ME	383,640	357,840	331,750	305,510	279,360	253,560

NOTES:
 L*V = LDV is Adjustable Head Pressure Control, LDVS is IntelliGen™/Beacon II™
 † = L*V3501H6 and L*V4001H6 are special order items
 All units will work in 120°F ambient
 For 50 cycle capacity, multiply values by .86

PERFORMANCE DATA: HIGH EFFICIENCY MODELS

High Temperature R-407A/R-407F

Model	Compressor	Capacity BTUH @ 90°F Ambient by SST					
		40°F	35°F	30°F	25°F	20°F	15°F
L*V1501H6	3DS3R17ME	205,830	187,410	169,730	152,810	136,800	121,840
L*V2001H6	4DBNR20ME	258,510	235,350	213,340	192,740	173,290	155,350
L*V2501H6	4DHNR22ME	291,920	264,930	239,820	215,920	193,850	173,460
L*V3001H6	4DJNR28ME	344,330	313,640	284,890	257,210	231,130	206,640
L*V3501H6†	6DHNR35ME	431,160	392,610	355,790	320,650	287,460	256,500
L*V4001H6†	6DJNR40ME	507,450	460,850	418,520	379,900	344,650	312,020

Model	Compressor	Capacity BTUH @ 95°F Ambient by SST					
		40°F	35°F	30°F	25°F	20°F	15°F
L*V1501H6	3DS3R17ME	197,590	179,990	163,140	146,950	131,590	117,190
L*V2001H6	4DBNR20ME	248,300	226,040	204,880	185,110	166,510	149,260
L*V2501H6	4DHNR22ME	280,500	254,700	230,540	207,600	186,390	166,770
L*V3001H6	4DJNR28ME	330,850	301,550	273,890	247,190	222,030	198,540
L*V3501H6†	6DHNR35ME	416,110	379,240	343,820	309,960	278,010	248,120
L*V4001H6†	6DJNR40ME	487,980	443,700	403,550	366,780	332,910	301,220

Model	Compressor	Capacity BTUH @ 100°F Ambient by SST					
		40°F	35°F	30°F	25°F	20°F	15°F
L*V1501H6	3DS3R17ME	189,170	172,790	156,570	141,080	126,360	112,520
L*V2001H6	4DBNR20ME	237,910	216,590	196,300	177,580	159,630	143,150
L*V2501H6	4DHNR22ME	269,040	244,240	221,040	199,230	178,850	160,010
L*V3001H6	4DJNR28ME	317,200	289,130	262,370	236,920	212,820	190,330
L*V3501H6†	6DHNR35ME	400,990	365,860	331,850	299,380	268,600	239,720
L*V4001H6†	6DJNR40ME	467,730	426,650	388,350	353,200	320,720	290,110

Model	Compressor	Capacity BTUH @ 110°F Ambient by SST					
		40°F	35°F	30°F	25°F	20°F	15°F
L*V1501H6	3DS3R17ME	173,150	158,080	143,490	129,410	115,950	103,220
L*V2001H6	4DBNR20ME	217,040	197,810	179,520	162,110	145,890	130,760
L*V2501H6	4DHNR22ME	252,855	230,735	209,215	188,955	169,935	152,150
L*V3001H6	4DJNR28ME	288,670	263,660	238,910	215,800	193,980	173,540
L*V3501H6†	6DHNR35ME	371,090	339,120	308,060	278,150	249,650	222,730
L*V4001H6†	6DJNR40ME	427,860	391,460	357,010	325,480	295,670	267,050

NOTES:

L*V = LDV is Adjustable Head Pressure Control
 † = L*V3501H6 and L*V4001H6 are special order items
 For 50 cycle capacity, multiply values by .86

PERFORMANCE DATA: HIGH EFFICIENCY MODELS

High Temperature R-407C

Model	Compressor	Capacity BTUH @ 90°F Ambient by SST					
		40°F	35°F	30°F	25°F	20°F	15°F
L*V1501H6	3DS3R17ME	184,770	167,720	151,580	136,460	122,270	109,120
L*V2001H6	4DBNR20ME	231,220	209,280	188,560	169,200	150,830	133,460
L*V2501H6	4DHNR22ME	269,120	243,130	217,910	194,590	172,800	152,890
L*V3001H6	4DJNR28ME	314,450	283,450	254,060	227,100	202,520	180,030
L*V3501H6†	6DHNR35ME	388,690	346,470	308,530	274,830	244,900	218,340
L*V4001H6†	6DJNR40ME	498,560	437,930	384,680	339,330	300,620	267,630

Model	Compressor	Capacity BTUH @ 95°F Ambient by SST					
		40°F	35°F	30°F	25°F	20°F	15°F
L*V1501H6	3DS3R17ME	178,530	162,250	146,760	132,210	118,490	105,720
L*V2001H6	4DBNR20ME	222,090	200,950	181,140	162,330	144,630	127,930
L*V2501H6	4DHNR22ME	256,260	231,850	208,280	186,370	165,840	146,970
L*V3001H6	4DJNR28ME	299,570	270,620	243,250	217,940	194,820	173,540
L*V3501H6†	6DHNR35ME	374,410	334,160	297,990	265,760	237,110	211,530
L*V4001H6†	6DJNR40ME	472,100	415,320	365,170	322,320	285,750	254,710

Model	Compressor	Capacity BTUH @ 100°F Ambient by SST					
		40°F	35°F	30°F	25°F	20°F	15°F
L*V1501H6	3DS3R17ME	172,520	156,870	141,970	127,950	114,660	102,230
L*V2001H6	4DBNR20ME	213,200	192,660	173,780	155,540	138,550	122,590
L*V2501H6	4DHNR22ME	243,870	221,050	198,970	178,390	159,020	141,150
L*V3001H6	4DJNR28ME	285,930	258,450	232,840	209,310	187,440	167,350
L*V3501H6†	6DHNR35ME	359,920	321,750	287,210	256,500	229,050	204,410
L*V4001H6†	6DJNR40ME	446,110	391,650	345,090	304,650	270,640	241,800

Model	Compressor	Capacity BTUH @ 110°F Ambient by SST					
		40°F	35°F	30°F	25°F	20°F	15°F
L*V1501H6	3DS3R17ME	160,520	146,180	132,450	119,260	106,710	94,790
L*V2001H6	4DBNR20ME	195,700	176,830	159,130	142,620	127,140	112,490
L*V2501H6	4DHNR22ME	227,425	206,135	186,210	167,710	150,360	134,110
L*V3001H6	4DJNR28ME	259,150	235,440	213,290	192,800	173,580	155,730
L*V3501H6†	6DHNR35ME	330,610	296,160	265,030	237,120	212,000	189,210
L*V4001H6†	6DJNR40ME	389,250	342,540	301,450	267,030	238,480	215,000

NOTES:
 L*V = LDV is Adjustable Head Pressure Control
 † = L*V3501H6 and L*V4001H6 are special order items
 For 50 cycle capacity, multiply values by .86

PERFORMANCE DATA: HIGH EFFICIENCY MODELS

High Temperature R-448A/R-449A

Model	Compressor	Capacity BTUH @ 90°F Ambient by SST					
		40°F	35°F	30°F	25°F	20°F	15°F
L*V1501H6	3DS3R17ME	199,640	182,280	165,300	149,110	133,770	119,400
L*V2001H6	4DBNR20ME	253,010	230,550	209,140	188,860	169,850	152,130
L*V2501H6	4DHNR22ME	283,940	258,150	233,800	210,620	189,070	169,080
L*V3001H6	4DJNR28ME	334,860	305,820	278,100	251,350	226,020	202,090
L*V3501H6†	6DHNR35ME	415,750	379,660	344,590	310,920	278,930	248,940
L*V4001H6†	6DJNR40ME	489,970	448,190	407,380	367,850	330,140	294,680

Model	Compressor	Capacity BTUH @ 95°F Ambient by SST					
		40°F	35°F	30°F	25°F	20°F	15°F
L*V1501H6	3DS3R17ME	192,500	175,880	159,550	143,980	129,210	115,340
L*V2001H6	4DBNR20ME	243,940	222,310	201,530	182,210	163,820	146,720
L*V2501H6	4DHNR22ME	273,960	249,050	225,490	203,280	182,500	163,190
L*V3001H6	4DJNR28ME	323,370	295,370	268,530	242,590	218,060	194,840
L*V3501H6†	6DHNR35ME	403,070	368,290	334,410	301,870	270,860	241,740
L*V4001H6†	6DJNR40ME	474,740	434,690	395,170	357,010	320,510	286,090

Model	Compressor	Capacity BTUH @ 100°F Ambient by SST					
		40°F	35°F	30°F	25°F	20°F	15°F
L*V1501H6	3DS3R17ME	185,380	169,460	153,780	138,840	124,630	111,240
L*V2001H6	4DBNR20ME	234,640	213,950	194,060	175,480	157,700	141,220
L*V2501H6	4DHNR22ME	263,680	239,990	217,260	195,870	175,830	157,200
L*V3001H6	4DJNR28ME	311,470	284,300	258,410	233,490	209,740	187,350
L*V3501H6†	6DHNR35ME	390,360	356,910	324,220	292,780	262,760	234,490
L*V4001H6†	6DJNR40ME	459,580	421,030	382,950	346,120	310,820	277,470

Model	Compressor	Capacity BTUH @ 110°F Ambient by SST					
		40°F	35°F	30°F	25°F	20°F	15°F
L*V1501H6	3DS3R17ME	171,150	156,500	142,280	128,550	115,420	102,990
L*V2001H6	4DBNR20ME	216,060	197,050	178,710	161,520	145,220	130,000
L*V2501H6	4DHNR22ME	243,300	221,580	200,480	180,730	162,180	144,890
L*V3001H6	4DJNR28ME	286,290	261,440	237,390	214,350	192,360	171,570
L*V3501H6†	6DHNR35ME	364,790	333,990	303,740	274,440	246,310	219,700
L*V4001H6†	6DJNR40ME	428,870	393,440	358,310	324,110	291,190	259,860

NOTES:

L*V=LDV is Adjustable Head Pressure Control

† = B*V3501H6 and B*V4001H6 are special order items

For 50 cycle capacity, multiply values by .86

PERFORMANCE DATA: HIGH EFFICIENCY MODELS

Low Temperature R-404A/R-507

Model	Compressor	Capacity BTUH @ 90°F Ambient by SST					
		0°F	-10°F	-15°F	-20°F	-30°F	-40°F
L*V1201L6	4DBNF54KE	106,000	84,700	75,400	66,700	51,000	36,300
L*V1501L6	4DHNF63KE	115,220	95,600	86,020	76,720	59,610	45,060
L*V2201L6	4DJNF76KE	137,620	114,060	102,840	91,630	71,180	53,270
L*V2701L6	6DHNF93KE	178,040	145,620	129,580	114,240	87,910	66,000
L*V3001L6	6DJNF11ME	196,300	161,650	143,700	127,400	98,390	74,820

Model	Compressor	Capacity BTUH @ 95°F Ambient by SST					
		0°F	-10°F	-15°F	-20°F	-30°F	-40°F
L*V1201L6	4DBNF54KE	101,700	81,300	72,300	63,900	48,400	33,800
L*V1501L6	4DHNF63KE	109,810	91,120	81,620	72,890	56,350	42,330
L*V2201L6	4DJNF76KE	129,270	108,150	97,420	86,870	66,890	49,360
L*V2701L6	6DHNF93KE	168,760	137,830	123,370	108,440	82,880	61,360
L*V3001L6	6DJNF11ME	186,800	152,400	136,160	120,850	92,270	69,270

Model	Compressor	Capacity BTUH @ 100°F Ambient by SST					
		0°F	-10°F	-15°F	-20°F	-30°F	-40°F
L*V1201L6	4DBNF54KE	97,300	77,800	69,100	60,900	45,800	31,300
L*V1501L6	4DHNF63KE	104,430	86,600	77,700	69,090	53,120	39,510
L*V2201L6	4DJNF76KE	122,200	102,270	91,730	81,680	62,620	45,470
L*V2701L6	6DHNF93KE	159,390	131,100	116,120	102,810	77,880	56,760
L*V3001L6	6DJNF11ME	177,640	144,640	128,850	114,140	86,580	63,790

Model	Compressor	Capacity BTUH @ 110°F Ambient by SST					
		0°F	-10°F	-15°F	-20°F	-30°F	-40°F
L*V1201L6	4DBNF54KE	88,300	70,500	62,400	54,800	40,200	25,800
L*V1501L6	4DHNF63KE	94,240	77,670	69,520	61,590	46,770	33,960
L*V2201L6	4DJNF76KE	108,700	90,590	81,350	72,120	54,200	37,800
L*V2701L6	6DHNF93KE	143,400	116,690	103,970	91,490	67,980	47,620
L*V3001L6	6DJNF11ME	157,280	128,990	114,760	100,870	74,970	52,930

NOTES:
 L*V = LDV is Adjustable Head Pressure Control, LDVS is IntelliGen™/Beacon II™
 All units will work in 120°F ambient
 For 50 cycle capacity, multiply values by .86

PERFORMANCE DATA: HIGH EFFICIENCY MODELS

Low Temperature† R-407A/R-407F - Demand Cooling is required for all applications

Model	Compressor	Capacity BTUH @ 90°F Ambient by SST					
		0°F	-10°F	-15°F	-20°F	-30°F	-40°F
L*V1201L6	4DBNF54KE	98,770	76,830	66,760	57,260	40,370	26,400
L*V1501L6	4DHNF63KE	111,230	88,110	77,360	67,230	49,080	33,820
L*V2201L6	4DJNF76KE	141,010	109,050	94,770	81,830	60,360	45,010
L*V2701L6	6DHNF93KE	170,040	131,300	114,310	98,700	70,600	45,230
L*V3001L6	6DJNF11ME	201,050	156,410	136,380	117,870	84,460	53,980

Model	Compressor	Capacity BTUH @ 95°F Ambient by SST					
		0°F	-10°F	-15°F	-20°F	-30°F	-40°F
L*V1201L6	4DBNF54KE	94,430	73,260	63,530	54,340	37,930	24,300
L*V1501L6	4DHNF63KE	106,420	84,150	73,800	64,030	46,480	31,670
L*V2201L6	4DJNF76KE	134,940	103,930	90,170	77,730	57,310	43,060
L*V2701L6	6DHNF93KE	163,150	125,600	109,060	93,860	66,420	41,540
L*V3001L6	6DJNF11ME	192,430	149,090	129,730	111,720	79,170	49,300

Model	Compressor	Capacity BTUH @ 100°F Ambient by SST					
		0°F	-10°F	-15°F	-20°F	-30°F	-40°F
L*V1201L6	4DBNF54KE	89,990	69,650	60,190	51,290	35,360	22,080
L*V1501L6	4DHNF63KE	101,450	80,150	70,180	60,820	43,810	29,430
L*V2201L6	4DJNF76KE	128,770	98,740	85,470	73,630	54,180	41,000
L*V2701L6	6DHNF93KE	155,960	119,660	103,640	88,780	61,960	37,570
L*V3001L6	6DJNF11ME	183,380	141,570	122,780	105,220	73,560	44,320

Model	Compressor	Capacity BTUH @ 110°F Ambient by SST					
		0°F	-10°F	-15°F	-20°F	-30°F	-40°F
L*V1201L6	4DBNF54KE	80,770	61,970	53,160	44,850	29,890	14,930
L*V1501L6	4DHNF63KE	91,620	72,030	62,900	54,170	38,310	24,790
L*V2201L6	4DJNF76KE	116,180	88,120	76,000	65,110	47,690	36,570
L*V2701L6	6DHNF93KE	141,050	107,100	91,920	77,840	52,270	28,850
L*V3001L6	6DJNF11ME	164,780	125,660	108,130	91,660	61,410	33,340

NOTES:

L*V = LDV is Adjustable Head Pressure Control
 † = Demand Cooling is required for operation at Low Temperature Applications
 For 50 cycle capacity, multiply values by .86

PERFORMANCE DATA: HIGH EFFICIENCY MODELS

Low Temperature† R-407C - Demand Cooling is required for all applications

Model	Compressor	Capacity BTUH @ 90°F Ambient by SST					
		0°F	-10°F	-15°F	-20°F	-30°F	-40°F
L*V1201L6	4DBNF54KE	85,660	64,680	55,470	47,160	32,950	21,420
L*V1501L6	4DHNF63KE	96,990	74,400	64,540	55,550	40,190	27,540
L*V2201L6	4DJNF76KE	114,030	86,540	75,240	65,260	48,310	33,190
L*V2701L6	6DHNF93KE	146,350	112,780	97,140	82,570	57,150	37,640
L*V3001L6	6DJNF11ME	170,260	131,090	113,140	96,380	67,120	44,320

Model	Compressor	Capacity BTUH @ 95°F Ambient by SST					
		0°F	-10°F	-15°F	-20°F	-30°F	-40°F
L*V1201L6	4DBNF54KE	82,350	61,830	52,870	44,790	30,840	19,570
L*V1501L6	4DHNF63KE	93,220	71,250	61,600	52,880	37,920	25,580
L*V2201L6	4DJNF76KE	110,040	83,450	72,490	62,780	46,210	31,330
L*V2701L6	6DHNF93KE	141,200	108,370	93,030	78,620	53,520	33,970
L*V3001L6	6DJNF11ME	163,680	125,550	108,040	91,640	62,900	40,290

Model	Compressor	Capacity BTUH @ 100°F Ambient by SST					
		0°F	-10°F	-15°F	-20°F	-30°F	-40°F
L*V1201L6	4DBNF54KE	78,900	58,890	50,150	42,260	28,650	17,580
L*V1501L6	4DHNF63KE	89,440	68,020	58,610	50,120	35,560	23,490
L*V2201L6	4DJNF76KE	105,890	80,210	69,600	60,150	44,010	29,360
L*V2701L6	6DHNF93KE	135,900	103,800	88,740	74,530	49,690	30,120
L*V3001L6	6DJNF11ME	157,150	120,020	102,820	86,750	58,460	35,970

Model	Compressor	Capacity BTUH @ 110°F Ambient by SST					
		0°F	-10°F	-15°F	-20°F	-30°F	-40°F
L*V1201L6	4DBNF54KE	71,600	52,600	44,360	36,830	23,790	13,480
L*V1501L6	4DHNF63KE	81,460	61,180	52,340	44,350	30,480	19,020
L*V2201L6	4DJNF76KE	96,910	72,990	62,980	54,100	38,770	24,560
L*V2701L6	6DHNF93KE	125,150	94,300	79,680	65,930	41,500	25,740
L*V3001L6	6DJNF11ME	143,820	108,470	92,040	76,480	49,100	26,930

NOTES:

L*V = LDV is Adjustable Head Pressure Control

† = Demand Cooling is required for operation at Low Temperature Applications

For 50 cycle capacity, multiply values by .86

PERFORMANCE DATA: HIGH EFFICIENCY MODELS

Low Temperature† R-448A/R-449A - Demand Cooling is required for all applications

Model	Compressor	Capacity BTUH @ 90°F Ambient by SST					
		0°F	-10°F	-15°F	-20°F	-30°F	-40°F
L*V1201L6	4DBNF54KE	96,660	74,850	64,970	55,800	39,900	27,460
L*V1501L6	4DHNF63KE	109,280	86,090	75,480	65,640	48,650	35,560
L*V2201L6	4DJNF76KE	137,490	106,110	92,770	80,700	59,310	39,130
L*V2701L6	6DHNF93KE	166,520	127,960	111,220	96,020	69,790	47,760
L*V3001L6	6DJNF11ME	198,370	153,320	133,420	115,310	83,640	56,130

Model	Compressor	Capacity BTUH @ 95°F Ambient by SST					
		0°F	-10°F	-15°F	-20°F	-30°F	-40°F
L*V1201L6	4DBNF54KE	92,710	71,640	62,010	53,080	37,550	25,300
L*V1501L6	4DHNF63KE	104,790	82,480	72,210	62,730	46,200	33,440
L*V2201L6	4DJNF76KE	132,080	101,500	88,490	76,760	55,710	35,810
L*V2701L6	6DHNF93KE	160,270	122,780	106,430	91,630	65,840	44,100
L*V3001L6	6DJNF11ME	190,450	146,570	127,270	109,570	78,520	51,380

Model	Compressor	Capacity BTUH @ 100°F Ambient by SST					
		0°F	-10°F	-15°F	-20°F	-30°F	-40°F
L*V1201L6	4DBNF54KE	88,650	68,260	58,920	50,240	35,090	23,030
L*V1501L6	4DHNF63KE	100,320	78,810	68,880	59,710	43,670	31,230
L*V2201L6	4DJNF76KE	126,680	96,860	84,150	72,700	52,050	32,440
L*V2701L6	6DHNF93KE	153,840	117,330	101,460	86,930	61,620	40,150
L*V3001L6	6DJNF11ME	182,170	139,640	120,800	103,650	73,080	46,310

Model	Compressor	Capacity BTUH @ 110°F Ambient by SST					
		0°F	-10°F	-15°F	-20°F	-30°F	-40°F
L*V1201L6	4DBNF54KE	80,160	61,170	52,380	44,190	29,760	18,180
L*V1501L6	4DHNF63KE	91,280	71,320	62,150	53,530	38,460	26,680
L*V2201L6	4DJNF76KE	115,680	87,460	75,460	64,450	44,570	25,570
L*V2701L6	6DHNF93KE	140,160	105,760	90,580	76,710	52,350	—
L*V3001L6	6DJNF11ME	164,900	124,940	107,100	90,670	61,330	—

NOTES:
 L*V=LDV is Adjustable Head Pressure Control
 For 50 cycle capacity, multiply values by .86
 † = Demand Cooling is required for operation at Low Temperature Applications

ELECTRICAL DATA: STANDARD MODELS

208-230 Volts

Model	Compressor Model	Condensing Unit						Remote Loads: Four Contactors							
		Compressor		Condenser		Air Defrost/ intelliGen™/ Beacon II™		Low Amps "4L"				High Amps "4H"			
		RLA	LRA	No. Fans	FLA (Total)	MCA	MOPD	Evap. Fan Amps	Defrost Htrs. Amps	Electric Defrost		Evap. Fan Amps	Defrost Htrs. Amps	Electric Defrost	
										MCA	MOPD			MCA	MOPD
L*V1500M6	3DS3R17ME	59.6	275	2	9.6	76.5	125	25	96	101.5	150	25	108	108	150
L*V2000M6	4DBNR20ME	64.7	308	2	9.6	88.9	150	25	96	113.9	175	25	108	113.9	175
L*V2500M6	4DHNR22ME	82.2	428	2	9.6	101.7	175	25	125	126.7	200	30	181	181	225
L*V2600M6	4DHNR22ME	82.2	428	2	14	106.1	175	25	125	131.1	200	30	181	181	225
L*V3000M6	4DJNR28ME	94.6	470	2	14	132.3	225	30	149	162.3	250	30	181	181	250
L*V3500M6	6DHNR35ME	107.2	565	3	21	141.2	225	35	160	176.2	250	35	192	192	250
L*V4000M6	6DJNR40ME	128.2	594	3	21	181.3	300	35	160	216.3	300	35	192	216.3	300
L*V1200L6	4DBNF54KE	46	220	2	9.6	65.5	110	22	48	87.5	125	22	64	87.5	125
L*V1500L6	4DHNF63KE	52.6	278	2	9.6	68.6	110	25	64	93.6	125	25	91	93.6	125
L*V2200L6	4DJNF76KE	66	374	2	9.6	81.7	125	25	96	106.7	150	25	105	106.7	150
L*V2700L6	6DHNF93KE	80.8	450	2	9.6	100.1	150	25	96	125.1	175	25	108	125.1	175
L*V3000L6	6DJNF11ME	95.6	470	2	14	121.2	200	30	150	151.2	225	30	181	181	225

460 Volts

Model	Compressor Model	Condensing Unit						Remote Loads: Four Contactors							
		Compressor		Condenser		Air Defrost/ intelliGen™/ Beacon II™		Low Amps "4L"				High Amps "4H"			
		RLA	LRA	No. Fans	FLA (Total)	MCA	MOPD	Evap. Fan Amps	Defrost Htrs. Amps	Electric Defrost		Evap. Fan Amps	Defrost Htrs. Amps	Electric Defrost	
										MCA	MOPD			MCA	MOPD
L*V1500M6	3DS3R17ME	29	138	2	4.8	37	60	15	48	52.3	70	15	64	64	80
L*V2000M6	4DBNR20ME	32.4	154	2	4.8	44.5	70	15	48	59.5	90	15	64	64	90
L*V2500M6	4DHNR22ME	41.1	214	2	4.8	50.9	80	20	64	70.9	100	20	96	96	110
L*V2600M6	4DHNR22ME	41.1	214	2	7	53	80	20	64	73.1	100	20	96	96	110
L*V3000M6	4DJNR28ME	47.3	235	2	7	66.1	110	20	64	86.1	125	20	96	96	125
L*V3500M6	6DHNR35ME	56.2	283	3	10.5	81.3	125	20	64	101.3	150	20	96	101.3	125
L*V4000M6	6DJNR40ME	64.1	297	3	10.5	91.1	150	20	64	111.1	175	20	96	111.1	175
L*V1200L6	4DBNF54KE	23	110	2	4.8	32.8	50	-	-	-	-	-	-	-	-
L*V1500L6	4DHNF63KE	26.3	139	2	4.8	34.3	50	15	48	49.3	70	15	48	49.3	70
L*V2200L6	4DJNF76KE	33	187	2	4.8	40.9	60	15	48	55.9	80	15	48	55.9	80
L*V2700L6	6DHNF93KE	40.4	225	2	4.8	50.1	80	15	48	65.1	100	15	64	65.1	100
L*V3000L6	6DJNF11ME	47.8	235	2	7	60.6	100	20	64	80.6	110	20	91	90.8	113

NOTES:

L*V = LDV is Adjustable Head Pressure Control, LDVS is IntelliGen™/Beacon II™
MCA = Minimum Circuit Ampacity
MOP = Maximum Overcurrent Protection
intelliGen™/ Beacon II™ and Air Defrost Units do not carry any of the evaporator fan or heater loads.
Power is supplied directly to the evaporators and does not go through the condensing unit.
An evaporator heater hold out relay (option) is recommended when two or more evaporators are connected to a single (LDV) condensing unit to allow termination on coils that have already defrosted to prevent unnecessary steaming.
This option is not needed on IntelliGen™/Beacon II™ (LDVS) systems wired for a Master / Slave operation. *Applies to Beacon II only.

Mounted Electric Defrost Kits for LDV condensing units include:
Defrost timer, terminal strip, (1) evaporator fan contactor and:
One (1) defrost heater contactor for 1L and 1H codes
Two (2) defrost heater contactors for 2L and 2H codes
Four (4) defrost heater contactors for 4L and 4H codes
Power is supplied to each IntelliGen™/Beacon II™ evaporator.
Each coil terminates its own defrost. Refrigeration will not start until all coils have terminated defrost.
Contact factory for 575 volt electrical specification.

ELECTRICAL DATA: STANDARD MODELS

208-230 Volts

Model	Compressor Model	Remote Loads: Two Contactors								Remote Loads: One Contactor							
		Low Amps "2L"				High Amps "2H"				Low Amps "1L"				High Amps "1H"			
		Evap. Fan Amps	Defrost Htrs. Amps	Electric Defrost		Evap. Fan Amps	Defrost Htrs. Amps	Electric Defrost		Evap. Fan Amps	Defrost Htrs. Amps	Electric Defrost		Evap. Fan Amps	Defrost Htrs. Amps	Electric Defrost	
				MCA	MOPD			MCA	MOPD			MCA	MOPD			MCA	MOPD
L*V1500M6	3DS3R17ME	25	80	101.5	150	25	96	101.5	150	-	-	-	-	-	-	-	-
L*V2000M6	4DBNR20ME	20	80	108.9	150	20	96	108.9	150	-	-	-	-	-	-	-	-
L*V2500M6	4DHNR22ME	-	-	-	-	-	-	-	-	-	-	-	-	-	-	-	-
L*V2600M6	4DHNR22ME	-	-	-	-	-	-	-	-	-	-	-	-	-	-	-	-
L*V3000M6	4DJNR28ME	-	-	-	-	-	-	-	-	-	-	-	-	-	-	-	-
L*V3500M6	6DHNR35ME	-	-	-	-	-	-	-	-	-	-	-	-	-	-	-	-
L*V4000M6	6DJNR40ME	-	-	-	-	-	-	-	-	-	-	-	-	-	-	-	-
L*V1200L6	4DBNF54KE	15	34	80.5	125	20	74	85.5	125	15	40	80.5	125	15	48	80.5	125
L*V1500L6	4DHNF63KE	20	80	88.6	125	20	91	91	125	15	40	83.6	125	15	48	83.6	125
L*V2200L6	4DJNF76KE	20	80	101.7	150	20	96	101.7	150	15	40	96.7	150	15	48	96.7	150
L*V2700L6	6DHNF93KE	20	80	120.1	175	20	96	120.1	175	-	-	-	-	-	-	-	-
L*V3000L6	6DJNF11ME	20	80	141.2	225	20	96	141.2	225	-	-	-	-	-	-	-	-

460 Volts

Model	Compressor Model	Remote Loads: Two Contactors								Remote Loads: One Contactor							
		Low Amps "2L"				High Amps "2H"				Low Amps "1L"				High Amps "1H"			
		Evap. Fan Amps	Defrost Htrs. Amps	Electric Defrost		Evap. Fan Amps	Defrost Htrs. Amps	Electric Defrost		Evap. Fan Amps	Defrost Htrs. Amps	Electric Defrost		Evap. Fan Amps	Defrost Htrs. Amps	Electric Defrost	
				MCA	MOPD			MCA	MOPD			MCA	MOPD			MCA	MOPD
L*V1500M6	3DS3R17ME	15	48	52.3	70	15	64	64	80	15	40	52.3	70	15	48	52	80
L*V2000M6	4DBNR20ME	15	48	59.5	90	15	64	64	90	15	40	59.5	90	15	48	59.5	90
L*V2500M6	4DHNR22ME	15	48	65.9	100	15	80	80	100	-	-	-	-	-	-	-	-
L*V2600M6	4DHNR22ME	15	48	68.1	100	15	80	80	110	-	-	-	-	-	-	-	-
L*V3000M6	4DJNR28ME	15	80	81.1	125	20	96	96	125	-	-	-	-	-	-	-	-
L*V3500M6	6DHNR35ME	20	80	101.3	150	20	96	101.3	150	-	-	-	-	-	-	-	-
L*V4000M6	6DJNR40ME	20	80	111.1	175	20	96	111.1	175	-	-	-	-	-	-	-	-
L*V1200L6	4DBNF54KE	10	19	42.8	60	15	38	47.8	70	10	19	42.8	60	10	24	42.8	60
L*V1500L6	4DHNF63KE	15	32	49.3	70	15	48	49.3	70	15	24	49.3	70	15	40	49	70
L*V2200L6	4DJNF76KE	15	48	55.9	80	15	64	64	80	15	40	55.9	80	15	48	55	80
L*V2700L6	6DHNF93KE	15	48	65.1	100	15	64	65.1	100	15	40	65.1	100	15	48	64	100
L*V3000L6	6DJNF11ME	15	48	75.6	110	15	80	80	110	15	40	75.6	110	15	48	76	110

NOTES:

L*V = LDV is Adjustable Head Pressure Control, LDVS is IntelliGen™/Beacon II™
MCA = Minimum Circuit Ampacity
MOP = Maximum Overcurrent Protection
IntelliGen™/Beacon II™ and Air Defrost Units do not carry any of the evaporator fan or heater loads. Power is supplied directly to the evaporators and does not go through the condensing unit. An evaporator heater hold out relay (option) is recommended when two or more evaporators are connected to a single (LDV) condensing unit to allow termination on coils that have already defrosted to prevent unnecessary steaming. This option is not needed on IntelliGen™/Beacon II™ (LDVS) systems wired for a Master / Slave operation. *Applies to Beacon II only.

Mounted Electric Defrost Kits for LDV condensing units include:
Defrost timer, terminal strip, (1) evaporator fan contactor and:
One (1) defrost heater contactor for 1L and 1H codes
Two (2) defrost heater contactors for 2L and 2H codes
Four (4) defrost heater contactors for 4L and 4H codes
Power is supplied to each IntelliGen™/Beacon II™ evaporator.
Each coil terminates its own defrost. Refrigeration will not start until all coils have terminated defrost.
Contact factory for 575 volt electrical specification.

ELECTRICAL DATA: HIGH EFFICIENCY MODELS

208-230 Volts

Model	Compressor Model	Condensing Unit						Remote Loads: Four Contactors							
		Compressor		Condenser		Air Defrost/ intelliGen™/ Beacon II™		Low Amps "4L"				High Amps "4H"			
		RLA	LRA	No. Fans	FLA (Total)	MCA	MOPD	Evap. Fan Amps	Defrost Htrs. Amps	Electric Defrost		Evap. Fan Amps	Defrost Htrs. Amps	Electric Defrost	
										MCA	MOPD			MCA	MOPD
L*V1501H6	3DS3R17ME	59.6	275	2	14	80.9	125	25	96	105.9	150	25	108	108	150
L*V2001H6	4DBNR20ME	64.7	308	2	14	94.9	150	25	96	119.9	175	25	108	119.9	175
L*V2501H6	4DHNR22ME	82.2	428	3	21	113.1	175	25	125	138.1	200	30	181	181	225
L*V3001H6	4DJNR28ME	94.6	470	3	21	139.3	225	30	149	169.3	250	30	181	181	250
L*V3501H6†	6DHNR35ME	107.2	565	4	28	148.2	225	35	160	183.2	250	35	192	192	250
L*V4001H6†	6DJNR40ME	128.2	594	4	28	188.3	300	35	160	223.3	350	35	192	223.3	350
L*V1201L6	4DBNF54KE	46	220	2	9.6	65.5	110	22	48	87.5	125	22	64	87.5	125
L*V1501L6	4DHNF63KE	52.6	278	2	9.6	68.6	110	25	64	93.6	125	25	91	93.6	125
L*V2201L6	4DJNF76KE	66	374	2	9.6	81.7	125	25	96	106.7	150	25	105	106.7	150
L*V2701L6	6DHNF93KE	80.8	450	2	14	104.5	175	25	96	129.5	200	25	108	129.5	200
L*V3001L6	6DJNF11ME	95.6	470	2	14	121.2	200	30	150	151.2	225	30	181	181	225

460 Volts

Model	Compressor Model	Condensing Unit						Remote Loads: Four Contactors							
		Compressor		Condenser		Air Defrost/ intelliGen™/ Beacon II™		Low Amps "4L"				High Amps "4H"			
		RLA	LRA	No. Fans	FLA (Total)	MCA	MOPD	Evap. Fan Amps	Defrost Htrs. Amps	Electric Defrost		Evap. Fan Amps	Defrost Htrs. Amps	Electric Defrost	
										MCA	MOPD			MCA	MOPD
L*V1501H6	3DS3R17ME	29	138	2	7	39.5	60	15	48	54.5	80	15	64	64	80
L*V2001H6	4DBNR20ME	32.4	154	2	7	47.5	70	15	48	62.5	90	15	64	64	90
L*V2501H6	4DHNR22ME	41.1	214	3	10.5	56.6	90	20	64	76.6	110	20	96	96	110
L*V3001H6	4DJNR28ME	47.3	235	3	10.5	69.6	110	20	64	89.6	125	20	96	96	125
L*V3501H6†	6DHNR35ME	53.5	283	4	14	74.1	110	20	64	94.1	125	20	96	96	125
L*V4001H6†	6DJNR40ME	64.1	297	4	14	94.1	150	20	64	114.1	175	20	96	114.1	175
L*V1201L6	4DBNF54KE	23	110	2	4.8	32.8	50	-	-	-	-	-	-	-	-
L*V1501L6	4DHNF63KE	26.3	139	2	4.8	34.3	50	15	48	49.3	70	15	48	49.3	70
L*V2201L6	4DJNF76KE	33	187	2	4.8	40.9	60	15	48	55.9	80	15	48	55.9	80
L*V2701L6	6DHNF93KE	40.4	225	2	7	52.3	80	15	48	67.3	100	15	64	67.3	100
L*V3001L6	6DJNF11ME	47.8	235	2	7	60.6	100	20	64	80.6	110	20	91	90.8	110

NOTES:

L*V = LDV is Adjustable Head Pressure Control, LDVS is IntelliGen™/Beacon II™
MCA = Minimum Circuit Ampacity
MOP = Maximum Overcurrent Protection
intelliGen™/Beacon II™ and Air Defrost Units do not carry any of the evaporator fan or heater loads.
Power is supplied directly to the evaporators and does not go through the condensing unit.
An evaporator heater hold out relay (option) is recommended when two or more evaporators are connected to a single (LDV) condensing unit to allow termination on coils that have already defrosted to prevent unnecessary steaming.
This option is not needed on IntelliGen™/Beacon II™ (LDVS) systems wired for a Master / Slave operation. *Applies to Beacon II only.

Mounted Electric Defrost Kits for LDV condensing units include:
Defrost timer, terminal strip, (1) evaporator fan contactor and:
One (1) defrost heater contactor for 1L and 1H codes
Two (2) defrost heater contactors for 2L and 2H codes
Four (4) defrost heater contactors for 4L and 4H codes
Power is supplied to each IntelliGen™/Beacon II™ evaporator.
Each coil terminates its own defrost. Refrigeration will not start until all coils have terminated defrost.
Contact factory for 575 volt electrical specification.

ELECTRICAL DATA: HIGH EFFICIENCY MODELS

208-230 Volts

Model	Compressor Model	Remote Loads: Two Contactors								Remote Loads: One Contactor							
		Low Amps "2L"				High Amps "2H"				Low Amps "1L"				High Amps "1H"			
		Evap. Fan Amps	Defrost Htrs. Amps	Electric Defrost		Evap. Fan Amps	Defrost Htrs. Amps	Electric Defrost		Evap. Fan Amps	Defrost Htrs. Amps	Electric Defrost		Evap. Fan Amps	Defrost Htrs. Amps	Electric Defrost	
				MCA	MOPD			MCA	MOPD			MCA	MOPD			MCA	MOPD
L*V1501H6	3DS3R17ME	25	80	105.9	150	25	96	105.9	150	-	-	-	-	-	-	-	-
L*V2001H6	4DBNR20ME	20	80	114.9	175	20	96	114.9	175	-	-	-	-	-	-	-	-
L*V2501H6	4DHNR22ME	-	-	-	-	-	-	-	-	-	-	-	-	-	-	-	-
L*V3001H6	4DJNR28ME	-	-	-	-	-	-	-	-	-	-	-	-	-	-	-	-
L*V3501H6†	6DHNR35ME	-	-	-	-	-	-	-	-	-	-	-	-	-	-	-	-
L*V4001H6†	6DJNR40ME	-	-	-	-	-	-	-	-	-	-	-	-	-	-	-	-
L*V1201L6	4DBNF54KE	15	34	80.5	125	20	74	85.5	125	15	40	80.5	125	15	48	80.5	125
L*V1501L6	4DHNF63KE	20	80	88.6	125	20	91	91	125	15	40	83.6	125	15	48	83.6	125
L*V2201L6	4DJNF76KE	20	80	101.7	150	20	96	101.7	150	15	40	96.7	150	15	48	96.7	150
L*V2701L6	6DHNF93KE	20	80	124.5	175	20	96	124.5	175	-	-	-	-	-	-	-	-
L*V3001L6	6DJNF11ME	20	80	141.2	225	20	96	141.2	225	-	-	-	-	-	-	-	-

460 Volts

Model	Compressor Model	Remote Loads: Two Contactors								Remote Loads: One Contactor							
		Low Amps "2L"				High Amps "2H"				Low Amps "1L"				High Amps "1H"			
		Evap. Fan Amps	Defrost Htrs. Amps	Electric Defrost		Evap. Fan Amps	Defrost Htrs. Amps	Electric Defrost		Evap. Fan Amps	Defrost Htrs. Amps	Electric Defrost		Evap. Fan Amps	Defrost Htrs. Amps	Electric Defrost	
				MCA	MOPD			MCA	MOPD			MCA	MOPD			MCA	MOPD
L*V1501H6	3DS3R17ME	15	48	54.5	80	15	64	64	80	15	40	54.5	80	15	48	54.5	80
L*V2001H6	4DBNR20ME	15	48	62.5	90	15	64	64	90	15	40	62.5	90	15	48	62.5	90
L*V2501H6	4DHNR22ME	15	48	71.6	100	15	80	80	100	-	-	-	-	-	-	-	-
L*V3001H6	4DJNR28ME	15	80	84.6	125	20	96	96	125	-	-	-	-	-	-	-	-
L*V3501H6†	6DHNR35ME	20	80	94.1	125	20	96	96	125	-	-	-	-	-	-	-	-
L*V4001H6†	6DJNR40ME	20	80	114.1	175	20	96	114.1	175	-	-	-	-	-	-	-	-
L*V1201L6	4DBNF54KE	10	19	42.8	60	15	38	47.8	70	10	19	42.8	60	10	24	42.8	60
L*V1501L6	4DHNF63KE	15	32	49.3	70	15	48	49.3	70	15	24	49.3	70	15	40	49	70
L*V2201L6	4DJNF76KE	15	48	55	80	15	64	64	80	15	40	55.9	80	15	48	55	80
L*V2701L6	6DHNF93KE	15	48	67.3	100	15	64	67	100	15	40	67.3	100	15	48	67	100
L*V3001L6	6DJNF11ME	15	48	75.6	110	15	80	80	110	15	40	75.6	110	15	48	76	110

NOTES:

L*V = LDV is Adjustable Head Pressure Control, LDVS is IntelliGen™/Beacon II™

MCA = Minimum Circuit Ampacity

MOP = Maximum Overcurrent Protection

IntelliGen™/Beacon II™ and Air Defrost Units do not carry any of the evaporator fan or heater loads.

Power is supplied directly to the evaporators and does not go through the condensing unit.

An evaporator heater hold out relay (option) is recommended when two or more evaporators

are connected to a single (LDV) condensing unit to allow termination on coils that have already

defrosted to prevent unnecessary steaming.

This option is not needed on IntelliGen™/Beacon II™ (LDVS) systems wired for a Master / Slave

operation. *Applies to Beacon II only.

Mounted Electric Defrost Kits for LDV condensing units include:

Defrost timer, terminal strip, (1) evaporator fan contactor and:

One (1) defrost heater contactor for 1L and 1H codes

Two (2) defrost heater contactors for 2L and 2H codes

Four (4) defrost heater contactors for 4L and 4H codes

Power is supplied to each IntelliGen™/Beacon II™ evaporator.

Each coil terminates its own defrost. Refrigeration will not start until all coils have terminated

defrost.

Contact factory for 575 volt electrical specification.

UNIT SPECIFICATIONS: STANDARD MODELS

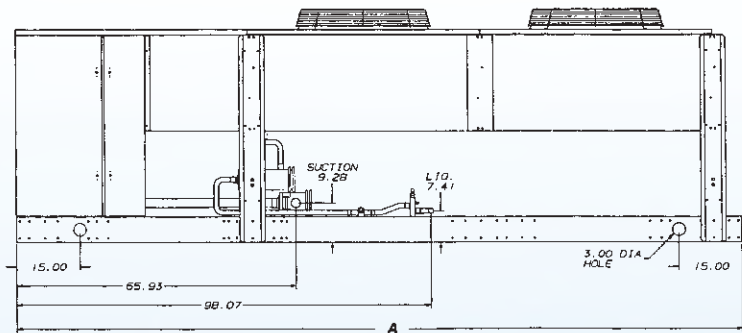
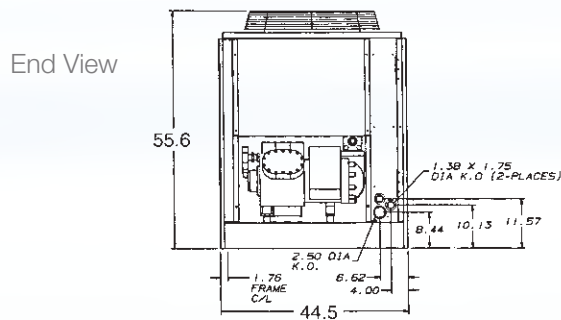
Model	Compressor	Condenser Fan Data		Connections (in.)		Receiver 90% Full (Lbs)	Dimension A (in.)	Net Weight (Lbs)
		No. Fans	Dia.	Liquid	Suction			
L*V1500M6	3DS3R17ME	2	26"	7/8	1-5/8	123	144	1,580
L*V2000M6	4DBNR20ME	2	26"	7/8	2-1/8	123	144	1,610
L*V2500M6	4DHNR22ME	2	26"	1-1/8	2-1/8	123	144	1,630
L*V2600M6	4DHNR22ME	2	30"	1-1/8	2-1/8	123	170.7	1,770
L*V3000M6	4DJNR28ME	2	30"	1-1/8	2-1/8	188	170.7	1,860
L*V3500M6	6DHNR35ME	3	30"	1-1/8	2-1/8	188	225.7	2,260
L*V4000M6	6DJNR40ME	3	30"	1-1/8	2-1/8	188	225.7	2,360
L*V1200L6	4DBNF54KE	2	26"	7/8	1-5/8	81	144	1,500
L*V1500L6	4DHNF63KE	2	26"	7/8	1-5/8	81	144	1,500
L*V2200L6	4DJNF76KE	2	26"	7/8	2-1/8	81	144	1,500
L*V2700L6	6DHNF93KE	2	26"	1-1/8	2-1/8	123	144	1,670
L*V3000L6	6DJNF11ME	2	30"	1-1/8	2-1/8	123	170.7	1,870

NOTES:

L*V = LDV is Adjustable Head Pressure Control, LDVS is IntelliGen™/Beacon II™

AWEF RATINGS: MEDIUM/HIGH TEMPERATURE CONDENSING UNITS COOLER APPLICATION

Dimensional Drawing



Side View

Model	Outdoor / IntelliGen™/Beacon II™			
	R404A/ R507A	R407A	R407C	R448A/ R449A
LDV*1500M6	9.44	9.18	8.95	9.37
LDV*2000M6	9.06	9.03	8.93	9.30
LDV*2500M6	9.60	9.09	9.23	9.35
LDV*2600M6	9.24	8.62	8.65	8.81
LDV*3000M6	9.46	9.00	8.82	9.17
LDV*3500M6	9.16	8.60	8.21	8.76
LDV*4000M6	9.02	8.74	8.70	8.98

These refrigeration systems are designed and certified for use in walk-in cooler applications.

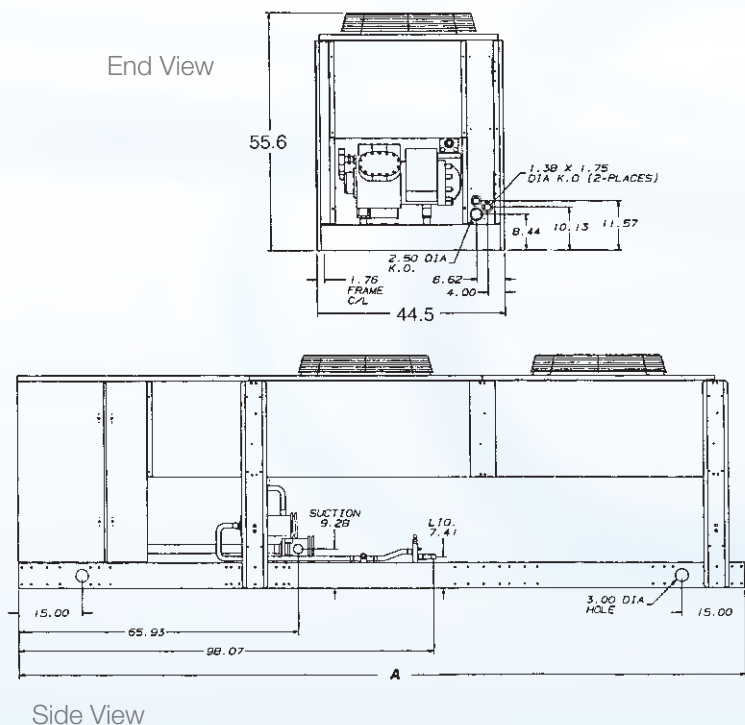
* Blank = Outdoors, S = IntelliGen™/Beacon II™

UNIT SPECIFICATIONS: HIGH EFFICIENCY MODELS

Model	Compressor	Condenser Fan Data		Connections (in.)		Receiver 90% Full (Lbs)	Dimension A (in.)	Net Weight (Lbs)
		No. Fans	Dia.	Liquid	Suction			
L*V1501H6	3DS3R17ME	2	30"	7/8	1-5/8	123	170.7	1,680
L*V2001H6	4DBNR20ME	2	30"	7/8	2-1/8	123	170.7	1,760
L*V2501H6	4DHNR22ME	3	30"	1-1/8	2-1/8	188	225.7	1,750
L*V3001H6	4DJNR28ME	3	30"	1-1/8	2-1/8	188	225.7	2,160
L*V3501H6†	6DHNR35ME	4	30"	1-1/8	2-1/8	188	280.7	2,770
L*V4001H6†	6DJNR40ME	4	30"	1-1/8	2-1/8	188	280.7	2,870
L*V1201L6	4DBNF54KE	2	26"	7/8	2-1/8	81	144	1,600
L*V1501L6	4DHNF63KE	2	26"	7/8	1-5/8	81	144	1,750
L*V2201L6	4DJNF76KE	2	26"	7/8	2-1/8	81	144	1,780
L*V2701L6	6DHNF93KE	2	30"	1-1/8	2-1/8	123	170.7	1,970
L*V3001L6	6DJNF11ME	2	30"	1-1/8	2-1/8	123	170.7	2,070

NOTES:
 L*V = LDV is Adjustable Head Pressure Control, LDVS is IntelliGen™/Beacon II™
 † = L*V3501H6 and L*V4001H6 are special order items

Dimensional Drawing



AWEF RATINGS: MEDIUM/HIGH TEMPERATURE CONDENSING UNITS COOLER APPLICATION

Model	Outdoor / IntelliGen™/Beacon II™			
	R404A/ R507A	R407A	R407C	R448A/ R449A
LDV*1501H6	9.01	8.66	8.06	8.72
LDV*2001H6	9.42	8.95	8.62	9.09
LDV*2501H6	9.19	8.45	8.21	8.53
LDV*3001H6	9.26	8.71	8.31	8.81
LDV*3501H6	9.47	8.57	7.79	8.62
LDV*4001H6	9.12	8.69	8.39	8.86

These refrigeration systems are designed and certified for use in walk-in cooler applications.

* Blank = Outdoors, S = IntelliGen™/Beacon II™

PERFORMANCE DATA: DUAL COMPRESSOR MODELS

Medium Temperature R-404A/R-507

Model	Compressor (2 each)	Capacity BTUH @ 90°F Ambient by SST							
		30°F	25°F	20°F	15°F	10°F	0°F	-5°F	-10°F
L*D3000M6	3DS3R17ME	318,000	295,400	271,200	248,000	228,000	185,000	165,000	146,600
L*D4000M6	4DBNR20ME	402,600	369,400	337,400	306,200	276,600	223,000	200,400	180,800
L*D5000M6	4DHNR22ME	-	387,400	353,800	322,200	295,400	241,800	218,800	199,000
L*D5200M6	4DHNR22ME	433,800	398,600	363,800	330,200	306,800	249,600	225,200	204,200
L*D6000M6	4DJNR28ME	522,200	481,600	441,800	402,400	367,800	295,800	262,800	232,400
L*D7000M6	6DHNR35ME	662,000	612,000	560,200	511,000	469,200	378,600	337,000	298,600
L*D8000M6	6DJNR40ME	762,600	707,400	649,400	593,800	546,600	445,600	399,400	356,800

Model	Compressor (2 each)	Capacity BTUH @ 95°F Ambient by SST							
		30°F	25°F	20°F	15°F	10°F	0°F	-5°F	-10°F
L*D3000M6	3DS3R17ME	304,200	282,800	259,800	237,400	218,400	177,000	157,800	139,800
L*D4000M6	4DBNR20ME	383,600	351,800	321,400	292,200	263,400	212,200	190,600	172,200
L*D5000M6	4DHNR22ME	-	370,800	339,000	308,000	282,000	230,400	208,400	189,400
L*D5200M6	4DHNR22ME	415,800	381,600	348,200	315,800	293,000	237,800	214,400	194,400
L*D6000M6	4DJNR28ME	500,200	459,800	421,800	383,600	351,000	282,200	250,400	221,400
L*D7000M6	6DHNR35ME	631,200	585,200	537,000	488,200	447,800	360,600	320,000	282,600
L*D8000M6	6DJNR40ME	729,800	677,200	621,200	567,800	522,200	425,000	380,400	339,200

Model	Compressor (2 each)	Capacity BTUH @ 100°F Ambient by SST							
		30°F	25°F	20°F	15°F	10°F	0°F	-5°F	-10°F
L*D3000M6	3DS3R17ME	290,400	270,400	248,400	227,000	209,000	169,000	150,400	133,000
L*D4000M6	4DBNR20ME	363,600	334,400	305,400	277,800	250,200	201,800	181,200	163,600
L*D5000M6	4DHNR22ME	-	354,200	323,000	293,600	268,400	219,000	197,800	179,800
L*D5200M6	4DHNR22ME	397,200	364,800	332,600	301,400	279,200	226,000	203,600	184,400
L*D6000M6	4DJNR28ME	476,800	439,800	402,600	365,200	334,400	268,400	238,000	210,400
L*D7000M6	6DHNR35ME	601,800	558,200	511,200	465,400	429,200	342,400	303,000	266,800
L*D8000M6	6DJNR40ME	697,000	646,800	593,000	542,000	501,000	404,400	361,200	321,800

Model	Compressor (2 each)	Capacity BTUH @ 110°F Ambient by SST							
		30°F	25°F	20°F	15°F	10°F	0°F	-5°F	-10°F
L*D3000M6	3DS3R17ME	263,000	244,800	225,600	206,200	190,000	153,200	136,200	120,000
L*D4000M6	4DBNR20ME	325,400	299,600	274,600	249,200	224,600	181,000	162,400	146,600
L*D5000M6	4DHNR22ME	-	320,400	292,200	264,600	242,000	196,600	177,400	161,200
L*D5200M6	4DHNR22ME	360,800	330,800	301,400	272,400	251,400	202,800	182,200	165,200
L*D6000M6	4DJNR28ME	428,000	395,600	362,200	329,000	301,000	241,400	214,000	189,400
L*D7000M6	6DHNR35ME	544,200	504,400	461,800	420,000	384,600	306,600	270,000	235,600
L*D8000M6	6DJNR40ME	633,000	586,400	537,200	489,400	449,800	364,000	324,600	288,000

NOTES:

L*D = LDD is Adjustable Head Pressure Control, LDDS is IntelliGen™/Beacon II™, LDD*PP is Parallel Piped
For 50 cycle capacity, multiply values by .86

PERFORMANCE DATA: DUAL COMPRESSOR MODELS

Medium Temperature R-407A/R-407F

Model	Compressor (2 each)	Capacity BTUH @ 90°F Ambient by SST								
		30°F	25°F	20°F	15°F	10°F	5°F	0°F	-5°F	-10°F
L*D3000M6	3DS3R17ME	323,800	293,140	263,760	235,960	209,760	186,530	163,300	143,320	125,860
L*D4000M6	4DBNR20ME	391,400	356,860	323,880	293,060	263,220	236,290	209,360	184,780	161,820
L*D5000M6	4DHNR22ME	438,480	399,040	361,280	326,260	292,800	262,520	232,240	204,840	179,220
L*D5200M6	4DHNR22ME	450,700	409,400	369,660	332,560	297,940	266,610	235,280	207,200	181,040
L*D6000M6	4DJNR28ME	547,360	496,280	447,680	401,940	358,200	318,340	278,480	242,080	207,920
L*D7000M6	6DHNR35ME	670,940	609,960	551,020	494,640	441,740	394,060	346,380	305,020	268,460
L*D8000M6	6DJNR40ME	794,100	725,780	663,000	602,840	544,100	483,880	423,660	359,500	290,220

Model	Compressor (2 each)	Capacity BTUH @ 95°F Ambient by SST								
		30°F	25°F	20°F	15°F	10°F	5°F	0°F	-5°F	-10°F
L*D3000M6	3DS3R17ME	310,940	281,620	253,120	226,820	201,480	178,950	156,420	137,000	119,740
L*D4000M6	4DBNR20ME	374,880	341,980	310,460	280,500	252,360	226,560	200,760	177,020	154,860
L*D5000M6	4DHNR22ME	420,160	382,240	346,920	312,900	280,860	251,770	222,680	196,300	171,600
L*D5200M6	4DHNR22ME	432,400	392,860	354,800	318,940	286,060	255,900	225,740	198,680	173,560
L*D6000M6	4DJNR28ME	524,840	475,900	429,020	385,740	343,760	305,650	267,540	232,840	200,360
L*D7000M6	6DHNR35ME	647,640	589,100	532,380	478,040	426,860	380,380	333,900	293,440	257,400
L*D8000M6	6DJNR40ME	762,440	699,360	638,780	580,560	523,060	463,440	403,820	339,320	269,200

Model	Compressor (2 each)	Capacity BTUH @ 100°F Ambient by SST								
		30°F	25°F	20°F	15°F	10°F	5°F	0°F	-5°F	-10°F
L*D3000M6	3DS3R17ME	298,040	270,000	242,940	217,680	193,220	171,370	149,520	130,560	113,560
L*D4000M6	4DBNR20ME	358,400	327,000	296,960	268,660	241,420	216,580	191,740	169,100	147,760
L*D5000M6	4DHNR22ME	401,780	365,740	331,960	299,480	268,500	240,720	212,940	187,580	163,800
L*D5200M6	4DHNR22ME	413,980	376,240	339,820	305,600	273,800	244,920	216,040	190,000	165,800
L*D6000M6	4DJNR28ME	501,880	455,200	410,620	368,860	329,100	292,860	256,620	223,700	192,980
L*D7000M6	6DHNR35ME	624,100	568,040	513,480	461,260	411,520	366,400	321,280	281,600	246,060
L*D8000M6	6DJNR40ME	732,620	671,940	613,920	557,800	501,720	442,660	383,600	318,860	248,360

Model	Compressor (2 each)	Capacity BTUH @ 110°F Ambient by SST								
		30°F	25°F	20°F	15°F	10°F	5°F	0°F	-5°F	-10°F
L*D3000M6	3DS3R17ME	272,460	247,140	222,520	199,160	176,680	156,200	135,720	117,660	101,220
L*D4000M6	4DBNR20ME	-	296,900	269,620	244,040	219,240	196,490	173,740	152,840	133,120
L*D5000M6	4DHNR22ME	-	332,300	301,740	272,240	244,540	218,820	193,100	169,720	147,840
L*D5200M6	4DHNR22ME	376,840	342,620	309,540	278,620	249,280	222,770	196,260	172,360	149,800
L*D6000M6	4DJNR28ME	454,960	412,920	373,080	335,120	299,420	267,090	234,760	205,620	178,620
L*D7000M6	6DHNR35ME	576,440	525,160	474,780	427,040	380,460	337,830	295,200	257,120	222,540
L*D8000M6	6DJNR40ME	670,120	615,760	562,760	510,780	457,940	400,340	342,740	278,360	207,100

NOTES:

L*D = LDD is Adjustable Head Pressure Control, LDD*PP is Parallel Piped
 For 50 cycle capacity, multiply values by .86

LOW SUCTION TEMPERATURE APPLICATIONS IN THESE RANGES REQUIRE THE ADDITION OF A HEAD FAN

PERFORMANCE DATA: DUAL COMPRESSOR MODELS

Medium Temperature R-407C

Model	Compressor (2 each)	Capacity BTUH @ 90°F Ambient by SST								
		30°F	25°F	20°F	15°F	10°F	5°F	0°F	-5°F	-10°F
L*D3000M6	3DS3R17ME	293,980	265,660	238,760	213,720	190,160	169,200	148,240	129,560	112,480
L*D4000M6	4DBNR20ME	349,920	316,160	283,920	253,100	222,240	192,170	162,100	131,200	99,180
L*D5000M6	4DHNR22ME	398,700	360,620	324,260	290,060	257,640	229,200	200,760	176,240	154,380
L*D5200M6	4DHNR22ME	409,140	368,720	330,520	294,520	260,900	231,830	202,760	177,760	155,600
L*D6000M6	4DJNR28ME	488,400	439,820	394,260	352,000	313,240	278,520	243,800	212,320	182,400
L*D7000M6	6DHNR35ME	586,540	527,340	473,740	424,460	379,100	337,170	295,240	254,080	211,540
L*D8000M6	6DJNR40ME	711,340	636,240	567,580	510,120	458,120	410,410	362,700	312,160	254,780

Model	Compressor (2 each)	Capacity BTUH @ 95°F Ambient by SST								
		30°F	25°F	20°F	15°F	10°F	5°F	0°F	-5°F	-10°F
L*D3000M6	3DS3R17ME	284,480	257,160	231,280	206,740	183,860	163,130	142,400	123,700	106,480
L*D4000M6	4DBNR20ME	335,740	303,420	272,420	242,820	213,440	184,670	155,900	126,440	95,960
L*D5000M6	4DHNR22ME	381,660	345,760	311,320	278,840	248,020	220,480	192,940	168,820	146,840
L*D5200M6	4DHNR22ME	391,540	353,380	317,240	282,980	251,020	222,960	194,900	170,280	148,160
L*D6000M6	4DJNR28ME	468,600	422,380	379,380	339,580	302,700	269,160	235,620	204,580	174,620
L*D7000M6	6DHNR35ME	565,080	508,440	457,140	409,940	366,040	324,990	283,940	243,040	200,420
L*D8000M6	6DJNR40ME	671,360	600,940	538,440	483,860	436,500	393,310	350,120	303,980	250,800

Model	Compressor (2 each)	Capacity BTUH @ 100°F Ambient by SST								
		30°F	25°F	20°F	15°F	10°F	5°F	0°F	-5°F	-10°F
L*D3000M6	3DS3R17ME	275,020	248,580	223,540	199,540	177,140	156,560	135,980	117,340	100,040
L*D4000M6	4DBNR20ME	321,960	290,980	261,260	232,900	204,820	177,470	150,120	122,140	93,240
L*D5000M6	4DHNR22ME	365,220	331,420	299,180	267,960	238,680	211,970	185,260	161,480	139,480
L*D5200M6	4DHNR22ME	374,500	338,960	304,080	271,880	241,600	214,370	187,140	162,900	140,740
L*D6000M6	4DJNR28ME	448,880	405,400	365,240	327,720	292,600	260,170	227,740	197,080	167,080
L*D7000M6	6DHNR35ME	543,000	488,780	440,320	394,800	352,280	312,130	271,980	231,340	188,700
L*D8000M6	6DJNR40ME	629,900	564,260	507,060	457,720	415,260	377,220	339,180	298,300	250,440

Model	Compressor (2 each)	Capacity BTUH @ 110°F Ambient by SST								
		30°F	25°F	20°F	15°F	10°F	5°F	0°F	-5°F	-10°F
L*D3000M6	3DS3R17ME	255,780	231,100	207,080	184,420	162,640	142,300	121,960	103,240	85,320
L*D4000M6	4DBNR20ME	295,400	267,100	240,280	214,280	189,060	164,510	139,960	115,040	89,420
L*D5000M6	4DHNR22ME	334,460	304,640	275,820	247,720	220,820	195,800	170,780	147,540	125,380
L*D5200M6	4DHNR22ME	342,520	311,020	280,440	251,160	223,560	197,930	172,300	148,740	126,580
L*D6000M6	4DJNR28ME	411,840	374,420	338,860	305,520	273,720	243,330	212,940	183,000	152,900
L*D7000M6	6DHNR35ME	498,120	449,640	404,560	362,760	323,320	284,750	246,180	206,100	163,700
L*D8000M6	6DJNR40ME	546,080	489,280	443,060	406,440	375,400	349,490	323,580	295,920	261,200

NOTES:

L*D = LDD is Adjustable Head Pressure Control, LDD*PP is Parallel Piped
 For 50 cycle capacity, multiply values by .86

LOW SUCTION TEMPERATURE APPLICATIONS IN THESE RANGES REQUIRE THE ADDITION OF A HEAD FAN

PERFORMANCE DATA: DUAL COMPRESSOR MODELS

Medium Temperature R-448A/R-449A

Model	Compressor (2 each)	Capacity BTUH @ 90°F Ambient by SST								
		30°F	25°F	20°F	15°F	10°F	5°F	0°F	-5°F	-10°F
L*D3000M6	3DS3R17ME	318,920	289,040	260,200	233,340	207,660	184,730	161,800	141,800	124,000
L*D4000M6	4DBNR20ME	390,340	355,500	322,440	290,620	260,500	233,200	205,900	181,100	158,240
L*D5000M6	4DHNR22ME	436,060	396,960	358,940	323,080	289,200	258,550	227,900	200,400	174,980
L*D5200M6	4DHNR22ME	445,920	404,560	364,980	327,620	293,080	261,600	230,120	202,100	176,340
L*D6000M6	4DJNR28ME	540,160	489,880	441,460	396,140	352,220	311,850	271,480	234,480	199,480
L*D7000M6	6DHNR35ME	662,080	601,540	542,820	486,640	433,480	385,770	338,060	296,960	260,840
L*D8000M6	6DJNR40ME	787,700	715,420	645,240	578,160	514,780	458,050	401,320	352,800	310,520

Model	Compressor (2 each)	Capacity BTUH @ 95°F Ambient by SST								
		30°F	25°F	20°F	15°F	10°F	5°F	0°F	-5°F	-10°F
L*D3000M6	3DS3R17ME	307,460	278,740	251,120	225,200	200,300	178,020	155,740	136,160	118,660
L*D4000M6	4DBNR20ME	375,040	341,740	310,180	279,580	250,600	224,220	197,840	174,040	151,940
L*D5000M6	4DHNR22ME	419,420	381,940	345,440	310,960	278,100	248,670	219,240	192,680	168,080
L*D5200M6	4DHNR22ME	429,880	389,660	351,560	315,640	282,360	251,950	221,540	194,440	169,520
L*D6000M6	4DJNR28ME	520,100	471,640	424,960	380,940	338,700	299,680	260,660	224,900	191,060
L*D7000M6	6DHNR35ME	641,580	583,180	526,400	471,920	420,340	373,690	327,040	286,620	250,900
L*D8000M6	6DJNR40ME	762,900	693,380	625,760	560,760	499,240	443,880	388,520	340,900	299,200

Model	Compressor (2 each)	Capacity BTUH @ 100°F Ambient by SST								
		30°F	25°F	20°F	15°F	10°F	5°F	0°F	-5°F	-10°F
L*D3000M6	3DS3R17ME	295,900	268,460	241,980	217,020	192,940	171,270	149,600	130,480	113,240
L*D4000M6	4DBNR20ME	359,820	327,960	297,320	268,400	240,540	215,140	189,740	166,780	145,440
L*D5000M6	4DHNR22ME	402,560	366,220	331,740	298,620	267,080	238,720	210,360	184,720	160,960
L*D5200M6	4DHNR22ME	413,140	374,580	337,960	303,480	271,160	241,930	212,700	186,560	162,480
L*D6000M6	4DJNR28ME	499,340	452,740	407,940	365,440	324,760	287,210	249,660	215,040	182,420
L*D7000M6	6DHNR35ME	620,760	564,440	509,700	457,080	406,760	361,240	315,720	275,940	240,620
L*D8000M6	6DJNR40ME	738,040	671,220	605,920	543,020	483,400	429,420	375,440	328,700	287,580

Model	Compressor (2 each)	Capacity BTUH @ 110°F Ambient by SST								
		30°F	25°F	20°F	15°F	10°F	5°F	0°F	-5°F	-10°F
L*D3000M6	3DS3R17ME	273,000	248,000	223,740	200,400	178,120	157,710	137,300	119,000	102,380
L*D4000M6	4DBNR20ME	-	299,900	272,400	245,540	219,900	196,460	173,020	151,740	132,040
L*D5000M6	4DHNR22ME	368,320	335,240	303,760	273,380	244,580	218,290	192,000	168,240	146,260
L*D5200M6	4DHNR22ME	379,100	343,780	310,180	278,660	248,620	221,560	194,500	170,360	147,800
L*D6000M6	4DJNR28ME	456,060	413,300	372,500	333,020	295,520	260,980	226,440	194,480	164,440
L*D7000M6	6DHNR35ME	578,000	526,280	475,240	426,360	378,840	335,460	292,080	253,640	219,260
L*D8000M6	6DJNR40ME	687,220	625,580	565,240	506,700	450,600	399,390	348,180	303,260	263,440

NOTES:

L*D = LDD is Adjustable Head Pressure Control, LDD*PP is Parallel Piped

For 50 cycle capacity, multiply values by .86

LOW SUCTION TEMPERATURE APPLICATIONS IN THESE RANGES REQUIRE THE ADDITION OF A HEAD FAN

PERFORMANCE DATA: DUAL COMPRESSOR MODELS

Low Temperature R-404A/R-507

Model	Compressor	Capacity BTUH @ 90°F Ambient by SST					
		0°F	-10°F	-15°F	-20°F	-30°F	-40°F
L*D2400L6	4DBNF54KE	202,800	163,600	146,200	129,800	99,600	71,000
L*D3000L6	4DHNF63KE	223,400	184,800	166,800	149,200	116,400	88,200
L*D4400L6	4DJNF76KE	261,800	220,600	198,800	178,000	138,800	103,800
L*D5400L6	6DHNF93KE	334,000	276,600	247,000	220,800	170,000	127,400
L*D6000L6	6DJNF11ME	375,800	311,200	278,000	248,600	192,000	145,200

Model	Compressor	Capacity BTUH @ 95°F Ambient by SST					
		0°F	-10°F	-15°F	-20°F	-30°F	-40°F
L*D2400L6	4DBNF54KE	194,200	156,800	140,000	124,200	95,200	66,000
L*D3000L6	4DHNF63KE	210,600	176,200	158,800	141,800	110,200	83,000
L*D4400L6	4DJNF76KE	248,400	208,600	188,400	168,400	130,600	96,200
L*D5400L6	6DHNF93KE	316,200	261,800	236,200	209,600	160,400	118,400
L*D6000L6	6DJNF11ME	357,800	294,400	265,200	235,400	180,600	135,200

Model	Compressor	Capacity BTUH @ 100°F Ambient by SST					
		0°F	-10°F	-15°F	-20°F	-30°F	-40°F
L*D2400L6	4DBNF54KE	185,600	149,800	133,600	118,200	89,200	61,000
L*D3000L6	4DHNF63KE	201,600	167,800	151,000	134,600	104,000	77,400
L*D4400L6	4DJNF76KE	235,800	198,200	178,000	158,800	122,200	88,600
L*D5400L6	6DHNF93KE	300,800	248,800	224,200	198,600	150,600	109,400
L*D6000L6	6DJNF11ME	339,800	280,600	251,200	222,440	169,000	124,400

Model	Compressor	Capacity BTUH @ 110°F Ambient by SST					
		0°F	-10°F	-15°F	-20°F	-30°F	-40°F
L*D2400L6	4DBNF54KE	-	135,200	120,200	105,800	78,000	50,200
L*D3000L6	4DHNF63KE	180,600	150,800	135,400	120,400	91,600	66,600
L*D4400L6	4DJNF76KE	209,600	175,000	158,200	140,600	106,000	73,400
L*D5400L6	6DHNF93KE	270,600	224,600	200,400	176,600	131,400	91,400
L*D6000L6	6DJNF11ME	302,400	250,400	223,400	196,800	146,400	102,800

NOTES:

L*D = LDD is Adjustable Head Pressure Control, LDDS is IntelliGen™/Beacon II™, LDD*PP is Parallel Piped
 For 50 cycle capacity, multiply values by .86

PERFORMANCE DATA: DUAL COMPRESSOR MODELS

Low Temperature† R-407A/R-407F - Demand Cooling is required for all applications

Model	Compressor (2 each)	Capacity BTUH @ 90°F Ambient by SST						
		0°F	-10°F	-15°F	-20°F	-25°F	-30°F	-40°F
L*D2400L6	4DBNF54KE	188,960	148,460	129,400	111,360	95,180	79,000	51,780
L*D3000L6	4DHNF63KE	216,780	173,080	152,360	132,740	114,960	97,180	67,180
L*D4400L6	4DJNF76KE	274,820	213,360	185,780	160,740	139,930	119,120	89,340
L*D5400L6	6DHNF93KE	321,380	250,440	218,940	189,380	162,630	135,880	86,840
L*D6000L6	6DJNF11ME	390,440	305,520	267,020	230,920	198,280	165,640	105,600

Model	Compressor (2 each)	Capacity BTUH @ 95°F Ambient by SST						
		0°F	-10°F	-15°F	-20°F	-25°F	-30°F	-40°F
L*D2400L6	4DBNF54KE	180,060	141,300	122,940	105,480	89,780	74,080	47,580
L*D3000L6	4DHNF63KE	207,300	165,240	145,340	126,380	109,190	92,000	62,880
L*D4400L6	4DJNF76KE	262,900	203,240	176,580	152,520	132,750	112,980	85,380
L*D5400L6	6DHNF93KE	307,100	238,620	207,960	179,240	153,190	127,140	79,180
L*D6000L6	6DJNF11ME	372,820	290,800	253,620	218,340	186,580	154,820	96,100

Model	Compressor (2 each)	Capacity BTUH @ 100°F Ambient by SST						
		0°F	-10°F	-15°F	-20°F	-25°F	-30°F	-40°F
L*D2400L6	4DBNF54KE	171,420	133,980	116,200	99,480	84,210	68,940	43,140
L*D3000L6	4DHNF63KE	197,920	157,380	138,180	119,880	103,270	86,660	58,420
L*D4400L6	4DJNF76KE	250,460	193,000	167,200	144,160	125,430	106,700	81,200
L*D5400L6	6DHNF93KE	292,420	226,260	196,500	168,580	143,250	117,920	71,020
L*D6000L6	6DJNF11ME	354,680	275,540	239,200	205,200	174,290	143,380	85,960

Model	Compressor (2 each)	Capacity BTUH @ 110°F Ambient by SST						
		0°F	-10°F	-15°F	-20°F	-25°F	-30°F	-40°F
L*D2400L6	4DBNF54KE	153,600	118,640	102,340	86,660	72,340	58,020	33,600
L*D3000L6	4DHNF63KE	178,840	141,380	123,620	106,840	91,340	75,840	49,200
L*D4400L6	4DJNF76KE	225,060	171,600	148,060	127,300	110,500	93,700	72,260
L*D5400L6	6DHNF93KE	261,800	200,260	172,200	146,280	122,150	98,020	53,100
L*D6000L6	6DJNF11ME	317,020	243,440	209,220	177,680	148,240	118,800	63,700

NOTES:
 L*D = LDD is Adjustable Head Pressure Control, LDD*PP is Parallel Piped
 † = Demand Cooling is required for operation at Low Temperature Applications
 For 50 cycle capacity, multiply values by .86

PERFORMANCE DATA: DUAL COMPRESSOR MODELS

Low Temperature† R-407C - Demand Cooling is required for all applications

Model	Compressor (2 each)	Capacity BTUH @ 90°F Ambient by SST						
		0°F	-10°F	-15°F	-20°F	-25°F	-30°F	-40°F
L*D2400L6	4DBNF54KE	166,180	126,320	108,840	92,800	78,930	65,060	42,560
L*D3000L6	4DHNF63KE	191,040	147,140	128,020	110,480	95,320	80,160	55,120
L*D4400L6	4DJNF76KE	224,780	171,020	148,980	129,400	112,600	95,800	65,860
L*D5400L6	6DHNF93KE	281,520	217,700	187,600	159,580	134,720	109,860	71,780
L*D6000L6	6DJNF11ME	333,160	257,220	221,680	188,980	160,110	131,240	86,040

Model	Compressor (2 each)	Capacity BTUH @ 95°F Ambient by SST						
		0°F	-10°F	-15°F	-20°F	-25°F	-30°F	-40°F
L*D2400L6	4DBNF54KE	159,440	120,800	103,640	88,020	74,450	60,880	38,820
L*D3000L6	4DHNF63KE	183,720	140,900	122,300	105,240	90,460	75,680	51,300
L*D4400L6	4DJNF76KE	216,560	164,860	143,400	124,380	107,970	91,560	62,120
L*D5400L6	6DHNF93KE	270,960	208,540	179,220	151,500	126,980	102,460	64,260
L*D6000L6	6DJNF11ME	319,960	246,100	211,560	179,380	150,990	122,600	77,720

Model	Compressor (2 each)	Capacity BTUH @ 100°F Ambient by SST						
		0°F	-10°F	-15°F	-20°F	-25°F	-30°F	-40°F
L*D2400L6	4DBNF54KE	152,560	114,920	98,240	82,980	69,720	56,460	34,920
L*D3000L6	4DHNF63KE	175,940	134,520	116,440	99,800	85,390	70,980	47,240
L*D4400L6	4DJNF76KE	208,140	158,240	137,460	119,000	102,990	86,980	58,000
L*D5400L6	6DHNF93KE	260,180	199,100	170,400	142,960	118,810	94,660	56,660
L*D6000L6	6DJNF11ME	306,640	234,540	201,020	169,220	141,400	113,580	69,060

Model	Compressor (2 each)	Capacity BTUH @ 110°F Ambient by SST						
		0°F	-10°F	-15°F	-20°F	-25°F	-30°F	-40°F
L*D2400L6	4DBNF54KE	137,880	102,440	86,640	72,020	59,500	46,980	26,340
L*D3000L6	4DHNF63KE	160,140	121,260	104,080	88,360	74,680	61,000	38,380
L*D4400L6	4DJNF76KE	189,460	143,300	123,780	106,420	91,330	76,240	48,200
L*D5400L6	6DHNF93KE	238,320	180,080	152,280	125,560	105,540	85,520	49,460
L*D6000L6	6DJNF11ME	279,760	211,540	179,420	148,680	121,740	94,800	50,740

NOTES:
 L*D = LDD is Adjustable Head Pressure Control, LDD*PP is Parallel Piped
 † = Demand Cooling is required for operation at Low Temperature Applications
 For 50 cycle capacity, multiply values by .86

PERFORMANCE DATA: DUAL COMPRESSOR MODELS

Low Temperature† R-448A/R-449A - Demand Cooling is required for all applications

Model	Compressor	Capacity BTUH @ 90°F Ambient by SST						
		0°F	-10°F	-15°F	-20°F	-25°F	-30°F	-40°F
L*D2400L6	4DBNF54KE	186,320	145,522	126,640	109,000	93,630	78,260	53,880
L*D3000L6	4DHNF63KE	213,860	169,704	149,100	129,940	113,260	96,580	70,700
L*D4400L6	4DJNF76KE	269,480	208,546	182,400	158,740	137,710	116,680	76,860
L*D5400L6	6DHNF93KE	318,560	246,548	214,840	185,700	160,320	134,940	91,780
L*D6000L6	6DJNF11ME	387,420	300,712	262,220	226,600	195,420	164,240	109,800

Model	Compressor	Capacity BTUH @ 95°F Ambient by SST						
		0°F	-10°F	-15°F	-20°F	-25°F	-30°F	-40°F
L*D2400L6	4DBNF54KE	178,220	138,932	120,600	103,480	88,500	73,520	49,600
L*D3000L6	4DHNF63KE	205,180	162,536	142,600	124,040	107,860	91,680	66,480
L*D4400L6	4DJNF76KE	258,620	199,434	173,840	150,700	130,080	109,460	70,180
L*D5400L6	6DHNF93KE	305,380	235,726	204,640	176,240	151,420	126,600	84,100
L*D6000L6	6DJNF11ME	371,100	287,066	249,780	214,780	184,250	153,720	100,100

Model	Compressor	Capacity BTUH @ 100°F Ambient by SST						
		0°F	-10°F	-15°F	-20°F	-25°F	-30°F	-40°F
L*D2400L6	4DBNF54KE	170,140	132,078	114,340	97,840	83,200	68,560	45,020
L*D3000L6	4DHNF63KE	196,420	155,210	136,020	118,020	102,330	86,640	62,120
L*D4400L6	4DJNF76KE	247,700	189,970	165,160	142,720	122,420	102,120	63,460
L*D5400L6	6DHNF93KE	291,780	224,184	193,940	166,480	142,120	117,760	75,900
L*D6000L6	6DJNF11ME	354,240	272,822	236,180	202,360	172,500	142,640	89,580

Model	Compressor	Capacity BTUH @ 110°F Ambient by SST						
		0°F	-10°F	-15°F	-20°F	-25°F	-30°F	-40°F
L*D2400L6	4DBNF54KE	153,540	117,776	101,360	85,760	71,870	57,980	35,360
L*D3000L6	4DHNF63KE	178,780	140,404	122,520	105,800	91,050	76,300	53,100
L*D4400L6	4DJNF76KE	225,680	171,216	147,640	126,260	106,750	87,240	49,820
L*D5400L6	6DHNF93KE	263,120	199,592	171,100	145,200	121,860	98,520	—
L*D6000L6	6DJNF11ME	318,900	242,360	207,880	176,220	147,500	118,780	—

NOTES:
 L*D = LDD is Adjustable Head Pressure Control, LDD*PP is Parallel Piped
 † = Demand Cooling is required for operation at Low Temperature Applications
 For 50 cycle capacity, multiply values by .86

ELECTRICAL DATA: DUAL COMPRESSOR MODELS

208-230 Volts

Model	Compressor Model (2 each)	Condensing Unit						Remote Loads: Two Contactors†				Remote Loads: One Contactor†			
		Compressor		Condenser		Air Defrost/ IntelliGen™/ Beacon II™		Evap. Fan Amps	Defrost Htrs. Amps	Electric Defrost		Evap. Fan Amps	Defrost Htrs. Amps	Electric Defrost	
		RLA	LRA	No. Fans	FLA (Total)	MCA	MOPD			MCA	MOPD			MCA	MOPD
L*D3000M6	3DS3R17ME	59.6	275	4	19.2	139.6	175	25	96	192	225	25	96	192	225
L*D4000M6	4DBNR20ME	64.7	308	4	19.2	161.6	225	25	108	216	250	20	96	201.6	250
L*D5000M6	4DHR22ME	82.2	428	4	19.2	185.1	250	30	136.4	272.8	300	-	-	-	-
L*D5200M6	4DHR22ME	82.2	428	4	28	193.9	250	30	136.4	272.8	300	-	-	-	-
L*D6000M6	4DJNR28ME	94.6	470	4	28	240.9	300	-	-	-	-	-	-	-	-
L*D7000M6	6DHR35ME	107	565	6	42	258.3	350	-	-	-	-	-	-	-	-
L*D8000M6	6DJNR40ME	128.2	594	6	42	330.5	450	-	-	-	-	-	-	-	-
L*D2400L6	4DBNF54KE	46	220	4	19.2	119.5	150	22	64	163.5	200	15	48	149.5	175
L*D3000L6	4DHRF63KE	52.6	278	4	19.2	125.4	150	25	83	175.4	200	15	48	155.4	200
L*D4400L6	4DJNF76KE	66	374	4	19.2	149	200	25	105	210	250	15	48	179	225
L*D5400L6	6DHRF93KE	80.8	450	4	19.2	182.2	250	25	106	232.2	300	20	96	222.2	250
L*D6000L6	6DJNF11ME	95.6	470	4	28	221	300	30	159.1	318.2	350	20	96	261	300

460 Volts

Model	Compressor Model (2 each)	Condensing Unit						Remote Loads: Two Contactors†				Remote Loads: One Contactor†			
		Compressor		Condenser		Air Defrost/ IntelliGen™/ Beacon II™		Evap. Fan Amps	Defrost Htrs. Amps	Electric Defrost		Evap. Fan Amps	Defrost Htrs. Amps	Electric Defrost	
		RLA	LRA	No. Fans	FLA (Total)	MCA	MOPD			MCA	MOPD			MCA	MOPD
L*D3000M6	3DS3R17ME	29	138	4	8	68.2	90	15	56.8	113.6	125	15	48	98.2	110
L*D4000M6	4DBNR20ME	32.4	154	4	9.6	80.9	110	15	56.8	113.6	125	15	48	110.9	125
L*D5000M6	4DHR22ME	41.1	214	4	8	92.5	125	20	67	134	150	15	68.2	136.4	150
L*D5200M6	4DHR22ME	41.1	214	4	14	96.9	125	20	79.5	159	175	15	68.2	136.4	150
L*D6000M6	4DJNR28ME	47.3	235	4	14	120.4	150	20	77	160.4	200	20	77	160.4	200
L*D7000M6	6DHR35ME	56.2	283	6	21	147.5	200	20	84	169.2	200	20	84	169.2	200
L*D8000M6	6DJNR40ME	64.1	297	6	21	165.2	225	20	96	205.2	250	20	96	205.2	250
L*D2400L6	4DBNF54KE	23	110	4	9.6	59.8	80	15	38	89.8	110	10	24	79.8	100
L*D3000L6	4DHRF63KE	26.3	139	4	9.6	62.7	80	15	48	96	110	15	40	92.7	110
L*D4400L6	4DJNF76KE	33	187	4	9.6	74.5	100	15	56.8	113.6	125	15	48	104.5	125
L*D5400L6	6DHRF93KE	40.4	225	4	9.6	91.1	125	15	64	128	150	15	48	121.1	150
L*D6000L6	6DJNF11ME	47.8	235	4	14	110.5	150	20	76	152	175	15	48	140.5	175

NOTES:

L*D = LDD is Adjustable Head Pressure Control, LDDS is IntelliGen™/Beacon II™, LDD*PP is Parallel Piped

MCA = Minimum Circuit Ampacity

MOP = Maximum Overcurrent Protection

† = Number of Contactors per Compressor

Loads are shown per compressor circuit

Contact factory for 575 volt electrical specification.

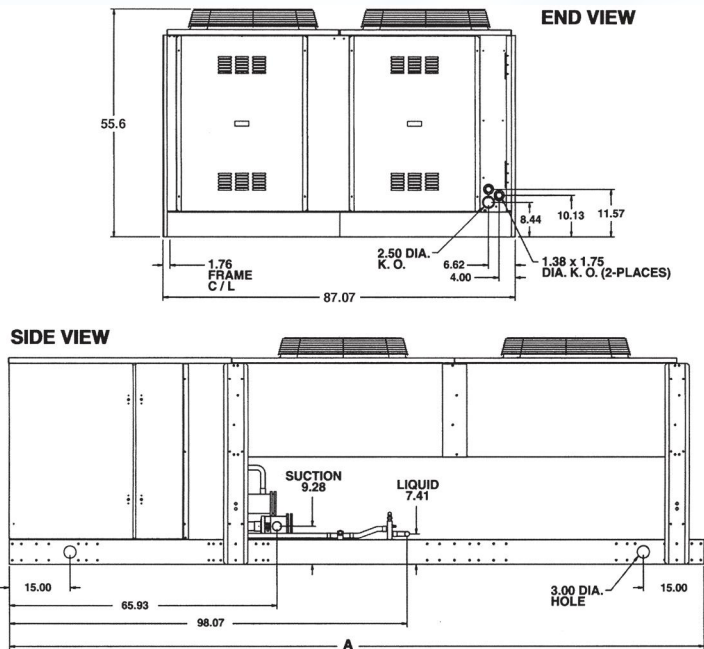
UNIT SPECIFICATIONS: DUAL COMPRESSOR MODELS

Model	Compressor (2 each)	Condenser Fan Data		Connections (in.)				Receiver 90% Full (Lbs)		Dimension A (in.)	Net Weight (Lbs)
				Standard (2 Each)		Parallel Piped		Standard	Parallel Piped		
		No. Fans	Dia.	Liquid	Suction	Liquid	Suction				
L*D3000M6	3DS3R17ME	4	26"	7/8	1-5/8	1-1/8	2-1/8	123	188	144	3,160
L*D4000M6	4DBNR20ME	4	26"	7/8	2-1/8	1-1/8	2-5/8	123	188	144	3,160
L*D5000M6	4DHNR22ME	4	26"	1-1/8	2-1/8	1-3/8	2-5/8	123	269	144	3,230
L*D5200M6	4DHNR22ME	4	30"	1-1/8	2-1/8	1-3/8	2-5/8	123	269	171	3,520
L*D6000M6	4DJNR28ME	4	30"	1-1/8	2-1/8	1-3/8	2-5/8	188	269	171	3,720
L*D7000M6	6DHNR35ME	6	30"	1-1/8	2-1/8	1-5/8	3-1/8	188	363	226	4,320
L*D8000M6	6DJNR40ME	6	30"	1-1/8	2-1/8	1-5/8	3-1/8	188	363	226	4,760
L*D2400L6	4DBNF54KE	4	26"	7/8	1-5/8	1-1/8	2-1/8	81	188	144	3,000
L*D3000L6	4DHNF63KE	4	26"	7/8	1-5/8	1-1/8	2-5/8	81	188	144	3,000
L*D4400L6	4DJNF76KE	4	26"	7/8	2-1/8	1-1/8	2-5/8	81	188	144	3,000
L*D5400L6	6DHNF93KE	4	26"	1-1/8	2-1/8	1-3/8	3-1/8	123	269	144	3,770
L*D6000L6	6DJNF11ME	4	30"	1-1/8	2-1/8	1-3/8	3-1/8	123	269	171	3,770

NOTES:

L*D = LDD is Adjustable Head Pressure Control, LDDS is IntelliGen™/Beacon II™, LDD*PP is Parallel Piped

Dimensional Drawing



AWEF VALUES: MEDIUM/HIGH TEMPERATURE CONDENSING UNITS COOLER APPLICATION

Model	Outdoor / IntelliGen™/Beacon II™			
	R404A/R507A	R407A	R407C	R448A/R449A
LDD*3000M6	9.44	9.18	8.95	9.37
LDD*4000M6	9.06	9.03	8.93	9.30
LDD*5000M6	9.60	9.09	9.23	9.35
LDD*5200M6	9.24	8.62	8.65	8.81
LDD*6000M6	9.46	9.00	8.82	9.17
LDD*7000M6	9.16	8.60	8.21	8.76
LDD*8000M6	9.02	8.74	8.70	8.98

These refrigeration systems are designed and certified for use in walk-in cooler applications.

* Blank = Outdoors, S = IntelliGen™/Beacon II™

^ Suffix of PP indicates Outdoor Parallel Piped



2175 West Park Place Blvd. · Stone Mountain, GA 30087
Phone: 800.537.7775 · Fax: 770.465.5900
heatcraftprd.com



Since product improvement is a continuing effort, we reserve the right to make changes in specifications without notice.

LK-VADTB-1118 | Version 001