



PRODUCT DATA & SPECIFICATIONS

Bulletin T40-R-PDS-17
Part # 1064623

R-Line Condensing Units

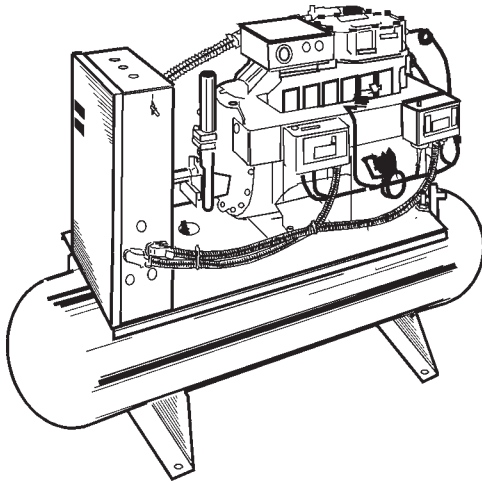
60
Hz

Indoor Condensing Units
for Remote Condenser

1/2 to 40 HP -
High, Medium and Low
Temperature Refrigeration

PRODUCT SUPPORT
 web: t-rp.com/r
 email: rcu-wccu@t-rp.com
 call: 1-844-893-3222 x523

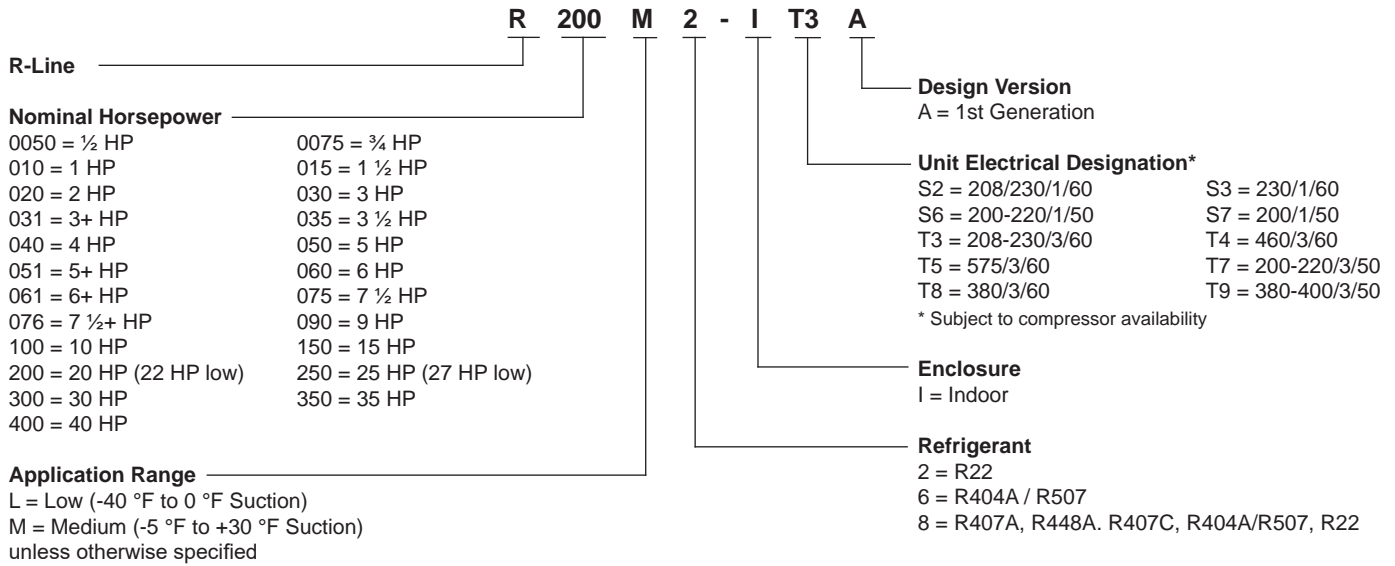
scan: 



CONTENTS

	Page
Nomenclature.....	2
Features and Options.....	2
Capacity Data (Imperial and <i>Metric</i>).....	3 - 19
Electrical Data.....	20 - 21
Dimensional Data.....	22
Specifications.....	23
Wiring Diagrams.....	24 - 26
Project Information.....	23
Product Support Resources.....	BACK

NOMENCLATURE



STANDARD FEATURES

- Compatible with Low GWP Refrigerants
- Sturdy electrical control box with compressor contactor and fused control circuit
- Spring mounted, accessible semi-hermetic compressor
- Compressor cooling fan (low temp. models and air cooled compressors only) on L6 units
- Sealed liquid line filter drier and sight glass on 5.0 hp - up
- Copper tubing secured with Hydra-Zorb / Cush-A-Clamp
- Receiver with fusible plug or pressure relief valve and liquid shut off valve
- Flex hose on all controls
- Adjustable dual high / low pressure control
- CoreSense™ on all applicable models
- Suction and discharge service valves
- Electronic liquid injection on L8 units

OPTIONAL FEATURES (Factory Mounted)

- Suction accumulator with or without heat exchanger
- Sealed or replaceable core suction filter with vibration eliminator
- Oil separator c/w oil return solenoid valve
- Over-sized receiver
- Receiver inlet valve
- Discharge vibration eliminator
- Sealed liquid line filter drier and sight glass
- Liquid line solenoid valve w/ 115 and 230 volt coils (shipped loose)
- Ball valve (shipped loose)
- Two valve adjustable flooded head pressure control
- Replaceable core liquid line filter drier
- Compressor circuit breaker
- Compressor time delay relay
- Pump down toggle switch
- Time Clock - Factory mounted and wired or shipped loose
- Defrost contactor with fuse block
- Evaporator fan contactor with fuse block
- Fused disconnect
- Phase / voltage monitor
- Compressor Unloading

**OTHER OPTIONS AVAILABLE
AT YOUR REQUEST -
CONSULT FACTORY FOR PRICING**

CAPACITY DATA - **R407A** HIGH / MEDIUM TEMPERATURE

Application Data calculated at 65°F Return Gas, 0°F Liquid Subcooling

MODEL R	SATURATED SUCTION TEMPERATURE		CAPACITY BTU/H (WATTS) R407A						CONDENSING TEMPERATURE °F (°C)					
	°F	°C	100	(37.8)	105	(40.6)	110	(43.3)	115	(46.1)	120	(48.9)	125	(51.7)
R050M8 Compressor Model 2DC3R53KE	40	(4.4)	70100	(20540)	67100	(19660)	64200	(18820)	61200	(17940)	58300	(17090)	55400	(16240)
	35	(1.7)	62400	(18290)	59700	(17500)	57000	(16700)	54300	(15910)	51700	(15150)	49000	(14360)
	30	(-1.1)	55300	(16210)	52900	(15500)	50400	(14770)	48000	(14070)	45600	(13360)	43200	(12660)
	25	(-3.9)	48900	(14330)	46600	(13660)	44400	(13010)	42300	(12400)	40100	(11750)	38000	(11140)
	20	(-6.7)	43000	(12600)	41000	(12020)	39000	(11430)	37100	(10870)	35200	(10320)	33300	(9760)
	15	(-9.4)	37700	(11050)	35900	(10520)	34200	(10020)	32400	(9500)	30800	(9030)	29100	(8530)
	10	(-12.2)	33000	(9670)	31400	(9200)	29900	(8760)	28300	(8290)	26900	(7880)	25500	(7470)
	5	(-15.0)	28800	(8440)	27400	(8030)	26100	(7650)	24800	(7270)	23500	(6890)	22300	(6540)
	0	(-17.8)	25100	(7360)	23900	(7000)	22800	(6680)	21700	(6360)	20600	(6040)	19600	(5740)
R051M8 Compressor Model 2DD3R63KE	40	(4.4)	80900	(23710)	77600	(22740)	74300	(21780)	70900	(20780)	67600	(19810)	64400	(18870)
	35	(1.7)	72200	(21160)	69100	(20250)	66100	(19370)	63100	(18490)	60100	(17610)	57100	(16730)
	30	(-1.1)	64100	(18790)	61400	(17990)	58600	(17170)	55900	(16380)	53200	(15590)	50500	(14800)
	25	(-3.9)	56800	(16650)	54300	(15910)	51800	(15180)	49300	(14450)	46900	(13740)	44600	(13070)
	20	(-6.7)	50000	(14650)	47800	(14010)	45600	(13360)	43400	(12720)	41300	(12100)	39200	(11490)
	15	(-9.4)	44000	(12900)	42000	(12310)	40100	(11750)	38200	(11200)	36300	(10640)	34500	(10110)
	10	(-12.2)	38600	(11310)	36900	(10810)	35200	(10320)	33500	(9820)	32000	(9380)	30400	(8910)
	5	(-15.0)	33800	(9910)	32300	(9470)	30900	(9060)	29500	(8650)	28200	(8260)	26900	(7880)
	0	(-17.8)	29700	(8700)	28400	(8320)	27200	(7970)	26100	(7650)	25000	(7330)	24000	(7030)
R075M8 Compressor Model 2DL3R78KE	40	(4.4)	100600	(29480)	96800	(28370)	92800	(27200)	88900	(26050)	84900	(24880)	80900	(23710)
	35	(1.7)	90000	(26380)	86400	(25320)	82800	(24270)	79200	(23210)	75600	(22160)	72000	(21100)
	30	(-1.1)	80200	(23500)	77000	(22570)	73700	(21600)	70500	(20660)	67200	(19690)	64000	(18760)
	25	(-3.9)	71200	(20870)	68300	(20020)	65400	(19170)	62500	(18320)	59600	(17470)	56700	(16620)
	20	(-6.7)	63000	(18460)	60400	(17700)	57900	(16970)	55300	(16210)	52800	(15470)	50300	(14740)
	15	(-9.4)	55600	(16290)	53400	(15650)	51100	(14980)	48900	(14330)	46700	(13690)	44600	(13070)
	10	(-12.2)	49000	(14360)	47000	(13770)	45100	(13220)	43200	(12660)	41400	(12130)	39700	(11630)
	5	(-15.0)	43000	(12600)	41400	(12130)	39800	(11660)	38300	(11220)	36800	(10780)	35400	(10370)
	0	(-17.8)	37800	(11080)	36500	(10700)	35200	(10320)	34000	(9960)	32900	(9640)	31900	(9350)
R076M8 Compressor Model 3DA3R10ME	40	(4.4)	137300	(40240)	131900	(38660)	126500	(37070)	121100	(35490)	115700	(33910)	110400	(32350)
	35	(1.7)	123200	(36110)	118400	(34700)	113600	(33290)	108800	(31890)	104000	(30480)	99200	(29070)
	30	(-1.1)	110200	(32300)	105900	(31040)	101700	(29810)	97300	(28520)	93000	(27260)	88700	(26000)
	25	(-3.9)	98300	(28810)	94500	(27700)	90600	(26550)	86700	(25410)	82800	(24270)	78800	(23090)
	20	(-6.7)	87300	(25590)	83900	(24590)	80400	(23560)	76800	(22510)	73200	(21450)	69600	(20400)
	15	(-9.4)	77200	(22630)	74200	(21750)	71000	(20810)	67700	(19840)	64300	(18840)	60900	(17850)
	10	(-12.2)	68100	(19960)	65200	(19110)	62200	(18230)	59200	(17350)	56000	(16410)	52700	(15440)
	5	(-15.0)	59800	(17530)	57000	(16700)	54200	(15880)	51200	(15010)	48100	(14100)	44900	(13160)
	0	(-17.8)	52200	(15300)	49600	(14540)	46800	(13720)	43800	(12840)	40700	(11930)	37500	(10990)
R100M8 Compressor Model 3DB3R12ME	40	(4.4)	161400	(47300)	155400	(45540)	149300	(43760)	143200	(41970)	137000	(40150)	130900	(38360)
	35	(1.7)	145200	(42550)	139800	(40970)	134400	(39390)	128900	(37780)	123400	(36160)	117800	(34520)
	30	(-1.1)	130200	(38160)	125400	(36750)	120600	(35340)	115700	(33910)	110700	(32440)	105600	(30950)
	25	(-3.9)	116400	(34110)	112200	(32880)	107800	(31590)	103400	(30300)	98800	(28960)	94100	(27580)
	20	(-6.7)	103800	(30420)	100000	(29310)	96000	(28130)	91900	(26930)	87700	(25700)	83300	(24410)
	15	(-9.4)	92200	(27020)	88700	(26000)	85100	(24940)	81300	(23830)	77300	(22650)	73200	(21450)
	10	(-12.2)	81600	(23910)	78400	(22980)	75000	(21980)	71400	(20930)	67600	(19810)	63600	(18640)
	5	(-15.0)	72000	(21100)	68900	(20190)	65600	(19230)	62100	(18200)	58500	(17140)	54600	(16000)
	0	(-17.8)	63200	(18520)	60200	(17640)	57000	(16700)	53500	(15680)	49800	(14590)	45900	(13450)

NOTES: - Above ratings are based on mean temperature. - To convert to dew point ratings, use 0.95 multiplier.

table continues on next page >>>

HIGH / MEDIUM TEMPERATURE (cont'd)

Application Data calculated at 65°F Return Gas, 0°F Liquid Subcooling

MODEL R	SATURATED SUCTION TEMPERATURE °F °C	CAPACITY BTU/H (WATTS) R407A CONDENSING TEMPERATURE °F (°C)									
		100 (37.8)	105 (40.6)	110 (43.3)	115 (46.1)	120 (48.9)	125 (51.7)				
R150M8 Compressor Model 3DS3R17ME	40 (4.4)	214900 (62980)	206300 (60460)	197900 (58000)	189500 (55540)	181200 (53100)	173100 (50730)				
	35 (1.7)	193000 (56560)	185500 (54360)	178000 (52170)	170600 (50000)	163300 (47860)	156100 (45750)				
	30 (-1.1)	172900 (50670)	166300 (48740)	159700 (46800)	153200 (44900)	146700 (42990)	140200 (41090)				
	25 (-3.9)	154400 (45250)	148600 (43550)	142800 (41850)	137000 (40150)	131200 (38450)	125400 (36750)				
	20 (-6.7)	137500 (40300)	132300 (38770)	127100 (37250)	121900 (35730)	116700 (34200)	111500 (32680)				
	15 (-9.4)	121900 (35730)	117300 (34380)	112700 (33030)	108000 (31650)	103200 (30240)	98400 (28840)				
	10 (-12.2)	107700 (31560)	103500 (30330)	99300 (29100)	94900 (27810)	90500 (26520)	86000 (25200)				
	5 (-15.0)	94700 (27750)	90800 (26610)	86900 (25470)	82800 (24270)	78500 (23010)	74200 (21750)				
	0 (-17.8)	82800 (24270)	79200 (23210)	75300 (22070)	71300 (20900)	67200 (19690)	63000 (18460)				
R250M8 Compressor Model 4DHNR22ME	40 (4.4)	307000 (89970)	296000 (86750)	284400 (83350)	272400 (79830)	260000 (76200)	247400 (72510)				
	35 (1.7)	277600 (81360)	267300 (78340)	256600 (75200)	245400 (71920)	234000 (68580)	222300 (65150)				
	30 (-1.1)	249300 (73060)	239800 (70280)	229900 (67380)	219600 (64360)	209100 (61280)	198400 (58150)				
	25 (-3.9)	222400 (65180)	213600 (62600)	204500 (59930)	195100 (57180)	185500 (54360)	175900 (51550)				
	20 (-6.7)	197000 (57730)	189000 (55390)	180700 (52960)	172100 (50440)	163500 (47920)	154900 (45400)				
	15 (-9.4)	173300 (50790)	166100 (48680)	158600 (46480)	150900 (44220)	143300 (42000)	135700 (39770)				
	10 (-12.2)	151500 (44400)	145000 (42500)	138400 (40560)	131600 (38570)	125000 (36630)	118500 (34730)				
	5 (-15.0)	131800 (38630)	126100 (36960)	120300 (35260)	114500 (33560)	108800 (31890)	103300 (30270)				
	0 (-17.8)	114400 (33530)	109500 (32090)	104500 (30630)	99600 (29190)	94900 (27810)	90500 (26520)				
R300M8 Compressor Model 4DJNR28ME	40 (4.4)	357600 (104800)	345100 (101140)	332000 (97300)	318500 (93340)	304500 (89240)	290100 (85020)				
	35 (1.7)	323000 (94660)	311200 (91200)	299100 (87660)	286600 (83990)	273700 (80210)	260500 (76340)				
	30 (-1.1)	290200 (85050)	279400 (81880)	268200 (78600)	256700 (75230)	245000 (71800)	233000 (68290)				
	25 (-3.9)	259400 (76020)	249500 (73120)	239300 (70130)	228800 (67050)	218200 (63950)	207500 (60810)				
	20 (-6.7)	230600 (67580)	221600 (64940)	212300 (62220)	203000 (59490)	193600 (56740)	184100 (53950)				
	15 (-9.4)	203800 (59730)	195700 (57350)	187500 (54950)	179200 (52520)	171000 (50110)	162800 (47710)				
	10 (-12.2)	179000 (52460)	171800 (50350)	164700 (48270)	157600 (46190)	150500 (44110)	143600 (42080)				
	5 (-15.0)	156300 (45810)	150100 (43990)	144000 (42200)	138000 (40440)	132200 (38740)	126600 (37100)				
	0 (-17.8)	135700 (39770)	130400 (38220)	125400 (36750)	120600 (35340)	116000 (34000)	111700 (32740)				
R350M8 Compressor Model 6DHNR35ME	40 (4.4)	430200 (126080)	416900 (122180)	403500 (118250)	389700 (114210)	375500 (110050)	360700 (105710)				
	35 (1.7)	387900 (113680)	375600 (110080)	363200 (106440)	350400 (102690)	337200 (98820)	323400 (94780)				
	30 (-1.1)	350000 (102570)	338700 (99260)	327200 (95890)	315500 (92460)	303400 (88920)	290700 (85200)				
	25 (-3.9)	315800 (92550)	305500 (89530)	295100 (86480)	284400 (83350)	273400 (80130)	261800 (76730)				
	20 (-6.7)	284700 (83440)	275400 (80710)	266100 (77990)	256500 (75170)	246600 (72270)	236100 (69190)				
	15 (-9.4)	256200 (75080)	247900 (72650)	239700 (70250)	231200 (67760)	222300 (65150)	213000 (62420)				
	10 (-12.2)	229500 (67260)	222300 (65150)	215200 (63070)	207800 (60900)	200100 (58640)	192000 (56270)				
	5 (-15.0)	204100 (59820)	198000 (58030)	192000 (56270)	185800 (54450)	179200 (52520)	172300 (50500)				
	0 (-17.8)	179400 (52580)	174400 (51110)	169500 (49680)	164400 (48180)	159100 (46630)	153300 (44930)				
R400M8 Compressor Model 6DJNR40ME	40 (4.4)	528000 (154740)	508500 (149030)	488400 (143140)	467900 (137130)	447000 (131000)	425800 (124790)				
	35 (1.7)	471700 (138240)	455000 (133350)	437700 (128280)	420000 (123090)	402000 (117810)	383600 (112420)				
	30 (-1.1)	422600 (123850)	408200 (119630)	393300 (115260)	378000 (110780)	362300 (106180)	346300 (101490)				
	25 (-3.9)	379600 (111250)	367000 (107560)	354000 (103750)	340600 (99820)	326800 (95780)	312700 (91640)				
	20 (-6.7)	341300 (100020)	330200 (96770)	318600 (93370)	306600 (89860)	294300 (86250)	281700 (82560)				
	15 (-9.4)	306600 (89860)	296500 (86900)	285900 (83790)	274900 (80560)	263600 (77250)	252000 (73850)				
	10 (-12.2)	274300 (80390)	264700 (77580)	254700 (74640)	244300 (71600)	233500 (68430)	222400 (65180)				
	5 (-15.0)	243200 (71270)	233700 (68490)	223800 (65590)	213400 (62540)	202800 (59430)	191800 (56210)				
	0 (-17.8)	212200 (62190)	202300 (59290)	192000 (56270)	181300 (53130)	170300 (49910)	159000 (46600)				

NOTES: - Above ratings are based on mean temperature. - To convert to dew point ratings, use 0.95 multiplier.

LOW TEMPERATURE

Application Data calculated at 65°F Return Gas, 0°F Liquid Subcooling

MODEL R	SATURATED SUCTION TEMPERATURE		CAPACITY BTU/H (WATTS) R407A						CONDENSING TEMPERATURE °F (°C)					
	°F	°C	100 (37.8)	105 (40.6)	110 (43.3)	115 (46.1)	120 (48.9)	125 (51.7)	100 (37.8)	105 (40.6)	110 (43.3)	115 (46.1)	120 (48.9)	125 (51.7)
R035L8 Compressor Model 2DF3F16KE	0 (-17.8)		31900 (9350)	30400 (8910)	28900 (8470)	27400 (8030)	26000 (7620)	24500 (7180)						
	-5 (-20.6)		27300 (8000)	26000 (7620)	24700 (7240)	23400 (6860)	22100 (6480)	20800 (6100)						
	-10 (-23.3)		23400 (6860)	22200 (6510)	21000 (6150)	19900 (5830)	18700 (5480)	17600 (5160)						
	-15 (-26.1)		19900 (5830)	18900 (5540)	17800 (5220)	16800 (4920)	15800 (4630)	14800 (4340)						
	-20 (-28.9)		16900 (4950)	16000 (4690)	15100 (4430)	14200 (4160)	13300 (3900)	12400 (3630)						
	-25 (-31.7)		14200 (4160)	13400 (3930)	12600 (3690)	11800 (3460)	11000 (3220)	10300 (3020)						
	-30 (-34.4)		11900 (3490)	11100 (3250)	10400 (3050)	9700 (2840)	9000 (2640)	8300 (2430)						
	-35 (-37.2)		9600 (2810)	9000 (2640)	8300 (2430)	7700 (2260)	7000 (2050)	6400 (1880)						
-40 (-40.0)		7500 (2200)	6900 (2020)	6300 (1850)	5700 (1670)	5100 (1490)	4600 (1350)							
R040L8 Compressor Model 2DL3F20KE	0 (-17.8)		37100 (10870)	35600 (10430)	34100 (9990)	32500 (9520)	30800 (9030)	29100 (8530)						
	-5 (-20.6)		32400 (9500)	31000 (9090)	29600 (8670)	28100 (8240)	26600 (7800)	25100 (7360)						
	-10 (-23.3)		28100 (8240)	26800 (7850)	25500 (7470)	24200 (7090)	22800 (6680)	21400 (6270)						
	-15 (-26.1)		24100 (7060)	22900 (6710)	21700 (6360)	20500 (6010)	19300 (5660)	18000 (5280)						
	-20 (-28.9)		20400 (5980)	19400 (5690)	18300 (5360)	17200 (5040)	16100 (4720)	15000 (4400)						
	-25 (-31.7)		17100 (5010)	16100 (4720)	15200 (4450)	14200 (4160)	13300 (3900)	12400 (3630)						
	-30 (-34.4)		14000 (4100)	13200 (3870)	12400 (3630)	11600 (3400)	10800 (3170)	10000 (2930)						
	-35 (-37.2)		11300 (3310)	10600 (3110)	9900 (2900)	9300 (2730)	8600 (2520)	8000 (2340)						
-40 (-40.0)		8900 (2610)	8300 (2430)	7800 (2290)	7300 (2140)	6800 (1990)	6300 (1850)							
R060L8 Compressor Model 2DA3F23KE	0 (-17.8)		43200 (12660)	41500 (12160)	39700 (11630)	37800 (11080)	35800 (10490)	33800 (9910)						
	-5 (-20.6)		37700 (11050)	36100 (10580)	34400 (10080)	32700 (9580)	30900 (9060)	29000 (8500)						
	-10 (-23.3)		32700 (9580)	31200 (9140)	29600 (8670)	28000 (8210)	26400 (7740)	24600 (7210)						
	-15 (-26.1)		28000 (8210)	26700 (7820)	25200 (7390)	23800 (6980)	22300 (6540)	20800 (6100)						
	-20 (-28.9)		23800 (6980)	22600 (6620)	21300 (6240)	20000 (5860)	18700 (5480)	17400 (5100)						
	-25 (-31.7)		20000 (5860)	18800 (5510)	17700 (5190)	16600 (4860)	15500 (4540)	14400 (4220)						
	-30 (-34.4)		16500 (4840)	15500 (4540)	14600 (4280)	13600 (3990)	12700 (3720)	11800 (3460)						
	-35 (-37.2)		13300 (3900)	12500 (3660)	11700 (3430)	11000 (3220)	10300 (3020)	9600 (2810)						
-40 (-40.0)		10400 (3050)	9800 (2870)	9200 (2700)	8700 (2550)	8200 (2400)	7800 (2290)							
R061L8 Compressor Model 3DA3F28KE	0 (-17.8)		53000 (15530)	50800 (14890)	48600 (14240)	46300 (13570)	44000 (12900)	41700 (12220)						
	-5 (-20.6)		46000 (13480)	44000 (12900)	42000 (12310)	39900 (11690)	37800 (11080)	35700 (10460)						
	-10 (-23.3)		39800 (11660)	38000 (11140)	36100 (10580)	34200 (10020)	32300 (9470)	30300 (8880)						
	-15 (-26.1)		34300 (10050)	32600 (9550)	30900 (9060)	29100 (8530)	27400 (8030)	25500 (7470)						
	-20 (-28.9)		29300 (8590)	27800 (8150)	26200 (7680)	24600 (7210)	22900 (6710)	21200 (6210)						
	-25 (-31.7)		24900 (7300)	23400 (6860)	21900 (6420)	20400 (5980)	18800 (5510)	17200 (5040)						
	-30 (-34.4)		20700 (6070)	19400 (5690)	18000 (5280)	16500 (4840)	15000 (4400)	13500 (3960)						
	-35 (-37.2)		16900 (4950)	15600 (4570)	14200 (4160)	12800 (3750)	11400 (3340)	9900 (2900)						
-40 (-40.0)		13300 (3900)	12000 (3520)	10600 (3110)	9300 (2730)	8000 (2320)	6800 (1990)							
R075L8 Compressor Model 3DB3F33KE	0 (-17.8)		63500 (18610)	60900 (17850)	58300 (17090)	55700 (16320)	53200 (15590)	50700 (14860)						
	-5 (-20.6)		55500 (16270)	53100 (15560)	50700 (14860)	48300 (14160)	45900 (13450)	43600 (12780)						
	-10 (-23.3)		48500 (14210)	46200 (13540)	44000 (12900)	41700 (12220)	39500 (11580)	37300 (10930)						
	-15 (-26.1)		42200 (12370)	40100 (11750)	37900 (11110)	35800 (10490)	33700 (9880)	31600 (9260)						
	-20 (-28.9)		36400 (10670)	34500 (10110)	32500 (9520)	30500 (8940)	28500 (8350)	26500 (7770)						
	-25 (-31.7)		31200 (9140)	29300 (8590)	27500 (8060)	25600 (7500)	23700 (6950)	21800 (6390)						
	-30 (-34.4)		26300 (7710)	24500 (7180)	22800 (6680)	20900 (6130)	19100 (5600)	17300 (5070)						
	-35 (-37.2)		21600 (6330)	19900 (5830)	18200 (5330)	16500 (4840)	14800 (4340)	13000 (3810)						
-40 (-40.0)		17000 (4980)	15400 (4510)	13800 (4040)	12100 (3550)	10400 (3050)	8700 (2550)							
R090L8 Compressor Model 3DF3F40KE	0 (-17.8)		76900 (22540)	73900 (21660)	70900 (20780)	67800 (19870)	64800 (18990)	61800 (18110)						
	-5 (-20.6)		67600 (19810)	64700 (18960)	61800 (18110)	58900 (17260)	56000 (16410)	53100 (15560)						
	-10 (-23.3)		59000 (17290)	56300 (16500)	53500 (15680)	50700 (14860)	47900 (14040)	45200 (13250)						
	-15 (-26.1)		51100 (14980)	48500 (14210)	45900 (13450)	43200 (12660)	40600 (11900)	38100 (11170)						
	-20 (-28.9)		43800 (12840)	41300 (12100)	38900 (11400)	36400 (10670)	34000 (9960)	31600 (9260)						
	-25 (-31.7)		37000 (10840)	34800 (10200)	32500 (9520)	30200 (8850)	27900 (8180)	25800 (7560)						
	-30 (-34.4)		30800 (9030)	28700 (8410)	26600 (7800)	24500 (7180)	22500 (6590)	20500 (6010)						
	-35 (-37.2)		25000 (7330)	23200 (6800)	21300 (6240)	19400 (5690)	17500 (5130)	15700 (4600)						
-40 (-40.0)		19700 (5770)	18000 (5280)	16300 (4780)	14600 (4280)	13000 (3810)	11400 (3340)							

NOTES: - Above ratings are based on mean temperature. - To convert to dew point ratings, use 0.95 multiplier.

table continues on next page >>>

CAPACITY DATA - R407A

LOW TEMPERATURE (cont'd)

Application Data calculated at 65°F Return Gas, 0°F Liquid Subcooling

MODEL R	SATURATED SUCTION TEMPERATURE		CAPACITY BTU/H (WATTS) R407A CONDENSING TEMPERATURE °F (°C)									
	°F	°C	100 (37.8)	105 (40.6)	110 (43.3)	115 (46.1)	120 (48.9)	125 (51.7)				
R100L8 Compressor Model 3DS3F46KE	0	(-17.8)	83100 (24350)	80000 (23450)	76700 (22480)	73400 (21510)	70000 (20510)	66500 (19490)				
	-5	(-20.6)	72800 (21340)	69800 (20460)	66800 (19580)	63600 (18640)	60400 (17700)	57100 (16730)				
	-10	(-23.3)	63500 (18610)	60700 (17790)	57800 (16940)	54900 (16090)	51900 (15210)	48800 (14300)				
	-15	(-26.1)	55000 (16120)	52400 (15360)	49700 (14570)	47000 (13770)	44200 (12950)	41300 (12100)				
	-20	(-28.9)	47300 (13860)	44800 (13130)	42300 (12400)	39800 (11660)	37200 (10900)	34600 (10140)				
	-25	(-31.7)	40200 (11780)	37900 (11110)	35600 (10430)	33300 (9760)	30900 (9060)	28500 (8350)				
	-30	(-34.4)	33500 (9820)	31400 (9200)	29300 (8590)	27200 (7970)	25100 (7360)	22900 (6710)				
	-35	(-37.2)	27300 (8000)	25400 (7440)	23500 (6890)	21600 (6330)	19700 (5770)	17700 (5190)				
	-40	(-40.0)	21300 (6240)	19600 (5740)	17900 (5250)	16200 (4750)	14500 (4250)	12800 (3750)				
R150L8 Compressor Model 4DHNF63KE	0	(-17.8)	114000 (33410)	109200 (32000)	104300 (30570)	99400 (29130)	94400 (27670)	89400 (26200)				
	-5	(-20.6)	100700 (29510)	96400 (28250)	92000 (26960)	87500 (25640)	83000 (24320)	78600 (23040)				
	-10	(-23.3)	88400 (25910)	84500 (24760)	80500 (23590)	76500 (22420)	72500 (21250)	68400 (20050)				
	-15	(-26.1)	76900 (22540)	73400 (21510)	69900 (20490)	66200 (19400)	62600 (18350)	58900 (17260)				
	-20	(-28.9)	66400 (19460)	63300 (18550)	60000 (17580)	56800 (16650)	53400 (15650)	50100 (14680)				
	-25	(-31.7)	56700 (16620)	53900 (15800)	51000 (14950)	48000 (14070)	45000 (13190)	41900 (12280)				
	-30	(-34.4)	47900 (14040)	45300 (13280)	42700 (12510)	39900 (11690)	37100 (10870)	34300 (10050)				
	-35	(-37.2)	39900 (11690)	37500 (10990)	35100 (10290)	32600 (9550)	30000 (8790)	27300 (8000)				
	-40	(-40.0)	32700 (9580)	30500 (8940)	28200 (8260)	25800 (7560)	23400 (6860)	20900 (6130)				
R200L8 Compressor Model 4DJNF76KE	0	(-17.8)	146200 (42850)	140300 (41120)	134300 (39360)	128200 (37570)	122000 (35750)	115700 (33910)				
	-5	(-20.6)	127800 (37450)	122300 (35840)	116800 (34230)	111100 (32560)	105300 (30860)	99400 (29130)				
	-10	(-23.3)	111000 (32530)	105900 (31040)	100800 (29540)	95600 (28020)	90200 (26430)	84700 (24820)				
	-15	(-26.1)	95600 (28020)	91000 (26670)	86400 (25320)	81600 (23910)	76700 (22480)	71700 (21010)				
	-20	(-28.9)	81800 (23970)	77700 (22770)	73600 (21570)	69300 (20310)	64900 (19020)	60400 (17700)				
	-25	(-31.7)	69700 (20430)	66100 (19370)	62500 (18320)	58700 (17200)	54800 (16060)	50800 (14890)				
	-30	(-34.4)	59300 (17380)	56300 (16500)	53100 (15560)	49900 (14620)	46500 (13630)	43100 (12630)				
	-35	(-37.2)	50600 (14830)	48200 (14130)	45600 (13360)	42900 (12570)	40100 (11750)	37200 (10900)				
	-40	(-40.0)	43800 (12840)	41900 (12280)	39900 (11690)	37800 (11080)	35600 (10430)	33300 (9760)				
R250L8 Compressor Model 6DHNF93KE	0	(-17.8)	175300 (51380)	169000 (49530)	162200 (47540)	154900 (45400)	147000 (43080)	138600 (40620)				
	-5	(-20.6)	150700 (44170)	145000 (42500)	138800 (40680)	132100 (38710)	125000 (36630)	117400 (34410)				
	-10	(-23.3)	130000 (38100)	124800 (36580)	119200 (34930)	113100 (33150)	106500 (31210)	99600 (29190)				
	-15	(-26.1)	112500 (32970)	107700 (31560)	102400 (30010)	96800 (28370)	90800 (26610)	84400 (24740)				
	-20	(-28.9)	97400 (28550)	92800 (27200)	87900 (25760)	82600 (24210)	77000 (22570)	71000 (20810)				
	-25	(-31.7)	83900 (24590)	79500 (23300)	74800 (21920)	69700 (20430)	64400 (18870)	58700 (17200)				
	-30	(-34.4)	71200 (20870)	66800 (19580)	62200 (18230)	57300 (16790)	52200 (15300)	46700 (13690)				
	-35	(-37.2)	58500 (17140)	54100 (15860)	49500 (14510)	44600 (13070)	39500 (11580)	34200 (10020)				
	-40	(-40.0)	45100 (13220)	40500 (11870)	35700 (10460)	30800 (9030)	25700 (7530)	20400 (5980)				
R300L8 Compressor Model 6DJNF11ME	0	(-17.8)	209400 (61370)	201400 (59020)	193200 (56620)	184800 (54160)	176000 (51580)	166900 (48910)				
	-5	(-20.6)	183200 (53690)	175900 (51550)	168500 (49380)	160700 (47100)	152600 (44720)	144000 (42200)				
	-10	(-23.3)	159700 (46800)	153100 (44870)	146200 (42850)	139000 (40740)	131400 (38510)	123400 (36160)				
	-15	(-26.1)	138400 (40560)	132400 (38800)	126000 (36930)	119300 (34960)	112200 (32880)	104600 (30660)				
	-20	(-28.9)	119100 (34900)	113500 (33260)	107500 (31510)	101200 (29660)	94500 (27700)	87200 (25560)				
	-25	(-31.7)	101200 (29660)	95900 (28110)	90300 (26460)	84300 (24710)	77900 (22830)	70900 (20780)				
	-30	(-34.4)	84400 (24740)	79400 (23270)	74100 (21720)	68300 (20020)	62000 (18170)	55100 (16150)				
	-35	(-37.2)	68300 (20020)	63500 (18610)	58300 (17090)	52600 (15420)	46400 (13600)	39600 (11610)				
	-40	(-40.0)	52500 (15390)	47800 (14010)	42600 (12480)	37000 (10840)	30700 (9000)	23900 (7000)				

NOTES: - Above ratings are based on mean temperature. - To convert to dew point ratings, use 0.95 multiplier.

CAPACITY DATA - **R448A** HIGH / MEDIUM TEMPERATURE

Application Data calculated at 65°F Return Gas, 0°F Liquid Subcooling

MODEL R	SATURATED SUCTION TEMPERATURE		CAPACITY BTU/H (WATTS) R448A AMBIENT TEMPERATURE °F (°C)											
	°F	°C	100 (37.8)	105 (40.6)	110 (43.3)	115 (46.1)	120 (48.9)	125 (51.7)						
R050M8 Compressor Model 2DC3R53KE	40	(4.4)	70800 (20750)	67800 (19870)	64700 (18960)	61700 (18080)	58700 (17200)	55700 (16320)						
	35	(1.7)	63400 (18580)	60600 (17760)	57800 (16940)	55000 (16120)	52300 (15330)	49500 (14510)						
	30	(-1.1)	56500 (16560)	54000 (15830)	51400 (15060)	48900 (14330)	46400 (13600)	43900 (12870)						
	25	(-3.9)	50100 (14680)	47800 (14010)	45500 (13330)	43200 (12660)	41000 (12020)	38700 (11340)						
	20	(-6.7)	44300 (12980)	42200 (12370)	40100 (11750)	38100 (11170)	36100 (10580)	34100 (9990)						
	15	(-9.4)	39000 (11430)	37100 (10870)	35300 (10350)	33400 (9790)	31600 (9260)	29900 (8760)						
	10	(-12.2)	34200 (10020)	32500 (9520)	30900 (9060)	29300 (8590)	27700 (8120)	26200 (7680)						
	5	(-15.0)	29900 (8760)	28400 (8320)	27000 (7910)	25600 (7500)	24200 (7090)	23000 (6740)						
0	(-17.8)	26100 (7650)	24800 (7270)	23600 (6920)	22400 (6560)	21300 (6240)	20200 (5920)							
R051M8 Compressor Model 2DD3R63KE	40	(4.4)	81500 (23890)	78100 (22890)	74700 (21890)	71200 (20870)	67800 (19870)	64600 (18930)						
	35	(1.7)	73100 (21420)	69900 (20490)	66800 (19580)	63700 (18670)	60600 (17760)	57600 (16880)						
	30	(-1.1)	65200 (19110)	62500 (18320)	59600 (17470)	56800 (16650)	54100 (15860)	51300 (15030)						
	25	(-3.9)	58100 (17030)	55600 (16290)	53000 (15530)	50400 (14770)	48000 (14070)	45500 (13330)						
	20	(-6.7)	51500 (15090)	49300 (14450)	47000 (13770)	44700 (13100)	42500 (12460)	40200 (11780)						
	15	(-9.4)	45700 (13390)	43500 (12750)	41600 (12190)	39500 (11580)	37400 (10960)	35500 (10400)						
	10	(-12.2)	40200 (11780)	38400 (11250)	36600 (10730)	34800 (10200)	33100 (9700)	31200 (9140)						
	5	(-15.0)	35400 (10370)	33700 (9880)	32200 (9440)	30600 (8970)	29000 (8500)	27600 (8090)						
0	(-17.8)	31200 (9140)	29700 (8700)	28300 (8290)	26900 (7880)	25600 (7500)	24300 (7120)							
R075M8 Compressor Model 2DL3R78KE	40	(4.4)	101000 (29600)	97000 (28430)	93000 (27260)	88900 (26050)	84900 (24880)	80900 (23710)						
	35	(1.7)	90700 (26580)	87100 (25530)	83400 (24440)	79800 (23390)	76100 (22300)	72500 (21250)						
	30	(-1.1)	81300 (23830)	78100 (22890)	74800 (21920)	71500 (20950)	68200 (19990)	64900 (19020)						
	25	(-3.9)	72800 (21340)	69800 (20460)	66900 (19610)	63900 (18730)	61000 (17880)	58000 (17000)						
	20	(-6.7)	65000 (19050)	62300 (18260)	59700 (17500)	57100 (16730)	54400 (15940)	51700 (15150)						
	15	(-9.4)	57900 (16970)	55500 (16270)	53200 (15590)	50800 (14890)	48400 (14180)	46000 (13480)						
	10	(-12.2)	51400 (15060)	49300 (14450)	47200 (13830)	45100 (13220)	43000 (12600)	40800 (11960)						
	5	(-15.0)	45500 (13330)	43600 (12780)	41700 (12220)	39800 (11660)	37900 (11110)	36000 (10550)						
0	(-17.8)	40000 (11720)	38400 (11250)	36700 (10760)	35000 (10260)	33300 (9760)	31600 (9260)							
R076M8 Compressor Model 3DA3R10ME	40	(4.4)	138200 (40500)	132500 (38830)	126800 (37160)	121100 (35490)	115500 (33850)	109900 (32210)						
	35	(1.7)	124800 (36580)	119700 (35080)	114600 (33590)	109500 (32090)	104400 (30600)	99400 (29130)						
	30	(-1.1)	112300 (32910)	107700 (31560)	103200 (30240)	98600 (28900)	94000 (27550)	89500 (26230)						
	25	(-3.9)	100600 (29480)	96500 (28280)	92400 (27080)	88300 (25880)	84200 (24680)	80000 (23450)						
	20	(-6.7)	89800 (26320)	86100 (25230)	82400 (24150)	78700 (23060)	74900 (21950)	71100 (20840)						
	15	(-9.4)	79800 (23390)	76400 (22390)	73100 (21420)	69600 (20400)	66100 (19370)	62700 (18380)						
	10	(-12.2)	70500 (20660)	67500 (19780)	64400 (18870)	61200 (17940)	57900 (16970)	54700 (16030)						
	5	(-15.0)	62000 (18170)	59200 (17350)	56300 (16500)	53300 (15620)	50200 (14710)	47100 (13800)						
0	(-17.8)	54200 (15880)	51500 (15090)	48800 (14300)	45900 (13450)	42900 (12570)	39900 (11690)							
R100M8 Compressor Model 3DB3R12ME	40	(4.4)	162500 (47620)	156200 (45780)	149700 (43870)	143200 (41970)	136700 (40060)	130200 (38160)						
	35	(1.7)	147100 (43110)	141400 (41440)	135600 (39740)	129700 (38010)	123800 (36280)	117900 (34550)						
	30	(-1.1)	132700 (38890)	127600 (37400)	122300 (35840)	117100 (34320)	111700 (32740)	106300 (31150)						
	25	(-3.9)	119200 (34930)	114600 (33590)	109900 (32210)	105100 (30800)	100300 (29390)	95300 (27930)						
	20	(-6.7)	106700 (31270)	102600 (30070)	98300 (28810)	93900 (27520)	89500 (26230)	84900 (24880)						
	15	(-9.4)	95100 (27870)	91400 (26790)	87500 (25640)	83400 (24440)	79300 (23240)	75100 (22010)						
	10	(-12.2)	84400 (24740)	81000 (23740)	77400 (22680)	73600 (21570)	69800 (20460)	65700 (19250)						
	5	(-15.0)	74600 (21860)	71400 (20930)	68000 (19930)	64400 (18870)	60700 (17790)	56900 (16680)						
0	(-17.8)	65600 (19230)	62500 (18320)	59300 (17380)	55800 (16350)	52300 (15330)	48500 (14210)							

NOTES:

- Above ratings are based on mean temperature.
- To convert to dew point ratings, use 0.95 multiplier.
- Shaded Area Restriction: 20°F Max Superheat
- For R449A, use R448A data.

table continues on next page >>>

HIGH / MEDIUM TEMPERATURE (cont'd)

Application Data calculated at 65°F Return Gas, 0°F Liquid Subcooling

MODEL R	SATURATED SUCTION TEMPERATURE °F °C	CAPACITY BTU/H (WATTS) R448A AMBIENT TEMPERATURE °F (°C)							
		100 (37.8)	105 (40.6)	110 (43.3)	115 (46.1)	120 (48.9)	125 (51.7)		
R150M8 Compressor Model 3DS3R17ME	40 (4.4)	220500 (64620)	211300 (61930)	202200 (59260)	193100 (56590)	184200 (53980)	175500 (51430)		
	35 (1.7)	199300 (58410)	191200 (56030)	183100 (53660)	175000 (51290)	167100 (48970)	159300 (46690)		
	30 (-1.1)	179600 (52640)	172400 (50530)	165200 (48420)	158000 (46310)	151000 (44250)	144000 (42200)		
	25 (-3.9)	161200 (47240)	154800 (45370)	148400 (43490)	142100 (41650)	135800 (39800)	129600 (37980)		
	20 (-6.7)	144100 (42230)	138500 (40590)	132800 (38920)	127200 (37280)	121600 (35640)	116100 (34030)		
	15 (-9.4)	128300 (37600)	123300 (36140)	118300 (34670)	113200 (33180)	108200 (31710)	103300 (30270)		
	10 (-12.2)	113800 (33350)	109300 (32030)	104800 (30710)	100200 (29370)	95700 (28050)	91100 (26700)		
	5 (-15.0)	100400 (29420)	96300 (28220)	92200 (27020)	88000 (25790)	83800 (24560)	79700 (23360)		
0 (-17.8)	88100 (25820)	84300 (24710)	80500 (23590)	76600 (22450)	72700 (21310)	68800 (20160)			
R250M8 Compressor Model 4DHNR22ME	40 (4.4)	308900 (90530)	296900 (87010)	284900 (83500)	272800 (79950)	260700 (76400)	248600 (72860)		
	35 (1.7)	277900 (81440)	267100 (78280)	256100 (75060)	245200 (71860)	234200 (68640)	223200 (65410)		
	30 (-1.1)	249500 (73120)	239700 (70250)	229800 (67350)	219900 (64450)	209900 (61520)	199900 (58580)		
	25 (-3.9)	223500 (65500)	214600 (62890)	205700 (60280)	196700 (57650)	187700 (55010)	178600 (52340)		
	20 (-6.7)	199600 (58500)	191600 (56150)	183600 (53810)	175500 (51430)	167300 (49030)	159100 (46630)		
	15 (-9.4)	177700 (52080)	170600 (50000)	163400 (47890)	156100 (45750)	148700 (43580)	141300 (41410)		
	10 (-12.2)	157800 (46250)	151400 (44370)	144900 (42470)	138300 (40530)	131700 (38600)	125000 (36630)		
	5 (-15.0)	139600 (40910)	133800 (39210)	128000 (37510)	122100 (35780)	116100 (34030)	110100 (32270)		
0 (-17.8)	122900 (36020)	117800 (34520)	112600 (33000)	107200 (31420)	101800 (29830)	96300 (28220)			
R300M8 Compressor Model 4DJNR28ME	40 (4.4)	357200 (104680)	344500 (100960)	331100 (97040)	317300 (92990)	303000 (88800)	288200 (84460)		
	35 (1.7)	324700 (95160)	312900 (91700)	300500 (88070)	287700 (84320)	274500 (80450)	260800 (76430)		
	30 (-1.1)	294100 (86190)	283200 (83000)	271700 (79630)	259900 (76170)	247700 (72590)	235100 (68900)		
	25 (-3.9)	265300 (77750)	255100 (74760)	244700 (71710)	233800 (68520)	222500 (65210)	210900 (61810)		
	20 (-6.7)	238100 (69780)	228800 (67050)	219200 (64240)	209200 (61310)	198900 (58290)	188300 (55190)		
	15 (-9.4)	212600 (62310)	204100 (59820)	195300 (57240)	186200 (54570)	176800 (51810)	167200 (49000)		
	10 (-12.2)	188700 (55300)	180900 (53020)	172900 (50670)	164600 (48240)	156100 (45750)	147300 (43170)		
	5 (-15.0)	166200 (48710)	159100 (46630)	151800 (44490)	144300 (42290)	136600 (40030)	128700 (37720)		
0 (-17.8)	145100 (42520)	138700 (40650)	132100 (38710)	125300 (36720)	118300 (34670)	111300 (32620)			
R350M8 Compressor Model 6DHNR35ME	40 (4.4)	435800 (127720)	419500 (122940)	403300 (118200)	387300 (113510)	371400 (108850)	355600 (104220)		
	35 (1.7)	396600 (116230)	382100 (111980)	367700 (107760)	353300 (103540)	339100 (99380)	324900 (95220)		
	30 (-1.1)	359400 (105330)	346400 (101520)	333600 (97770)	320800 (94020)	308000 (90270)	295300 (86540)		
	25 (-3.9)	324000 (94950)	312500 (91580)	301100 (88240)	289700 (84900)	278300 (81560)	266900 (78220)		
	20 (-6.7)	290600 (85170)	280400 (82180)	270200 (79190)	260100 (76230)	249900 (73240)	239700 (70250)		
	15 (-9.4)	259300 (75990)	250300 (73360)	241200 (70690)	232100 (68020)	222900 (65330)	213700 (62630)		
	10 (-12.2)	230200 (67460)	222100 (65090)	214000 (62720)	205800 (60310)	197600 (57910)	189100 (55420)		
	5 (-15.0)	203300 (59580)	196000 (57440)	188700 (55300)	181300 (53130)	173800 (50940)	166100 (48680)		
0 (-17.8)	178700 (52370)	172100 (50440)	165500 (48500)	158600 (46480)	151600 (44430)	144500 (42350)			
R400M8 Compressor Model 6DJNR40ME	40 (4.4)	518900 (152070)	499500 (146390)	480200 (140730)	461000 (135110)	442000 (129540)	423200 (124030)		
	35 (1.7)	472300 (138420)	455000 (133350)	437700 (128280)	420600 (123270)	403600 (118280)	386700 (113330)		
	30 (-1.1)	427900 (125400)	412400 (120860)	397000 (116350)	381800 (111890)	366500 (107410)	351400 (102980)		
	25 (-3.9)	385700 (113040)	371900 (108990)	358200 (104980)	344600 (100990)	331000 (97010)	317500 (93050)		
	20 (-6.7)	345700 (101310)	333500 (97740)	321400 (94190)	309300 (90650)	297100 (87070)	285000 (83520)		
	15 (-9.4)	308300 (90350)	297500 (87190)	286700 (84020)	275900 (80860)	265000 (77660)	254100 (74470)		
	10 (-12.2)	273500 (80150)	263900 (77340)	254300 (74530)	244600 (71680)	234800 (68810)	225000 (65940)		
	5 (-15.0)	241500 (70780)	232800 (68230)	224200 (65710)	215400 (63130)	206600 (60550)	197700 (57940)		
0 (-17.8)	212200 (62190)	204400 (59900)	196600 (57620)	188700 (55300)	180500 (52900)	172300 (50500)			

NOTES:

- Above ratings are based on mean temperature.
- To convert to dew point ratings, use 0.95 multiplier.
- Shaded Area Restriction: 20°F Max Superheat
- For R449A, use R448A data.

LOW TEMPERATURE

Application Data calculated at 65°F Return Gas, 0°F Liquid Subcooling

MODEL R	SATURATED SUCTION TEMPERATURE		CAPACITY BTU/H (WATTS) R448A AMBIENT TEMPERATURE °F (°C)									
	°F	°C	100 (37.8)	105 (40.6)	110 (43.3)	115 (46.1)	120 (48.9)	125 (51.7)				
R035L8 Compressor Model 2DF3F16KE	0 (-17.8)		33600 (9850)	32000 (9380)	30400 (8910)	28800 (8440)	27200 (7970)	25600 (7500)				
	-5 (-20.6)		28800 (8440)	27400 (8030)	25900 (7590)	24500 (7180)	23100 (6770)	21700 (6360)				
	-10 (-23.3)		24600 (7210)	23300 (6830)	22000 (6450)	20800 (6100)	19500 (5710)	18300 (5360)				
	-15 (-26.1)		20900 (6130)	19800 (5800)	18700 (5480)	17600 (5160)	16500 (4840)	15400 (4510)				
	-20 (-28.9)		17800 (5220)	16800 (4920)	15800 (4630)	14800 (4340)	13800 (4040)	12900 (3780)				
	-25 (-31.7)		15000 (4400)	14100 (4130)	13300 (3900)	12400 (3630)	11500 (3370)	10700 (3140)				
	-30 (-34.4)		12600 (3690)	11800 (3460)	11000 (3220)	10200 (2990)	9490 (2780)	8770 (2570)				
	-35 (-37.2)		10500 (3080)	9730 (2850)	9020 (2640)	8320 (2440)	7650 (2240)	7010 (2050)				
	-40 (-40.0)		8500 (2490)	7810 (2290)	7160 (2100)	6520 (1910)	5910 (1730)	5330 (1560)				
R040L8 Compressor Model 2DL3F20KE	0 (-17.8)		38700 (11340)	37100 (10870)	35400 (10370)	33700 (9880)	31900 (9350)	30000 (8790)				
	-5 (-20.6)		33900 (9940)	32400 (9500)	30900 (9060)	29300 (8590)	27600 (8090)	25900 (7590)				
	-10 (-23.3)		29500 (8650)	28100 (8240)	26600 (7800)	25200 (7390)	23700 (6950)	22100 (6480)				
	-15 (-26.1)		25400 (7440)	24100 (7060)	22800 (6680)	21400 (6270)	20100 (5890)	18700 (5480)				
	-20 (-28.9)		21600 (6330)	20400 (5980)	19200 (5630)	18000 (5280)	16800 (4920)	15600 (4570)				
	-25 (-31.7)		18200 (5330)	17100 (5010)	16100 (4720)	15000 (4400)	13900 (4070)	12900 (3780)				
	-30 (-34.4)		15100 (4430)	14200 (4160)	13300 (3900)	12300 (3600)	11400 (3340)	10500 (3080)				
	-35 (-37.2)		12400 (3630)	11600 (3400)	10800 (3170)	10000 (2930)	9280 (2720)	8540 (2500)				
	-40 (-40.0)		10100 (2960)	9410 (2760)	8760 (2570)	8120 (2380)	7520 (2200)	6930 (2030)				
R060L8 Compressor Model 2DA3F23KE	0 (-17.8)		45100 (13220)	43200 (12660)	41300 (12100)	39200 (11490)	37000 (10840)	34800 (10200)				
	-5 (-20.6)		39400 (11550)	37600 (11020)	35800 (10490)	33900 (9940)	31900 (9350)	29800 (8730)				
	-10 (-23.3)		34200 (10020)	32600 (9550)	30900 (9060)	29100 (8530)	27300 (8000)	25400 (7440)				
	-15 (-26.1)		29500 (8650)	27900 (8180)	26400 (7740)	24800 (7270)	23100 (6770)	21400 (6270)				
	-20 (-28.9)		25200 (7390)	23800 (6980)	22300 (6540)	20900 (6130)	19400 (5690)	17900 (5250)				
	-25 (-31.7)		21200 (6210)	20000 (5860)	18700 (5480)	17400 (5100)	16100 (4720)	14800 (4340)				
	-30 (-34.4)		17700 (5190)	16600 (4860)	15400 (4510)	14300 (4190)	13200 (3870)	12100 (3550)				
	-35 (-37.2)		14500 (4250)	13500 (3960)	12500 (3660)	11600 (3400)	10600 (3110)	9690 (2840)				
	-40 (-40.0)		11500 (3370)	10700 (3140)	9880 (2900)	9100 (2670)	8350 (2450)	7620 (2230)				
R061L8 Compressor Model 3DA3F28KE	0 (-17.8)		45100 (13220)	43200 (12660)	41300 (12100)	39200 (11490)	37000 (10840)	34800 (10200)				
	-5 (-20.6)		39400 (11550)	37600 (11020)	35800 (10490)	33900 (9940)	31900 (9350)	29800 (8730)				
	-10 (-23.3)		34200 (10020)	32600 (9550)	30900 (9060)	29100 (8530)	27300 (8000)	25400 (7440)				
	-15 (-26.1)		29500 (8650)	27900 (8180)	26400 (7740)	24800 (7270)	23100 (6770)	21400 (6270)				
	-20 (-28.9)		25200 (7390)	23800 (6980)	22300 (6540)	20900 (6130)	19400 (5690)	17900 (5250)				
	-25 (-31.7)		21200 (6210)	20000 (5860)	18700 (5480)	17400 (5100)	16100 (4720)	14800 (4340)				
	-30 (-34.4)		17700 (5190)	16600 (4860)	15400 (4510)	14300 (4190)	13200 (3870)	12100 (3550)				
	-35 (-37.2)		14500 (4250)	13500 (3960)	12500 (3660)	11600 (3400)	10600 (3110)	9690 (2840)				
	-40 (-40.0)		11500 (3370)	10700 (3140)	9880 (2900)	9100 (2670)	8350 (2450)	7620 (2230)				
R075L8 Compressor Model 3DB3F33KE	0 (-17.8)		66300 (19430)	63600 (18640)	60900 (17850)	58200 (17060)	55500 (16270)	52900 (15500)				
	-5 (-20.6)		57900 (16970)	55400 (16240)	52900 (15500)	50400 (14770)	47800 (14010)	45400 (13310)				
	-10 (-23.3)		50500 (14800)	48100 (14100)	45800 (13420)	43400 (12720)	41000 (12020)	38800 (11370)				
	-15 (-26.1)		43900 (12870)	41700 (12220)	39400 (11550)	37200 (10900)	35000 (10260)	32800 (9610)				
	-20 (-28.9)		38000 (11140)	35900 (10520)	33700 (9880)	31600 (9260)	29500 (8650)	27500 (8060)				
	-25 (-31.7)		32600 (9550)	30600 (8970)	28600 (8380)	26600 (7800)	24600 (7210)	22600 (6620)				
	-30 (-34.4)		27700 (8120)	25800 (7560)	23900 (7000)	22000 (6450)	20100 (5890)	18200 (5330)				
	-35 (-37.2)		23200 (6800)	21400 (6270)	19500 (5710)	17700 (5190)	15800 (4630)	14000 (4100)				
	-40 (-40.0)		18900 (5540)	17200 (5040)	15400 (4510)	13600 (3990)	11800 (3460)	10000 (2930)				
R090L8 Compressor Model 3DF3F40KE	0 (-17.8)		82500 (24180)	78900 (23120)	75400 (22100)	71700 (21010)	68000 (19930)	64300 (18840)				
	-5 (-20.6)		71700 (21010)	68400 (20050)	65100 (19080)	61800 (18110)	58400 (17120)	55000 (16120)				
	-10 (-23.3)		62000 (18170)	59000 (17290)	56000 (16410)	53000 (15530)	49800 (14590)	46700 (13690)				
	-15 (-26.1)		53400 (15650)	50700 (14860)	47900 (14040)	45100 (13220)	42200 (12370)	39300 (11520)				
	-20 (-28.9)		45800 (13420)	43200 (12660)	40600 (11900)	38000 (11140)	35300 (10350)	32600 (9550)				
	-25 (-31.7)		38900 (11400)	36500 (10700)	34100 (9990)	31600 (9260)	29100 (8530)	26500 (7770)				
	-30 (-34.4)		32700 (9580)	30500 (8940)	28200 (8260)	25800 (7560)	23400 (6860)	21000 (6150)				
	-35 (-37.2)		27100 (7940)	24900 (7300)	22700 (6650)	20400 (5980)	18100 (5300)	15800 (4630)				
	-40 (-40.0)		22000 (6450)	19800 (5800)	17700 (5190)	15400 (4510)	13200 (3870)	10800 (3170)				

NOTES:

- Above ratings are based on mean temperature.
- To convert to dew point ratings, use 0.95 multiplier.
- Shaded Area Restriction: 20°F Max Superheat
- For R449A, use R448A data.

table continues on next page >>>

CAPACITY DATA - R448A

LOW TEMPERATURE (cont'd)

Application Data calculated at 65°F Return Gas, 0°F Liquid Subcooling

MODEL R	SATURATED SUCTION TEMPERATURE		CAPACITY BTU/H (WATTS) R448A AMBIENT TEMPERATURE °F (°C)									
	°F	°C	100 (37.8)	105 (40.6)	110 (43.3)	115 (46.1)	120 (48.9)	125 (51.7)				
R100L8 Compressor Model 3DS3F46KE	0	(-17.8)	90500 (26520)	86600 (25380)	82700 (24240)	78700 (23060)	74600 (21860)	70500 (20660)				
	-5	(-20.6)	78600 (23040)	75100 (22010)	71500 (20950)	67800 (19870)	64100 (18790)	60400 (17700)				
	-10	(-23.3)	68000 (19930)	64800 (18990)	61500 (18020)	58100 (17030)	54700 (16030)	51300 (15030)				
	-15	(-26.1)	58600 (17170)	55600 (16290)	52600 (15420)	49400 (14480)	46300 (13570)	43100 (12630)				
	-20	(-28.9)	50200 (14710)	47400 (13890)	44600 (13070)	41700 (12220)	38700 (11340)	35800 (10490)				
	-25	(-31.7)	42600 (12480)	40000 (11720)	37400 (10960)	34700 (10170)	31900 (9350)	29100 (8530)				
	-30	(-34.4)	35900 (10520)	33400 (9790)	30900 (9060)	28300 (8290)	25700 (7530)	23000 (6740)				
	-35	(-37.2)	29700 (8700)	27400 (8030)	24900 (7300)	22400 (6560)	19900 (5830)	17300 (5070)				
	-40	(-40.0)	24100 (7060)	21700 (6360)	19400 (5690)	16900 (4950)	14400 (4220)	11900 (3490)				
R150L8 Compressor Model 4DHNFF63KE	0	(-17.8)	117300 (34380)	112100 (32850)	106900 (31330)	101600 (29780)	96400 (28250)	91300 (26760)				
	-5	(-20.6)	103800 (30420)	99100 (29040)	94400 (27670)	89700 (26290)	85000 (24910)	80300 (23530)				
	-10	(-23.3)	91400 (26790)	87200 (25560)	83000 (24320)	78700 (23060)	74400 (21800)	70200 (20570)				
	-15	(-26.1)	80100 (23470)	76300 (22360)	72400 (21220)	68500 (20080)	64600 (18930)	60700 (17790)				
	-20	(-28.9)	69700 (20430)	66200 (19400)	62600 (18350)	59000 (17290)	55400 (16240)	51800 (15180)				
	-25	(-31.7)	60000 (17580)	56800 (16650)	53400 (15650)	50000 (14650)	46600 (13660)	43200 (12660)				
	-30	(-34.4)	51000 (14950)	47800 (14010)	44700 (13100)	41400 (12130)	38100 (11170)	34900 (10230)				
	-35	(-37.2)	42400 (12430)	39300 (11520)	36200 (10610)	33100 (9700)	29900 (8760)	26700 (7820)				
	-40	(-40.0)	34100 (9990)	31000 (9090)	28000 (8210)	24800 (7270)	21600 (6330)	18400 (5390)				
R200L8 Compressor Model 4DJNFF76KE	0	(-17.8)	151500 (44400)	145100 (42520)	138800 (40680)	132400 (38800)	125900 (36900)	119500 (35020)				
	-5	(-20.6)	132200 (38740)	126400 (37040)	120500 (35310)	114600 (33590)	108600 (31830)	102600 (30070)				
	-10	(-23.3)	115100 (33730)	109700 (32150)	104300 (30570)	98800 (28960)	93200 (27310)	87600 (25670)				
	-15	(-26.1)	99900 (29280)	95000 (27840)	89900 (26350)	84700 (24820)	79500 (23300)	74300 (21780)				
	-20	(-28.9)	86400 (25320)	81700 (23940)	77000 (22570)	72200 (21160)	67300 (19720)	62300 (18260)				
	-25	(-31.7)	74100 (21720)	69700 (20430)	65300 (19140)	60700 (17790)	56000 (16410)	51400 (15060)				
	-30	(-34.4)	62800 (18400)	58600 (17170)	54400 (15940)	50000 (14650)	45600 (13360)	41100 (12050)				
	-35	(-37.2)	52100 (15270)	48100 (14100)	44000 (12900)	39800 (11660)	35600 (10430)	31200 (9140)				
	-40	(-40.0)	41700 (12220)	37900 (11110)	33900 (9940)	29800 (8730)	25600 (7500)	21300 (6240)				
R250L8 Compressor Model 6DHNFF93KE	0	(-17.8)	181600 (53220)	174400 (51110)	167000 (48940)	159300 (46690)	151300 (44340)	143000 (41910)				
	-5	(-20.6)	159000 (46600)	152500 (44690)	145600 (42670)	138500 (40590)	131000 (38390)	123200 (36110)				
	-10	(-23.3)	138700 (40650)	132600 (38860)	126300 (37010)	119700 (35080)	112700 (33030)	105400 (30890)				
	-15	(-26.1)	120300 (35260)	114700 (33620)	108800 (31890)	102600 (30070)	96000 (28130)	89100 (26110)				
	-20	(-28.9)	103700 (30390)	98500 (28870)	92900 (27230)	87100 (25530)	80900 (23710)	74300 (21780)				
	-25	(-31.7)	88600 (25970)	83700 (24530)	78500 (23010)	72900 (21360)	66900 (19610)	60600 (17760)				
	-30	(-34.4)	74800 (21920)	70100 (20540)	65100 (19080)	59700 (17500)	53900 (15800)	47800 (14010)				
	-35	(-37.2)	61900 (18140)	57400 (16820)	52600 (15420)	47300 (13860)	41700 (12220)	35700 (10460)				
	-40	(-40.0)	49900 (14620)	45400 (13310)	40700 (11930)	35500 (10400)	30000 (8790)	24000 (7030)				
R300L8 Compressor Model 6DJNFF11ME	0	(-17.8)	219200 (64240)	210500 (61690)	201500 (59050)	192300 (56360)	182600 (53510)	172600 (50580)				
	-5	(-20.6)	191800 (56210)	183900 (53900)	175700 (51490)	167100 (48970)	158100 (46330)	148700 (43580)				
	-10	(-23.3)	167300 (49030)	160000 (46890)	152400 (44660)	144400 (42320)	136000 (39860)	127200 (37280)				
	-15	(-26.1)	145200 (42550)	138500 (40590)	131400 (38510)	123900 (36310)	116000 (34000)	107600 (31530)				
	-20	(-28.9)	125300 (36720)	119000 (34880)	112300 (32910)	105200 (30830)	97700 (28630)	89700 (26290)				
	-25	(-31.7)	107100 (31390)	101100 (29630)	94800 (27780)	88000 (25790)	80800 (23680)	73100 (21420)				
	-30	(-34.4)	90300 (26460)	84600 (24790)	78500 (23010)	71900 (21070)	64900 (19020)	57400 (16820)				
	-35	(-37.2)	74600 (21860)	69100 (20250)	63100 (18490)	56700 (16620)	49800 (14590)	42400 (12430)				
	-40	(-40.0)	59700 (17500)	54200 (15880)	48400 (14180)	41900 (12280)	35000 (10260)	27600 (8090)				

NOTES:

- Above ratings are based on mean temperature.
- To convert to dew point ratings, use 0.95 multiplier.
- Shaded Area Restriction: 20°F Max Superheat
- For R449A, use R448A data.

CAPACITY DATA - R407C

HIGH / MEDIUM TEMPERATURE

Application Data calculated at 65°F Return Gas, 0°F Liquid Subcooling

MODEL	SATURATED SUCTION TEMPERATURE °F °C	CAPACITY BTU/H (WATTS) R407C					CONDENSING TEMPERATURE °F (°C)				
		100 (37.8)	105 (40.6)	110 (43.3)	115 (46.1)	120 (48.9)	125 (51.7)				
R050M8 Compressor Model 2DC3R53KE	45 (7.2)	76000 (22270)	73300 (21480)	70600 (20690)	68000 (19930)	65400 (19170)	62900 (18430)				
	40 (4.4)	67600 (19810)	65100 (19080)	62600 (18350)	60200 (17640)	57800 (16940)	55500 (16270)				
	35 (1.7)	59900 (17550)	57600 (16880)	55300 (16210)	53000 (15530)	50900 (14920)	48800 (14300)				
	30 (-1.1)	52900 (15500)	50700 (14860)	48600 (14240)	46600 (13660)	44600 (13070)	42700 (12510)				
	25 (-3.9)	46500 (13630)	44500 (13040)	42600 (12480)	40700 (11930)	38900 (11400)	37200 (10900)				
	20 (-6.7)	40800 (11960)	39000 (11430)	37200 (10900)	35500 (10400)	33900 (9940)	32300 (9470)				
	15 (-9.4)	35600 (10430)	34000 (9960)	32400 (9500)	30900 (9060)	29400 (8620)	28000 (8210)				
10 (-12.2)	31000 (9090)	29600 (8670)	28200 (8260)	26800 (7850)	25500 (7470)	24300 (7120)					
R051M8 Compressor Model 2DD3R63KE	45 (7.2)	87700 (25700)	84600 (24790)	81600 (23910)	78600 (23040)	75800 (22210)	73000 (21390)				
	40 (4.4)	78100 (22890)	75300 (22070)	72500 (21250)	69800 (20460)	67100 (19660)	64600 (18930)				
	35 (1.7)	69300 (20310)	66700 (19550)	64100 (18790)	61600 (18050)	59200 (17350)	56900 (16680)				
	30 (-1.1)	61300 (17970)	58900 (17260)	56500 (16560)	54200 (15880)	52000 (15240)	49900 (14620)				
	25 (-3.9)	54000 (15830)	51800 (15180)	49700 (14570)	47600 (13950)	45600 (13360)	43600 (12780)				
	20 (-6.7)	47400 (13890)	45400 (13310)	43500 (12750)	41600 (12190)	39800 (11660)	38100 (11170)				
	15 (-9.4)	41500 (12160)	39700 (11630)	38000 (11140)	36300 (10640)	34800 (10200)	33200 (9730)				
10 (-12.2)	36300 (10640)	34700 (10170)	33200 (9730)	31700 (9290)	30300 (8880)	29000 (8500)					
R075M8 Compressor Model 2DL3R78KE	45 (7.2)	108700 (31860)	105200 (30830)	101800 (29830)	98300 (28810)	95000 (27840)	91700 (26870)				
	40 (4.4)	97100 (28460)	93800 (27490)	90600 (26550)	87400 (25610)	84300 (24710)	81200 (23800)				
	35 (1.7)	86400 (25320)	83400 (24440)	80400 (23560)	77500 (22710)	74600 (21860)	71800 (21040)				
	30 (-1.1)	76700 (22480)	73900 (21660)	71100 (20840)	68400 (20050)	65800 (19280)	63200 (18520)				
	25 (-3.9)	67800 (19870)	65200 (19110)	62700 (18380)	60300 (17670)	57900 (16970)	55600 (16290)				
	20 (-6.7)	59700 (17500)	57400 (16820)	55200 (16180)	53000 (15530)	50900 (14920)	48800 (14300)				
	15 (-9.4)	52500 (15390)	50500 (14800)	48500 (14210)	46500 (13630)	44700 (13100)	42900 (12570)				
10 (-12.2)	46100 (13510)	44300 (12980)	42600 (12480)	40900 (11990)	39300 (11520)	37800 (11080)					
R076M8 Compressor Model 3DA3R10ME	45 (7.2)	144600 (42380)	138900 (40710)	133500 (39120)	128200 (37570)	123000 (36050)	118100 (34610)				
	40 (4.4)	130000 (38100)	125000 (36630)	120300 (35260)	115700 (33910)	111200 (32590)	106700 (31270)				
	35 (1.7)	116500 (34140)	112300 (32910)	108100 (31680)	104100 (30510)	100100 (29340)	96100 (28160)				
	30 (-1.1)	104200 (30540)	100500 (29450)	96900 (28400)	93400 (27370)	89800 (26320)	86200 (25260)				
	25 (-3.9)	93000 (27260)	89800 (26320)	86600 (25380)	83400 (24440)	80200 (23500)	76800 (22510)				
	20 (-6.7)	82800 (24270)	80000 (23450)	77100 (22600)	74200 (21750)	71100 (20840)	68000 (19930)				
	15 (-9.4)	73400 (21510)	70900 (20780)	68300 (20020)	65600 (19230)	62700 (18380)	59600 (17470)				
10 (-12.2)	65000 (19050)	62700 (18380)	60200 (17640)	57600 (16880)	54700 (16030)	51600 (15120)					
R100M8 Compressor Model 3DB3R12ME	45 (7.2)	169700 (49730)	163400 (47890)	157200 (46070)	151300 (44340)	145500 (42640)	139700 (40940)				
	40 (4.4)	152800 (44780)	147300 (43170)	142000 (41620)	136800 (40090)	131600 (38570)	126500 (37070)				
	35 (1.7)	137300 (40240)	132600 (38860)	128000 (37510)	123400 (36160)	118800 (34820)	114100 (33440)				
	30 (-1.1)	123100 (36080)	119100 (34900)	115000 (33700)	111000 (32530)	106800 (31300)	102600 (30070)				
	25 (-3.9)	110200 (32300)	106700 (31270)	103100 (30220)	99400 (29130)	95700 (28050)	91700 (26870)				
	20 (-6.7)	98400 (28840)	95300 (27930)	92100 (26990)	88700 (26000)	85200 (24970)	81400 (23860)				
	15 (-9.4)	87600 (25670)	84900 (24880)	81900 (24000)	78800 (23090)	75400 (22100)	71600 (20980)				
10 (-12.2)	77900 (22830)	75300 (22070)	72500 (21250)	69500 (20370)	66100 (19370)	62300 (18260)					
R150M8 Compressor Model 3DS3R17ME	45 (7.2)	226200 (66290)	217100 (63630)	208500 (61110)	200200 (58670)	192200 (56330)	184500 (54070)				
	40 (4.4)	203400 (59610)	195600 (57320)	188200 (55160)	181000 (53050)	174100 (51020)	167300 (49030)				
	35 (1.7)	182500 (53490)	175900 (51550)	169500 (49680)	163300 (47860)	157200 (46070)	151300 (44340)				
	30 (-1.1)	163500 (47920)	157800 (46250)	152300 (44630)	146900 (43050)	141600 (41500)	136300 (39950)				
	25 (-3.9)	146100 (42820)	141300 (41410)	136500 (40000)	131800 (38630)	127000 (37220)	122200 (35810)				
	20 (-6.7)	130300 (38190)	126100 (36960)	121900 (35730)	117700 (34490)	113400 (33230)	108900 (31920)				
	15 (-9.4)	115900 (33970)	112200 (32880)	108500 (31800)	104600 (30660)	100600 (29480)	96300 (28220)				
10 (-12.2)	102800 (30130)	99500 (29160)	96000 (28130)	92400 (27080)	88400 (25910)	84200 (24680)					
R250M8 Compressor Model 4DHN22ME	45 (7.2)	350400 (102690)	331200 (97060)	312300 (91530)	293900 (86130)	276000 (80890)	258700 (75820)				
	40 (4.4)	310200 (90910)	293800 (86100)	277700 (81390)	262000 (76780)	246800 (72330)	232100 (68020)				
	35 (1.7)	273900 (80270)	260000 (76200)	246400 (72210)	233100 (68310)	220300 (64560)	208000 (60960)				
	30 (-1.1)	241300 (70720)	229700 (67320)	218300 (63980)	207100 (60690)	196400 (57560)	186100 (54540)				
	25 (-3.9)	212200 (62190)	202600 (59380)	193000 (56560)	183700 (53840)	174700 (51200)	166200 (48710)				
	20 (-6.7)	186400 (54630)	178300 (52250)	170300 (49910)	162600 (47650)	155100 (45460)	148100 (43400)				
	15 (-9.4)	163400 (47890)	156700 (45920)	150000 (43960)	143500 (42060)	137200 (40210)	131400 (38510)				
10 (-12.2)	143200 (41970)	137500 (40300)	131800 (38630)	126300 (37010)	120900 (35430)	115900 (33970)					

NOTES: - Above ratings are based on mean temperature. - To convert to dew point ratings, use 0.95 multiplier.

table continues on next page >>>

CAPACITY DATA - **R407C**

HIGH / MEDIUM TEMPERATURE (cont'd)

Application Data calculated at 65°F Return Gas, 0°F Liquid Subcooling

MODEL R	SATURATED SUCTION TEMPERATURE °F °C	CAPACITY BTU/H (WATTS) R407C					CONDENSING TEMPERATURE °F (°C)				
		100 (37.8)	105 (40.6)	110 (43.3)	115 (46.1)	120 (48.9)	125 (51.7)				
R300M8 Compressor Model 4DJNR28ME	45 (7.2)	411600 (120630)	389000 (114000)	367100 (107590)	345900 (101370)	325400 (95360)	305700 (89590)				
	40 (4.4)	362500 (106240)	343300 (100610)	324800 (95190)	306900 (89940)	289600 (84870)	273000 (80010)				
	35 (1.7)	319100 (93520)	303000 (88800)	287500 (84260)	272500 (79860)	258100 (75640)	244300 (71600)				
	30 (-1.1)	280900 (82320)	267500 (78400)	254600 (74620)	242200 (70980)	230300 (67490)	219000 (64180)				
	25 (-3.9)	247300 (72480)	236200 (69220)	225600 (66120)	215400 (63130)	205700 (60280)	196400 (57560)				
	20 (-6.7)	217800 (63830)	208800 (61190)	200000 (58610)	191700 (56180)	183800 (53870)	176200 (51640)				
	15 (-9.4)	192000 (56270)	184500 (54070)	177300 (51960)	170500 (49970)	163900 (48030)	157800 (46250)				
10 (-12.2)	169100 (49560)	162900 (47740)	156900 (45980)	151200 (44310)	145700 (42700)	140600 (41210)					
R350M8 Compressor Model 6DHNR35ME	45 (7.2)	475700 (139410)	457100 (133960)	438300 (128450)	419400 (122910)	400300 (117320)	381000 (111660)				
	40 (4.4)	418900 (122770)	402900 (118080)	386800 (113360)	370500 (108580)	354000 (103750)	337200 (98820)				
	35 (1.7)	369600 (108320)	356000 (104330)	342200 (100290)	328200 (96190)	313900 (91990)	299300 (87720)				
	30 (-1.1)	326900 (95800)	315400 (92430)	303500 (88950)	291500 (85430)	279100 (81800)	266500 (78100)				
	25 (-3.9)	289900 (84960)	280100 (82090)	270000 (79130)	259500 (76050)	248800 (72920)	237700 (69660)				
	20 (-6.7)	257700 (75520)	249200 (73030)	240500 (70480)	231400 (67820)	221900 (65030)	212100 (62160)				
	15 (-9.4)	229300 (67200)	222000 (65060)	214200 (62780)	206200 (60430)	197700 (57940)	188800 (55330)				
10 (-12.2)	203900 (59760)	197300 (57820)	190300 (55770)	182900 (53600)	175100 (51320)	166800 (48880)					
R400M8 Compressor Model 6DJNR40ME	45 (7.2)	649100 (190230)	627300 (183840)	600900 (176110)	570300 (167140)	535900 (157060)	498200 (146010)				
	40 (4.4)	560200 (164180)	539500 (158110)	514900 (150900)	486600 (142610)	455300 (133430)	421200 (123440)				
	35 (1.7)	485100 (142170)	465700 (136480)	442800 (129770)	417100 (122240)	388800 (113950)	358500 (105070)				
	30 (-1.1)	422100 (123700)	403900 (118370)	383000 (112250)	359800 (105450)	334600 (98060)	308100 (90290)				
	25 (-3.9)	369300 (108230)	352500 (103310)	333500 (97740)	312900 (91700)	290900 (85250)	268200 (78600)				
	20 (-6.7)	324900 (95220)	309500 (90710)	292500 (85720)	274500 (80450)	255900 (75000)	237000 (69460)				
	15 (-9.4)	287100 (84140)	273100 (80040)	258200 (75670)	242900 (71190)	227600 (66700)	212600 (62310)				
10 (-12.2)	254000 (74440)	241500 (70780)	228800 (67050)	216200 (63360)	204300 (59870)	193300 (56650)					

NOTES: - Above ratings are based on mean temperature. - To convert to dew point ratings, use 0.95 multiplier.

CAPACITY DATA - **R404A** **R507**

HIGH / MEDIUM TEMPERATURE

Application Data calculated at 65°F Return Gas, 0°F Liquid Subcooling

MODEL R	SATURATED SUCTION TEMPERATURE °F °C	CAPACITY BTU/H (WATTS) R404A R507					CONDENSING TEMPERATURE °F (°C)				
		100 (37.8)	105 (40.6)	110 (43.3)	115 (46.1)	120 (48.9)	125 (51.7)				
R010M6 Compressor Model KARB-010E	25 (-3.9)	10400 (3050)	9900 (2900)	9300 (2730)	8800 (2580)	8300 (2430)	7700 (2260)				
	20 (-6.7)	9500 (2780)	9000 (2640)	8500 (2490)	8000 (2340)	7500 (2200)	7000 (2050)				
	15 (-9.4)	8500 (2490)	8100 (2370)	7600 (2230)	7200 (2110)	6700 (1960)	6300 (1850)				
	10 (-12.2)	7600 (2230)	7200 (2110)	6800 (1990)	6400 (1880)	5900 (1730)	5500 (1610)				
	5 (-15.0)	6700 (1960)	6300 (1850)	6000 (1760)	5600 (1640)	5200 (1520)	4800 (1410)				
	0 (-17.8)	5900 (1730)	5500 (1610)	5200 (1520)	4900 (1440)	4500 (1320)	4200 (1230)				
-5 (-20.6)	25130 (7358)	23920 (7004)	22730 (6655)	21530 (6304)	20350 (5958)	19170 (5613)					
R020M6 Compressor Model KAKB-021E	25 (-3.9)	17600 (5160)	16700 (4890)	15800 (4630)	14900 (4370)	14000 (4100)	13100 (3840)				
	20 (-6.7)	15600 (4570)	14800 (4340)	14000 (4100)	13200 (3870)	12400 (3630)	11600 (3400)				
	15 (-9.4)	14000 (4100)	13200 (3870)	12500 (3660)	11800 (3460)	11100 (3250)	10300 (3020)				
	10 (-12.2)	12500 (3660)	11800 (3460)	11200 (3280)	10600 (3110)	9900 (2900)	9300 (2730)				
	5 (-15.0)	11200 (3280)	10600 (3110)	10000 (2930)	9500 (2780)	8900 (2610)	8300 (2430)				
	0 (-17.8)	9900 (2900)	9400 (2750)	8900 (2610)	8400 (2460)	7900 (2320)	7400 (2170)				
-5 (-20.6)	30020 (8790)	28630 (8383)	27250 (7979)	25900 (7584)	24570 (7194)	23260 (6811)					
R021M6 Compressor Model ERCA-021E	25 (-3.9)	22000 (6450)	20800 (6100)	19500 (5710)	18300 (5360)	17100 (5010)	15900 (4660)				
	20 (-6.7)	19600 (5740)	18500 (5420)	17400 (5100)	16300 (4780)	15200 (4450)	14100 (4130)				
	15 (-9.4)	17400 (5100)	16400 (4810)	15400 (4510)	14400 (4220)	13400 (3930)	12400 (3630)				
	10 (-12.2)	15500 (4540)	14600 (4280)	13600 (3990)	12700 (3720)	11800 (3460)	10900 (3190)				
	5 (-15.0)	13700 (4020)	12800 (3750)	12000 (3520)	11200 (3280)	10400 (3050)	9600 (2810)				
	0 (-17.8)	11900 (3490)	11200 (3280)	10500 (3080)	9700 (2840)	9000 (2640)	8300 (2430)				
-5 (-20.6)	36610 (10719)	34970 (10239)	33350 (9765)	31730 (9291)	30120 (8819)	28510 (8348)					

R**CAPACITY DATA - R404A R507****60Hz****HIGH / MEDIUM TEMPERATURE**

Application Data calculated at 65°F Return Gas, 0°F Liquid Subcooling

MODEL R	SATURATED SUCTION TEMPERATURE		CAPACITY BTU/H (WATTS) R404A R507 CONDENSING TEMPERATURE °F (°C)											
	°F	°C	100	(37.8)	105	(40.6)	110	(43.3)	115	(46.1)	120	(48.9)	125	(51.7)
R030M8 Compressor Model ERFB-031E	40	(4.4)	-	-	-	-	-	-	-	-	-	-	-	-
	35	(1.7)	-	-	-	-	-	-	-	-	-	-	-	-
	30	(-1.1)	-	-	-	-	-	-	-	-	-	-	-	-
	25	(-3.9)	31500	(9230)	30000	(8790)	28400	(8320)	26700	(7820)	25100	(7360)	23400	(6860)
	20	(-6.7)	28200	(8260)	26700	(7820)	25300	(7410)	23800	(6980)	22300	(6540)	20800	(6100)
	15	(-9.4)	25100	(7360)	23800	(6980)	22500	(6590)	21100	(6180)	19800	(5800)	18400	(5390)
	10	(-12.2)	22300	(6540)	21100	(6180)	19900	(5830)	18700	(5480)	17500	(5130)	16300	(4780)
	5	(-15.0)	19700	(5770)	18600	(5450)	17600	(5160)	16500	(4840)	15300	(4480)	14200	(4160)
0	(-17.8)	17400	(5100)	16400	(4810)	15400	(4510)	14400	(4220)	13400	(3930)	12400	(3630)	
R050M8 Compressor Model 2DC3R53KE	40	(4.4)	68400	(20050)	64800	(18990)	61200	(17940)	57700	(16910)	54200	(15880)	50800	(14890)
	35	(1.7)	61500	(18020)	58300	(17090)	55000	(16120)	51900	(15210)	48700	(14270)	45600	(13360)
	30	(-1.1)	55100	(16150)	52200	(15300)	49300	(14450)	46500	(13630)	43600	(12780)	40900	(11990)
	25	(-3.9)	49200	(14420)	46600	(13660)	44000	(12900)	41400	(12130)	38900	(11400)	36400	(10670)
	20	(-6.7)	43700	(12810)	41400	(12130)	39100	(11460)	36800	(10780)	34600	(10140)	32400	(9500)
	15	(-9.4)	38700	(11340)	36600	(10730)	34600	(10140)	32600	(9550)	30600	(8970)	28600	(8380)
	10	(-12.2)	34100	(9990)	32300	(9470)	30500	(8940)	28700	(8410)	27000	(7910)	25200	(7390)
	5	(-15.0)	29900	(8760)	28400	(8320)	26800	(7850)	25200	(7390)	23700	(6950)	22100	(6480)
0	(-17.8)	26200	(7680)	24800	(7270)	23400	(6860)	22100	(6480)	20700	(6070)	19300	(5660)	
R051M8 Compressor Model 2DD3R63KE	40	(4.4)	81100	(23770)	77200	(22630)	73200	(21450)	69200	(20280)	65200	(19110)	61100	(17910)
	35	(1.7)	73200	(21450)	69600	(20400)	66000	(19340)	62400	(18290)	58700	(17200)	55000	(16120)
	30	(-1.1)	65800	(19280)	62500	(18320)	59300	(17380)	56000	(16410)	52700	(15440)	49400	(14480)
	25	(-3.9)	58900	(17260)	55900	(16380)	53000	(15530)	50100	(14680)	47100	(13800)	44100	(12920)
	20	(-6.7)	52400	(15360)	49800	(14590)	47200	(13830)	44600	(13070)	41900	(12280)	39300	(11520)
	15	(-9.4)	46500	(13630)	44200	(12950)	41900	(12280)	39500	(11580)	37200	(10900)	34800	(10200)
	10	(-12.2)	41100	(12050)	39000	(11430)	37000	(10840)	34900	(10230)	32800	(9610)	30800	(9030)
	5	(-15.0)	36200	(10610)	34400	(10080)	32500	(9520)	30700	(9000)	28900	(8470)	27100	(7940)
0	(-17.8)	31800	(9320)	30200	(8850)	28600	(8380)	27000	(7910)	25400	(7440)	23900	(7000)	
R075M8 Compressor Model 2DL3R78KE	40	(4.4)	98800	(28960)	94000	(27550)	89200	(26140)	84400	(24740)	79700	(23360)	74900	(21950)
	35	(1.7)	89100	(26110)	84800	(24850)	80400	(23560)	76100	(22300)	71900	(21070)	67600	(19810)
	30	(-1.1)	80100	(23470)	76200	(22330)	72300	(21190)	68500	(20080)	64600	(18930)	60800	(17820)
	25	(-3.9)	71800	(21040)	68300	(20020)	64800	(18990)	61400	(17990)	58000	(17000)	54500	(15970)
	20	(-6.7)	64100	(18790)	61000	(17880)	57900	(16970)	54900	(16090)	51800	(15180)	48700	(14270)
	15	(-9.4)	57100	(16730)	54300	(15910)	51600	(15120)	48900	(14330)	46200	(13540)	43400	(12720)
	10	(-12.2)	50700	(14860)	48200	(14130)	45800	(13420)	43400	(12720)	41000	(12020)	38600	(11310)
	5	(-15.0)	44800	(13130)	42700	(12510)	40500	(11870)	38400	(11250)	36300	(10640)	34200	(10020)
0	(-17.8)	39600	(11610)	37700	(11050)	35800	(10490)	33900	(9940)	32000	(9380)	30100	(8820)	
R076M8 Compressor Model 3DA3R10ME	40	(4.4)	132900	(38950)	126000	(36930)	119300	(34960)	113000	(33120)	106800	(31300)	100800	(29540)
	35	(1.7)	120000	(35170)	113800	(33350)	107900	(31620)	102300	(29980)	96800	(28370)	91500	(26820)
	30	(-1.1)	108000	(31650)	102600	(30070)	97400	(28550)	92400	(27080)	87600	(25670)	82900	(24300)
	25	(-3.9)	97000	(28430)	92200	(27020)	87700	(25700)	83300	(24410)	79100	(23180)	74900	(21950)
	20	(-6.7)	86900	(25470)	82700	(24240)	78700	(23060)	74900	(21950)	71200	(20870)	67500	(19780)
	15	(-9.4)	77600	(22740)	74000	(21690)	70500	(20660)	67200	(19690)	64000	(18760)	60700	(17790)
	10	(-12.2)	69100	(20250)	66000	(19340)	63000	(18460)	60100	(17610)	57300	(16790)	54400	(15940)
	5	(-15.0)	61400	(17990)	58700	(17200)	56200	(16470)	53700	(15740)	51200	(15010)	48600	(14240)
0	(-17.8)	54400	(15940)	52100	(15270)	49900	(14620)	47700	(13980)	45500	(13330)	43200	(12660)	
R100M8 Compressor Model 3DB3R12ME	40	(4.4)	156000	(45720)	148700	(43580)	141300	(41410)	134100	(39300)	126800	(37160)	119600	(35050)
	35	(1.7)	141100	(41350)	134500	(39420)	128000	(37510)	121500	(35610)	114900	(33670)	108400	(31770)
	30	(-1.1)	127400	(37340)	121600	(35640)	115700	(33910)	109900	(32210)	104000	(30480)	98200	(28780)
	25	(-3.9)	114800	(33640)	109600	(32120)	104400	(30600)	99200	(29070)	94000	(27550)	88800	(26020)
	20	(-6.7)	103300	(30270)	98600	(28900)	94000	(27550)	89400	(26200)	84800	(24850)	80100	(23470)
	15	(-9.4)	92700	(27170)	88600	(25970)	84500	(24760)	80400	(23560)	76300	(22360)	72100	(21130)
	10	(-12.2)	83000	(24320)	79300	(23240)	75700	(22190)	72100	(21130)	68400	(20050)	64700	(18960)
	5	(-15.0)	74000	(21690)	70800	(20750)	67600	(19810)	64400	(18870)	61100	(17910)	57800	(16940)
0	(-17.8)	65900	(19310)	63000	(18460)	60100	(17610)	57300	(16790)	54400	(15940)	51400	(15060)	

- Outside Operating Range

HIGH / MEDIUM TEMPERATURE (cont'd)

Application Data calculated at 65°F Return Gas, 0°F Liquid Subcooling

MODEL R	SATURATED SUCTION TEMPERATURE		CAPACITY BTU/H (WATTS) R404A R507 CONDENSING TEMPERATURE °F (°C)									
	°F	°C	100 (37.8)	105 (40.6)	110 (43.3)	115 (46.1)	120 (48.9)	125 (51.7)				
R150M8 Compressor Model 3DS3R17ME	40 (4.4)	215100 (63040)	204700 (59990)	194300 (56940)	184000 (53920)	173800 (50940)	163700 (47980)					
	35 (1.7)	194500 (57000)	185100 (54250)	175800 (51520)	166600 (48830)	157500 (46160)	148400 (43490)					
	30 (-1.1)	175500 (51430)	167100 (48970)	158800 (46540)	150600 (44140)	142400 (41730)	134300 (39360)					
	25 (-3.9)	158000 (46310)	150500 (44110)	143100 (41940)	135800 (39800)	128600 (37690)	121300 (35550)					
	20 (-6.7)	141900 (41590)	135300 (39650)	128800 (37750)	122300 (35840)	115800 (33940)	109400 (32060)					
	15 (-9.4)	127200 (37280)	121400 (35580)	115600 (33880)	109900 (32210)	104200 (30540)	98500 (28870)					
	10 (-12.2)	113800 (33350)	108600 (31830)	103500 (30330)	98500 (28870)	93400 (27370)	88400 (25910)					
	5 (-15.0)	101500 (29750)	97000 (28430)	92500 (27110)	88000 (25790)	83500 (24470)	79100 (23180)					
	0 (-17.8)	90300 (26460)	86300 (25290)	82300 (24120)	78400 (22980)	74400 (21800)	70500 (20660)					
R250M8 Compressor Model 4DHNR22ME	40 (4.4)	287500 (84260)	273000 (80010)	258800 (75850)	245000 (71800)	231500 (67850)	218200 (63950)					
	35 (1.7)	262600 (76960)	249300 (73060)	236400 (69280)	223800 (65590)	211500 (61980)	199400 (58440)					
	30 (-1.1)	238600 (69930)	226500 (66380)	214800 (62950)	203300 (59580)	192100 (56300)	181100 (53070)					
	25 (-3.9)	215500 (63160)	204600 (59960)	194000 (56860)	183600 (53810)	173500 (50850)	163500 (47920)					
	20 (-6.7)	193700 (56770)	183800 (53870)	174300 (51080)	164900 (48330)	155800 (45660)	146700 (42990)					
	15 (-9.4)	173100 (50730)	164300 (48150)	155800 (45660)	147400 (43200)	139100 (40770)	131000 (38390)					
	10 (-12.2)	154000 (45130)	146200 (42850)	138600 (40620)	131100 (38420)	123700 (36250)	116400 (34110)					
	5 (-15.0)	136600 (40030)	129700 (38010)	122900 (36020)	116200 (34050)	109700 (32150)	103100 (30220)					
	0 (-17.8)	121000 (35460)	114900 (33670)	108900 (31920)	103000 (30190)	97200 (28490)	91300 (26760)					
R300M8 Compressor Model 4DJNR28ME	40 (4.4)	351200 (102930)	334000 (97890)	316900 (92870)	299800 (87860)	282800 (82880)	265700 (77870)					
	35 (1.7)	318300 (93280)	302700 (88710)	287100 (84140)	271600 (79600)	256000 (75030)	240500 (70480)					
	30 (-1.1)	287600 (84290)	273400 (80130)	259300 (75990)	245200 (71860)	231100 (67730)	217000 (63600)					
	25 (-3.9)	259000 (75910)	246100 (72120)	233400 (68400)	220600 (64650)	207900 (60930)	195200 (57210)					
	20 (-6.7)	232300 (68080)	220800 (64710)	209300 (61340)	197800 (57970)	186500 (54660)	175100 (51320)					
	15 (-9.4)	207600 (60840)	197300 (57820)	187000 (54800)	176800 (51810)	166600 (48830)	156500 (45870)					
	10 (-12.2)	184800 (54160)	175600 (51460)	166500 (48800)	157400 (46130)	148400 (43490)	139400 (40850)					
	5 (-15.0)	163900 (48030)	155700 (45630)	147600 (43260)	139600 (40910)	131700 (38600)	123800 (36280)					
	0 (-17.8)	144700 (42410)	137500 (40300)	130400 (38220)	123400 (36160)	116500 (34140)	109600 (32120)					
R350M8 Compressor Model 6DHNR35ME	40 (4.4)	442800 (129770)	422200 (123730)	401400 (117640)	380400 (111480)	359100 (105240)	337500 (98910)					
	35 (1.7)	400000 (117230)	381400 (111780)	362500 (106240)	343500 (100670)	324300 (95040)	304800 (89330)					
	30 (-1.1)	360500 (105650)	343700 (100730)	326700 (95750)	309600 (90730)	292300 (85660)	274700 (80510)					
	25 (-3.9)	324200 (95010)	309100 (90590)	293800 (86100)	278400 (81590)	262900 (77050)	247100 (72420)					
	20 (-6.7)	291000 (85280)	277400 (81300)	263600 (77250)	249800 (73210)	235800 (69110)	221700 (64970)					
	15 (-9.4)	260500 (76340)	248300 (72770)	236000 (69160)	223600 (65530)	211100 (61870)	198400 (58150)					
	10 (-12.2)	232700 (68200)	221700 (64970)	210600 (61720)	199500 (58470)	188300 (55190)	177000 (51870)					
	5 (-15.0)	207300 (60750)	197400 (57850)	187400 (54920)	177400 (51990)	167400 (49060)	157300 (46100)					
	0 (-17.8)	184200 (53980)	175200 (51350)	166200 (48710)	157200 (46070)	148100 (43400)	139000 (40740)					
R400M8 Compressor Model 6DJNR40ME	40 (4.4)	505600 (148180)	482800 (141490)	460100 (134840)	437200 (128130)	414200 (121390)	390700 (114500)					
	35 (1.7)	460400 (134930)	439500 (128800)	418700 (122710)	397900 (116610)	376800 (110430)	355300 (104130)					
	30 (-1.1)	417900 (122470)	398900 (116910)	379900 (111340)	360900 (105770)	341700 (100140)	322200 (94430)					
	25 (-3.9)	378200 (110840)	360900 (105770)	343600 (100700)	326400 (95660)	309000 (90560)	291200 (85340)					
	20 (-6.7)	341100 (99970)	325400 (95360)	309800 (90790)	294200 (86220)	278400 (81590)	262400 (76900)					
	15 (-9.4)	306700 (89880)	292400 (85690)	278300 (81560)	264300 (77460)	250100 (73300)	235600 (69050)					
	10 (-12.2)	274700 (80510)	261900 (76760)	249200 (73030)	236600 (69340)	223800 (65590)	210800 (61780)					
	5 (-15.0)	245300 (71890)	233700 (68490)	222400 (65180)	211100 (61870)	199700 (58530)	188100 (55130)					
	0 (-17.8)	218400 (64010)	208000 (60960)	197800 (57970)	187700 (55010)	177500 (52020)	167200 (49000)					

LOW TEMPERATURE

Application Data calculated at 65°F Return Gas, 0°F Liquid Subcooling

MODEL R	SATURATED SUCTION TEMPERATURE		CAPACITY BTU/H (WATTS) R404A R507 CONDENSING TEMPERATURE °F (°C)									
	° F	° C	100 (37.8)	105 (40.6)	110 (43.3)	115 (46.1)	120 (48.9)	125 (51.7)				
R0050L6 Compressor Model KANB-005E	0	(-17.8)	4020 (1180)	3740 (1100)	3470 (1020)	3200 (940)	2930 (860)	2650 (780)				
	-5	(-20.6)	3470 (1020)	3220 (940)	2990 (880)	2750 (810)	2500 (730)	2250 (660)				
	-10	(-23.3)	2960 (870)	2750 (810)	2540 (740)	2330 (680)	2110 (620)	1880 (550)				
	-15	(-26.1)	2500 (730)	2310 (680)	2130 (620)	1940 (570)	1740 (510)	1540 (450)				
	-20	(-28.9)	2080 (610)	1910 (560)	1750 (510)	1580 (460)	1410 (410)	1220 (360)				
	-25	(-31.7)	1700 (500)	1560 (460)	1410 (410)	1260 (370)	1100 (320)	920 (270)				
	-30	(-34.4)	1370 (400)	1240 (360)	1110 (330)	970 (280)	820 (240)	660 (190)				
	-35	(-37.2)	1080 (320)	960 (280)	840 (250)	710 (210)	570 (170)	410 (120)				
-40	(-40.0)	840 (250)	730 (210)	610 (180)	490 (140)	350 (100)	200 (60)					
R0075L6 Compressor Model KAMB-007E	0	(-17.8)	6270 (1840)	5940 (1740)	5610 (1640)	5280 (1550)	4940 (1450)	4570 (1340)				
	-5	(-20.6)	5520 (1620)	5230 (1530)	4940 (1450)	4640 (1360)	4320 (1270)	3980 (1170)				
	-10	(-23.3)	4810 (1410)	4550 (1330)	4280 (1250)	4010 (1180)	3720 (1090)	3400 (1000)				
	-15	(-26.1)	4140 (1210)	3910 (1150)	3670 (1080)	3420 (1000)	3150 (920)	2850 (840)				
	-20	(-28.9)	3530 (1030)	3320 (970)	3110 (910)	2880 (840)	2630 (770)	2340 (690)				
	-25	(-31.7)	2990 (880)	2800 (820)	2610 (760)	2390 (700)	2150 (630)	1880 (550)				
	-30	(-34.4)	2530 (740)	2360 (690)	2180 (640)	1970 (580)	1740 (510)	1480 (430)				
	-35	(-37.2)	2160 (630)	2000 (590)	1830 (540)	1640 (480)	1410 (410)	1150 (340)				
-40	(-40.0)	1900 (560)	1750 (510)	1580 (460)	1390 (410)	1170 (340)	900 (260)					
R010L6 Compressor Model KAJB-010E	0	(-17.8)	8070 (2370)	7590 (2220)	7110 (2080)	6630 (1940)	6150 (1800)	5670 (1660)				
	-5	(-20.6)	7070 (2070)	6640 (1950)	6210 (1820)	5790 (1700)	5360 (1570)	4940 (1450)				
	-10	(-23.3)	6160 (1810)	5780 (1690)	5410 (1590)	5030 (1470)	4650 (1360)	4270 (1250)				
	-15	(-26.1)	5350 (1570)	5010 (1470)	4680 (1370)	4350 (1270)	4010 (1180)	3670 (1080)				
	-20	(-28.9)	4610 (1350)	4320 (1270)	4030 (1180)	3730 (1090)	3430 (1010)	3120 (910)				
	-25	(-31.7)	3950 (1160)	3690 (1080)	3430 (1010)	3160 (930)	2900 (850)	2620 (770)				
	-30	(-34.4)	3350 (980)	3120 (910)	2880 (840)	2640 (770)	2400 (700)	2140 (630)				
	-35	(-37.2)	2800 (820)	2590 (760)	2380 (700)	2160 (630)	1930 (570)	1690 (500)				
-40	(-40.0)	2300 (670)	2100 (620)	1900 (560)	1690 (500)	1480 (430)	1250 (370)					
R015L6 Compressor Model KALB-015E	0	(-17.8)	11700 (3430)	11000 (3220)	10300 (3020)	9640 (2830)	8970 (2630)	8310 (2440)				
	-5	(-20.6)	10300 (3020)	9690 (2840)	9090 (2660)	8500 (2490)	7900 (2320)	7300 (2140)				
	-10	(-23.3)	9030 (2650)	8520 (2500)	7990 (2340)	7460 (2190)	6930 (2030)	6380 (1870)				
	-15	(-26.1)	7920 (2320)	7460 (2190)	6990 (2050)	6510 (1910)	6020 (1760)	5530 (1620)				
	-20	(-28.9)	6900 (2020)	6490 (1900)	6070 (1780)	5630 (1650)	5170 (1520)	4700 (1380)				
	-25	(-31.7)	5950 (1740)	5580 (1640)	5190 (1520)	4780 (1400)	4350 (1270)	3900 (1140)				
	-30	(-34.4)	5060 (1480)	4710 (1380)	4340 (1270)	3940 (1150)	3520 (1030)	3080 (900)				
	-35	(-37.2)	4190 (1230)	3860 (1130)	3490 (1020)	3100 (910)	2670 (780)	2230 (650)				
-40	(-40.0)	3330 (980)	2990 (880)	2620 (770)	2220 (650)	1780 (520)	1310 (380)					
R020L6 Compressor Model EAVB-021E	0	(-17.8)	16500 (4840)	15500 (4540)	14600 (4280)	13600 (3990)	12600 (3690)	11700 (3430)				
	-5	(-20.6)	14400 (4220)	13500 (3960)	12700 (3720)	11800 (3460)	11000 (3220)	10100 (2960)				
	-10	(-23.3)	12500 (3660)	11700 (3430)	10900 (3190)	10100 (2960)	9390 (2750)	8690 (2550)				
	-15	(-26.1)	10700 (3140)	10000 (2930)	9260 (2710)	8600 (2520)	7970 (2340)	7370 (2160)				
	-20	(-28.9)	9010 (2640)	8380 (2460)	7780 (2280)	7210 (2110)	6680 (1960)	6180 (1810)				
	-25	(-31.7)	7520 (2200)	6970 (2040)	6450 (1890)	5970 (1750)	5530 (1620)	5140 (1510)				
	-30	(-34.4)	6200 (1820)	5730 (1680)	5290 (1550)	4900 (1440)	4550 (1330)	4250 (1250)				
	-35	(-37.2)	5070 (1490)	4670 (1370)	4310 (1260)	3990 (1170)	3730 (1090)	3530 (1030)				
-40	(-40.0)	4130 (1210)	3790 (1110)	3510 (1030)	3270 (960)	3090 (910)	2980 (870)					
R030L6 Compressor Model LAHB-032E	0	(-17.8)	26600 (7800)	25100 (7360)	23600 (6920)	22000 (6450)	20500 (6010)	18900 (5540)				
	-5	(-20.6)	23300 (6830)	21900 (6420)	20500 (6010)	19100 (5600)	17600 (5160)	16200 (4750)				
	-10	(-23.3)	20100 (5890)	18900 (5540)	17600 (5160)	16300 (4780)	15000 (4400)	13600 (3990)				
	-15	(-26.1)	17300 (5070)	16100 (4720)	14900 (4370)	13800 (4040)	12500 (3660)	11300 (3310)				
	-20	(-28.9)	14600 (4280)	13600 (3990)	12500 (3660)	11400 (3340)	10300 (3020)	9140 (2680)				
	-25	(-31.7)	12200 (3580)	11200 (3280)	10300 (3020)	9300 (2730)	8280 (2430)	7210 (2110)				
	-30	(-34.4)	10000 (2930)	9130 (2680)	8290 (2430)	7400 (2170)	6480 (1900)	5490 (1610)				
	-35	(-37.2)	8000 (2340)	7280 (2130)	6530 (1910)	5740 (1680)	4900 (1440)	3990 (1170)				
-40	(-40.0)	6290 (1840)	5660 (1660)	5000 (1470)	4300 (1260)	3550 (1040)	2720 (800)					

LOW TEMPERATURE (cont'd)

Application Data calculated at 65°F Return Gas, 0°F Liquid Subcooling

MODEL R	SATURATED SUCTION TEMPERATURE		CAPACITY BTU/H (WATTS) R404A R507 CONDENSING TEMPERATURE °F (°C)											
	° F	° C	100	(37.8)	105	(40.6)	110	(43.3)	115	(46.1)	120	(48.9)	125	(51.7)
R035L6 Compressor Model 2DF3F16KE	0	(-17.8)	34700	(10170)	32800	(9610)	31000	(9090)	29200	(8560)	27500	(8060)	25700	(7530)
	-5	(-20.6)	30500	(8940)	28900	(8470)	27300	(8000)	25700	(7530)	24200	(7090)	22700	(6650)
	-10	(-23.3)	26700	(7820)	25300	(7410)	23900	(7000)	22500	(6590)	21200	(6210)	19800	(5800)
	-15	(-26.1)	23300	(6830)	22000	(6450)	20800	(6100)	19600	(5740)	18400	(5390)	17100	(5010)
	-20	(-28.9)	20100	(5890)	19000	(5570)	18000	(5280)	16900	(4950)	15800	(4630)	14600	(4280)
	-25	(-31.7)	17300	(5070)	16300	(4780)	15400	(4510)	14400	(4220)	13400	(3930)	12300	(3600)
	-30	(-34.4)	14800	(4340)	13900	(4070)	13000	(3810)	12100	(3550)	11100	(3250)	10100	(2960)
	-35	(-37.2)	12500	(3660)	11600	(3400)	10800	(3170)	9900	(2900)	8900	(2610)	7900	(2320)
	-40	(-40.0)	10400	(3050)	9600	(2810)	8700	(2550)	7800	(2290)	6900	(2020)	5900	(1730)
R040L6 Compressor Model 2DL3F20KE	0	(-17.8)	41200	(12070)	39200	(11490)	37100	(10870)	35100	(10290)	33000	(9670)	31000	(9090)
	-5	(-20.6)	36400	(10670)	34600	(10140)	32800	(9610)	30900	(9060)	29100	(8530)	27300	(8000)
	-10	(-23.3)	32000	(9380)	30400	(8910)	28800	(8440)	27100	(7940)	25500	(7470)	23900	(7000)
	-15	(-26.1)	28000	(8210)	26600	(7800)	25100	(7360)	23700	(6950)	22200	(6510)	20700	(6070)
	-20	(-28.9)	24400	(7150)	23100	(6770)	21800	(6390)	20500	(6010)	19200	(5630)	17800	(5220)
	-25	(-31.7)	21100	(6180)	19900	(5830)	18700	(5480)	17600	(5160)	16400	(4810)	15200	(4450)
	-30	(-34.4)	18000	(5280)	17000	(4980)	15900	(4660)	14900	(4370)	13800	(4040)	12700	(3720)
	-35	(-37.2)	15300	(4480)	14300	(4190)	13400	(3930)	12400	(3630)	11400	(3340)	10500	(3080)
	-40	(-40.0)	12800	(3750)	11900	(3490)	11000	(3220)	10100	(2960)	9200	(2700)	8300	(2430)
R060L6 Compressor Model 2DA3F23KE	0	(-17.8)	46600	(13660)	44300	(12980)	42100	(12340)	39800	(11660)	37600	(11020)	35400	(10370)
	-5	(-20.6)	41300	(12100)	39300	(11520)	37300	(10930)	35300	(10350)	33300	(9760)	31300	(9170)
	-10	(-23.3)	36500	(10700)	34700	(10170)	32900	(9640)	31100	(9110)	29300	(8590)	27500	(8060)
	-15	(-26.1)	32100	(9410)	30500	(8940)	28900	(8470)	27300	(8000)	25700	(7530)	24100	(7060)
	-20	(-28.9)	28100	(8240)	26600	(7800)	25200	(7390)	23800	(6980)	22300	(6540)	20900	(6130)
	-25	(-31.7)	24400	(7150)	23100	(6770)	21800	(6390)	20500	(6010)	19300	(5660)	18000	(5280)
	-30	(-34.4)	21000	(6150)	19900	(5830)	18700	(5480)	17500	(5130)	16400	(4810)	15200	(4450)
	-35	(-37.2)	18000	(5280)	16900	(4950)	15800	(4630)	14700	(4310)	13600	(3990)	12500	(3660)
	-40	(-40.0)	15100	(4430)	14100	(4130)	13100	(3840)	12100	(3550)	11000	(3220)	10000	(2930)
R061L6 Compressor Model 3DA3F28KE	0	(-17.8)	55600	(16290)	53100	(15560)	50600	(14830)	48200	(14130)	45700	(13390)	43200	(12660)
	-5	(-20.6)	49300	(14450)	47100	(13800)	44900	(13160)	42700	(12510)	40500	(11870)	38300	(11220)
	-10	(-23.3)	43500	(12750)	41600	(12190)	39700	(11630)	37800	(11080)	35800	(10490)	33700	(9880)
	-15	(-26.1)	38300	(11220)	36600	(10730)	34900	(10230)	33100	(9700)	31300	(9170)	29500	(8650)
	-20	(-28.9)	33500	(9820)	32000	(9380)	30500	(8940)	28900	(8470)	27300	(8000)	25500	(7470)
	-25	(-31.7)	29100	(8530)	27800	(8150)	26400	(7740)	25000	(7330)	23400	(6860)	21800	(6390)
	-30	(-34.4)	25200	(7390)	24000	(7030)	22700	(6650)	21400	(6270)	19900	(5830)	18300	(5360)
	-35	(-37.2)	21700	(6360)	20500	(6010)	19300	(5660)	18000	(5280)	16600	(4860)	15000	(4400)
	-40	(-40.0)	18500	(5420)	17400	(5100)	16200	(4750)	14900	(4370)	13500	(3960)	11900	(3490)
R075L6 Compressor Model 3DB3F33KE	0	(-17.8)	65600	(19230)	62700	(18380)	59800	(17530)	56900	(16680)	54000	(15830)	51200	(15010)
	-5	(-20.6)	58100	(17030)	55600	(16290)	53000	(15530)	50500	(14800)	48000	(14070)	45500	(13330)
	-10	(-23.3)	51300	(15030)	49100	(14390)	46900	(13740)	44700	(13100)	42500	(12460)	40300	(11810)
	-15	(-26.1)	45200	(13250)	43200	(12660)	41300	(12100)	39300	(11520)	37400	(10960)	35400	(10370)
	-20	(-28.9)	39600	(11610)	37900	(11110)	36200	(10610)	34500	(10110)	32700	(9580)	30900	(9060)
	-25	(-31.7)	34600	(10140)	33100	(9700)	31500	(9230)	29900	(8760)	28300	(8290)	26700	(7820)
	-30	(-34.4)	30000	(8790)	28600	(8380)	27200	(7970)	25700	(7530)	24200	(7090)	22700	(6650)
	-35	(-37.2)	25800	(7560)	24500	(7180)	23200	(6800)	21800	(6390)	20300	(5950)	18800	(5510)
	-40	(-40.0)	21900	(6420)	20600	(6040)	19300	(5660)	18000	(5280)	16500	(4840)	15000	(4400)
R090L6 Compressor Model 3DF3F40KE	0	(-17.8)	80300	(23530)	76900	(22540)	73400	(21510)	70000	(20510)	66600	(19520)	63100	(18490)
	-5	(-20.6)	71200	(20870)	68100	(19960)	65100	(19080)	62100	(18200)	59000	(17290)	56000	(16410)
	-10	(-23.3)	62900	(18430)	60200	(17640)	57500	(16850)	54800	(16060)	52100	(15270)	49400	(14480)
	-15	(-26.1)	55300	(16210)	52900	(15500)	50500	(14800)	48200	(14130)	45800	(13420)	43300	(12690)
	-20	(-28.9)	48400	(14180)	46300	(13570)	44200	(12950)	42100	(12340)	39900	(11690)	37800	(11080)
	-25	(-31.7)	42100	(12340)	40200	(11780)	38400	(11250)	36500	(10700)	34500	(10110)	32600	(9550)
	-30	(-34.4)	36400	(10670)	34700	(10170)	33000	(9670)	31300	(9170)	29600	(8670)	27800	(8150)
	-35	(-37.2)	31300	(9170)	29700	(8700)	28200	(8260)	26600	(7800)	25000	(7330)	23300	(6830)
	-40	(-40.0)	26600	(7800)	25200	(7390)	23700	(6950)	22200	(6510)	20700	(6070)	19100	(5600)

table continues on next page >>>

LOW TEMPERATURE (cont'd)

Application Data calculated at 65°F Return Gas, 0°F Liquid Subcooling

MODEL R	SATURATED SUCTION TEMPERATURE °F °C	CAPACITY BTU/H (WATTS) R404A R507 CONDENSING TEMPERATURE °F (°C)									
		100 (37.8)	105 (40.6)	110 (43.3)	115 (46.1)	120 (48.9)	125 (51.7)				
R100L6 Compressor Model 3DS3F46KE	0 (-17.8)	89000 (26080)	85200 (24970)	81300 (23830)	77400 (22680)	73400 (21510)	69600 (20400)				
	-5 (-20.6)	79400 (23270)	76000 (22270)	72500 (21250)	69000 (20220)	65500 (19200)	62000 (18170)				
	-10 (-23.3)	70600 (20690)	67500 (19780)	64400 (18870)	61300 (17970)	58100 (17030)	55000 (16120)				
	-15 (-26.1)	62400 (18290)	59600 (17470)	56800 (16650)	54000 (15830)	51200 (15010)	48400 (14180)				
	-20 (-28.9)	54800 (16060)	52400 (15360)	49900 (14620)	47300 (13860)	44800 (13130)	42300 (12400)				
	-25 (-31.7)	47900 (14040)	45700 (13390)	43400 (12720)	41100 (12050)	38800 (11370)	36600 (10730)				
	-30 (-34.4)	41500 (12160)	39500 (11580)	37400 (10960)	35400 (10370)	33300 (9760)	31200 (9140)				
	-35 (-37.2)	35700 (10460)	33900 (9940)	32000 (9380)	30000 (8790)	28100 (8240)	26200 (7680)				
	-40 (-40.0)	30400 (8910)	28700 (8410)	26900 (7880)	25100 (7360)	23300 (6830)	21500 (6300)				
R150L6 Compressor Model 4DHN63KE	0 (-17.8)	121700 (35670)	115700 (33910)	109900 (32210)	104300 (30570)	98900 (28980)	93800 (27490)				
	-5 (-20.6)	108500 (31800)	103000 (30190)	97800 (28660)	92700 (27170)	87900 (25760)	83300 (24410)				
	-10 (-23.3)	96500 (28280)	91500 (26820)	86700 (25410)	82200 (24090)	77800 (22800)	73700 (21600)				
	-15 (-26.1)	85500 (25060)	81000 (23740)	76700 (22480)	72600 (21280)	68700 (20130)	65000 (19050)				
	-20 (-28.9)	75500 (22130)	71400 (20930)	67400 (19750)	63700 (18670)	60200 (17640)	56900 (16680)				
	-25 (-31.7)	66100 (19370)	62400 (18290)	58800 (17230)	55500 (16270)	52300 (15330)	49400 (14480)				
	-30 (-34.4)	57300 (16790)	53900 (15800)	50700 (14860)	47700 (13980)	44800 (13130)	42200 (12370)				
	-35 (-37.2)	49000 (14360)	45900 (13450)	42900 (12570)	40200 (11780)	37600 (11020)	35300 (10350)				
	-40 (-40.0)	40800 (11960)	38000 (11140)	35300 (10350)	32800 (9610)	30500 (8940)	28400 (8320)				
R200L6 Compressor Model 4DJNF76KE	0 (-17.8)	145400 (42610)	138000 (40440)	130900 (38360)	124100 (36370)	117700 (34490)	111600 (32710)				
	-5 (-20.6)	130100 (38130)	123500 (36190)	117200 (34350)	111200 (32590)	105400 (30890)	99800 (29250)				
	-10 (-23.3)	116100 (34030)	110200 (32300)	104600 (30660)	99200 (29070)	93900 (27520)	88800 (26020)				
	-15 (-26.1)	103100 (30220)	97900 (28690)	92800 (27200)	87900 (25760)	83100 (24350)	78400 (22980)				
	-20 (-28.9)	91000 (26670)	86400 (25320)	81800 (23970)	77400 (22680)	72900 (21360)	68500 (20080)				
	-25 (-31.7)	79700 (23360)	75600 (22160)	71500 (20950)	67300 (19720)	63100 (18490)	58900 (17260)				
	-30 (-34.4)	69200 (20280)	65400 (19170)	61600 (18050)	57700 (16910)	53700 (15740)	49500 (14510)				
	-35 (-37.2)	59200 (17350)	55700 (16320)	52100 (15270)	48300 (14160)	44400 (13010)	40200 (11780)				
	-40 (-40.0)	49600 (14540)	46300 (13570)	42800 (12540)	39100 (11460)	35100 (10290)	30800 (9030)				
R250L6 Compressor Model 6DHN93KE	0 (-17.8)	184900 (54190)	176200 (51640)	167700 (49150)	159400 (46720)	151200 (44310)	143100 (41940)				
	-5 (-20.6)	165100 (48390)	157400 (46130)	149800 (43900)	142300 (41700)	135000 (39560)	127600 (37400)				
	-10 (-23.3)	146500 (42930)	139600 (40910)	132800 (38920)	126100 (36960)	119400 (34990)	112700 (33030)				
	-15 (-26.1)	129100 (37840)	122900 (36020)	116800 (34230)	110700 (32440)	104600 (30660)	98500 (28870)				
	-20 (-28.9)	112800 (33060)	107200 (31420)	101700 (29810)	96200 (28190)	90700 (26580)	85000 (24910)				
	-25 (-31.7)	97800 (28660)	92700 (27170)	87700 (25700)	82600 (24210)	77500 (22710)	72200 (21160)				
	-30 (-34.4)	84000 (24620)	79400 (23270)	74700 (21890)	70100 (20540)	65200 (19110)	60300 (17670)				
	-35 (-37.2)	71500 (20950)	67200 (19690)	62900 (18430)	58500 (17140)	53900 (15800)	49100 (14390)				
	-40 (-40.0)	60400 (17700)	56300 (16500)	52200 (15300)	47900 (14040)	43400 (12720)	38700 (11340)				
R300L6 Compressor Model 6DJNF11ME	0 (-17.8)	208300 (61050)	198200 (58090)	188100 (55130)	178200 (52230)	168300 (49320)	158600 (46480)				
	-5 (-20.6)	185100 (54250)	176200 (51640)	167300 (49030)	158400 (46420)	149700 (43870)	141100 (41350)				
	-10 (-23.3)	163800 (48000)	155900 (45690)	148100 (43400)	140200 (41090)	132500 (38830)	124800 (36580)				
	-15 (-26.1)	144300 (42290)	137300 (40240)	130400 (38220)	123400 (36160)	116500 (34140)	109600 (32120)				
	-20 (-28.9)	126500 (37070)	120300 (35260)	114100 (33440)	107800 (31590)	101600 (29780)	95500 (27990)				
	-25 (-31.7)	110200 (32300)	104600 (30660)	99000 (29010)	93400 (27370)	87800 (25730)	82200 (24090)				
	-30 (-34.4)	95300 (27930)	90300 (26460)	85200 (24970)	80000 (23450)	74800 (21920)	69600 (20400)				
	-35 (-37.2)	81700 (23940)	77100 (22600)	72300 (21190)	67400 (19750)	62600 (18350)	57700 (16910)				
	-40 (-40.0)	69300 (20310)	64900 (19020)	60300 (17670)	55700 (16320)	50900 (14920)	46200 (13540)				

MODEL R	COMPRESSOR MODEL NO.	POWER SUPPLY	COMPRESSOR		COOLING FAN	UNIT		
			RLA	LRA	FLA	MCA	MOP	
R0075M2-	IS2A	KAN2-0075-CAV	208-230/1/60	6.1	36	0.85	7.6	15
	IT3A	KAN1-0075-TAC	208-230/3/60	3.5	19.9	0.44	4.4	15
R010M2-	IS2A	KAR2-0100-CAV	208-230/1/60	7.4	40	0.85	9.3	15
	IT3A	KAR1-0100-TAC	208-230/3/60	4.3	27	0.85	5.4	15
	IT4A	KAR1-0100-TAD	460/3/60	2.2	13.5	0.44	2.8	15
R015M2-	IS2A	KAGB-0150-CAV	208-230/1/60	9.6	55	0.85	12.0	20
	IT3A	KAGA-0150-TAC	208-230/3/60	5.5	35.5	0.85	6.9	15
	IT4A	KAGA-0150-TAD	460/3/60	2.5	18.2	0.44	3.1	15
R020M2-	IS3A	ERA2-0200-CAB	230/1/60	10.4	58	0.85	13.0	20
	IT3A	ERA1-0200-TAC	208-230/3/60	6.6	46	0.85	8.3	15
	IT4A	ERA1-0200-TAD	460/3/60	3.5	23	0.44	4.4	15
	IT5A	ERA1-0200-TAE	575/3/60	3.5	20	0.85	4.4	15
R010M6-	IS2A	KARB-010E-CAV	208-230/1/60	7.4	40.0	0.85	9.3	15
	IT3A	KARA-010E-TAC	208-230/3/60	4.3	27	0.85	5.4	15
R020M6-	IS2A	KAKB-021E-CAV	208-230/1/60	10.6	55	0.85	13.3	20
	IT3A	KAKA-020E-TAC	208-230/3/60	6.8	50	0.85	8.5	15
R021M6-	IT3A	ERCA-021E-TAC	208-230/3/60	8.8	46	0.85	11.0	15
	IT4A	ERCA-020E-TAD	460/3/60	3.5	23	0.44	4.4	15
	IT5A	ERCA-021E-TAE	575/3/60	3.1	20	0.85	3.9	15
R030M8-	IS3A	ERFB-031E-CAB	230/1/60	17	86	-	21.3	35
	IT3A	ERFA-031E-TAC	208-230/3/60	12.4	82	-	15.5	25
	IT4A	ERFA-031E-TAD	460/3/60	5.8	41	-	7.3	15
	IT5A	ERFA-031E-TAE	575/3/60	5.2	30	-	6.5	15
R050M8-	IT3A	2DC3R53KE-TFC	208-230/3/60	22.3	120	-	27.9	50
	IT4A	2DC3R53KE-TFD	460/3/60	10.4	60	-	13.0	20
	IT5A	2DC3R53KE-TFE	575/3/60	7.7	49	-	9.6	15
R051M8-	IT3A	2DD3R63KE-TFC	208-230/3/60	22.3	120	-	27.9	50
	IT4A	2DD3R63KE-TFD	460/3/60	10.5	60	-	13.1	20
	IT5A	2DD3R63KE-TFE	575/3/60	7.9	49	-	9.9	15
R075M8-	IT3A	2DL3R78KE-TFC	208-230/3/60	31.6	169	-	39.5	70
	IT4A	2DL3R78KE-TFD	460/3/60	13.8	85	-	17.3	30
	IT5A	2DL3R78KE-TFE	575/3/60	13.2	67	-	16.5	25
R076M8-	IT3A	3DA3R10ME-TFC	208-230/3/60	41	215	-	51.3	90
	IT4A	3DA3R10ME-TFD	460/3/60	20	106	-	25.0	45
	IT5A	3DA3R10ME-TFE	575/3/60	16.4	84	-	20.5	35
R100M8-	IT3A	3DB3R12ME-TFC	208-230/3/60	43.6	215	-	54.5	90
	IT4A	3DB3R12ME-TFD	460/3/60	20	106	-	25.0	45
	IT5A	3DB3R12ME-TFE	575/3/60	16.5	84	-	20.6	35
R150M8-	IT3A	3DS3R17ME-TFC	208-230/3/60	59.6	275	-	74.5	125
	IT4A	3DS3R17ME-TFD	460/3/60	29	138	-	36.3	60
	IT5A	3DS3R17ME-TFE	575/3/60	23.6	110	-	29.5	50
R250M8-	IT3A	4DHNR22ME-TSK	208-230/3/60	82.1	428	-	102.6	175
	IT4A	4DHNR22ME-TSK	460/3/60	41.1	214	-	51.4	90
	IT5A	4DHNR22ME-TSE	575/3/60	34.4	172	-	43.0	70
R300M8-	IT3A	4DJNR28ME-TSK	208-230/3/60	105.4	470	-	131.8	225
	IT4A	4DJNR28ME-TSK	460/3/60	52.7	235	-	65.9	100
	IT5A	4DJNR28ME-TSE	575/3/60	44.1	200	-	55.1	90
R350M8-	IT3A	6DHNR35ME-TSK	208-230/3/60	125.1	565	-	156.4	250
	IT4A	6DHNR35ME-TSK	460/3/60	62.6	283	-	78.3	125
	IT5A	6DHNR35ME-TSE	575/3/60	43.1	230	-	53.9	90
R400M8-	IT3A	6DJNR40ME-TSN	230/3/60	142.9	594	-	178.6	300
	IT4A	6DJNR40ME-TSN	460/3/60	71.4	297	-	89.3	150
	IT5A	6DJNR40ME-TSE	575/3/60	53.5	245	-	66.9	110

Above listed RLA value is based on UL rating method and may differ from published compressor RLA data.

table continues on next page >>>

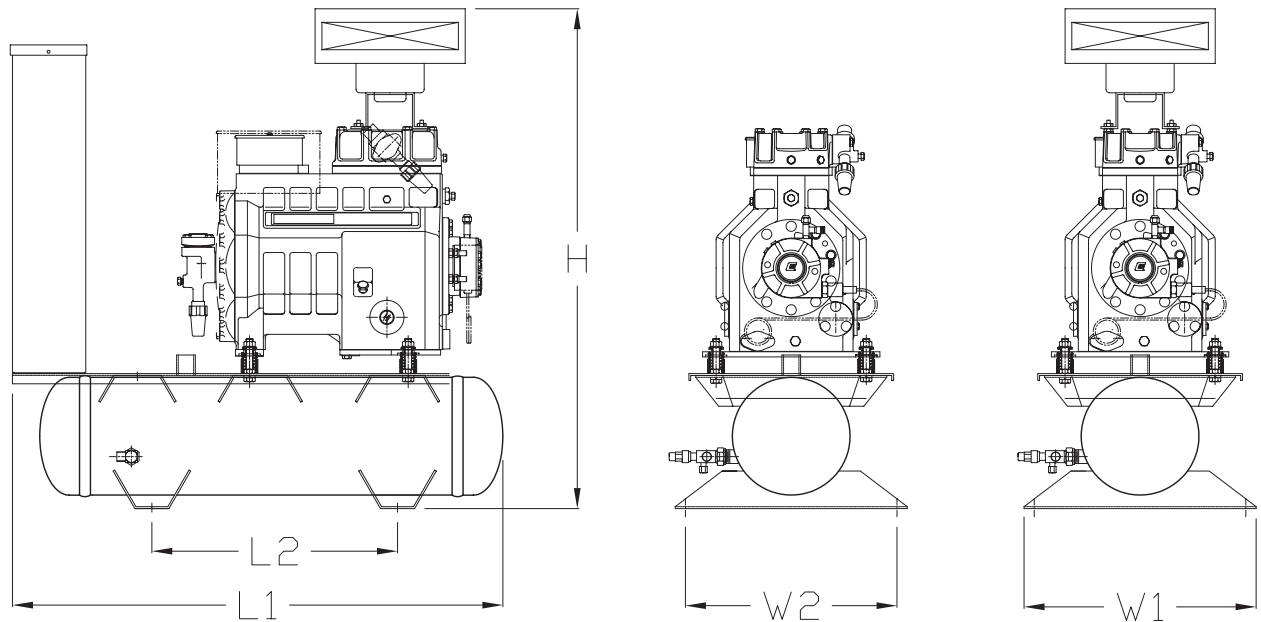
ELECTRICAL DATA

(cont'd)

MODEL R	COMPRESSOR MODEL NO.	POWER SUPPLY	COMPRESSOR		COOLING FAN	UNIT		
			RLA	LRA	FLA	MCA	MOP	
R0050L 6/8 -	IS2A	KANB-005E-CAV	208-230/1/60	3.6	24	0.85	5.4	15
	IT3A	KANA-006E-TAC	208-230/3/60	2.2	13.2	0.85	3.6	15
R0075L 6/8 -	IS2A	KAMB-007E-CAV	208-230/1/60	5.6	36	0.85	7.9	15
	IT3A	KAMA-007E-TAC	208-230/3/60	3.2	19.9	0.85	4.9	15
R010L 6/8 -	IS2A	KAJB-010E-CAV	208-230/1/60	6.9	40	0.85	9.5	15
	IT3A	KAJA-011E-TAC	208-230/3/60	4.6	27	0.85	6.6	15
	IT4A	KAJA-011E-TAD	460/3/60	2.1	15	0.44	3.1	15
R015L 6/8 -	IS2A	KALB-015E-CAV	208-230/1/60	9.9	55	0.85	13.2	20
	IT3A	KALA-016E-TAC	208-230/3/60	6.6	50	0.85	9.1	15
	IT4A	KALA-016E-TAD	460/3/60	3.4	25	0.44	4.7	15
R020L 6/8 -	IS2A	EAVB-021E-CAV	208-230/1/60	14.7	102	0.85	19.2	30
	IT3A	EAVA-021E-TAC	208-230/3/60	7.4	50	0.85	10.1	15
	IT4A	EAVA-021E-TAD	460/3/60	3.9	26.6	0.44	5.3	15
	IT5A	EAVA-021E-TAE	575/3/60	3.1	20	0.85	4.7	15
R030L 6/8 -	IS3A	LAHB-032E-CAB	230/1/60	16.7	105	0.85	21.7	35
	IT3A	LAHA-032E-TAC	208-230/3/60	12.8	112	0.85	16.9	25
	IT4A	LAHA-032E-TAD	460/3/60	6	56	0.44	7.9	15
	IT5A	LAHA-032E-TAE	575/3/60	4.1	30	0.85	6.0	15
R035L 6/8 -	IS3A	2DF3F16KE-CFB	230/1/60	25.8	125	0.85	33.1	50
	IT3A	2DF3F16KE-TFC	208-230/3/60	16.8	102	0.85	21.9	35
	IT4A	2DF3F16KE-TFD	460/3/60	8.1	52	0.44	10.6	15
	IT5A	2DF3F16KE-TFE	575/3/60	6.7	41	0.85	9.2	15
R040L 6/8 -	IT3A	2DL3F20KE-TFC	208-230/3/60	26.3	161	0.85	33.7	50
	IT4A	2DL3F20KE-TFD	460/3/60	10.2	60	0.44	13.2	20
	IT5A	2DL3F20KE-TFE	575/3/60	7.7	49	0.85	10.5	15
R060L 6/8 -	IT3A	2DA3F23KE-TFC	208-230/3/60	28.8	161	0.85	36.9	60
	IT4A	2DA3F23KE-TFD	460/3/60	10.2	60	0.44	13.2	20
	IT5A	2DA3F23KE-TFE	575/3/60	9.1	49	0.85	12.2	20
R061L 6/8 -	IT3A	3DA3F28KE-TFC	208-230/3/60	30.3	150	0.85	38.7	60
	IT4A	3DA3F28KE-TFD	460/3/60	13.7	77	0.44	17.6	30
	IT5A	3DA3F28KE-TFE	575/3/60	10.5	62	0.85	14.0	20
R075L 6/8 -	IT3A	3DB3F33KE-TFC	208-230/3/60	31.4	161	0.85	40.1	70
	IT4A	3DB3F33KE-TFD	460/3/60	16.1	83	0.44	20.6	35
	IT5A	3DB3F33KE-TFE	575/3/60	11	67	0.85	14.6	25
R090L 6/8 -	IT3A	3DF3F40KE-TFC	208-230/3/60	39	215	0.85	49.6	80
	IT4A	3DF3F40KE-TFD	460/3/60	16.9	106	0.44	21.6	35
	IT5A	3DF3F40KE-TFE	575/3/60	16.5	84	0.85	21.5	35
R100L 6/8 -	IT3A	3DS3F46KE-TFC	208-230/3/60	41.4	215	0.85	52.6	90
	IT4A	3DS3F46KE-TFD	460/3/60	18.6	106	0.44	23.7	40
	IT5A	3DS3F46KE-TFE	575/3/60	16.2	84	0.85	21.1	35
R150L 6/8 -	IT3A	4DHNf63KE-TSK	208-230/3/60	52.6	278	0.85	66.6	110
	IT4A	4DHNf63KE-TSK	460/3/60	26.3	139	0.44	33.3	50
	IT5A	4DHNf63KE-TSE	575/3/60	20.9	113	0.85	27.0	45
R200L 6/8 -	IT3A	4DJNF76KE-TSK	208-230/3/60	64.3	374	0.85	81.2	125
	IT4A	4DJNF76KE-TSK	460/3/60	32.1	187	0.44	40.6	70
	IT5A	4DJNF76KE-TSE	575/3/60	29.1	135	0.85	37.2	60
R250L 6/8 -	IT3A	6DHNf93KE-TSK	208-230/3/60	80.7	450	0.85	101.7	175
	IT4A	6DHNf93KE-TSK	460/3/60	40.4	225	0.44	50.9	90
	IT5A	6DHNf93KE-TSE	575/3/60	32.5	172	0.85	41.5	70
R300L 6/8 -	IT3A	6DJNF11ME-TSK	208-230/3/60	95.6	470	0.85	120.4	200
	IT4A	6DJNF11ME-TSK	460/3/60	47.8	235	0.44	60.2	100
	IT5A	6DJNF11ME-TSE	575/3/60	39.6	200	0.85	50.4	80

Above listed RLA value is based on UL rating method and may differ from published compressor RLA data.

MODEL R	OVERALL						BASE MTG. CENTERS			
	L1		W2		H		L2		W2	
	Inches	mm	Inches	mm	Inches	mm	Inches	mm	Inches	mm
R0075M2	24	610	30	762	18 1/4	464	12	305	13	330
R010M2	24	610	30	762	18 1/4	464	12	305	13	330
R015M2	24	610	30	762	18 1/4	464	12	305	13	330
R020M2	24	610	23	584	21	533	12	305	13	330
R010M6	24	610	31	787	18 1/4	464	12	305	13	330
R020M6	24	610	23	584	21	533	12	305	13	330
R021M6	24	610	23	584	21	533	12	305	13	330
R030M8	24	610	23	584	23	584	12	305	13	330
R050M8	30	762	23	584	28	711	12	305	13	330
R051M8	30	762	23	584	28	711	12	305	13	330
R075M8	32	813	23	584	30 1/4	768	15	381	13	330
R076M8	32	813	23	584	30 1/2	775	15	381	13	330
R100M8	43	1092	25	635	31	787	24	610	15 1/2	394
R150M8	43	1092	25	635	31	787	24	610	15 1/2	394
R200M8	41	1041	28	711	31 3/4	806	24	610	15 1/2	394
R250M8	41	1041	29	737	33 1/4	845	24	610	15 1/2	394
R300M8	51	1295	29	737	33 3/4	857	24	610	15 1/2	394
R350M8	51	1295	31	787	33	838	24	610	15 1/2	394
R400M8	51	1295	35	889	35 1/4	895	24	610	15 1/2	394
R0050L 6/8	24	610	14 1/2	368	18 1/4	464	12	305	13	330
R0075L 6/8	24	610	20	508	18 1/4	464	12	305	13	330
R010L 6/8	24	610	20	508	18 1/4	464	12	305	13	330
R015L 6/8	24	610	20	508	18 1/4	464	12	305	13	330
R020L 6/8	24	610	14 1/2	368	16 1/2	419	12	305	13	330
R030L 6/8	24	610	17	432	24	610	12	305	13	330
R035L 6/8	30	762	17	432	35 1/2	902	12	305	13	330
R040L 6/8	30	762	17	432	35 1/2	902	12	305	13	330
R060L 6/8	32	813	17	432	37 3/4	959	15	381	13	330
R061L 6/8	32	813	17	432	38	965	15	381	13	330
R075L 6/8	32	813	17	432	38	965	15	381	13	330
R090L 6/8	43	1092	18	457	38 1/2	978	24	610	15 1/2	394
R100L 6/8	43	1092	18	457	38 1/2	978	24	610	15 1/2	394
R150L 6/8	43	1092	22 3/4	578	36 3/4	933	24	610	15 1/2	394
R200L 6/8	41	1041	23 1/4	591	38 3/4	984	24	610	15 1/2	394
R250L 6/8	41	1041	26 3/4	679	41 3/4	1060	24	610	15 1/2	394
R300L 6/8	51	1295	26 3/4	679	43 3/4	1111	24	610	15 1/2	394



MODEL R	COMPRESSOR				RECEIVER				R404A RECEIVER CAPACITY 90% FULL *		SHIPPING WEIGHT			
	DISCHARGE (OD)		SUCTION (OD)		INLET		OUTLET		Lbs.	Kgs	OUTDOOR		INDOOR	
	Inches	mm	Inches	mm	Inches	mm	Inches	mm			Lbs.	Kgs	Lbs.	Kgs
R0075M2	3/8	10	1/2	13	1/2	13	3/8	10	27	12	286	130	230	104
R010M2	1/2	13	5/8	16	1/2	13	3/8	10	27	12	288	131	260	118
R015M2	1/2	13	7/8	22	1/2	13	3/8	10	27	12	291	132	295	134
R020M2	5/8	16	7/8	22	1/2	13	3/8	10	27	12	361	164	305	138
R010M6	1/2	13	5/8	16	1/2	13	3/8	10	25	11	290	132	432	196
R020M6	5/8	16	7/8	22	1/2	13	3/8	10	25	11	298	135	230	104
R021M6	5/8	16	7/8	22	1/2	13	3/8	10	25	11	371	168	260	118
R030M8*	5/8	16	1 1/8	29	1/2	13	3/8	10	40	18	386	175	370	168
R050M8*	7/8	22	1 3/8	35	5/8	16	5/8	16	50	23	516	234	721	327
R051M8*	7/8	22	1 3/8	35	5/8	16	5/8	16	50	23	516	234	724	328
R075M8*	7/8	22	1 3/8	35	5/8	16	5/8	16	81	37	599	272	735	333
R076M8*	1 1/8	29	1 3/8	35	5/8	16	5/8	16	81	37	632	287	830	376
R100M8*	1 1/8	29	1 3/8	35	7/8	22	7/8	22	112	51	672	305	830	376
R150M8*	1 1/8	29	1 5/8	41	7/8	22	7/8	22	149	68	680	308	830	376
R250M8*	1 3/8	35	2 1/8	54	1 1/8	29	1 1/8	29	149	68	811	368	1030	467
R300M8*	1 3/8	35	2 1/8	54	1 1/8	29	1 1/8	29	187	85	835	379	1030	467
R350M8*	1 5/8	41	2 1/8	54	1 1/8	29	1 1/8	29	187	85	905	411	260	118
R400M8*	1 5/8	41	2 1/8	54	1 1/8	29	1 1/8	29	187	85	957	434	305	138
R0050L 6/8	3/8	10	1/2	13	1/2	13	3/8	10	23	10	286	130	370	168
R0075L 6/8	3/8	10	5/8	16	1/2	13	3/8	10	23	10	285	129	432	196
R010L 6/8	1/2	13	5/8	16	1/2	13	3/8	10	23	10	293	133	497	225
R015L 6/8	1/2	13	7/8	22	1/2	13	3/8	10	23	10	295	134	230	104
R020L 6/8	1/2	13	7/8	22	1/2	13	3/8	10	23	10	367	166	260	118
R030L 6/8	5/8	16	1 1/8	29	1/2	13	3/8	10	40	18	449	204	275	125
R035L 6/8	7/8	22	1 3/8	35	1/2	13	1/2	13	50	23	533	242	300	136
R040L 6/8	7/8	22	1 3/8	35	1/2	13	1/2	13	50	23	538	244	370	168
R060L 6/8	7/8	22	1 3/8	35	5/8	16	5/8	16	81	37	616	279	375	170
R061L 6/8	1 1/8	29	1 3/8	35	5/8	16	5/8	16	81	37	648	294	448	203
R075L 6/8	1 1/8	29	1 3/8	35	5/8	16	5/8	16	81	37	658	298	446	202
R090L 6/8	1 1/8	29	1 3/8	35	7/8	22	7/8	22	112	51	673	305	543	246
R100L 6/8	1 1/8	29	1 3/8	35	7/8	22	7/8	22	112	51	693	314	573	259
R150L 6/8	1 3/8	35	1 5/8	41	7/8	22	7/8	22	112	51	760	345	736	333
R200L 6/8	1 3/8	35	2 1/8	54	1 1/8	29	1 1/8	29	149	68	818	371	774	350
R250L 6/8	1 3/8	35	2 1/8	54	1 1/8	29	1 1/8	29	149	68	881	400	782	354
R300L 6/8	1 3/8	35	2 1/8	54	1 1/8	29	1 1/8	29	187	85	930	422	830	376

*** NOTE ON ALTERNATE REFRIGERANTS:**

* PUBLISHED RECEIVER CAPACITY IS BASED ON **R404A** ON MODELS USING "8" AS REFRIGERANT CODE.
FOR ALERNATE REFRIGERANTS, MULTIPLY **R404A** VALUE BY THE APPROPRIATE VALUE BELOW:

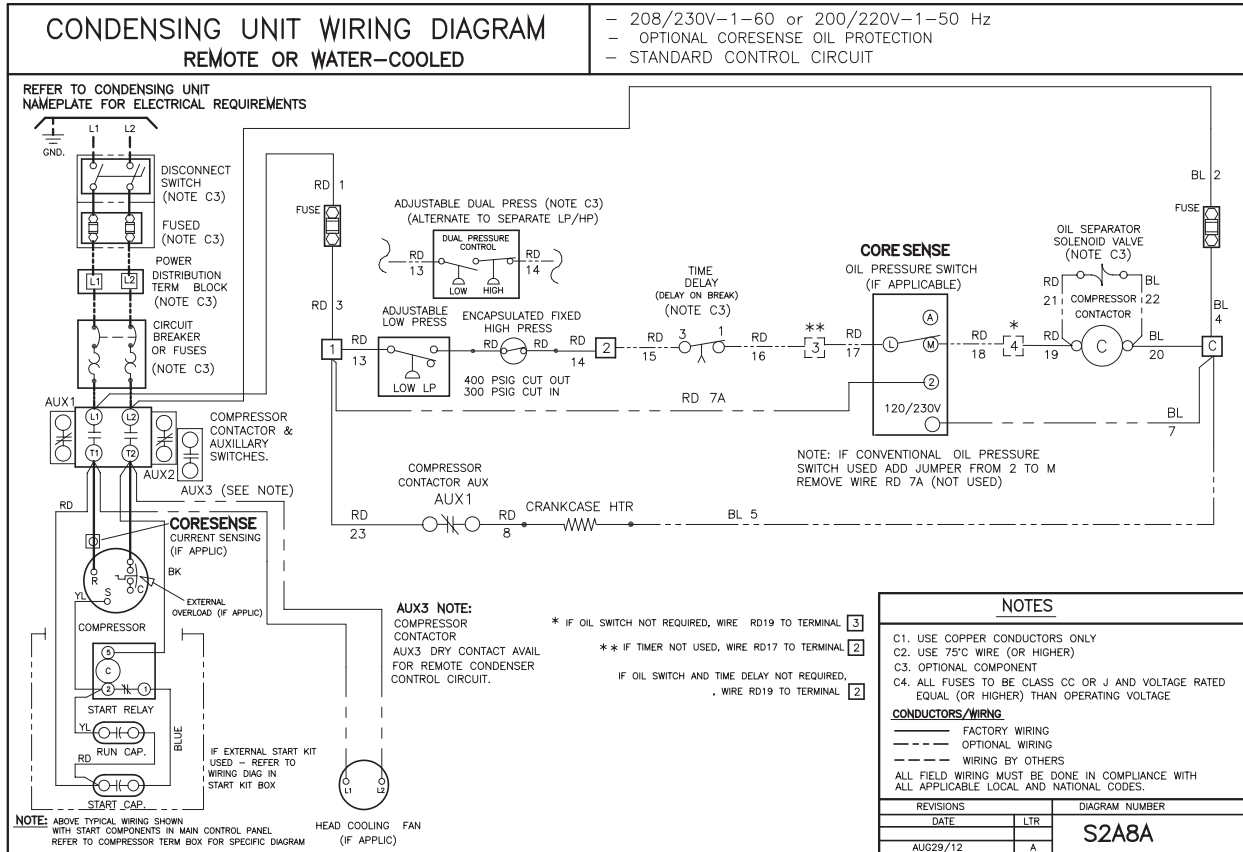
R407A	R407C	R448A	R507	R22
1.10	1.10	1.05	1.00	1.15

- For R449A, use R448A data.

TYPICAL SYSTEM WIRING DIAGRAM

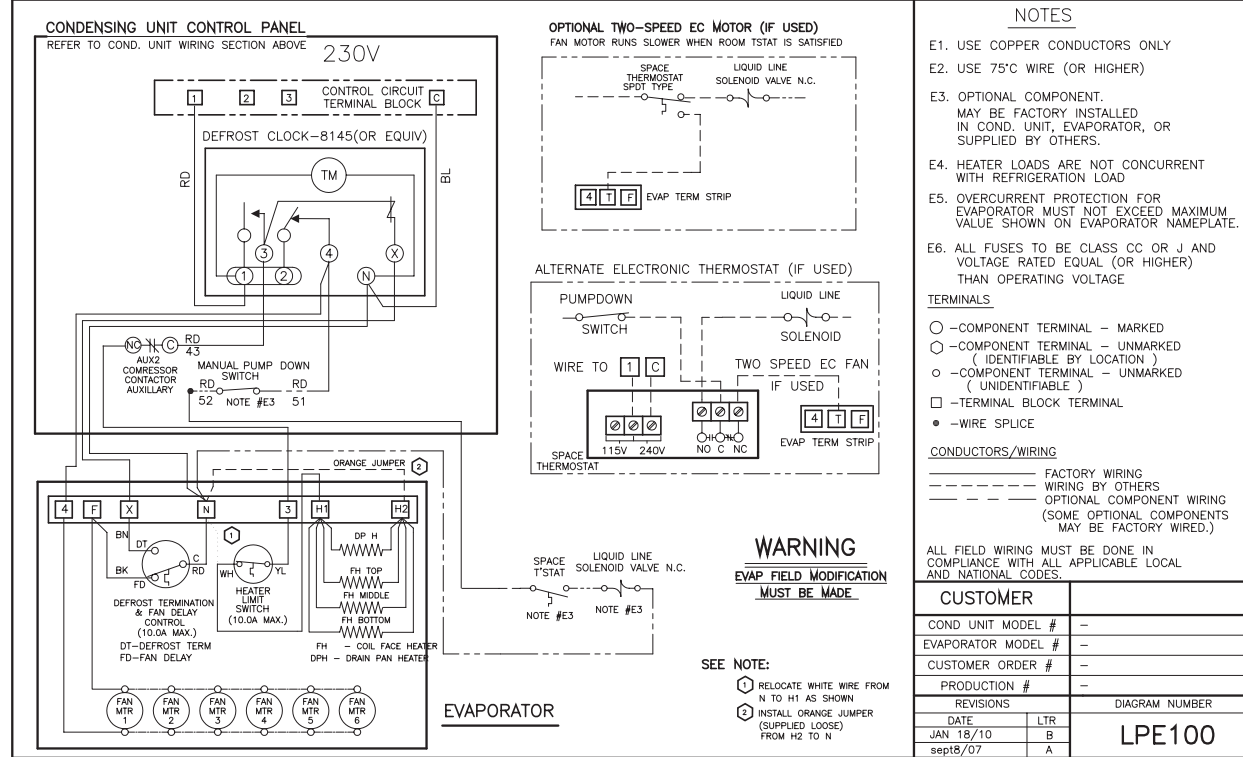
208-230/1/60 Unit

with Low Profile Electric Defrost Evaporator



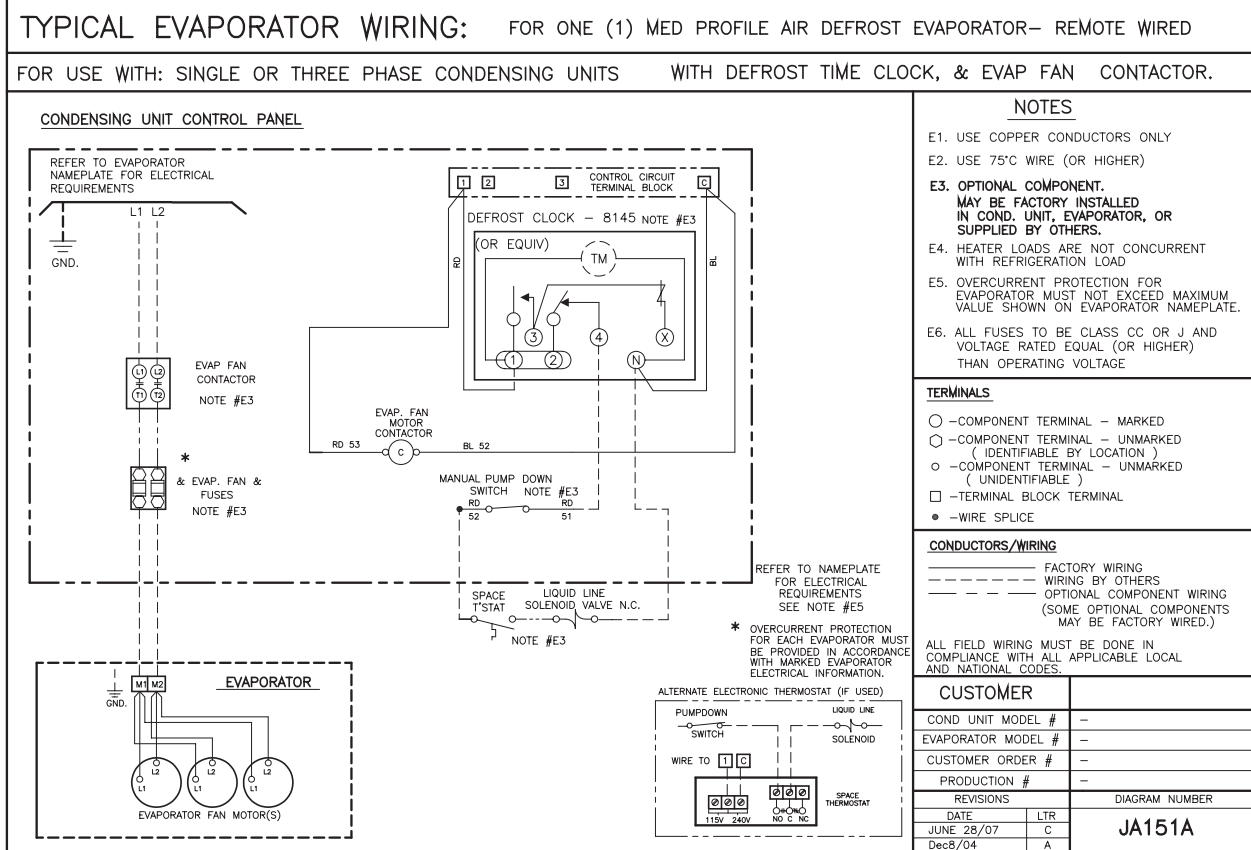
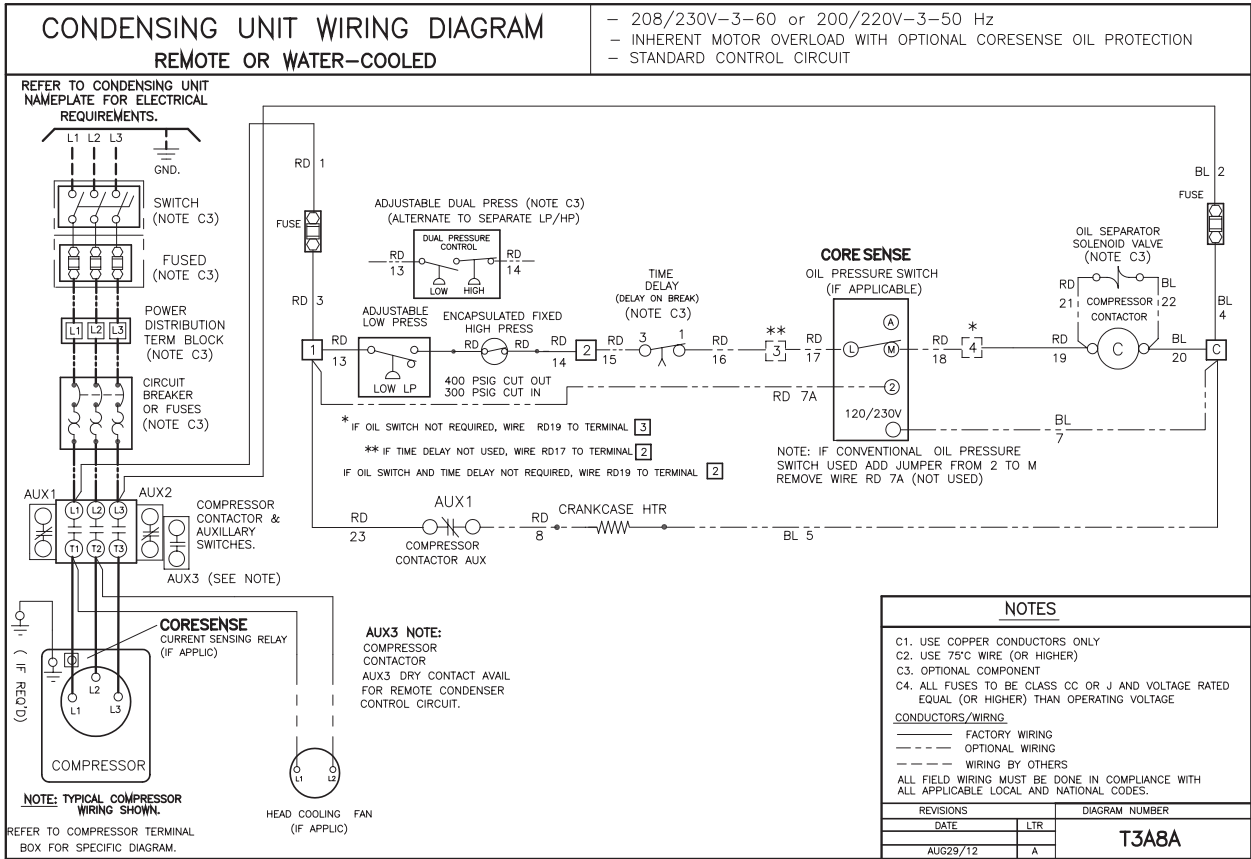
TYPICAL EVAPORATOR WIRING: FOR SINGLE LOW PROFILE ELECT 1 PHASE DEFROST EVAPORATOR- SINGLE POINT

FOR USE WITH: 230V SINGLE OR THREE PHASE CONDENSING UNITS WITH DEFROST TIME CLOCK, WITHOUT DEFROST HEATER CONTACTOR MAX DEFROST HEATER AMPS 10A



TYPICAL SYSTEM WIRING DIAGRAM

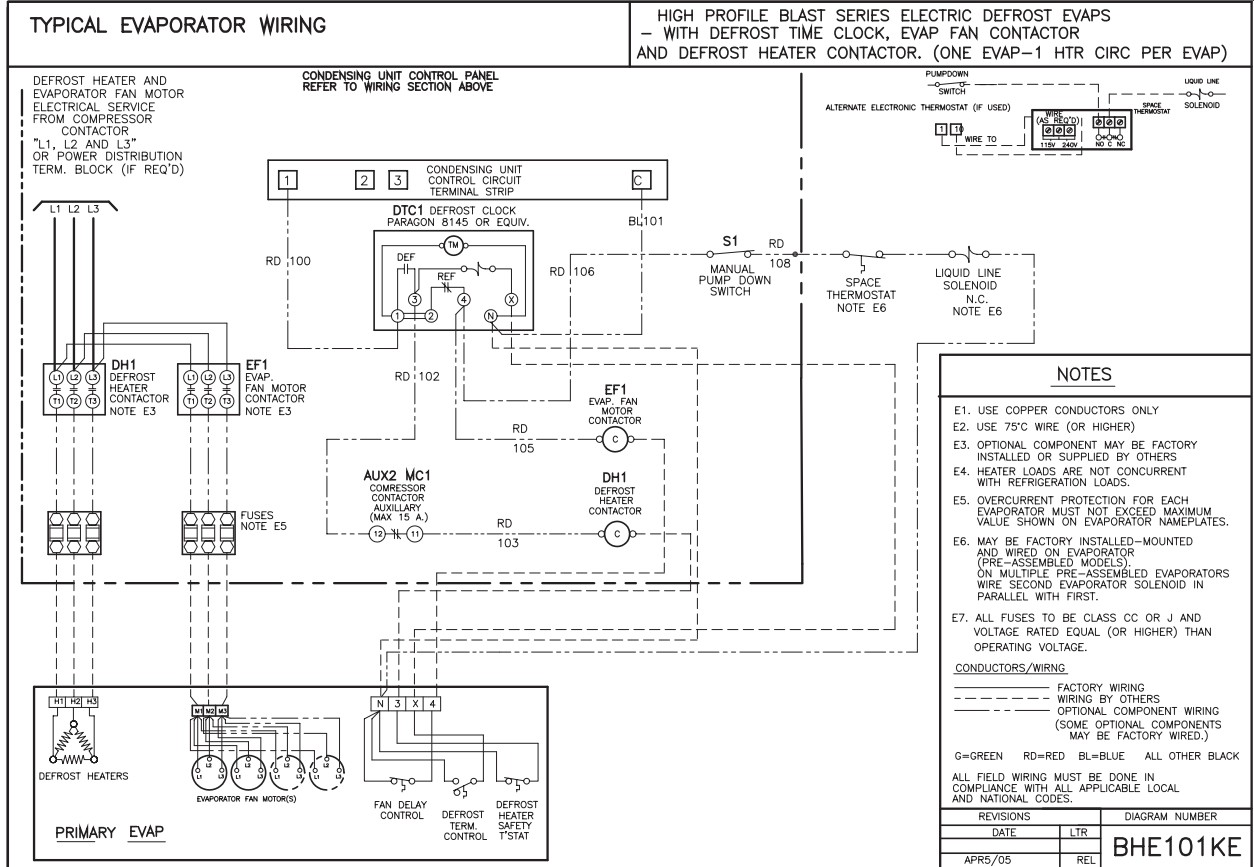
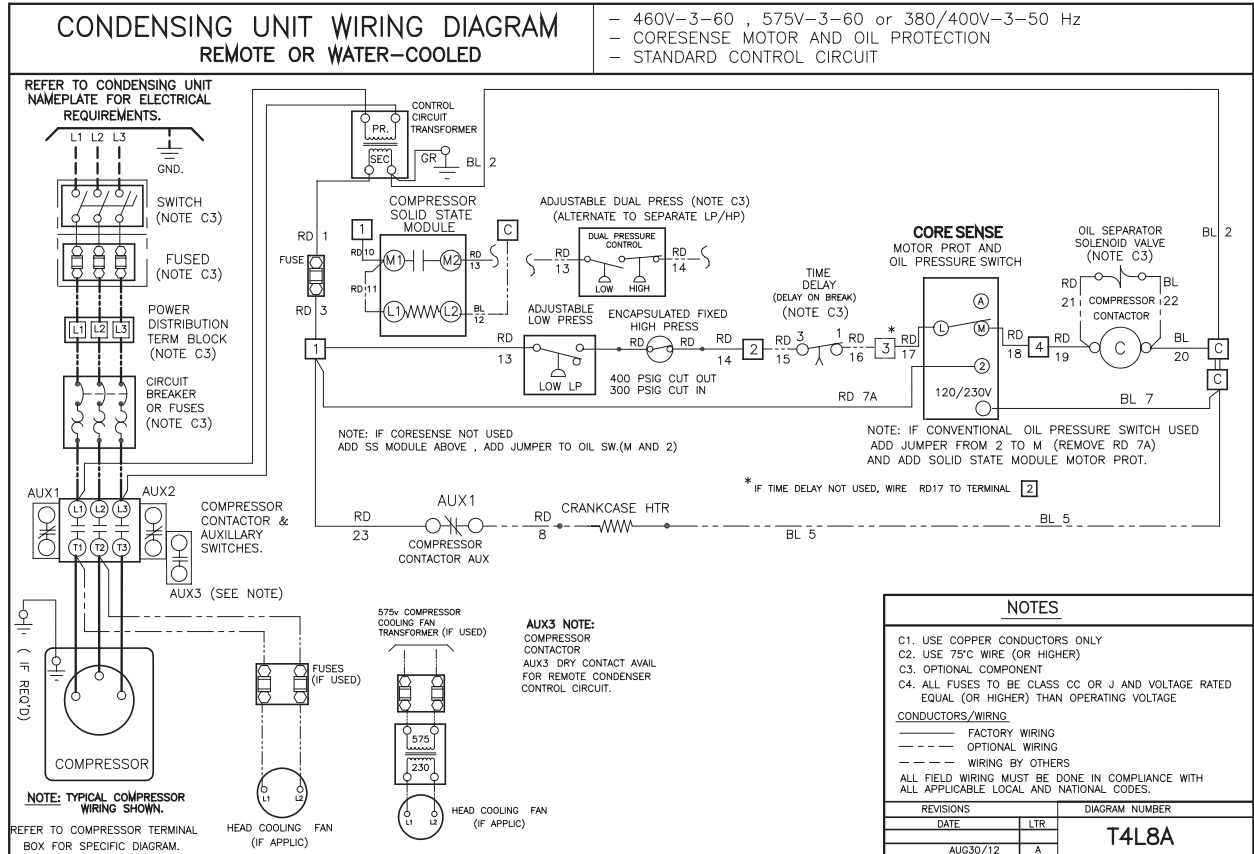
208-230/3/60 Unit with Medium Profile Air Defrost Evaporator



TYPICAL SYSTEM WIRING DIAGRAM

460/3/60 or 575/3/60 Unit

with High Profile Electric Defrost Evaporator



System	
Model Number	Date of Start-Up
Serial Number	Service Contractor
Refrigerant	Phone
Electrical Supply	E-mail



PRODUCT SUPPORT

web: t-rp.com/r
email: rcu-wccu@t-rp.com
call: 1-844-893-3222 x523



TROUBLESHOOTING

email: troubleshooting@t-rp.com
call: 1-844-893-3222 x529




SERVICE PARTS

web: t-rp.com/parts
email: parts@t-rp.com
call: 1-844-893-3222 x501




WARRANTY

web: t-rp.com/warranty
email: warranty@t-rp.com
call: 1-844-893-3222 x501



ORDERS

email: orders@t-rp.com
call: 1-844-893-3222 x501



SHIPPING

email: shipping@t-rp.com
call: 1-844-893-3222 x503



®

NATIONAL REFRIGERATION &
 AIR CONDITIONING CANADA CORP.
 159 Roy Blvd.
 Brantford Ontario Canada N3R 7K1
 PHONE: (519) 751-0444 800-463-9517
 FAX (519) 753-1140 www.t-rp.com

