



PRODUCT DATA & SPECIFICATIONS

Bulletin T40-TEH-PDS-10
Part # 1087388

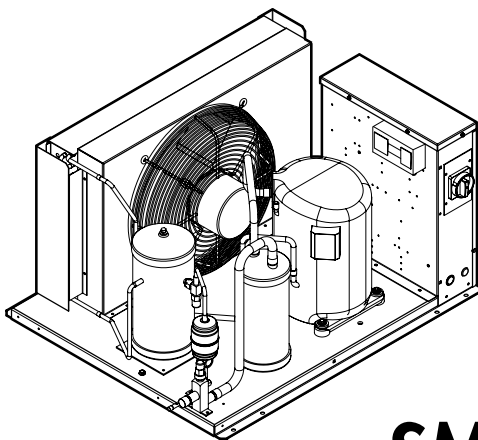
TEH-Line Condensing Units

**60
Hz**

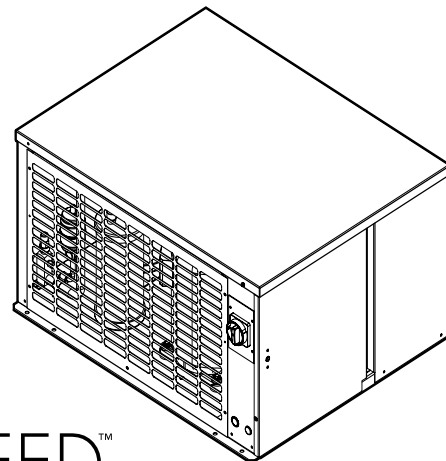
Indoor/Outdoor
Air-Cooled Hermetic
Condensing Units
1 to 7.5 HP -
High, Medium and Low
Temperature Refrigeration

PRODUCT SUPPORT
 web: t-rp.com/teh
 email: smcu@t-rp.com
 call: 1-844-893-3222 x521

scan:



Indoor Unit



Outdoor Unit

SMARTSPEED™

FAN MOTOR TECHNOLOGY

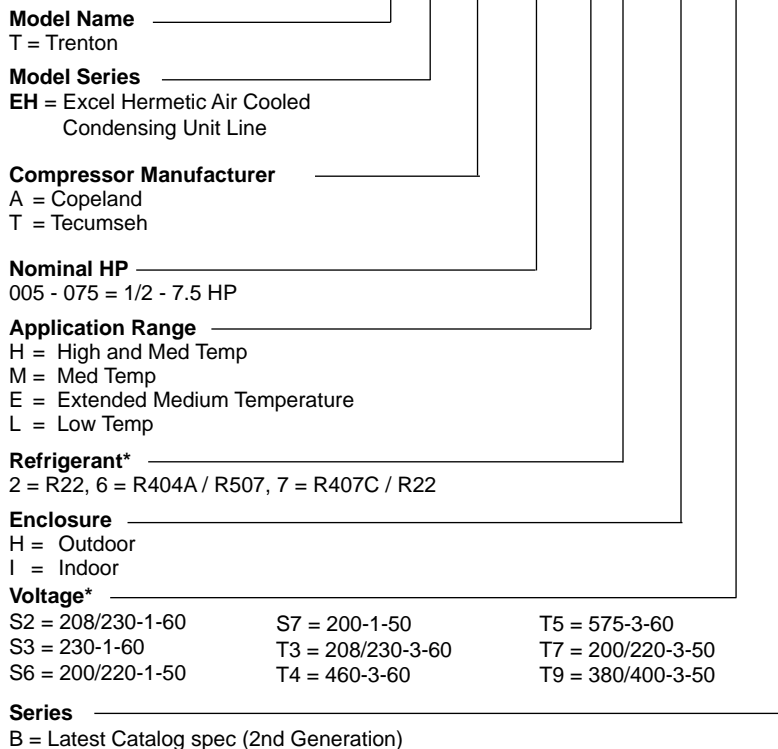
See Page 4 for details

CONTENTS

	Page
Nomenclature.....	2
Features and Options.....	2 - 3
SMARTSPEED™ Fan Motor Technology	4
Capacity Data (Imperial and <i>Metric</i>).....	5 - 17
Electrical Data.....	18 - 21
Dimensional Data.....	22 - 25
Annual Walk-In Energy Factor (AWEF) Ratings.....	26 - 27
Specifications.....	26 - 27
Wiring Diagrams.....	28 - 32
Wiring Diagrams - Models with SMARTSPEED™	33
Project Information.....	35
Product Support Resources.....	BACK

NOMENCLATURE

T E H A 020 E 6 - H T4 B - A



Optional Feature Packages (Factory Mounted)

- A = Standard Features (see below)
- B = Standard Features (see below)
Plus Sealed Liquid Line Filter Drier and Sight Glass
- C = Standard Features (see below)
Plus Sealed Liquid Line Filter Drier and Sight Glass
Plus Suction Accumulator
Plus Electric Defrost Kit
- D = Standard Features (see below)
Plus Sealed Liquid Line Filter Drier and Sight Glass
Plus Heated and Insulated Receiver
- E = Standard Features (see below)
Plus Sealed Liquid Line Filter Drier and Sight Glass
Plus Heated and Insulated Receiver
Plus Suction Accumulator
Plus Electric Defrost Kit
- F = Standard Features (see below)
Plus Sealed liquid line filter drier and sight glass
Plus Electric Defrost Kit
- G = Standard Features (see below)
Plus Sealed liquid line filter drier and sight glass
Plus Electric Defrost Kit
Plus Heated and insulated receiver
- H = Standard Features (see below)
Plus Sealed Liquid Line Filter Drier and Sight Glass
Plus Timeclock
- J = Standard Features (see below)
Plus Sealed Liquid Line Filter Drier and Sight Glass
Plus Heated and insulated receiver
Plus Suction Accumulator

* subject to compressor availability

STANDARD FEATURES

Indoor Unit:

- Weatherproof electrical control box with compressor contactor and fused control circuit
- Welded-hermetic compressor (Copeland or Tecumseh)
- High efficiency enhanced tube and fin condenser design
- Pre-formed piping
- Quiet fan motor operation
- Energy efficient PSC condenser fan motor
- Electrical control panel away from air flow stream
- Wide-open front design, spring latches and handle on 5Hp MT & HT or larger
- Unit leak tested and shipped with helium holding charge
- Galvanized cabinet
- QuickVac Evacuation and Refrigerant Recovery Valves

- Receiver with fusible plug and liquid shut off valve
- Suction service valve
- Copper tubing secured with cushion clamps
- Fixed high and low pressure control

Outdoor Unit: All Standard Features of Indoor Unit, Plus:

- Outdoor painted weather-resistant housing with removable hood
- Flooded head pressure control (non adjustable)
- Crankcase heater

OPTIONAL FEATURE PACKAGES (Factory Mounted)

Package A:

- Standard Features (see pg. 2)

Package B:

- Standard Features (see pg. 2)
- *Plus* Sealed Liquid Line Filter Drier & Sight Glass

Package C:

- Standard Features (see pg. 2)
- *Plus* Sealed Liquid Line Filter Drier & Sight Glass
- *Plus* Suction Accumulator
- *Plus* Electric Defrost Kit

Package D:

- Standard Features (see pg. 2)
- *Plus* Sealed Liquid Line Filter Drier & Sight Glass
- *Plus* Heated and Insulated Receiver

Package E:

- Standard Features (see pg. 2)
- *Plus* Sealed Liquid Line Filter Drier & Sight Glass
- *Plus* Heated and Insulated Receiver
- *Plus* Suction Accumulator
- *Plus* Electric Defrost Kit

Package F:

- Standard Features (see pg. 2)
- *Plus* Sealed liquid line filter drier and sight glass
- *Plus* Electric Defrost Kit

Package G:

- Standard Features (see pg. 2)
- *Plus* Sealed liquid line filter drier and sight glass
- *Plus* Electric Defrost Kit
- *Plus* Heated and insulated receiver

Package H:

- Standard Features (see pg. 2)
- *Plus* Sealed Liquid Line Filter Drier and Sight Glass
- *Plus* Timeclock

Package J:

- Standard Features (see pg. 2)
- *Plus* Sealed Liquid Line Filter Drier and Sight Glass
- *Plus* Heated and insulated receiver
- *Plus* Suction Accumulator

AVAILABLE OPTIONS

- Sealed suction filter
- Suction accumulator
- Suction accumulator with boil-out coil
- Heated and insulated receiver
- Sealed liquid line filter drier and sight glass
- Liquid line solenoid valve with 230-volt coil (shipped loose)
- Compressor circuit breaker
- Compressor time delay relay
- Adjustable low pressure control with flex hose
- Variable speed EC motors only as head pressure control (see Bulletin T40-HPC-AG for details)
- Painted cabinet
- **SmartSpeed Fan Motor Technology (see page 4)**
- Pump down toggle switch
- Electric defrost kit with mechanical time clock and contactors, as required
- Hoffman variable fan speed control
- Lockout control circuit relay (for liquid solenoid valve)
- Disconnect switch (fused or non-fused)
- Electronic phase / voltage monitor
- Leg kit or air discharge hood

US Patent No.
9,297,567

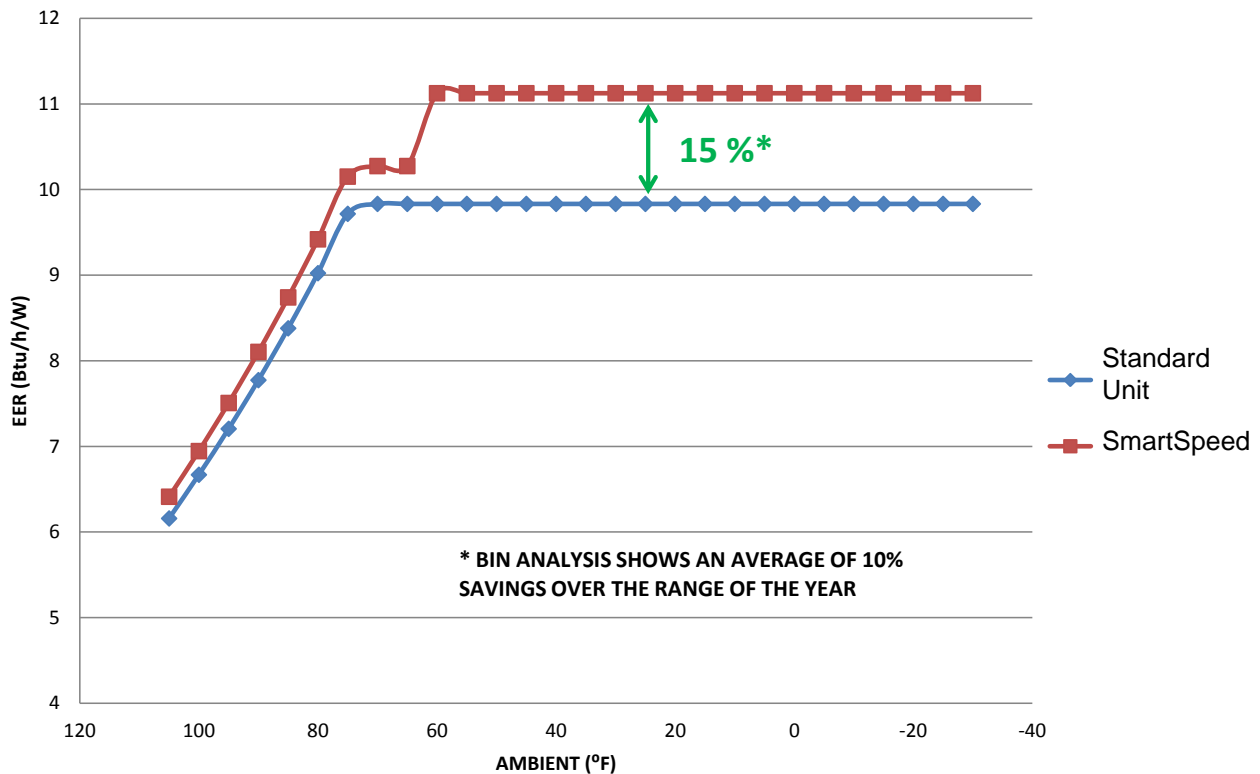
DESIGN FEATURES



• Available on 1/2 - 5 HP
Hermetic, Scroll or Semi-Hermetic Condensing Units

- No special controls required. No worries about wind or cold climates.
- Ambients above 60°F - EC motor operates at full speed, crankcase heater and heated + insulated receiver disabled from control circuit
- Ambients below 60°F - EC motor operates at low speed, crankcase heater and heated + insulated receiver enabled from control circuit

Condensing Unit EER - Standard Unit vs. SmartSpeed



**Refer to
Page 39
For Wiring
Details**

Condensing Unit with SmartSpeed Power Consumption Per Motor		
Chassis Size (see pages 29-30)	Ambients above 60°F. Fan Full Speed. Crackcase and Receiver Heaters Off.	Ambients below 60°F. Fan Low Speed. Crackcase and Receiver Heaters On.
A	102 W	19 W
B	168 W	37 W
C	362 W	76 W

CAPACITY DATA - R407C
HIGH / MEDIUM TEMPERATURE

MODEL TEH	SATURATED SUCTION TEMPERATURE		CAPACITY BTU/H (WATTS) R407C AMBIENT TEMPERATURE °F (°C)							
	° F	° C	80 (26.6)	85 (29.4)	90 (32.2)	95 (35.0)	100 (37.8)	105 (40.6)	110 (43.3)	
TEHA005H7 Compressor Model RST45C1E	45 (7.2)		9960 (2920)	9600 (2810)	9210 (2700)	8830 (2590)	8450 (2480)	8070 (2370)	7700 (2260)	
	40 (4.4)		9040 (2650)	8680 (2540)	8350 (2450)	8000 (2340)	7670 (2250)	7320 (2150)	6980 (2050)	
	35 (1.7)		8150 (2390)	7840 (2300)	7530 (2210)	7210 (2110)	6900 (2020)	6590 (1930)	6290 (1840)	
	30 (-1.1)		7310 (2140)	7040 (2060)	6750 (1980)	6470 (1900)	6180 (1810)	5910 (1730)	5640 (1650)	
	25 (-3.9)		6530 (1910)	6270 (1840)	6020 (1760)	5760 (1690)	5510 (1610)	5260 (1540)	5020 (1470)	
	20 (-6.7)		5800 (1700)	5570 (1630)	5330 (1560)	5110 (1500)	4880 (1430)	4660 (1370)	4430 (1300)	
	15 (-9.4)		5120 (1500)	4920 (1440)	4710 (1380)	4500 (1320)	4320 (1270)	4110 (1200)	3910 (1150)	
10 (-12.2)		4530 (1330)	4340 (1270)	4150 (1220)	3960 (1160)	3780 (1110)	3590 (1050)	3420 (1000)		
TEHA008H7 Compressor Model RST55C1E	45 (7.2)		11700 (3430)	11200 (3280)	10800 (3170)	10320 (3020)	9870 (2890)	9410 (2760)	8950 (2620)	
	40 (4.4)		10600 (3110)	10190 (2990)	9780 (2870)	9360 (2740)	8960 (2630)	8540 (2500)	8110 (2380)	
	35 (1.7)		9570 (2800)	9210 (2700)	8840 (2590)	8460 (2480)	8100 (2370)	7710 (2260)	7320 (2150)	
	30 (-1.1)		8620 (2530)	8300 (2430)	7960 (2330)	7620 (2230)	7280 (2130)	6930 (2030)	6590 (1930)	
	25 (-3.9)		7730 (2270)	7430 (2180)	7130 (2090)	6840 (2000)	6530 (1910)	6220 (1820)	5910 (1730)	
	20 (-6.7)		6890 (2020)	6630 (1940)	6360 (1860)	6100 (1790)	5820 (1710)	5540 (1620)	5270 (1540)	
	15 (-9.4)		6120 (1790)	5890 (1730)	5650 (1660)	5420 (1590)	5170 (1520)	4920 (1440)	4680 (1370)	
10 (-12.2)		5410 (1590)	5200 (1520)	4990 (1460)	4780 (1400)	4570 (1340)	4350 (1270)	4140 (1210)		
TEHA010H7 Compressor Model RST70C1E	45 (7.2)		15200 (4450)	14700 (4310)	14100 (4130)	13500 (3960)	12900 (3780)	12400 (3630)	11800 (3460)	
	40 (4.4)		13900 (4070)	13300 (3900)	12800 (3750)	12300 (3600)	11800 (3460)	11200 (3280)	10700 (3140)	
	35 (1.7)		12500 (3660)	12100 (3550)	11700 (3430)	11100 (3250)	10700 (3140)	10190 (2990)	9690 (2840)	
	30 (-1.1)		11300 (3310)	10900 (3190)	10500 (3080)	10070 (2950)	9650 (2830)	9210 (2700)	8770 (2570)	
	25 (-3.9)		10200 (2990)	9830 (2880)	9450 (2770)	9060 (2660)	8680 (2540)	8300 (2430)	7900 (2320)	
	20 (-6.7)		9160 (2680)	8810 (2580)	8460 (2480)	8140 (2390)	7780 (2280)	7440 (2180)	7080 (2070)	
	15 (-9.4)		8170 (2390)	7880 (2310)	7560 (2220)	7260 (2130)	6950 (2040)	6640 (1950)	6320 (1850)	
10 (-12.2)		7270 (2130)	6990 (2050)	6710 (1970)	6440 (1890)	6150 (1800)	5880 (1720)	5590 (1640)		
TEHA015H7 Compressor Model CR18K6E *	45 (7.2)		21000 (6150)	20300 (5950)	19600 (5740)	18900 (5540)	18300 (5360)	17500 (5130)	16900 (4950)	
	40 (4.4)		19000 (5570)	18400 (5390)	17700 (5190)	17100 (5010)	16500 (4840)	15900 (4660)	15100 (4430)	
	35 (1.7)		17100 (5010)	16600 (4860)	16000 (4690)	15300 (4480)	14800 (4340)	14200 (4160)	13500 (3960)	
	30 (-1.1)		15300 (4480)	14800 (4340)	14300 (4190)	13800 (4040)	13100 (3840)	12600 (3690)	12000 (3520)	
	25 (-3.9)		13800 (4040)	13200 (3870)	12700 (3720)	12200 (3580)	11700 (3430)	11100 (3250)	10600 (3110)	
	20 (-6.7)		12200 (3580)	11700 (3430)	11200 (3280)	10700 (3140)	10220 (3000)	9730 (2850)	9240 (2710)	
	15 (-9.4)		10600 (3110)	10220 (3000)	9780 (2870)	9320 (2730)	8870 (2600)	8410 (2460)	7950 (2330)	
10 (-12.2)		9250 (2710)	8840 (2590)	8430 (2470)	8010 (2350)	7580 (2220)	7150 (2100)	6740 (1980)		
TEHA020H7 Compressor Model CR24K6E *	45 (7.2)		26300 (7710)	25400 (7440)	24500 (7180)	23600 (6920)	22800 (6680)	21800 (6390)	21000 (6150)	
	40 (4.4)		23800 (6980)	23000 (6740)	22200 (6510)	21300 (6240)	20600 (6040)	19700 (5770)	18900 (5540)	
	35 (1.7)		21500 (6300)	20800 (6100)	20000 (5860)	19200 (5630)	18500 (5420)	17600 (5160)	16900 (4950)	
	30 (-1.1)		19300 (5660)	18600 (5450)	18000 (5280)	17200 (5040)	16500 (4840)	15800 (4630)	15000 (4400)	
	25 (-3.9)		17200 (5040)	16600 (4860)	16000 (4690)	15300 (4480)	14600 (4280)	14000 (4100)	13200 (3870)	
	20 (-6.7)		15300 (4480)	14700 (4310)	14100 (4130)	13400 (3930)	12800 (3750)	12200 (3580)	11600 (3400)	
	15 (-9.4)		13400 (3930)	12900 (3780)	12300 (3600)	11800 (3460)	11100 (3250)	10600 (3110)	9990 (2930)	
10 (-12.2)		11700 (3430)	11100 (3250)	10600 (3110)	10090 (2960)	9540 (2800)	9010 (2640)	8460 (2480)		
TEHA025H7 Compressor Model CR32K6E *	45 (7.2)		34300 (10050)	33200 (9730)	32000 (9380)	30900 (9060)	29700 (8700)	28600 (8380)	27400 (8030)	
	40 (4.4)		31200 (9140)	30100 (8820)	29100 (8530)	27900 (8180)	26900 (7880)	25800 (7560)	24700 (7240)	
	35 (1.7)		28100 (8240)	27200 (7970)	26100 (7650)	25200 (7390)	24200 (7090)	23100 (6770)	22200 (6510)	
	30 (-1.1)		25300 (7410)	24500 (7180)	23500 (6890)	22600 (6620)	21600 (6330)	20600 (6040)	19600 (5740)	
	25 (-3.9)		22700 (6650)	21800 (6390)	20900 (6130)	20100 (5890)	19100 (5600)	18300 (5360)	17300 (5070)	
	20 (-6.7)		20100 (5890)	19300 (5660)	18500 (5420)	17600 (5160)	16800 (4920)	16000 (4690)	15200 (4450)	
	15 (-9.4)		17600 (5160)	16900 (4950)	16200 (4750)	15400 (4510)	14600 (4280)	13900 (4070)	13100 (3840)	
10 (-12.2)		15300 (4480)	14700 (4310)	14000 (4100)	13200 (3870)	12500 (3660)	11900 (3490)	11100 (3250)		

NOTES: - Above ratings are based on mean temperature. - To convert to dew point ratings, use 0.95 multiplier.

* Not suitable for R448A

table continues on next page >>>

CAPACITY DATA - **R407C**

HIGH / MEDIUM TEMPERATURE (cont'd)

MODEL TEH	SATURATED SUCTION TEMPERATURE °F °C	CAPACITY BTU/H (WATTS) R407C AMBIENT TEMPERATURE °F (°C)							
		80 (26.6)	85 (29.4)	90 (32.2)	95 (35.0)	100 (37.8)	105 (40.6)	110 (43.3)	
TEHA029H7 Compressor Model CR38K6E *	45 (7.2)	39700 (11630)	38000 (11140)	36400 (10670)	34800 (10200)	33100 (9700)	31400 (9200)	29700 (8700)	
	40 (4.4)	36000 (10550)	34400 (10080)	32900 (9640)	31400 (9200)	29800 (8730)	28100 (8240)	26600 (7800)	
	35 (1.7)	32400 (9500)	31000 (9090)	29600 (8670)	28100 (8240)	26600 (7800)	25100 (7360)	23600 (6920)	
	30 (-1.1)	29100 (8530)	27700 (8120)	26400 (7740)	25000 (7330)	23600 (6920)	22300 (6540)	20900 (6130)	
	25 (-3.9)	25900 (7590)	24700 (7240)	23400 (6860)	22100 (6480)	20800 (6100)	19500 (5710)	18200 (5330)	
	20 (-6.7)	22900 (6710)	21700 (6360)	20500 (6010)	19300 (5660)	18100 (5300)	16900 (4950)	15600 (4570)	
	15 (-9.4)	20000 (5860)	18900 (5540)	17700 (5190)	16700 (4890)	15500 (4540)	14400 (4220)	13300 (3900)	
10 (-12.2)	17200 (5040)	16200 (4750)	15100 (4430)	14100 (4130)	13000 (3810)	12000 (3520)	10900 (3190)		
TEHA030H7 Compressor Model CR38K6E *	45 (7.2)	44100 (12920)	42400 (12430)	40700 (11930)	39000 (11430)	37200 (10900)	35400 (10370)	33500 (9820)	
	40 (4.4)	39700 (11630)	38100 (11170)	36500 (10700)	34900 (10230)	33200 (9730)	31500 (9230)	29800 (8730)	
	35 (1.7)	35500 (10400)	34100 (9990)	32600 (9550)	31100 (9110)	29500 (8650)	27900 (8180)	26400 (7740)	
	30 (-1.1)	31700 (9290)	30300 (8880)	29000 (8500)	27500 (8060)	26000 (7620)	24600 (7210)	23100 (6770)	
	25 (-3.9)	28000 (8210)	26800 (7850)	25500 (7470)	24300 (7120)	22900 (6710)	21500 (6300)	20200 (5920)	
	20 (-6.7)	24700 (7240)	23500 (6890)	22400 (6560)	21100 (6180)	19800 (5800)	18600 (5450)	17300 (5070)	
	15 (-9.4)	21500 (6300)	20500 (6010)	19300 (5660)	18200 (5330)	17000 (4980)	15800 (4630)	14600 (4280)	
10 (-12.2)	18500 (5420)	17500 (5130)	16500 (4840)	15300 (4480)	14300 (4190)	13100 (3840)	12100 (3550)		
TEHA035H7 Compressor Model CR42K6E *	45 (7.2)	48000 (14070)	46200 (13540)	44200 (12950)	42300 (12400)	40300 (11810)	38200 (11200)	36200 (10610)	
	40 (4.4)	43300 (12690)	41500 (12160)	39700 (11630)	37900 (11110)	36000 (10550)	34100 (9990)	32200 (9440)	
	35 (1.7)	38700 (11340)	37200 (10900)	35500 (10400)	33800 (9910)	32000 (9380)	30200 (8850)	28500 (8350)	
	30 (-1.1)	34500 (10110)	33100 (9700)	31500 (9230)	29900 (8760)	28200 (8260)	26700 (7820)	25000 (7330)	
	25 (-3.9)	30700 (9000)	29300 (8590)	27800 (8150)	26400 (7740)	24800 (7270)	23300 (6830)	21700 (6360)	
	20 (-6.7)	27000 (7910)	25700 (7530)	24400 (7150)	23000 (6740)	21500 (6300)	20100 (5890)	18700 (5480)	
	15 (-9.4)	23500 (6890)	22400 (6560)	21000 (6150)	19700 (5770)	18400 (5390)	17100 (5010)	15800 (4630)	
10 (-12.2)	20300 (5950)	19100 (5600)	18000 (5280)	16700 (4890)	15400 (4510)	14200 (4160)	12900 (3780)		
TEHA040H7 Compressor Model CR53KQE *	45 (7.2)	59200 (17350)	56900 (16680)	54400 (15940)	52000 (15240)	49500 (14510)	46900 (13740)	44400 (13010)	
	40 (4.4)	53700 (15740)	51300 (15030)	49000 (14360)	46700 (13690)	44400 (13010)	42000 (12310)	39600 (11610)	
	35 (1.7)	48300 (14160)	46100 (13510)	44000 (12900)	41800 (12250)	39600 (11610)	37400 (10960)	35200 (10320)	
	30 (-1.1)	43200 (12660)	41300 (12100)	39200 (11490)	37200 (10900)	35100 (10290)	33000 (9670)	31000 (9090)	
	25 (-3.9)	38400 (11250)	36500 (10700)	34700 (10170)	32800 (9610)	30900 (9060)	28900 (8470)	27000 (7910)	
	20 (-6.7)	33900 (9940)	32100 (9410)	30500 (8940)	28700 (8410)	26800 (7850)	25000 (7330)	23200 (6800)	
	15 (-9.4)	29600 (8670)	27900 (8180)	26400 (7740)	24700 (7240)	23000 (6740)	21300 (6240)	19600 (5740)	
10 (-12.2)	25500 (7470)	23900 (7000)	22500 (6590)	20900 (6130)	19300 (5660)	17700 (5190)	16200 (4750)		
TEHA050H7 Compressor Model CRNQ-050E *	45 (7.2)	73100 (21420)	70100 (20540)	67100 (19660)	64100 (18790)	61000 (17880)	58000 (17000)	54900 (16090)	
	40 (4.4)	66700 (19550)	63800 (18700)	61000 (17880)	58200 (17060)	55300 (16210)	52500 (15390)	49700 (14570)	
	35 (1.7)	60400 (17700)	57800 (16940)	55100 (16150)	52500 (15390)	49900 (14620)	47300 (13860)	44700 (13100)	
	30 (-1.1)	54400 (15940)	52000 (15240)	49600 (14540)	47000 (13770)	44600 (13070)	42300 (12400)	39900 (11690)	
	25 (-3.9)	48600 (14240)	46400 (13600)	44200 (12950)	41900 (12280)	39700 (11630)	37500 (10990)	35400 (10370)	
	20 (-6.7)	43300 (12690)	41200 (12070)	39100 (11460)	37100 (10870)	35000 (10260)	33000 (9670)	31100 (9110)	
	15 (-9.4)	38100 (11170)	36200 (10610)	34300 (10050)	32400 (9500)	30600 (8970)	28800 (8440)	27000 (7910)	
10 (-12.2)	33400 (9790)	31600 (9260)	29800 (8730)	28100 (8240)	26500 (7770)	24800 (7270)	23200 (6800)		

NOTES: - Above ratings are based on mean temperature. - To convert to dew point ratings, use 0.95 multiplier.

* Not suitable for R448A

CAPACITY DATA - R404A R507
HIGH / MEDIUM TEMPERATURE

MODEL TEH	SATURATED SUCTION TEMPERATURE		CAPACITY BTU/H (WATTS) R404A R507 AMBIENT TEMPERATURE °F (°C)													
	° F	° C	80 (26.6)	85 (29.4)	90 (32.2)	95 (35.0)	100 (37.8)	105 (40.6)	110 (43.3)							
TEHA006E6 Compressor Model RST45C1E*	30 (-1.1)	7970 (2335)	7620 (2233)	7260 (2127)	6890 (2019)	6520 (1910)	6130 (1796)	5740 (1682)	30 (-1.1)	9400 (2754)	8930 (2616)	8450 (2476)	7990 (2341)	7520 (2203)	7060 (2069)	6600 (1934)
	25 (-3.9)	7290 (2136)	6970 (2042)	6650 (1948)	6310 (1849)	5960 (1746)	5620 (1647)	5260 (1541)	25 (-3.9)	8650 (2534)	8210 (2406)	7770 (2277)	7340 (2151)	6900 (2022)	6470 (1896)	6050 (1773)
	20 (-6.7)	6650 (1948)	6350 (1861)	6060 (1776)	5750 (1685)	5450 (1597)	5120 (1500)	4810 (1409)	20 (-6.7)	7930 (2323)	7520 (2203)	7110 (2083)	6700 (1963)	6300 (1846)	5900 (1729)	5500 (1612)
	15 (-9.4)	6040 (1770)	5780 (1694)	5500 (1612)	5230 (1532)	4950 (1450)	4660 (1365)	4370 (1280)	15 (-9.4)	7220 (2115)	6850 (2007)	6470 (1896)	6090 (1784)	5720 (1676)	5360 (1570)	4990 (1462)
	10 (-12.2)	5450 (1597)	5220 (1529)	4970 (1456)	4730 (1386)	4470 (1310)	4210 (1234)	3950 (1157)	10 (-12.2)	6550 (1919)	6210 (1820)	5860 (1717)	5510 (1614)	5170 (1515)	4830 (1415)	4490 (1316)
	5 (-15.0)	4890 (1433)	4680 (1371)	4460 (1307)	4240 (1242)	4010 (1175)	3780 (1108)	3540 (1037)	5 (-15.0)	5910 (1732)	5600 (1641)	5270 (1544)	4960 (1453)	4640 (1360)	4330 (1269)	4020 (1178)
	0 (-17.8)	4370 (1280)	4170 (1222)	3970 (1163)	3770 (1105)	3570 (1046)	3350 (982)	3140 (920)	0 (-17.8)	5300 (1553)	5020 (1471)	4730 (1386)	4430 (1298)	4150 (1216)	3860 (1131)	3590 (1052)
	-5 (-20.6)	3670 (1075)	3510 (1028)	3340 (979)	3160 (926)	2980 (873)	2800 (820)	2620 (768)	-5 (-20.6)	4510 (1321)	4260 (1248)	4010 (1175)	3760 (1102)	3510 (1028)	3270 (958)	3030 (888)
	-10 (-23.3)	3210 (941)	3060 (897)	2900 (850)	2740 (803)	2580 (756)	2420 (709)	2260 (662)	-10 (-23.3)	4000 (1172)	3780 (1108)	3560 (1043)	3330 (976)	3110 (911)	2890 (847)	2680 (785)
	-15 (-26.1)	2760 (809)	2620 (768)	2480 (727)	2330 (683)	2190 (642)	2040 (598)	1890 (554)	-15 (-26.1)	3550 (1040)	3350 (982)	3150 (923)	2950 (864)	2750 (806)	2550 (747)	2360 (691)
-20 (-28.9)	2320 (680)	2190 (642)	2060 (604)	1920 (563)	1790 (524)	1660 (486)	1520 (445)	-20 (-28.9)	3140 (920)	2960 (867)	2780 (815)	2600 (762)	2430 (712)	2260 (662)	2090 (612)	
-25 (-31.7)	1890 (554)	1770 (519)	1640 (481)	1520 (445)	1390 (407)	1270 (372)	1150 (337)	-25 (-31.7)	2780 (815)	2620 (768)	2470 (724)	2310 (677)	2150 (630)	2000 (586)	1860 (545)	
TEHA008E6 Compressor Model RST55C1E*	30 (-1.1)	10800 (3164)	10300 (3018)	9830 (2880)	9320 (2731)	8810 (2581)	8280 (2426)	7760 (2274)	30 (-1.1)	10800 (3164)	10300 (3018)	9830 (2880)	9320 (2731)	8810 (2581)	8280 (2426)	7760 (2274)
	25 (-3.9)	10000 (2930)	9540 (2795)	9080 (2660)	8610 (2523)	8140 (2385)	7650 (2241)	7160 (2098)	25 (-3.9)	10000 (2930)	9540 (2795)	9080 (2660)	8610 (2523)	8140 (2385)	7650 (2241)	7160 (2098)
	20 (-6.7)	9190 (2693)	8770 (2570)	8340 (2444)	7910 (2318)	7480 (2192)	7040 (2063)	6580 (1928)	20 (-6.7)	9190 (2693)	8770 (2570)	8340 (2444)	7910 (2318)	7480 (2192)	7040 (2063)	6580 (1928)
	15 (-9.4)	8400 (2461)	8010 (2347)	7620 (2233)	7230 (2118)	6840 (2004)	6430 (1884)	6020 (1764)	15 (-9.4)	8400 (2461)	8010 (2347)	7620 (2233)	7230 (2118)	6840 (2004)	6430 (1884)	6020 (1764)
	10 (-12.2)	7640 (2239)	7290 (2136)	6930 (2030)	6570 (1925)	6210 (1820)	5840 (1711)	5470 (1603)	10 (-12.2)	7640 (2239)	7290 (2136)	6930 (2030)	6570 (1925)	6210 (1820)	5840 (1711)	5470 (1603)
	5 (-15.0)	6920 (2028)	6590 (1931)	6270 (1837)	5940 (1740)	5610 (1644)	5270 (1544)	4950 (1450)	5 (-15.0)	6920 (2028)	6590 (1931)	6270 (1837)	5940 (1740)	5610 (1644)	5270 (1544)	4950 (1450)
	0 (-17.8)	6230 (1825)	5930 (1737)	5640 (1653)	5330 (1562)	5040 (1477)	4740 (1389)	4430 (1298)	0 (-17.8)	6230 (1825)	5930 (1737)	5640 (1653)	5330 (1562)	5040 (1477)	4740 (1389)	4430 (1298)
	-5 (-20.6)	5310 (1556)	5050 (1480)	4790 (1403)	4540 (1330)	4280 (1254)	4020 (1178)	3770 (1105)	-5 (-20.6)	5310 (1556)	5050 (1480)	4790 (1403)	4540 (1330)	4280 (1254)	4020 (1178)	3770 (1105)
	-10 (-23.3)	4720 (1383)	4490 (1316)	4260 (1248)	4030 (1181)	3790 (1110)	3570 (1046)	3340 (979)	-10 (-23.3)	4720 (1383)	4490 (1316)	4260 (1248)	4030 (1181)	3790 (1110)	3570 (1046)	3340 (979)
	-15 (-26.1)	4180 (1225)	3970 (1163)	3760 (1102)	3550 (1040)	3340 (979)	3140 (920)	2940 (861)	-15 (-26.1)	4180 (1225)	3970 (1163)	3760 (1102)	3550 (1040)	3340 (979)	3140 (920)	2940 (861)
-20 (-28.9)	3690 (1081)	3490 (1023)	3300 (967)	3110 (911)	2930 (858)	2750 (806)	2580 (756)	-20 (-28.9)	3690 (1081)	3490 (1023)	3300 (967)	3110 (911)	2930 (858)	2750 (806)	2580 (756)	
-25 (-31.7)	3240 (949)	3060 (897)	2890 (847)	2720 (797)	2560 (750)	2400 (703)	2250 (659)	-25 (-31.7)	3240 (949)	3060 (897)	2890 (847)	2720 (797)	2560 (750)	2400 (703)	2250 (659)	
TEHA010E6 Compressor Model RST70C1E	30 (-1.1)	11600 (3400)	11100 (3253)	10600 (3107)	10100 (2960)	9620 (2819)	9120 (2673)	8610 (2523)	30 (-1.1)	11600 (3400)	11100 (3253)	10600 (3107)	10100 (2960)	9620 (2819)	9120 (2673)	8610 (2523)
	25 (-3.9)	10700 (3136)	10200 (2989)	9790 (2869)	9350 (2740)	8880 (2602)	8430 (2471)	7960 (2333)	25 (-3.9)	10700 (3136)	10200 (2989)	9790 (2869)	9350 (2740)	8880 (2602)	8430 (2471)	7960 (2333)
	20 (-6.7)	9790 (2869)	9390 (2752)	8990 (2635)	8580 (2515)	8160 (2391)	7740 (2268)	7250 (2125)	20 (-6.7)	9790 (2869)	9390 (2752)	8990 (2635)	8580 (2515)	8160 (2391)	7740 (2268)	7250 (2125)
	15 (-9.4)	8940 (2620)	8580 (2515)	8200 (2403)	7770 (2277)	7390 (2166)	7000 (2051)	6600 (1934)	15 (-9.4)	8940 (2620)	8580 (2515)	8200 (2403)	7770 (2277)	7390 (2166)	7000 (2051)	6600 (1934)
	10 (-12.2)	8070 (2365)	7740 (2268)	7400 (2169)	7060 (2069)	6710 (1966)	6340 (1858)	5990 (1755)	10 (-12.2)	8070 (2365)	7740 (2268)	7400 (2169)	7060 (2069)	6710 (1966)	6340 (1858)	5990 (1755)
	5 (-15.0)	7280 (2134)	6970 (2043)	6670 (1955)	6350 (1861)	6030 (1767)	5700 (1670)	5380 (1577)	5 (-15.0)	7280 (2134)	6970 (2043)	6670 (1955)	6350 (1861)	6030 (1767)	5700 (1670)	5380 (1577)
	0 (-17.8)	6510 (1908)	6240 (1829)	5950 (1744)	5670 (1662)	5330 (1562)	5040 (1477)	4740 (1389)	0 (-17.8)	6510 (1908)	6240 (1829)	5950 (1744)	5670 (1662)	5330 (1562)	5040 (1477)	4740 (1389)
	-5 (-20.6)	5490 (1609)	5250 (1539)	5000 (1465)	4750 (1392)	4490 (1316)	4230 (1240)	3960 (1161)	-5 (-20.6)	5490 (1609)	5250 (1539)	5000 (1465)	4750 (1392)	4490 (1316)	4230 (1240)	3960 (1161)
	-10 (-23.3)	4840 (1418)	4620 (1354)	4390 (1287)	4160 (1219)	3930 (1152)	3690 (1081)	3440 (1008)	-10 (-23.3)	4840 (1418)	4620 (1354)	4390 (1287)	4160 (1219)	3930 (1152)	3690 (1081)	3440 (1008)
	-15 (-26.1)	4230 (1240)	4030 (1181)	3820 (1120)	3610 (1058)	3390 (994)	3180 (932)	2930 (859)	-15 (-26.1)	4230 (1240)	4030 (1181)	3820 (1120)	3610 (1058)	3390 (994)	3180 (932)	2930 (859)
-20 (-28.9)	3670 (1076)	3480 (1020)	3290 (964)	3080 (903)	2880 (844)	2670 (782)	2460 (721)	-20 (-28.9)	3670 (1076)	3480 (1020)	3290 (964)	3080 (903)	2880 (844)	2670 (782)	2460 (721)	
-25 (-31.7)	3150 (923)	2960 (867)	2780 (815)	2600 (762)	2420 (709)	2230 (654)	2030 (595)	-25 (-31.7)	3150 (923)	2960 (867)	2780 (815)	2600 (762)	2420 (709)	2230 (654)	2030 (595)	

--- Outside Operating Range † Max 40°F RGT * Not suitable for use with R-507

table continues on next page >>>

CAPACITY DATA - R404A R507
HIGH / MEDIUM TEMPERATURE (cont'd)

MODEL TEH	SATURATED SUCTION TEMPERATURE		CAPACITY BTU/H (WATTS) R404A R507 AMBIENT TEMPERATURE °F (°C)							
	° F	° C	80 (26.6)	85 (29.4)	90 (32.2)	95 (35.0)	100 (37.8)	105 (40.6)	110 (43.3)	
TEHA015E6 Compressor Model CS10K6E	30	(-1.1)	20200 (5920)	19000 (5569)	17900 (5246)	16700 (4894)	15600 (4572)	14400 (4220)	13300 (3898)	
	25	(-3.9)	18400 (5393)	17300 (5070)	16300 (4777)	15200 (4455)	14100 (4132)	13100 (3839)	12100 (3546)	
	20	(-6.7)	16600 (4865)	15700 (4601)	14700 (4308)	13700 (4015)	12700 (3722)	11800 (3458)	10800 (3165)	
	15	(-9.4)	14900 (4367)	14000 (4103)	13100 (3839)	12200 (3576)	11300 (3312)	10500 (3077)	9590 (2811)	
	10	(-12.2)	13200 (3869)	12400 (3634)	11600 (3400)	10800 (3165)	9990 (2928)	9180 (2691)	8380 (2456)	
	5	(-15.0)	11600 (3400)	10900 (3195)	10100 (2960)	9400 (2755)	8660 (2538)	7930 (2324)	7200 (2110)	
	0	(-17.8)	10100 (2960)	9400 (2755)	8730 (2559)	8060 (2362)	7390 (2166)	6730 (1972)	6070 (1779)	
	-5	(-20.6)	8180 (2397)	7600 (2227)	7030 (2060)	6460 (1893)	5596 (1640)	5320 (1559)	4741 (1389)	
	-10	(-23.3)	6888 (2019)	6375 (1868)	5852 (1715)	5349 (1568)	4826 (1414)	4313 (1264)	3791 (1111)	
	-15	(-26.1)	5710 (1673)	5244 (1537)	4788 (1403)	4332 (1270)	3857 (1130)	3392 (994)	2926 (858)	
-20	(-28.9)	4646 (1362)	4247 (1245)	3838 (1125)	3420 (1002)	3002 (880)	2575 (755)	2147 (629)		
-25	(-31.7)	3743 (1097)	3382 (991)	3012 (883)	2641 (774)	2261 (663)	1872 (549)	1482 (434)		
TEHA020E6 Compressor Model CS12K6E	30	(-1.1)	23000 (6741)	21800 (6389)	20500 (6008)	19300 (5657)	18100 (5305)	16800 (4924)	15600 (4572)	
	25	(-3.9)	20800 (6096)	19700 (5774)	18500 (5422)	17400 (5100)	16200 (4748)	15100 (4426)	13900 (4074)	
	20	(-6.7)	18800 (5510)	17700 (5188)	16600 (4865)	15600 (4572)	14500 (4250)	13500 (3957)	12400 (3634)	
	15	(-9.4)	16800 (4924)	15800 (4631)	14900 (4367)	13900 (4074)	12900 (3781)	11900 (3488)	11000 (3224)	
	10	(-12.2)	15000 (4396)	14100 (4132)	13200 (3869)	12300 (3605)	11400 (3341)	10500 (3077)	9610 (2817)	
	5	(-15.0)	13300 (3898)	12400 (3634)	11600 (3400)	10700 (3136)	9920 (2907)	9120 (2673)	8320 (2438)	
	0	(-17.8)	11600 (3400)	10800 (3165)	10100 (2960)	9300 (2726)	8560 (2509)	7830 (2295)	7110 (2084)	
	-5	(-20.6)	9595 (2812)	8864 (2598)	8199 (2403)	7543 (2211)	6907 (2024)	6270 (1838)	5653 (1657)	
	-10	(-23.3)	8170 (2394)	7524 (2205)	6907 (2024)	6308 (1849)	5729 (1679)	5159 (1512)	4608 (1350)	
	-15	(-26.1)	6840 (2005)	6242 (1829)	5672 (1662)	5121 (1501)	4598 (1348)	4095 (1200)	3601 (1055)	
-20	(-28.9)	5567 (1632)	5016 (1470)	4475 (1311)	3981 (1167)	3506 (1027)	3040 (891)	2613 (766)		
-25	(-31.7)	4351 (1275)	3819 (1119)	3335 (977)	2869 (841)	2432 (713)	2024 (593)	1644 (482)		
TEHA025E6 Compressor Model CS14K6E	30	(-1.1)	26400 (7737)	25000 (7327)	23500 (6887)	22100 (6477)	20700 (6067)	19200 (5627)	17800 (5217)	
	25	(-3.9)	24200 (7093)	22900 (6712)	21600 (6331)	20300 (5950)	19000 (5569)	17700 (5188)	16300 (4777)	
	20	(-6.7)	22100 (6477)	20900 (6125)	19700 (5774)	18500 (5422)	17300 (5070)	16100 (4719)	14900 (4367)	
	15	(-9.4)	20000 (5862)	18900 (5539)	17800 (5217)	16700 (4894)	15600 (4572)	14500 (4250)	13400 (3927)	
	10	(-12.2)	17900 (5246)	16900 (4953)	15900 (4660)	14900 (4367)	13900 (4074)	13000 (3810)	12000 (3517)	
	5	(-15.0)	15900 (4660)	15000 (4396)	14100 (4132)	13200 (3869)	12300 (3605)	11400 (3341)	10500 (3077)	
	0	(-17.8)	14000 (4103)	13200 (3869)	12400 (3634)	11600 (3400)	10800 (3165)	9950 (2916)	9160 (2685)	
	-5	(-20.6)	11495 (3369)	10830 (3174)	10165 (2979)	9481 (2779)	8797 (2578)	8123 (2381)	7448 (2183)	
	-10	(-23.3)	9880 (2896)	9301 (2726)	8683 (2545)	8066 (2364)	7467 (2188)	6859 (2010)	6261 (1835)	
	-15	(-26.1)	8417 (2467)	7866 (2305)	7325 (2147)	6774 (1985)	6232 (1826)	5700 (1671)	5168 (1515)	
-20	(-28.9)	7068 (2072)	6584 (1930)	6090 (1785)	5605 (1643)	5130 (1504)	4646 (1362)	4180 (1225)		
-25	(-31.7)	5900 (1729)	5453 (1598)	5016 (1470)	4579 (1342)	4161 (1220)	3734 (1094)	3316 (972)		
TEHA029E6 Compressor Model CS18K6E	30	(-1.1)	32200 (9437)	30400 (8910)	28600 (8382)	26800 (7855)	24900 (7298)	23100 (6770)	21300 (6243)	
	25	(-3.9)	29800 (8734)	28100 (8236)	26300 (7708)	24600 (7210)	23000 (6741)	21300 (6243)	19600 (5744)	
	20	(-6.7)	27200 (7972)	25600 (7503)	24100 (7063)	22500 (6594)	20900 (6125)	19400 (5686)	17800 (5217)	
	15	(-9.4)	24700 (7239)	23200 (6800)	21700 (6360)	20300 (5950)	18800 (5510)	17400 (5100)	16000 (4689)	
	10	(-12.2)	22100 (6477)	20800 (6096)	19400 (5686)	18100 (5305)	16800 (4924)	15500 (4543)	14200 (4162)	
	5	(-15.0)	19600 (5744)	18400 (5393)	17100 (5012)	15900 (4660)	14700 (4308)	13500 (3957)	12400 (3634)	
	0	(-17.8)	17200 (5041)	16100 (4719)	14900 (4367)	13800 (4045)	12700 (3722)	11700 (3429)	10600 (3107)	
	-5	(-20.6)	14060 (4121)	13110 (3842)	12160 (3564)	11210 (3285)	10355 (3035)	9405 (2756)	8541 (2503)	
	-10	(-23.3)	11970 (3508)	11115 (3258)	10260 (3007)	9462 (2773)	8645 (2534)	7857 (2303)	7106 (2083)	
	-15	(-26.1)	10070 (2951)	9358 (2743)	8607 (2523)	7866 (2305)	7163 (2099)	6489 (1902)	5833 (1710)	
-20	(-28.9)	8417 (2467)	7771 (2278)	7125 (2088)	6498 (1904)	5890 (1726)	5320 (1559)	4788 (1403)		
-25	(-31.7)	7002 (2052)	6451 (1891)	5909 (1732)	5377 (1576)	4874 (1428)	4408 (1292)	4000 (1172)		

--- Outside Operating Range † Max 40°F RGT * Not suitable for use with R-507

table continues on next page >>>

CAPACITY DATA - R404A R507

HIGH / MEDIUM TEMPERATURE (cont'd)

MODEL TEH	SATURATED SUCTION TEMPERATURE		CAPACITY BTU/H (WATTS) R404A R507 AMBIENT TEMPERATURE °F (°C)							
	° F	° C	80 (26.6)	85 (29.4)	90 (32.2)	95 (35.0)	100 (37.8)	105 (40.6)	110 (43.3)	
TEHA030E6 Compressor Model CS18K6E	30 (-1.1)		36200 (10610)	34300 (10053)	32300 (9467)	30300 (8880)	28300 (8294)	26300 (7708)	24400 (7151)	
	25 (-3.9)		33200 (9730)	31400 (9203)	29600 (8675)	27700 (8118)	25900 (7591)	24000 (7034)	22200 (6506)	
	20 (-6.7)		30200 (8851)	28500 (8353)	26800 (7855)	25100 (7356)	23400 (6858)	21700 (6360)	20000 (5862)	
	15 (-9.4)		27200 (7972)	25600 (7503)	24100 (7063)	22500 (6594)	20900 (6125)	19400 (5686)	17800 (5217)	
	10 (-12.2)		24200 (7093)	22800 (6682)	21400 (6272)	19900 (5832)	18500 (5422)	17100 (5012)	15700 (4601)	
	5 (-15.0)		21300 (6243)	20000 (5862)	18700 (5481)	17400 (5100)	16100 (4719)	14800 (4338)	13600 (3986)	
	0 (-17.8)		18500 (5422)	17400 (5100)	16200 (4748)	15000 (4396)	13800 (4045)	12700 (3722)	11600 (3400)	
	-5 (-20.6)		15105 (4427)	14155 (4149)	13110 (3842)	12160 (3564)	11115 (3258)	10165 (2979)	9215 (2701)	
	-10 (-23.3)		12825 (3759)	11875 (3480)	11020 (3230)	10165 (2979)	9263 (2715)	8417 (2467)	7610 (2230)	
	-15 (-26.1)		10735 (3146)	9975 (2924)	9149 (2681)	8379 (2456)	7619 (2233)	6897 (2021)	6204 (1818)	
	-20 (-28.9)		8864 (2598)	8199 (2403)	7534 (2208)	6859 (2010)	6223 (1824)	5605 (1643)	5035 (1476)	
-25 (-31.7)		7344 (2152)	6764 (1982)	6194 (1815)	5643 (1654)	5111 (1498)	4617 (1353)	4161 (1220)		
TEHA035E6 Compressor Model CS20K6E	30 (-1.1)		41700 (12222)	39300 (11518)	36900 (10815)	34600 (10141)	32200 (9437)	30000 (8792)	27800 (8148)	
	25 (-3.9)		37400 (10961)	35200 (10317)	33000 (9672)	30800 (9027)	28700 (8411)	26600 (7796)	24600 (7210)	
	20 (-6.7)		33400 (9789)	31400 (9203)	29400 (8617)	27400 (8030)	25500 (7474)	23600 (6917)	21700 (6360)	
	15 (-9.4)		29800 (8734)	27900 (8177)	26100 (7649)	24300 (7122)	22500 (6594)	20800 (6096)	19100 (5598)	
	10 (-12.2)		26500 (7767)	24800 (7268)	23100 (6770)	21500 (6301)	19900 (5832)	18300 (5363)	16700 (4894)	
	5 (-15.0)		23400 (6858)	21900 (6419)	20400 (5979)	18900 (5539)	17400 (5100)	16000 (4689)	14600 (4279)	
	0 (-17.8)		20600 (6038)	19300 (5657)	17900 (5246)	16500 (4836)	15200 (4455)	13900 (4074)	12600 (3693)	
	-5 (-20.6)		17195 (5040)	15960 (4678)	14820 (4343)	13680 (4009)	12445 (3647)	11305 (3313)	10260 (3007)	
	-10 (-23.3)		14915 (4371)	13775 (4037)	12730 (3731)	11685 (3425)	10640 (3118)	9595 (2812)	8541 (2503)	
	-15 (-26.1)		12730 (3731)	11780 (3453)	10830 (3174)	9785 (2868)	8835 (2589)	7857 (2303)	6897 (2021)	
	-20 (-28.9)		10640 (3118)	9785 (2868)	8854 (2595)	7961 (2333)	7049 (2066)	6137 (1799)	5216 (1529)	
-25 (-31.7)		8550 (2506)	7752 (2272)	6926 (2030)	6090 (1785)	5216 (1529)	4351 (1275)	3468 (1016)		
TEHA040E6 Compressor Model CS27K6E	30 (-1.1)		49100 (14390)	46700 (13687)	44200 (12954)	41700 (12222)	39300 (11518)	36800 (10785)	34400 (10082)	
	25 (-3.9)		44700 (13101)	42400 (12427)	40100 (11753)	37900 (11108)	35600 (10434)	33400 (9789)	31100 (9115)	
	20 (-6.7)		40400 (11841)	38300 (11225)	36200 (10610)	34200 (10023)	32100 (9408)	30100 (8822)	28000 (8206)	
	15 (-9.4)		36300 (10639)	34400 (10082)	32500 (9525)	30600 (8968)	28700 (8411)	26900 (7884)	25000 (7327)	
	10 (-12.2)		32300 (9467)	30600 (8968)	28900 (8470)	27200 (7972)	25600 (7503)	23900 (7005)	22200 (6506)	
	5 (-15.0)		28600 (8382)	27000 (7913)	25500 (7474)	24000 (7034)	22500 (6594)	21000 (6155)	19600 (5744)	
	0 (-17.8)		25000 (7327)	23700 (6946)	22400 (6565)	21000 (6155)	19700 (5774)	18400 (5393)	17100 (5012)	
	-5 (-20.6)		20700 (6067)	19600 (5744)	18500 (5422)	17400 (5100)	16300 (4777)	15200 (4455)	14100 (4132)	
	-10 (-23.3)		17800 (5217)	16800 (4924)	15900 (4660)	14900 (4367)	14000 (4103)	13100 (3839)	12100 (3546)	
	-15 (-26.1)		15100 (4426)	14300 (4191)	13500 (3957)	12700 (3722)	12000 (3517)	11200 (3283)	10400 (3048)	
	-20 (-28.9)		12700 (3722)	12000 (3517)	11400 (3341)	10800 (3165)	10100 (2960)	9500 (2784)	8840 (2591)	
-25 (-31.7)		10500 (3077)	10000 (2931)	9520 (2790)	9040 (2649)	8550 (2506)	8060 (2362)	7540 (2210)		
TEHA050E6 Compressor Model CS33K6E	30 (-1.1)		55800 (16354)	53100 (15563)	50300 (14742)	47600 (13951)	44900 (13159)	42200 (12368)	39500 (11577)	
	25 (-3.9)		51200 (15006)	48700 (14273)	46200 (13540)	43700 (12808)	41200 (12075)	38700 (11342)	36300 (10639)	
	20 (-6.7)		46600 (13658)	44300 (12984)	42000 (12309)	39800 (11665)	37500 (10991)	35300 (10346)	33100 (9701)	
	15 (-9.4)		42100 (12339)	40000 (11723)	38000 (11137)	35900 (10522)	33900 (9936)	31900 (9349)	29900 (8763)	
	10 (-12.2)		37700 (11049)	35900 (10522)	34000 (9965)	32200 (9437)	30400 (8910)	28500 (8353)	26700 (7825)	
	5 (-15.0)		33500 (9818)	31900 (9349)	30200 (8851)	28600 (8382)	26900 (7884)	25300 (7415)	23700 (6946)	
	0 (-17.8)		29500 (8646)	28100 (8236)	26600 (7796)	25100 (7356)	23700 (6946)	22200 (6506)	20700 (6067)	
	-5 (-20.6)		24600 (7210)	23400 (6858)	22100 (6477)	20900 (6125)	19600 (5744)	18400 (5393)	17100 (5012)	
	-10 (-23.3)		21300 (6243)	20200 (5920)	19200 (5627)	18100 (5305)	17000 (4982)	15800 (4631)	14700 (4308)	
	-15 (-26.1)		18400 (5393)	17500 (5129)	16500 (4836)	15500 (4543)	14500 (4250)	13500 (3957)	12500 (3664)	
	-20 (-28.9)		15800 (4631)	15000 (4396)	14200 (4162)	13300 (3898)	12400 (3634)	11500 (3370)	10600 (3107)	
-25 (-31.7)		13700 (4015)	13000 (3810)	12200 (3576)	11500 (3370)	10700 (3136)	9850 (2887)	9020 (2644)		

--- Outside Operating Range † Max 40°F RGT * Not suitable for use with R-507

CAPACITY DATA - R404A R507
LOW TEMPERATURE

MODEL TEH	SATURATED SUCTION TEMPERATURE		CAPACITY BTU/H (WATTS) R404A R507 AMBIENT TEMPERATURE °F (°C)							
	° F	° C	80 (26.6)	85 (29.4)	90 (32.2)	95 (35)	100 (37.8)	105 (40.6)	110 (43.3)	
TEHA006L6 Compressor Model RFT22C1E	10 (-12.2)		5580 (1635)	5380 (1577)	5160 (1512)	4940 (1448)	4690 (1374)	4460 (1307)	4200 (1231)	
	5 (-15.0)		5030 (1474)	4840 (1418)	4650 (1363)	4440 (1301)	4220 (1237)	4000 (1172)	3770 (1105)	
	0 (-17.8)		4500 (1319)	4340 (1272)	4160 (1219)	3970 (1163)	3770 (1105)	3530 (1035)	3320 (973)	
	-5 (-20.6)		4010 (1175)	3820 (1120)	3660 (1073)	3490 (1023)	3310 (970)	3120 (914)	2920 (856)	
	-10 (-23.3)		3540 (1037)	3370 (988)	3220 (944)	3070 (900)	2910 (853)	2730 (800)	2550 (747)	
	-15 (-26.1)		3100 (909)	2950 (865)	2810 (824)	2680 (785)	2520 (739)	2370 (695)	2220 (651)	
	-20 (-28.9)		2690 (788)	2550 (747)	2430 (712)	2300 (674)	2170 (636)	2040 (598)	1890 (554)	
	-25 (-31.7)		2300 (674)	2180 (639)	2070 (607)	1960 (574)	1850 (542)	1720 (504)	1610 (472)	
-30 (-34.4)		1940 (569)	1840 (539)	1740 (510)	1650 (484)	1540 (451)	1430 (419)	1320 (387)		
TEHA008L6 Compressor Model RFT26C1E	10 (-12.2)		6570 (1925)	6310 (1849)	6040 (1770)	5760 (1688)	5500 (1612)	5170 (1515)	4890 (1433)	
	5 (-15.0)		5950 (1744)	5660 (1659)	5420 (1588)	5170 (1515)	4900 (1436)	4660 (1366)	4400 (1290)	
	0 (-17.8)		5310 (1556)	5090 (1492)	4870 (1427)	4640 (1360)	4400 (1290)	4180 (1225)	3940 (1155)	
	-5 (-20.6)		4760 (1395)	4550 (1333)	4350 (1275)	4140 (1213)	3930 (1152)	3720 (1090)	3510 (1029)	
	-10 (-23.3)		4220 (1237)	4040 (1184)	3850 (1128)	3660 (1073)	3470 (1017)	3290 (964)	3090 (906)	
	-15 (-26.1)		3720 (1090)	3550 (1040)	3380 (991)	3190 (935)	3010 (882)	2850 (835)	2680 (785)	
	-20 (-28.9)		3240 (950)	3080 (903)	2930 (859)	2770 (812)	2610 (765)	2470 (724)	2310 (677)	
	-25 (-31.7)		2800 (821)	2660 (780)	2520 (739)	2380 (698)	2250 (659)	2110 (618)	1980 (580)	
-30 (-34.4)		2390 (700)	2260 (662)	2140 (627)	2030 (595)	1910 (560)	1790 (525)	1670 (489)		
TEHA010L6 Compressor Model CF04K6E*	10 (-12.2)		11200 (3283)	10500 (3077)	9740 (2855)	9010 (2641)	8270 (2424)	7540 (2210)	6810 (1996)	
	5 (-15.0)		9850 (2887)	9200 (2696)	8550 (2506)	7880 (2309)	7200 (2110)	6540 (1917)	5880 (1723)	
	0 (-17.8)		8640 (2532)	8060 (2362)	7470 (2189)	6870 (2013)	6260 (1835)	5660 (1659)	5060 (1483)	
	-5 (-20.6)		7560 (2216)	7040 (2063)	6500 (1905)	5960 (1747)	5420 (1589)	4870 (1427)	4340 (1272)	
	-10 (-23.3)		6570 (1926)	6110 (1791)	5630 (1650)	5150 (1509)	4660 (1366)	4170 (1222)	3700 (1084)	
	-15 (-26.1)		5680 (1665)	5260 (1542)	4830 (1416)	4400 (1290)	3970 (1164)	3540 (1038)	3120 (914)	
	-20 (-28.9)		4840 (1419)	4470 (1310)	4100 (1202)	3710 (1087)	3320 (973)	2940 (862)	2570 (753)	
	-25 (-31.7)		4040 (1184)	3720 (1090)	3370 (988)	3030 (888)	2690 (788)	2360 (692)	2050 (601)	
-30 (-34.4)		3240 (950)	2960 (868)	2660 (780)	2350 (689)	2060 (604)	1770 (519)	1500 (440)		
TEHA015L6 Compressor Model CF06K6E*	10 (-12.2)		13500 (3956)	12700 (3721)	11900 (3487)	11100 (3252)	10300 (3018)	9540 (2795)	8740 (2561)	
	5 (-15.0)		12400 (3633)	11700 (3428)	11000 (3223)	10200 (2989)	9490 (2781)	8760 (2567)	8020 (2350)	
	0 (-17.8)		11300 (3311)	10600 (3106)	9960 (2918)	9290 (2722)	8610 (2523)	7940 (2326)	7270 (2130)	
	-5 (-20.6)		10200 (2989)	9580 (2807)	8950 (2622)	8330 (2441)	7720 (2262)	7100 (2080)	6490 (1902)	
	-10 (-23.3)		9060 (2655)	8490 (2488)	7930 (2323)	7360 (2156)	6800 (1992)	6250 (1831)	5700 (1670)	
	-15 (-26.1)		7950 (2329)	7420 (2174)	6910 (2025)	6390 (1872)	5900 (1729)	5410 (1585)	4920 (1442)	
	-20 (-28.9)		6860 (2010)	6380 (1869)	5910 (1732)	5460 (1600)	5010 (1468)	4580 (1342)	4160 (1219)	
	-25 (-31.7)		5820 (1705)	5390 (1579)	4970 (1456)	4560 (1336)	4170 (1222)	3800 (1113)	3440 (1008)	
-30 (-34.4)		4850 (1421)	4450 (1304)	4070 (1193)	3730 (1093)	3390 (993)	3080 (902)	2780 (815)		
TEHA020L6 Compressor Model CF06K6E*	10 (-12.2)		15200 (4455)	14300 (4191)	13500 (3957)	12700 (3722)	11800 (3458)	11000 (3224)	10100 (2960)	
	5 (-15.0)		13900 (4074)	13100 (3839)	12300 (3605)	11500 (3370)	10700 (3136)	9950 (2916)	9170 (2688)	
	0 (-17.8)		12500 (3664)	11800 (3458)	11100 (3253)	10400 (3048)	9660 (2831)	8940 (2620)	8210 (2406)	
	-5 (-20.6)		11200 (3283)	10600 (3107)	9890 (2899)	9230 (2705)	8580 (2515)	7920 (2321)	7270 (2131)	
	-10 (-23.3)		9910 (2904)	9300 (2726)	8690 (2547)	8100 (2374)	7500 (2198)	6910 (2025)	6320 (1852)	
	-15 (-26.1)		8640 (2532)	8070 (2365)	7530 (2207)	6980 (2046)	6450 (1890)	5920 (1735)	5400 (1583)	
	-20 (-28.9)		7410 (2172)	6900 (2022)	6410 (1879)	5910 (1732)	5440 (1594)	4970 (1457)	4520 (1325)	
	-25 (-31.7)		6260 (1835)	5800 (1700)	5340 (1565)	4900 (1436)	4480 (1313)	4080 (1196)	3700 (1084)	
-30 (-34.4)		5200 (1524)	4770 (1398)	4370 (1281)	3980 (1166)	3620 (1061)	3280 (961)	2960 (868)		
TEHA025L6 Compressor Model CF09K6E*	10 (-12.2)		23900 (7005)	22600 (6624)	21300 (6243)	20100 (5891)	18800 (5510)	17500 (5129)	16300 (4777)	
	5 (-15.0)		21700 (6360)	20500 (6008)	19300 (5657)	18100 (5305)	17000 (4982)	15800 (4631)	14600 (4279)	
	0 (-17.8)		19500 (5715)	18400 (5393)	17300 (5070)	16200 (4748)	15200 (4455)	14100 (4132)	13100 (3839)	
	-5 (-20.6)		17300 (5070)	16300 (4777)	15300 (4484)	14400 (4220)	13400 (3927)	12400 (3634)	11500 (3370)	
	-10 (-23.3)		15200 (4455)	14300 (4191)	13400 (3927)	12500 (3664)	11700 (3429)	10800 (3165)	9940 (2913)	
	-15 (-26.1)		13200 (3869)	12400 (3634)	11600 (3400)	10800 (3165)	10000 (2931)	9230 (2705)	8470 (2482)	
	-20 (-28.9)		11300 (3312)	10500 (3077)	9810 (2875)	9100 (2667)	8420 (2468)	7750 (2271)	7090 (2078)	
	-25 (-31.7)		9440 (2767)	8790 (2576)	8150 (2389)	7540 (2210)	6940 (2034)	6360 (1864)	5810 (1703)	
-30 (-34.4)		7760 (2274)	7180 (2104)	6640 (1946)	6110 (1791)	5610 (1644)	5110 (1498)	4650 (1363)		
TEHA030L6 Compressor Model CF12K6E*	10 (-12.2)		27900 (8177)	26400 (7737)	24800 (7268)	23300 (6829)	21800 (6389)	20200 (5920)	18700 (5481)	
	5 (-15.0)		25300 (7415)	23900 (7005)	22500 (6594)	21100 (6184)	19700 (5774)	18300 (5363)	16900 (4953)	
	0 (-17.8)		22900 (6712)	21600 (6331)	20300 (5950)	19000 (5569)	17700 (5188)	16500 (4836)	15200 (4455)	
	-5 (-20.6)		20600 (6038)	19400 (5686)	18200 (5334)	17000 (4982)	15900 (4660)	14700 (4308)	13600 (3986)	
	-10 (-23.3)		18400 (5393)	17300 (5070)	16200 (4748)	15200 (4455)	14100 (4132)	13100 (3839)	12000 (3517)	
	-15 (-26.1)		16200 (4748)	15300 (4484)	14300 (4191)	13300 (3898)	12400 (3634)	11400 (3341)	10500 (3077)	
	-20 (-28.9)		14200 (4162)	13400 (3927)	12500 (3664)	11600 (3400)	10700 (3136)	9870 (2893)	9020 (2644)	
	-25 (-31.7)		12300 (3605)	11500 (3370)	10700 (3136)	9910 (2904)	9110 (2670)	8330 (2441)	7560 (2216)	
-30 (-34.4)		10500 (3077)	9750 (2858)	9010 (2641)	8270 (2424)	7540 (2210)	6810 (1996)	6110 (1791)		

--- Outside Operating Range † Max 40°F RGT * Not suitable for use with R-507

CAPACITY DATA - R22 HIGH / MEDIUM TEMPERATURE

MODEL TEH	SATURATED SUCTION TEMPERATURE		CAPACITY BTU/H (WATTS) R22 AMBIENT TEMPERATURE °F (°C)									
	° F	° C	80 (26.6)	85 (29.4)	90 (32.2)	95 (35)	100 (37.8)	105 (40.6)	110 (43.3)			
	TEHA015H7 Compressor Model CR18K6E	45 (7.2)		23600 (6917)	22600 (6624)	21600 (6331)	20600 (6038)	19700 (5774)	18700 (5481)	17700 (5188)		
40 (4.4)			21400 (6272)	20400 (5979)	19500 (5715)	18600 (5451)	17700 (5188)	16700 (4894)	15800 (4631)			
35 (1.7)			19200 (5627)	18400 (5393)	17500 (5129)	16600 (4865)	15800 (4631)	14900 (4367)	14000 (4103)			
30 (-1.1)			17200 (5041)	16400 (4807)	15600 (4572)	14700 (4308)	13900 (4074)	13100 (3839)	12300 (3605)			
25 (-3.9)			15200 (4455)	14500 (4250)	13700 (4015)	13000 (3810)	12200 (3576)	11400 (3341)	10700 (3136)			
20 (-6.7)			13400 (3927)	12700 (3722)	12000 (3517)	11300 (3312)	10600 (3107)	9840 (2884)	9120 (2673)			
15 (-9.4)			11700 (3429)	11000 (3224)	10400 (3048)	9700 (2843)	9030 (2647)	8370 (2453)	7700 (2257)			
10 (-12.2)			10100† (2960)†	9480† (2778)†	8870† (2600)†	8250† (2418)†	7630† (2236)†	7000† (2052)†	6370† (1867)†			
5 (-15.0)			8640† (2532)†	8090† (2371)†	7520† (2204)†	6940† (2034)†	6350† (1861)†	5760† (1688)†	5180† (1518)†			
0 (-17.8)			7350† (2154)†	6840† (2005)†	6300† (1846)†	5750† (1685)†	5210† (1527)†	---	---			
TEHA020H7 Compressor Model CR24K6E	45 (7.2)		27800 (8148)	26800 (7855)	25700 (7532)	24500 (7181)	23400 (6858)	22300 (6536)	21100 (6184)			
	40 (4.4)		25400 (7444)	24400 (7151)	23300 (6829)	22300 (6536)	21200 (6213)	20200 (5920)	19100 (5598)			
	35 (1.7)		23000 (6741)	22100 (6477)	21100 (6184)	20100 (5891)	19200 (5627)	18200 (5334)	17100 (5012)			
	30 (-1.1)		20800 (6096)	19900 (5832)	19000 (5569)	18100 (5305)	17200 (5041)	16200 (4748)	15300 (4484)			
	25 (-3.9)		18600 (5451)	17800 (5217)	17000 (4982)	16100 (4719)	15300 (4484)	14400 (4220)	13500 (3957)			
	20 (-6.7)		16600 (4865)	15900 (4660)	15100 (4426)	14300 (4191)	13500 (3957)	12700 (3722)	11900 (3488)			
	15 (-9.4)		14700 (4308)	14000 (4103)	13300 (3898)	12600 (3693)	11900 (3488)	11100 (3253)	10400 (3048)			
	10 (-12.2)		12900 (3781)	12300 (3605)	11700 (3429)	11000 (3224)	10300 (3019)	9670 (2834)	8980 (2632)			
	5 (-15.0)		11300 (3312)	10700 (3136)	10100 (2960)	9540 (2796)	8950 (2623)	8330 (2441)	7700 (2257)			
	0 (-17.8)		9770 (2863)	9260 (2714)	8750 (2564)	8220 (2409)	7690 (2254)	---	---			
TEHA025H7 Compressor Model CR32K6E	45 (7.2)		36100 (10580)	34800 (10199)	33500 (9818)	32200 (9437)	30800 (9027)	29500 (8646)	28200 (8265)			
	40 (4.4)		33000 (9672)	31800 (9320)	30600 (8968)	29400 (8617)	28200 (8265)	26900 (7884)	25700 (7532)			
	35 (1.7)		30100 (8822)	29000 (8499)	27900 (8177)	26700 (7825)	25600 (7503)	24500 (7181)	23300 (6829)			
	30 (-1.1)		27300 (8001)	26300 (7708)	25300 (7415)	24200 (7093)	23200 (6800)	22100 (6477)	21100 (6184)			
	25 (-3.9)		24700 (7239)	23800 (6975)	22800 (6682)	21800 (6389)	20800 (6096)	19900 (5832)	18900 (5539)			
	20 (-6.7)		22200 (6506)	21300 (6243)	20400 (5979)	19500 (5715)	18600 (5451)	17700 (5188)	16900 (4953)			
	15 (-9.4)		19800 (5803)	19000 (5569)	18100 (5305)	17300 (5070)	16500 (4836)	15700 (4601)	14900 (4367)			
	10 (-12.2)		17500 (5129)	16700 (4894)	15900 (4660)	15200 (4455)	14400 (4220)	13700 (4015)	12900 (3781)			
	5 (-15.0)		15200 (4455)	14500 (4250)	13800 (4045)	13100 (3839)	12400 (3634)	11700 (3429)	---			
	0 (-17.8)		13100 (3839)	12300 (3605)	11700 (3429)	11000 (3224)	---	---	---			
TEHA029H7 Compressor Model CR38K6E	45 (7.2)		40400 (11841)	38900 (11401)	37300 (10932)	35800 (10492)	34400 (10082)	32900 (9642)	---			
	40 (4.4)		37100 (10873)	35700 (10463)	34300 (10053)	32800 (9613)	31400 (9203)	30100 (8822)	---			
	35 (1.7)		34000 (9965)	32600 (9555)	31300 (9174)	29900 (8763)	28600 (8382)	27300 (8001)	26100 (7649)			
	30 (-1.1)		30900 (9056)	29600 (8675)	28400 (8324)	27100 (7943)	25900 (7591)	24600 (7210)	23400 (6858)			
	25 (-3.9)		27900 (8177)	26700 (7825)	25500 (7474)	24400 (7151)	23200 (6800)	22000 (6448)	20900 (6125)			
	20 (-6.7)		25100 (7356)	24000 (7034)	22800 (6682)	21700 (6360)	20600 (6038)	19500 (5715)	18500 (5422)			
	15 (-9.4)		22300 (6536)	21300 (6243)	20200 (5920)	19200 (5627)	18100 (5305)	17100 (5012)	16100 (4719)			
	10 (-12.2)		19700 (5774)	18700 (5481)	17700 (5188)	16700 (4894)	15800 (4631)	14800 (4338)	13800 (4045)			
	5 (-15.0)		17200 (5041)	16300 (4777)	15400 (4513)	14400 (4220)	13500 (3957)	12600 (3693)	---			
	0 (-17.8)		14900 (4367)	14000 (4103)	13100 (3839)	12200 (3576)	---	---	---			
TEHA030H7 Compressor Model CR38K6E	45 (7.2)		44900 (13159)	43200 (12661)	41600 (12192)	40000 (11723)	38300 (11225)	36700 (10756)	35100 (10287)			
	40 (4.4)		41000 (12016)	39500 (11577)	38000 (11137)	36400 (10668)	34900 (10229)	33400 (9789)	31900 (9349)			
	35 (1.7)		37300 (10932)	35900 (10522)	34500 (10111)	33000 (9672)	31600 (9261)	30200 (8851)	28700 (8411)			
	30 (-1.1)		33800 (9906)	32400 (9496)	31100 (9115)	29800 (8734)	28400 (8324)	27100 (7943)	25700 (7532)			
	25 (-3.9)		30400 (8910)	29100 (8529)	27900 (8177)	26600 (7796)	25400 (7444)	24100 (7063)	22900 (6712)			
	20 (-6.7)		27200 (7972)	26000 (7620)	24800 (7268)	23600 (6917)	22400 (6565)	21300 (6243)	20100 (5891)			
	15 (-9.4)		24100 (7063)	23000 (6741)	21900 (6419)	20800 (6096)	19700 (5774)	18600 (5451)	17500 (5129)			
	10 (-12.2)		21200 (6213)	20200 (5920)	19100 (5598)	18100 (5305)	17000 (4982)	16000 (4689)	15000 (4396)			
	5 (-15.0)		18500 (5422)	17500 (5129)	16500 (4836)	15500 (4543)	14500 (4250)	13600 (3986)	12600 (3693)			
	0 (-17.8)		15900 (4660)	15000 (4396)	14100 (4132)	13100 (3839)	12200 (3576)	---	---			

--- Outside Operating Range † Max 40°F RGT

table continues on next page >>>

CAPACITY DATA - R22
HIGH / MEDIUM TEMPERATURE (cont'd)

MODEL TEH	SATURATED SUCTION TEMPERATURE		CAPACITY BTU/H (WATTS) R22 AMBIENT TEMPERATURE °F (°C)							
	° F	° C	80 (26.6)	85 (29.4)	90 (32.2)	95 (35)	100 (37.8)	105 (40.6)	110 (43.3)	
TEHA035H7 Compressor Model CR42K6E	45 (7.2)		49400 (14478)	47600 (13951)	45800 (13423)	44000 (12896)	42200 (12368)	40400 (11841)	38500 (11284)	
	40 (4.4)		45000 (13189)	43400 (12720)	41800 (12251)	40100 (11753)	38400 (11254)	36800 (10785)	35100 (10287)	
	35 (1.7)		40900 (11987)	39400 (11547)	37900 (11108)	36400 (10668)	34800 (10199)	33300 (9760)	31800 (9320)	
	30 (-1.1)		36900 (10815)	35500 (10404)	34100 (9994)	32800 (9613)	31400 (9203)	30000 (8792)	28600 (8382)	
	25 (-3.9)		33100 (9701)	31800 (9320)	30600 (8968)	29300 (8587)	28100 (8236)	26800 (7855)	25500 (7474)	
	20 (-6.7)		29500 (8646)	28400 (8324)	27200 (7972)	26100 (7649)	24900 (7298)	23700 (6946)	22600 (6624)	
	15 (-9.4)		26200 (7679)	25100 (7356)	24000 (7034)	23000 (6741)	21900 (6419)	20900 (6125)	19800 (5803)	
	10 (-12.2)		23000† (6741)†	22100† (6477)†	21100† (6184)†	20100† (5891)†	19100† (5598)†	18100† (5305)†	17200† (5041)†	
	5 (-15.0)		20100† (5891)†	19200† (5627)†	18300† (5363)†	17400† (5100)†	16500† (4836)†	15600† (4572)†	---	
0 (-17.8)		17500† (5129)†	16600† (4865)†	15800† (4631)†	14900† (4367)†	---	---	---		
TEHA040H7 Compressor Model CR53KQE	45 (7.2)		60200 (17644)	58000 (16999)	55800 (16354)	53500 (15680)	51200 (15006)	48900 (14332)	---	
	40 (4.4)		55200 (16178)	53100 (15563)	51100 (14977)	49000 (14361)	46900 (13746)	44800 (13130)	42700 (12515)	
	35 (1.7)		50300 (14742)	48400 (14185)	46500 (13628)	44600 (13072)	42700 (12515)	40700 (11928)	38800 (11372)	
	30 (-1.1)		45500 (13335)	43800 (12837)	42100 (12339)	40300 (11811)	38600 (11313)	36800 (10785)	35000 (10258)	
	25 (-3.9)		41000 (12016)	39400 (11547)	37800 (11079)	36200 (10610)	34600 (10141)	33000 (9672)	31400 (9203)	
	20 (-6.7)		36700 (10756)	35200 (10317)	33800 (9906)	32300 (9467)	30800 (9027)	29400 (8617)	27900 (8177)	
	15 (-9.4)		32600 (9555)	31300 (9174)	29900 (8763)	28600 (8382)	27200 (7972)	25900 (7591)	24500 (7181)	
	10 (-12.2)		28800† (8441)†	27500† (8060)†	26300† (7708)†	25000† (7327)†	23800† (6975)†	22600† (6624)†	21300† (6243)†	
	5 (-15.0)		25200† (7386)†	24000† (7034)†	22900† (6712)†	21700† (6360)†	20600† (6038)†	19400† (5686)†	---	
0 (-17.8)		21900† (6419)†	20800† (6096)†	19700† (5774)†	18600† (5451)†	---	---	---		
TEHA050H7 Compressor Model CRNQ-050E	45 (7.2)		72000 (21102)	69500 (20369)	67000 (19637)	64600 (18933)	62200 (18230)	59800 (17526)	57400 (16823)	
	40 (4.4)		65800 (19285)	63500 (18611)	61300 (17966)	59000 (17292)	56800 (16647)	54600 (16002)	52300 (15328)	
	35 (1.7)		60000 (17585)	57900 (16970)	55800 (16354)	53700 (15739)	51700 (15152)	49600 (14537)	47500 (13921)	
	30 (-1.1)		54400 (15944)	52500 (15387)	50600 (14830)	48700 (14273)	46800 (13716)	44900 (13159)	42900 (12573)	
	25 (-3.9)		49200 (14420)	47400 (13892)	45700 (13394)	43900 (12866)	42100 (12339)	40300 (11811)	38500 (11284)	
	20 (-6.7)		44200 (12954)	42600 (12485)	40900 (11987)	39300 (11518)	37600 (11020)	35900 (10522)	34200 (10023)	
	15 (-9.4)		39400 (11547)	37900 (11108)	36400 (10668)	34800 (10199)	33200 (9730)	31600 (9261)	29900 (8763)	
	10 (-12.2)		34900† (10229)†	33500† (9818)†	32000† (9379)†	30500† (8939)†	29000† (8499)†	27400† (8030)†	25800† (7562)†	
	5 (-15.0)		30500† (8939)†	29100† (8529)†	27800† (8148)†	26300† (7708)†	24800† (7268)†	23200† (6800)†	---	
0 (-17.8)		26300† (7708)†	25000† (7327)†	23600† (6917)†	22200† (6506)†	---	---	---		

--- Outside Operating Range † Max 40°F RGT

CAPACITY DATA - **R407C** HIGH / MEDIUM TEMPERATURE

MODEL TEH	SATURATED SUCTION TEMPERATURE		CAPACITY BTU/H (WATTS) R407C AMBIENT TEMPERATURE °F (°C)						
	° F	° C	80 (26.6)	85 (29.4)	90 (32.2)	95 (35)	100 (37.8)	105 (40.6)	110 (43.3)
TEHT015H7 Compressor Model AWG5520WX	45 (7.2)		22400 (6560)	21500 (6300)	20700 (6070)	19800 (5800)	18900 (5540)	18000 (5280)	16900 (4950)
	40 (4.4)		20100 (5890)	19400 (5690)	18700 (5480)	17900 (5250)	17100 (5010)	16200 (4750)	15200 (4450)
	35 (1.7)		17900 (5250)	17200 (5040)	16600 (4860)	16000 (4690)	15200 (4450)	14500 (4250)	13500 (3960)
	30 (-1.1)		15800 (4630)	15100 (4430)	14600 (4280)	14000 (4100)	13300 (3900)	12700 (3720)	12000 (3520)
	25 (-3.9)		13800 (4040)	13200 (3870)	12700 (3720)	12200 (3580)	11700 (3430)	11000 (3220)	10300 (3030)
	20 (-6.7)		12100 (3550)	11600 (3400)	11100 (3250)	10600 (3110)	10080 (2950)	9490 (2780)	8850 (2590)
	15 (-9.4)		10600 (3110)	10170 (2980)	9720 (2850)	9250 (2710)	8750 (2560)	8190 (2400)	7560 (2220)
10 (-12.2)		9640 (2830)	9170 (2690)	8680 (2540)	8210 (2410)	7710 (2260)	7150 (2100)	6540 (1920)	
TEHT020H7 Compressor Model AWG5524WX	45 (7.2)		25900 (7590)	24900 (7300)	23800 (6980)	22800 (6680)	21600 (6330)	20600 (6040)	19400 (5690)
	40 (4.4)		23400 (6860)	22500 (6590)	21500 (6300)	20600 (6040)	19500 (5710)	18600 (5450)	17600 (5160)
	35 (1.7)		20900 (6130)	20100 (5890)	19200 (5630)	18300 (5360)	17400 (5100)	16500 (4840)	15600 (4570)
	30 (-1.1)		18500 (5420)	17700 (5190)	16900 (4950)	16100 (4720)	15200 (4450)	14400 (4220)	13700 (4020)
	25 (-3.9)		16300 (4780)	15500 (4540)	14700 (4310)	14000 (4100)	13100 (3840)	12400 (3630)	11700 (3430)
	20 (-6.7)		14200 (4160)	13400 (3930)	12700 (3720)	11900 (3490)	11100 (3250)	10400 (3050)	9690 (2840)
	15 (-9.4)		12400 (3630)	11700 (3430)	10900 (3190)	10090 (2960)	9310 (2730)	8580 (2510)	7890 (2310)
10 (-12.2)		10900 (3190)	10120 (2970)	9300 (2730)	8490 (2490)	7710 (2260)	6950 (2040)	6250 (1830)	
TEHT025H7 Compressor Model AWG5530WX	45 (7.2)		31500 (9230)	30500 (8940)	29300 (8590)	28100 (8240)	26900 (7880)	25600 (7500)	24500 (7180)
	40 (4.4)		28700 (8410)	27700 (8120)	26700 (7820)	25500 (7470)	24400 (7150)	23200 (6800)	22200 (6510)
	35 (1.7)		25900 (7590)	25100 (7360)	24200 (7090)	23100 (6770)	22100 (6480)	21000 (6150)	20000 (5860)
	30 (-1.1)		23400 (6860)	22700 (6650)	21800 (6390)	20900 (6130)	19800 (5800)	18900 (5540)	18000 (5280)
	25 (-3.9)		21100 (6180)	20400 (5980)	19600 (5740)	18700 (5480)	17900 (5250)	16900 (4950)	16100 (4720)
	20 (-6.7)		18800 (5510)	18200 (5330)	17400 (5100)	16600 (4860)	15800 (4630)	14900 (4370)	14200 (4160)
	15 (-9.4)		16400 (4810)	16000 (4690)	15200 (4450)	14500 (4250)	13700 (4020)	12900 (3780)	12200 (3580)
10 (-12.2)		14000 (4100)	13500 (3960)	13000 (3810)	12300 (3600)	11600 (3400)	10800 (3170)	10120 (2970)	
TEHT029H7 Compressor Model AVA5538WX	45 (7.2)		39500 (11580)	37800 (11080)	36200 (10610)	34500 (10110)	33000 (9670)	31200 (9140)	-
	40 (4.4)		36000 (10550)	34500 (10110)	33100 (9700)	31600 (9260)	30000 (8790)	28500 (8350)	27000 (7910)
	35 (1.7)		32600 (9550)	31200 (9140)	29900 (8760)	28600 (8380)	27100 (7940)	25700 (7530)	24300 (7120)
	30 (-1.1)		29200 (8560)	27900 (8180)	26800 (7850)	25500 (7470)	24300 (7120)	23000 (6740)	21600 (6330)
	25 (-3.9)		25900 (7590)	24800 (7270)	23700 (6950)	22600 (6620)	21400 (6270)	20300 (5950)	19000 (5570)
	20 (-6.7)		22900 (6710)	21800 (6390)	20800 (6100)	19700 (5770)	18700 (5480)	17600 (5160)	16500 (4840)
	15 (-9.4)		20000 (5860)	19100 (5600)	18100 (5300)	17100 (5010)	16200 (4750)	15100 (4430)	14100 (4130)
10 (-12.2)		17400 (5100)	16600 (4860)	15600 (4570)	14700 (4310)	13800 (4040)	12800 (3750)	11900 (3490)	
TEHT030H7 Compressor Model AVA5538WX	45 (7.2)		43900 (12870)	42200 (12370)	40500 (11870)	38900 (11400)	37100 (10870)	35300 (10350)	33500 (9820)
	40 (4.4)		39600 (11610)	38100 (11170)	36600 (10730)	35100 (10290)	33500 (9820)	31900 (9350)	30200 (8850)
	35 (1.7)		35500 (10400)	34100 (9990)	32800 (9610)	31400 (9200)	29900 (8760)	28500 (8350)	27000 (7910)
	30 (-1.1)		31500 (9230)	30300 (8880)	29100 (8530)	27800 (8150)	26600 (7800)	25200 (7390)	23900 (7000)
	25 (-3.9)		27800 (8150)	26800 (7850)	25600 (7500)	24500 (7180)	23300 (6830)	22200 (6510)	20900 (6130)
	20 (-6.7)		24500 (7180)	23400 (6860)	22400 (6560)	21300 (6240)	20300 (5950)	19100 (5600)	18100 (5300)
	15 (-9.4)		21300 (6240)	20400 (5980)	19400 (5690)	18500 (5420)	17400 (5100)	16400 (4810)	15300 (4480)
10 (-12.2)		18700 (5480)	17700 (5190)	16800 (4920)	15900 (4660)	14900 (4370)	14000 (4100)	12900 (3780)	
TEHT035H7 Compressor Model AVA5542WX	45 (7.2)		48600 (14240)	45900 (13450)	43500 (12750)	41200 (12070)	39100 (11460)	37100 (10870)	35200 (10320)
	40 (4.4)		43600 (12780)	41200 (12070)	38900 (11400)	36800 (10780)	34900 (10230)	33100 (9700)	31400 (9200)
	35 (1.7)		38700 (11340)	36400 (10670)	34400 (10080)	32600 (9550)	30900 (9060)	29200 (8560)	27700 (8120)
	30 (-1.1)		34000 (9960)	32000 (9380)	30200 (8850)	28600 (8380)	27000 (7910)	25600 (7500)	24300 (7120)
	25 (-3.9)		29700 (8700)	27900 (8180)	26300 (7710)	24900 (7300)	23500 (6890)	22300 (6540)	21100 (6180)
	20 (-6.7)		25800 (7560)	24300 (7120)	22800 (6680)	21600 (6330)	20500 (6010)	19400 (5690)	18400 (5390)
	15 (-9.4)		22400 (6560)	21100 (6180)	20000 (5860)	18900 (5540)	18000 (5280)	17100 (5010)	16200 (4750)
10 (-12.2)		19600 (5740)	18600 (5450)	17600 (5160)	16800 (4920)	16100 (4720)	15300 (4480)	14500 (4250)	
TEHT040H7 Compressor Model AGA5553WX	45 (7.2)		55100 (16150)	52700 (15440)	50300 (14740)	47800 (14010)	45300 (13280)	42700 (12510)	40300 (11810)
	40 (4.4)		49700 (14570)	47500 (13920)	45300 (13280)	42900 (12570)	40600 (11900)	38300 (11220)	36000 (10550)
	35 (1.7)		44400 (13010)	42400 (12430)	40400 (11840)	38300 (11220)	36200 (10610)	34000 (9960)	31900 (9350)
	30 (-1.1)		39500 (11580)	37800 (11080)	35900 (10520)	34000 (9960)	32000 (9380)	30100 (8820)	28100 (8240)
	25 (-3.9)		34900 (10230)	33400 (9790)	31700 (9290)	29900 (8760)	28200 (8260)	26400 (7740)	24600 (7210)
	20 (-6.7)		30700 (9000)	29300 (8590)	27800 (8150)	26300 (7710)	24700 (7240)	23000 (6740)	21300 (6240)
	15 (-9.4)		26800 (7850)	25500 (7470)	24300 (7120)	22800 (6680)	21300 (6240)	19800 (5800)	18300 (5360)
10 (-12.2)		23200 (6800)	22200 (6510)	21000 (6150)	19600 (5740)	18400 (5390)	16900 (4950)	15400 (4510)	
TEHT045H7 Compressor Model AGA5561WX	45 (7.2)		65500 (19200)	62500 (18320)	59400 (17410)	56400 (16530)	53400 (15650)	50600 (14830)	47900 (14040)
	40 (4.4)		59400 (17410)	56600 (16590)	53800 (15770)	51000 (14950)	48400 (14180)	45800 (13420)	43400 (12720)
	35 (1.7)		53400 (15650)	50800 (14890)	48300 (14160)	45900 (13450)	43500 (12750)	41100 (12050)	38700 (11340)
	30 (-1.1)		47800 (14010)	45400 (13310)	43100 (12630)	40800 (11960)	38600 (11310)	36400 (10670)	34300 (10050)
	25 (-3.9)		42400 (12430)	40200 (11780)	38100 (11170)	36000 (10550)	34000 (9960)	32000 (9380)	30000 (8790)
	20 (-6.7)		37500 (10990)	35500 (10400)	33500 (9820)	31600 (9260)	29600 (8670)	27700 (8120)	25900 (7590)
	15 (-9.4)		33000 (9670)	31200 (9140)	29300 (8590)	27500 (8060)	25600 (7500)	23800 (6980)	22100 (6480)
10 (-12.2)		29100 (8530)	27300 (8000)	25500 (7470)	23700 (6950)	21900 (6420)	20200 (5920)	18500 (5420)	
TEHT050H7 Compressor Model AGA5568WX	45 (7.2)		69400 (20340)	67000 (19640)	64600 (18930)	62100 (18200)	59600 (17470)	57000 (16700)	54400 (15940)
	40 (4.4)		62700 (18380)	60600 (17760)	58400 (17120)	56100 (16440)	53700 (15740)	51200 (15010)	48600 (14240)
	35 (1.7)		56300 (16500)	54400 (15940)	52400 (15360)	50300 (14740)	48100 (14100)	45800 (13420)	43300 (12690)
	30 (-1.1)		50200 (14710)	48500 (14210)	46800 (13720)	44900 (13160)	42900 (12570)	40700 (11930)	38400 (11250)
	25 (-3.9)		44400 (13010)	43100 (12630)	41600 (12190)	40000 (11720)	38100 (11170)	36100 (10580)	33900 (9940)
	20 (-6.7)		39000 (11430)	38000 (11140)	36900 (10810)	35500 (10400)	33800 (9910)	32000 (9380)	29900 (8760)
	15 (-9.4)		34000 (9960)	33400 (9790)	32600 (9550)	31500 (9230)	30000 (8790)	28500 (8350)	26600 (7800)
10 (-12.2)		29600 (8670)	29400 (8620)	28900 (8470)	28000 (8210)	26900 (7880)	25400 (7440)	23600 (6920)	

NOTES: - Above ratings are based on mean temperature. - To convert to dew point ratings, use 0.95 multiplier.

CAPACITY DATA - R404A R507
MEDIUM TEMPERATURE

MODEL TEH	SATURATED SUCTION TEMPERATURE		CAPACITY BTU/H (WATTS) R404A R507 AMBIENT TEMPERATURE °F (°C)							
	° F	° C	80 (26.6)	85 (29.4)	90 (32.2)	95 (35)	100 (37.8)	105 (40.6)	110 (43.3)	
TEHT006M6 Compressor Model AKA9451ZX	30 (-1.1)		9290 (2720)	8780 (2570)	8280 (2430)	7810 (2290)	7350 (2150)	6900 (2020)	6450 (1890)	
	25 (-3.9)		8410 (2460)	7920 (2320)	7440 (2180)	7000 (2050)	6560 (1920)	6140 (1800)	5730 (1680)	
	20 (-6.7)		7620 (2230)	7140 (2090)	6690 (1960)	6260 (1830)	5850 (1710)	5450 (1600)	5050 (1480)	
	15 (-9.4)		6940 (2030)	6470 (1900)	6030 (1770)	5610 (1640)	5210 (1530)	4820 (1410)	4430 (1300)	
	10 (-12.2)		6370 (1870)	5910 (1730)	5470 (1600)	5050 (1480)	4640 (1360)	4260 (1250)	3890 (1140)	
	5 (-15)		5930 (1740)	5460 (1600)	5010 (1470)	4590 (1350)	4180 (1230)	3790 (1110)	3410 (1000)	
0 (-17.8)		5630 (1650)	5130 (1500)	4670 (1370)	4230 (1240)	3810 (1120)	3410 (1000)	3010 (880)		
TEHT008M6 Compressor Model AKA9455ZX	30 (-1.1)		10300 (3020)	9820 (2880)	9300 (2730)	8790 (2580)	8280 (2430)	7780 (2280)	7280 (2130)	
	25 (-3.9)		9430 (2760)	8950 (2620)	8470 (2480)	7990 (2340)	7520 (2200)	7060 (2070)	6590 (1930)	
	20 (-6.7)		8530 (2500)	8070 (2370)	7630 (2240)	7190 (2110)	6760 (1980)	6330 (1860)	5900 (1730)	
	15 (-9.4)		7640 (2240)	7230 (2120)	6830 (2000)	6420 (1880)	6020 (1760)	5620 (1650)	5220 (1530)	
	10 (-12.2)		6810 (2000)	6440 (1890)	6060 (1780)	5680 (1660)	5300 (1550)	4940 (1450)	4570 (1340)	
	5 (-15)		6060 (1780)	5700 (1670)	5340 (1560)	4990 (1460)	4640 (1360)	4290 (1260)	3960 (1160)	
0 (-17.8)		5390 (1580)	5050 (1480)	4710 (1380)	4390 (1290)	4060 (1190)	3740 (1100)	3410 (1000)		
TEHT010M6 Compressor Model AKA9462ZX	30 (-1.1)		11900 (3490)	11400 (3340)	10800 (3170)	10300 (3020)	9710 (2850)	9160 (2680)	8600 (2520)	
	25 (-3.9)		10900 (3190)	10300 (3020)	9830 (2880)	9300 (2730)	8780 (2570)	8250 (2420)	7740 (2270)	
	20 (-6.7)		9840 (2880)	9370 (2750)	8880 (2600)	8400 (2460)	7910 (2320)	7420 (2170)	6940 (2030)	
	15 (-9.4)		8880 (2600)	8440 (2470)	8000 (2340)	7550 (2210)	7090 (2080)	6640 (1950)	6180 (1810)	
	10 (-12.2)		7960 (2330)	7560 (2220)	7140 (2090)	6730 (1970)	6310 (1850)	5890 (1730)	5470 (1600)	
	5 (-15)		7060 (2070)	6690 (1960)	6310 (1850)	5920 (1730)	5530 (1620)	5150 (1510)	4770 (1400)	
0 (-17.8)		6150 (1800)	5810 (1700)	5460 (1600)	5110 (1500)	4760 (1400)	4400 (1290)	4050 (1190)		
TEHT015M6 Compressor Model AWA9490ZX	30 (-1.1)		19800 (5800)	18700 (5480)	17600 (5160)	16500 (4840)	15400 (4510)	14300 (4190)	13200 (3870)	
	25 (-3.9)		17900 (5250)	16900 (4950)	15900 (4660)	14900 (4370)	13900 (4070)	12900 (3780)	12000 (3520)	
	20 (-6.7)		16000 (4690)	15100 (4430)	14200 (4160)	13300 (3900)	12400 (3630)	11500 (3370)	10700 (3140)	
	15 (-9.4)		14200 (4160)	13400 (3930)	12600 (3690)	11800 (3460)	11000 (3220)	10200 (2990)	9400 (2750)	
	10 (-12.2)		12500 (3660)	11800 (3460)	11000 (3220)	10300 (3020)	9570 (2800)	8860 (2600)	8170 (2390)	
	5 (-15)		11000 (3220)	10300 (3020)	9600 (2810)	8940 (2620)	8270 (2420)	7640 (2240)	7020 (2060)	
0 (-17.8)		9630 (2820)	8970 (2630)	8340 (2440)	7720 (2260)	7120 (2090)	6540 (1920)	5990 (1760)		
TEHT020M6 Compressor Model AWA7512ZX	30 (-1.1)		22200 (6510)	21100 (6180)	20000 (5860)	19000 (5570)	17900 (5250)	16800 (4920)	15700 (4600)	
	25 (-3.9)		20100 (5890)	19100 (5600)	18100 (5300)	17100 (5010)	16100 (4720)	15100 (4430)	14200 (4160)	
	20 (-6.7)		18100 (5300)	17200 (5040)	16300 (4780)	15400 (4510)	14500 (4250)	13500 (3960)	12600 (3690)	
	15 (-9.4)		16200 (4750)	15400 (4510)	14500 (4250)	13700 (4020)	12800 (3750)	12000 (3520)	11200 (3280)	
	10 (-12.2)		14400 (4220)	13600 (3990)	12900 (3780)	12100 (3550)	11300 (3310)	10500 (3080)	9780 (2870)	
	5 (-15)		12700 (3720)	12000 (3520)	11300 (3310)	10600 (3110)	9870 (2890)	9170 (2690)	8470 (2480)	
0 (-17.8)		11100 (3250)	10400 (3050)	9800 (2870)	9170 (2690)	8530 (2500)	7890 (2310)	7260 (2130)		
TEHT025M6 Compressor Model AWA7515ZX	30 (-1.1)		26300 (7710)	25200 (7390)	24000 (7030)	22800 (6680)	21600 (6330)	20400 (5980)	19200 (5630)	
	25 (-3.9)		24100 (7060)	23100 (6770)	22000 (6450)	20900 (6130)	19800 (5800)	18700 (5480)	17600 (5160)	
	20 (-6.7)		22000 (6450)	21000 (6150)	20000 (5860)	19000 (5570)	18000 (5280)	17000 (4980)	15900 (4660)	
	15 (-9.4)		19800 (5800)	18900 (5540)	18000 (5280)	17100 (5010)	16200 (4750)	15300 (4480)	14300 (4190)	
	10 (-12.2)		17800 (5220)	17000 (4980)	16100 (4720)	15300 (4480)	14400 (4220)	13600 (3990)	12700 (3720)	
	5 (-15)		15800 (4630)	15100 (4430)	14300 (4190)	13500 (3960)	12700 (3720)	12000 (3520)	11200 (3280)	
0 (-17.8)		14000 (4100)	13300 (3900)	12600 (3690)	11900 (3490)	11200 (3280)	10400 (3050)	9680 (2840)		
TEHT030M6 Compressor Model AVA9519ZX	30 (-1.1)		36600 (10730)	34900 (10230)	33100 (9700)	31400 (9200)	29600 (8670)	27800 (8150)	26100 (7650)	
	25 (-3.9)		33300 (9760)	31600 (9260)	29900 (8760)	28300 (8290)	26600 (7800)	24900 (7300)	23200 (6800)	
	20 (-6.7)		30500 (8940)	28800 (8440)	27200 (7970)	25600 (7500)	24000 (7030)	22400 (6560)	20800 (6100)	
	15 (-9.4)		28100 (8240)	26500 (7770)	24800 (7270)	23200 (6800)	21700 (6360)	20100 (5890)	18600 (5450)	
	10 (-12.2)		26000 (7620)	24300 (7120)	22700 (6650)	21200 (6210)	19600 (5740)	18100 (5300)	16600 (4860)	
	5 (-15)		24100 (7060)	22400 (6560)	20800 (6100)	19200 (5630)	17700 (5190)	16200 (4750)	14700 (4310)	
0 (-17.8)		22200 (6510)	20500 (6010)	18900 (5540)	17300 (5070)	15800 (4630)	14200 (4160)	12800 (3750)		
TEHT035M6 Compressor Model AVA9522ZX	30 (-1.1)		40600 (11900)	38600 (11310)	36600 (10730)	34600 (10140)	32600 (9550)	30600 (8970)	28600 (8380)	
	25 (-3.9)		36600 (10730)	34800 (10200)	32900 (9640)	31100 (9110)	29300 (8590)	27500 (8060)	25700 (7530)	
	20 (-6.7)		32900 (9640)	31200 (9140)	29500 (8650)	27900 (8180)	26200 (7680)	24600 (7210)	22900 (6710)	
	15 (-9.4)		29400 (8620)	27900 (8180)	26300 (7710)	24800 (7270)	23400 (6860)	21900 (6420)	20400 (5980)	
	10 (-12.2)		26200 (7680)	24800 (7270)	23400 (6860)	22000 (6450)	20700 (6070)	19300 (5660)	18000 (5280)	
	5 (-15)		23200 (6800)	21900 (6420)	20600 (6040)	19400 (5690)	18200 (5330)	17000 (4980)	15800 (4630)	
0 (-17.8)		20400 (5980)	19200 (5630)	18100 (5300)	17000 (4980)	15900 (4660)	14800 (4340)	13700 (4020)		
TEHT036M6 Compressor Model AVA7524ZX	30 (-1.1)		43200 (12660)	41100 (12050)	39000 (11430)	36900 (10810)	34800 (10200)	32800 (9610)	30800 (9030)	
	25 (-3.9)		39400 (11550)	37400 (10960)	35500 (10400)	33600 (9850)	31700 (9290)	29900 (8760)	28000 (8210)	
	20 (-6.7)		35800 (10490)	33900 (9940)	32200 (9440)	30400 (8910)	28700 (8410)	27000 (7910)	25300 (7410)	
	15 (-9.4)		32300 (9470)	30600 (8970)	28900 (8470)	27300 (8000)	25800 (7560)	24200 (7090)	22700 (6650)	
	10 (-12.2)		28900 (8470)	27400 (8030)	25900 (7590)	24400 (7150)	23000 (6740)	21500 (6300)	20100 (5890)	
	5 (-15)		25700 (7530)	24300 (7120)	22900 (6710)	21600 (6330)	20300 (5950)	19000 (5570)	17700 (5190)	
0 (-17.8)		22700 (6650)	21400 (6270)	20100 (5890)	18900 (5540)	17700 (5190)	16500 (4840)	15400 (4510)		

--- Outside Operating Range † Max 40°F RGT

table continues on next page >>>

CAPACITY DATA - R404A R507
MEDIUM TEMPERATURE (cont'd)

MODEL TEH	SATURATED SUCTION TEMPERATURE		CAPACITY BTU/H (WATTS) R404A R507						AMBIENT TEMPERATURE °F (°C)	
	° F	° C	80 (26.6)	85 (29.4)	90 (32.2)	95 (35)	100 (37.8)	105 (40.6)	110 (43.3)	
TEHT040M6 Compressor Model AVA9528ZX	30 (-1.1)		48200 (14130)	46000 (13480)	43700 (12810)	41500 (12160)	39200 (11490)	37000 (10840)	34700 (10170)	
	25 (-3.9)		43500 (12750)	41400 (12130)	39400 (11550)	37300 (10930)	35200 (10320)	33100 (9700)	31000 (9090)	
	20 (-6.7)		39200 (11490)	37300 (10930)	35300 (10350)	33400 (9790)	31500 (9230)	29500 (8650)	27600 (8090)	
	15 (-9.4)		35300 (10350)	33400 (9790)	31600 (9260)	29900 (8760)	28100 (8240)	26300 (7710)	24500 (7180)	
	10 (-12.2)		31600 (9260)	29900 (8760)	28200 (8260)	26600 (7800)	25000 (7330)	23400 (6860)	21800 (6390)	
	5 (-15)		28100 (8240)	26600 (7800)	25100 (7360)	23600 (6920)	22200 (6510)	20700 (6070)	19300 (5660)	
	0 (-17.8)		24900 (7300)	23500 (6890)	22200 (6510)	20800 (6100)	19500 (5710)	18300 (5360)	17000 (4980)	
TEHT050M6 Compressor Model AGA9530ZX	30 (-1.1)		54700 (16030)	52000 (15240)	49300 (14450)	46600 (13660)	43800 (12840)	41100 (12050)	38400 (11250)	
	25 (-3.9)		49900 (14620)	47300 (13860)	44800 (13130)	42300 (12400)	39700 (11630)	37200 (10900)	34700 (10170)	
	20 (-6.7)		45100 (13220)	42700 (12510)	40400 (11840)	38000 (11140)	35700 (10460)	33400 (9790)	31100 (9110)	
	15 (-9.4)		40500 (11870)	38300 (11220)	36100 (10580)	33900 (9940)	31800 (9320)	29600 (8670)	27500 (8060)	
	10 (-12.2)		36200 (10610)	34100 (9990)	32100 (9410)	30000 (8790)	28000 (8210)	26100 (7650)	24100 (7060)	
	5 (-15)		32200 (9440)	30200 (8850)	28300 (8290)	26400 (7740)	24500 (7180)	22700 (6650)	21000 (6150)	
	0 (-17.8)		28500 (8350)	26700 (7820)	24900 (7300)	23100 (6770)	21400 (6270)	19700 (5770)	18100 (5300)	
TEHT060M6 Compressor Model AGA9534ZX	30 (-1.1)		64600 (18930)	61500 (18020)	58400 (17120)	55200 (16180)	52100 (15270)	49000 (14360)	45800 (13420)	
	25 (-3.9)		59100 (17320)	56200 (16470)	53400 (15650)	50500 (14800)	47600 (13950)	44800 (13130)	41900 (12280)	
	20 (-6.7)		52700 (15440)	50100 (14680)	47500 (13920)	44900 (13160)	42300 (12400)	39800 (11660)	37200 (10900)	
	15 (-9.4)		45900 (13450)	43700 (12810)	41400 (12130)	39100 (11460)	36800 (10780)	34500 (10110)	32200 (9440)	
	10 (-12.2)		39500 (11580)	37500 (10990)	35600 (10430)	33600 (9850)	31600 (9260)	29700 (8700)	27700 (8120)	
	5 (-15)		33900 (9940)	32300 (9470)	30700 (9000)	29100 (8530)	27500 (8060)	25900 (7590)	24200 (7090)	
	0 (-17.8)		30100 (8820)	28800 (8440)	27600 (8090)	26400 (7740)	25100 (7360)	23800 (6980)	22600 (6620)	

--- Outside Operating Range † Max 40°F RGT

CAPACITY DATA - R404A R507
LOW TEMPERATURE

MODEL TEH	SATURATED SUCTION TEMPERATURE		CAPACITY BTU/H (WATTS) R404A R507 AMBIENT TEMPERATURE °F (°C)													
	° F	° C	80 (26.6)		85 (29.4)		90 (32.2)		95 (35)		100 (37.8)		105 (40.6)		110 (43.3)	
TEHT008L6 Compressor Model AJA2425ZXD	0	(-17.8)	6200 (1820)	5660 (1660)	5180 (1520)	4740 (1390)	4350 (1270)	3980 (1170)	3640 (1070)							
	-5	(-20.6)	5400 (1580)	4900 (1440)	4460 (1310)	4070 (1190)	3720 (1090)	3400 (1000)	3110 (910)							
	-10	(-23.3)	4650 (1360)	4200 (1230)	3800 (1110)	3440 (1010)	3140 (920)	2870 (840)	2610 (760)							
	-15	(-26.1)	3970 (1160)	3560 (1040)	3190 (930)	2880 (840)	2600 (760)	2370 (690)	2150 (630)							
	-20	(-28.9)	3350 (980)	2970 (870)	2650 (780)	2360 (690)	2120 (620)	1920 (560)	1730 (510)							
	-25	(-31.7)	2790 (820)	2450 (720)	2150 (630)	1900 (560)	1690 (500)	1510 (440)	1340 (390)							
	-30	(-34.4)	2310 (680)	1980 (580)	1710 (500)	1490 (440)	1300 (380)	1140 (330)	1000 (290)							
	-35	(-37.2)	1880 (550)	1590 (470)	1330 (390)	1120 (330)	960 (280)	820 (240)	680 (200)							
	-40	(-40)	1520 (450)	1240 (360)	1010 (300)	820 (240)	660 (190)	540 (160)	410 (120)							
TEHT010L6 Compressor Model AWA2440ZX	0	(-17.8)	8330 (2440)	7760 (2270)	7190 (2110)	6640 (1950)	6070 (1780)	5500 (1610)	4950 (1450)							
	-5	(-20.6)	7380 (2160)	6870 (2010)	6350 (1860)	5840 (1710)	5320 (1560)	4810 (1410)	4290 (1260)							
	-10	(-23.3)	6450 (1890)	5990 (1760)	5520 (1620)	5050 (1480)	4590 (1350)	4130 (1210)	3650 (1070)							
	-15	(-26.1)	5550 (1630)	5130 (1500)	4730 (1390)	4310 (1260)	3900 (1140)	3480 (1020)	3060 (900)							
	-20	(-28.9)	4690 (1370)	4330 (1270)	3960 (1160)	3590 (1050)	3230 (950)	2870 (840)	2500 (730)							
	-25	(-31.7)	3870 (1130)	3560 (1040)	3240 (950)	2930 (860)	2630 (770)	2310 (680)	2000 (590)							
	-30	(-34.4)	3120 (910)	2860 (840)	2590 (760)	2330 (680)	2070 (610)	1810 (530)	1550 (450)							
	-35	(-37.2)	2430 (710)	2220 (650)	2010 (590)	1810 (530)	1600 (470)	1390 (410)	1180 (350)							
	-40	(-40)	1830 (540)	1670 (490)	1510 (440)	1370 (400)	1210 (350)	1050 (310)	890 (260)							
TEHT011L6 Compressor Model AWA2450ZX	0	(-17.8)	10100 (2960)	9470 (2780)	8810 (2580)	8150 (2390)	7510 (2200)	6870 (2010)	6250 (1830)							
	-5	(-20.6)	8980 (2630)	8360 (2450)	7740 (2270)	7130 (2090)	6540 (1920)	5950 (1740)	5380 (1580)							
	-10	(-23.3)	7840 (2300)	7270 (2130)	6710 (1970)	6150 (1800)	5610 (1640)	5070 (1490)	4550 (1330)							
	-15	(-26.1)	6750 (1980)	6240 (1830)	5720 (1680)	5210 (1530)	4710 (1380)	4230 (1240)	3760 (1100)							
	-20	(-28.9)	5720 (1680)	5260 (1540)	4790 (1400)	4340 (1270)	3890 (1140)	3450 (1010)	3020 (890)							
	-25	(-31.7)	4780 (1400)	4350 (1270)	3940 (1150)	3530 (1030)	3130 (920)	2740 (800)	2360 (690)							
	-30	(-34.4)	3910 (1150)	3530 (1030)	3160 (930)	2790 (820)	2450 (720)	2110 (620)	1790 (520)							
	-35	(-37.2)	3130 (920)	2800 (820)	2480 (730)	2160 (630)	1860 (550)	1560 (460)	1290 (380)							
	-40	(-40)	2470 (720)	2180 (640)	1910 (560)	1640 (480)	1390 (410)	1140 (330)	920 (270)							
TEHT020L6 Compressor Model AWA2460ZX	0	(-17.8)	12300 (3600)	11500 (3370)	10700 (3140)	9840 (2880)	9040 (2650)	8260 (2420)	7510 (2200)							
	-5	(-20.6)	11000 (3220)	10200 (2990)	9480 (2780)	8730 (2560)	7980 (2340)	7260 (2130)	6540 (1920)							
	-10	(-23.3)	9710 (2850)	9040 (2650)	8360 (2450)	7670 (2250)	6970 (2040)	6290 (1840)	5640 (1650)							
	-15	(-26.1)	8510 (2490)	7900 (2320)	7280 (2130)	6650 (1950)	6020 (1760)	5390 (1580)	4780 (1400)							
	-20	(-28.9)	7340 (2150)	6800 (1990)	6260 (1830)	5680 (1660)	5110 (1500)	4550 (1330)	3990 (1170)							
	-25	(-31.7)	6210 (1820)	5750 (1690)	5270 (1540)	4780 (1400)	4260 (1250)	3750 (1100)	3240 (950)							
	-30	(-34.4)	5120 (1500)	4750 (1390)	4350 (1270)	3910 (1150)	3470 (1020)	3010 (880)	2560 (750)							
	-35	(-37.2)	4080 (1200)	3790 (1110)	3470 (1020)	3100 (910)	2720 (800)	2330 (680)	1940 (570)							
	-40	(-40)	3090 (910)	2880 (840)	2630 (770)	2340 (690)	2030 (590)	1700 (500)	1380 (400)							
TEHT025L6 Compressor Model AVA2490ZX	0	(-17.8)	19000 (5570)	17900 (5250)	16700 (4890)	15600 (4570)	14500 (4250)	13300 (3900)	12200 (3580)							
	-5	(-20.6)	16800 (4920)	15800 (4630)	14800 (4340)	13800 (4040)	12800 (3750)	11800 (3460)	10800 (3170)							
	-10	(-23.3)	14800 (4340)	13900 (4070)	13000 (3810)	12100 (3550)	11200 (3280)	10300 (3020)	9380 (2750)							
	-15	(-26.1)	12900 (3780)	12100 (3550)	11400 (3340)	10600 (3110)	9730 (2850)	8910 (2610)	8100 (2370)							
	-20	(-28.9)	11100 (3250)	10500 (3080)	9800 (2870)	9090 (2660)	8370 (2450)	7630 (2240)	6900 (2020)							
	-25	(-31.7)	9370 (2750)	8880 (2600)	8330 (2440)	7730 (2270)	7090 (2080)	6440 (1890)	5790 (1700)							
	-30	(-34.4)	7800 (2290)	7410 (2170)	6960 (2040)	6450 (1890)	5890 (1730)	5310 (1560)	4740 (1390)							
	-35	(-37.2)	6330 (1860)	6050 (1770)	5680 (1660)	5240 (1540)	4770 (1400)	4250 (1250)	3750 (1100)							
	-40	(-40)	4960 (1450)	4770 (1400)	4470 (1310)	4120 (1210)	3700 (1080)	3260 (960)	2790 (820)							
TEHT030L6 Compressor Model AVA2512ZX	0	(-17.8)	23200 (6800)	21800 (6390)	20300 (5950)	18900 (5540)	17500 (5130)	16100 (4720)	14700 (4310)							
	-5	(-20.6)	20700 (6070)	19400 (5690)	18100 (5300)	16800 (4920)	15500 (4540)	14300 (4190)	13000 (3810)							
	-10	(-23.3)	18300 (5360)	17200 (5040)	16100 (4720)	14900 (4370)	13700 (4020)	12600 (3690)	11500 (3370)							
	-15	(-26.1)	16100 (4720)	15100 (4430)	14100 (4130)	13100 (3840)	12000 (3520)	11000 (3220)	9940 (2910)							
	-20	(-28.9)	13900 (4070)	13100 (3840)	12200 (3580)	11300 (3310)	10400 (3050)	9440 (2770)	8530 (2500)							
	-25	(-31.7)	11900 (3490)	11200 (3280)	10500 (3080)	9660 (2830)	8840 (2590)	8010 (2350)	7190 (2110)							
	-30	(-34.4)	9980 (2920)	9430 (2760)	8800 (2580)	8110 (2380)	7380 (2160)	6650 (1950)	5910 (1730)							
	-35	(-37.2)	8160 (2390)	7740 (2270)	7210 (2110)	6630 (1940)	6000 (1760)	5340 (1560)	4690 (1370)							
	-40	(-40)	6440 (1890)	6130 (1800)	5710 (1670)	5220 (1530)	4670 (1370)	4100 (1200)	3510 (1030)							

--- Outside Operating Range † Max 40°F RGT

CAPACITY DATA - R22 HIGH TEMPERATURE

MODEL	SATURATED SUCTION TEMPERATURE		CAPACITY BTU/H (WATTS) R22 AMBIENT TEMPERATURE °F (°C)									
	° F	° C	80 (26.6)	85 (29.4)	90 (32.2)	95 (35)	100 (37.8)	105 (40.6)	110 (43.3)			
TEHT015H7 Compressor Model AWG5520WX	45 (7.2)		24600 (7210)	23700 (6950)	22800 (6680)	21900 (6420)	21000 (6150)	20100 (5890)	19200 (5630)			
	40 (4.4)		22300 (6540)	21500 (6300)	20700 (6070)	19800 (5800)	19000 (5570)	18200 (5330)	17300 (5070)			
	35 (1.7)		20200 (5920)	19400 (5690)	18600 (5450)	17900 (5250)	17100 (5010)	16300 (4780)	15600 (4570)			
	30 (-1.1)		18100 (5300)	17400 (5100)	16700 (4890)	16000 (4690)	15300 (4480)	14600 (4280)	13900 (4070)			
	25 (-3.9)		16200 (4750)	15600 (4570)	14900 (4370)	14300 (4190)	13600 (3990)	13000 (3810)	12400 (3630)			
	20 (-6.7)		14400 (4220)	13800 (4040)	13200 (3870)	12600 (3690)	12000 (3520)	11500 (3370)	10900 (3190)			
	15 (-9.4)		12700 (3720)	12200 (3580)	11600 (3400)	11100 (3250)	10600 (3110)	10000 (2930)	9510 (2790)			
10 (-12.2)		11200 (3280)	10700 (3140)	10200 (2990)	9660 (2830)	9180 (2690)	8690 (2550)	8230 (2410)				
TEHT020H7 Compressor Model AWG5524WX	45 (7.2)		28500 (8350)	27500 (8060)	26500 (7770)	25500 (7470)	24600 (7210)	23600 (6920)	22600 (6620)			
	40 (4.4)		26000 (7620)	25100 (7360)	24200 (7090)	23200 (6800)	22300 (6540)	21400 (6270)	20500 (6010)			
	35 (1.7)		23600 (6920)	22700 (6650)	21900 (6420)	21000 (6150)	20200 (5920)	19400 (5690)	18500 (5420)			
	30 (-1.1)		21300 (6240)	20500 (6010)	19700 (5770)	19000 (5570)	18200 (5330)	17400 (5100)	16600 (4860)			
	25 (-3.9)		19200 (5630)	18400 (5390)	17700 (5190)	17000 (4980)	16300 (4780)	15600 (4570)	14800 (4340)			
	20 (-6.7)		17100 (5010)	16500 (4840)	15800 (4630)	15100 (4430)	14500 (4250)	13800 (4040)	13200 (3870)			
	15 (-9.4)		15200 (4450)	14600 (4280)	14000 (4100)	13400 (3930)	12800 (3750)	12100 (3550)	11600 (3400)			
10 (-12.2)		13400 (3930)	12800 (3750)	12300 (3600)	11700 (3430)	11100 (3250)	10600 (3110)	10000 (2930)				
TEHT025H7 Compressor Model AWG5530WX	45 (7.2)		34200 (10020)	33100 (9700)	32100 (9410)	31000 (9090)	29900 (8760)	28800 (8440)	27700 (8120)			
	40 (4.4)		31300 (9170)	30300 (8880)	29300 (8590)	28300 (8290)	27300 (8000)	26300 (7710)	25300 (7410)			
	35 (1.7)		28400 (8320)	27600 (8090)	26600 (7800)	25700 (7530)	24800 (7270)	23900 (7000)	22900 (6710)			
	30 (-1.1)		25800 (7560)	24900 (7300)	24100 (7060)	23300 (6830)	22400 (6560)	21600 (6330)	20700 (6070)			
	25 (-3.9)		23200 (6800)	22500 (6590)	21700 (6360)	20900 (6130)	20200 (5920)	19400 (5690)	18600 (5450)			
	20 (-6.7)		20800 (6100)	20100 (5890)	19400 (5690)	18700 (5480)	18000 (5280)	17300 (5070)	16600 (4860)			
	15 (-9.4)		18500 (5420)	17900 (5250)	17200 (5040)	16600 (4860)	15900 (4660)	15300 (4480)	14600 (4280)			
10 (-12.2)		16400 (4810)	15800 (4630)	15200 (4450)	14600 (4280)	14000 (4100)	13400 (3930)	12800 (3750)				
TEHT029H7 Compressor Model AVA5538WX	45 (7.2)		42600 (12480)	41000 (12020)	39400 (11550)	37800 (11080)	36200 (10610)	34500 (10110)	-			
	40 (4.4)		38900 (11400)	37400 (10960)	35900 (10520)	34400 (10080)	32900 (9640)	31400 (9200)	29900 (8760)			
	35 (1.7)		35300 (10350)	33900 (9940)	32500 (9520)	31100 (9110)	29800 (8730)	28400 (8320)	27000 (7910)			
	30 (-1.1)		31700 (9290)	30500 (8940)	29200 (8560)	28000 (8210)	26700 (7820)	25400 (7440)	24100 (7060)			
	25 (-3.9)		28400 (8320)	27200 (7970)	26100 (7650)	24900 (7300)	23800 (6980)	22600 (6620)	21400 (6270)			
	20 (-6.7)		25200 (7390)	24200 (7090)	23100 (6770)	22100 (6480)	21000 (6150)	19900 (5830)	18800 (5510)			
	15 (-9.4)		22300 (6540)	21300 (6240)	20400 (5980)	19400 (5690)	18400 (5390)	17400 (5100)	16400 (4810)			
10 (-12.2)		19600 (5740)	18700 (5480)	17800 (5220)	16900 (4950)	16000 (4690)	15100 (4430)	14100 (4130)				
TEHT030H7 Compressor Model AVA5538WX	45 (7.2)		47500 (13920)	45800 (13420)	44000 (12900)	42300 (12400)	40600 (11900)	38900 (11400)	37100 (10870)			
	40 (4.4)		43000 (12600)	41400 (12130)	39800 (11660)	38300 (11220)	36700 (10760)	35100 (10290)	33500 (9820)			
	35 (1.7)		38700 (11340)	37300 (10930)	35800 (10490)	34400 (10080)	32900 (9640)	31500 (9230)	30000 (8790)			
	30 (-1.1)		34600 (10140)	33300 (9760)	32000 (9380)	30600 (8970)	29300 (8590)	28000 (8210)	26700 (7820)			
	25 (-3.9)		30700 (9000)	29500 (8650)	28400 (8320)	27200 (7970)	25900 (7590)	24700 (7240)	23500 (6890)			
	20 (-6.7)		27100 (7940)	26100 (7650)	25000 (7330)	23900 (7000)	22800 (6680)	21700 (6360)	20500 (6010)			
	15 (-9.4)		23800 (6980)	22900 (6710)	21900 (6420)	20900 (6130)	19900 (5830)	18800 (5510)	17800 (5220)			
10 (-12.2)		20900 (6130)	20000 (5860)	19100 (5600)	18200 (5330)	17200 (5040)	16300 (4780)	15300 (4480)				
TEHT035H7 Compressor Model AVA5542WX	45 (7.2)		50200 (14710)	48400 (14180)	46500 (13630)	44700 (13100)	42900 (12570)	41100 (12050)	39400 (11550)			
	40 (4.4)		45500 (13330)	43900 (12870)	42200 (12370)	40500 (11870)	38900 (11400)	37300 (10930)	35600 (10430)			
	35 (1.7)		41200 (12070)	39700 (11630)	38100 (11170)	36600 (10730)	35100 (10290)	33600 (9850)	32100 (9410)			
	30 (-1.1)		37100 (10870)	35700 (10460)	34300 (10050)	32900 (9640)	31500 (9230)	30200 (8850)	28800 (8440)			
	25 (-3.9)		33300 (9760)	32000 (9380)	30700 (9000)	29400 (8620)	28200 (8260)	26900 (7880)	25700 (7530)			
	20 (-6.7)		29800 (8730)	28500 (8350)	27300 (8000)	26200 (7680)	25000 (7330)	23800 (6980)	22700 (6650)			
	15 (-9.4)		26400 (7740)	25300 (7410)	24200 (7090)	23100 (6770)	22000 (6450)	20900 (6130)	19900 (5830)			
10 (-12.2)		23300 (6830)	22200 (6510)	21200 (6210)	20100 (5890)	19100 (5600)	18200 (5330)	17200 (5040)				
TEHT040H7 Compressor Model AGA5553WX	45 (7.2)		60800 (17820)	58600 (17170)	56300 (16500)	54100 (15860)	51900 (15210)	49700 (14570)	47600 (13950)			
	40 (4.4)		55200 (16180)	53100 (15560)	51000 (14950)	48900 (14330)	46900 (13740)	44800 (13130)	42800 (12540)			
	35 (1.7)		49900 (14620)	47900 (14040)	45900 (13450)	44000 (12900)	42000 (12310)	40100 (11750)	38300 (11220)			
	30 (-1.1)		44800 (13130)	42900 (12570)	41100 (12050)	39200 (11490)	37500 (10990)	35700 (10460)	34000 (9960)			
	25 (-3.9)		40000 (11720)	38200 (11200)	36500 (10700)	34800 (10200)	33200 (9730)	31500 (9230)	29900 (8760)			
	20 (-6.7)		35500 (10400)	33900 (9940)	32300 (9470)	30700 (9000)	29200 (8560)	27700 (8120)	26200 (7680)			
	15 (-9.4)		31400 (9200)	29900 (8760)	28400 (8320)	27000 (7910)	25500 (7470)	24100 (7060)	22800 (6680)			
10 (-12.2)		27700 (8120)	26300 (7710)	24900 (7300)	23600 (6920)	22200 (6510)	20900 (6130)	19700 (5770)				
TEHT045H7 Compressor Model AGA5561WX	45 (7.2)		69700 (20430)	67300 (19720)	64900 (19020)	62500 (18320)	60200 (17640)	57800 (16940)	55500 (16270)			
	40 (4.4)		63200 (18520)	60900 (17850)	58700 (17200)	56400 (16530)	54200 (15880)	52100 (15270)	49900 (14620)			
	35 (1.7)		56900 (16680)	54800 (16060)	52700 (15440)	50700 (14860)	48600 (14240)	46600 (13660)	44600 (13070)			
	30 (-1.1)		51100 (14980)	49100 (14390)	47100 (13800)	45200 (13250)	43300 (12690)	41400 (12130)	39600 (11610)			
	25 (-3.9)		45600 (13360)	43700 (12810)	41900 (12280)	40100 (11750)	38400 (11250)	36600 (10730)	34900 (10230)			
	20 (-6.7)		40500 (11870)	38800 (11370)	37100 (10870)	35400 (10370)	33800 (9910)	32200 (9440)	30600 (8970)			
	15 (-9.4)		35900 (10520)	34300 (10050)	32700 (9580)	31200 (9140)	29700 (8700)	28200 (8260)	26700 (7820)			
10 (-12.2)		31800 (9320)	30300 (8880)	28800 (8440)	27400 (8030)	26000 (7620)	24600 (7210)	23200 (6800)				
TEHT050H7 Compressor Model AGA5568WX	45 (7.2)		75200 (22040)	72700 (21310)	70300 (20600)	67800 (19870)	65400 (19170)	63000 (18460)	60500 (17730)			
	40 (4.4)		68200 (19990)	65900 (19310)	63600 (18640)	61300 (17970)	59000 (17290)	56800 (16650)	54500 (15970)			
	35 (1.7)		61500 (18020)	59300 (17380)	57200 (16760)	55100 (16150)	53000 (15530)	50900 (14920)	48800 (14300)			
	30 (-1.1)		55200 (16180)	53200 (15590)	51200 (15010)	49200 (14420)	47300 (13860)	45300 (13280)	43400 (12720)			
	25 (-3.9)		49400 (14480)	47500 (13920)	45600 (13360)	43800 (12840)	42000 (12310)	40200 (11780)	38400 (11250)			
	20 (-6.7)		44000 (12900)	42200 (12370)	40500 (11870)	38800 (11370)	37100 (10870)	35400 (10370)	33800 (9910)			
	15 (-9.4)		39100 (11460)	37500 (10990)	35900 (10520)	34300 (10050)	32700 (9580)	31200 (9140)	29600 (8670)			
10 (-12.2)		34800 (10200)	33200 (9730)	31700 (9290)	30200 (8850)	28800 (8440)	27300 (8000)	25900 (7590)				

--- Outside Operating Range † Max 40°F RGT

MODEL TEH	COMPRESSOR MODEL NO.	POWER SUPPLY	COMPRESSOR		CONDENSER FAN MOTOR		UNIT		
			RLA	LRA	QTY	FLA	MCA	MOP	
TEHA005H7- *	S1	RST45C1E-CAA	115/1/60	9.4	54.5	1	1.2	13.0	20
	S2	RST45C1E-CAV	208-230/1/60	4.6	26.5	1	0.5	6.3	15
TEHA008H7- *	S1	RST55C1E-CAA	115/1/60	13.5	70.0	1	1.2	18.1	30
	S2	RST55C1E-CAV	208-230/1/60	6.1	33.7	1	0.5	8.1	15
TEHA010H7- *	S2	RST70C1E-PFV	208-230/1/60	6.9	46.0	1	0.5	9.1	15
	T3	RST70C1E-TA5	208-230/360	4.9	36.0	1	0.5	6.6	15
TEHA015H7- *	S2	CR18K6E-PFV	208-230/1/60	9.4	49.0	1	1.1	12.9	20
	T3	CR18K6E-TF5	208-230/3/60	5.4	49.0	1	1.1	7.9	15
TEHA020H7- *	S2	CR24K6E-PFV	208-230/1/60	11.2	61.0	1	1.1	15.1	25
	T3	CR24K6E-TF5	208-230/3/60	6.9	55.0	1	1.1	9.7	15
TEHA025H7- *	T4	CR24K6E-TFD	460/3/60	3.6	28.0	1	0.6	5.1	15
	S2	CR32K6E-PFV	208-230/1/60	14.4	82.0	1	1.1	19.1	30
TEHA029H7- *	T3	CR32K6E-TF5	208-230/3/60	9.0	72.0	1	1.1	12.4	20
	T4	CR32K6E-TFD	460/3/60	4.6	33.0	1	0.6	6.3	15
TEHA030H7- *	S2	CR38K6E-PFV	208-230/1/60	17.1	105.0	1	1.1	22.5	35
	T3	CR38K6E-TF5	208-230/3/60	10.7	85.0	1	1.1	14.5	25
TEHA035H7- *	T4	CR38K6E-TFD	460/3/60	5.3	42.0	1	0.6	7.2	15
	S2	CR42K6E-PFV	208-230/1/60	17.1	105.0	1	2.1	23.5	40
TEHA040H7- *	T3	CR42K6E-TF5	208-230/3/60	10.7	85.0	1	2.1	15.5	25
	T4	CR42K6E-TFD	460/3/60	5.3	42.0	1	1.1	7.7	15
TEHA040H7- *	S2	CR42K6E-PFV	208-230/1/60	18.3	102.0	1	2.1	25.0	40
	T3	CR42K6E-TF5	208-230/3/60	12.6	91.0	1	2.1	17.9	30
TEHA040H7- *	T4	CR42K6E-TFE	575/3/60	4.7	39.0	1	0.9	6.7	15
	S2	CR53KQE-PFV	208-230/1/60	26.0	140.0	1	2.1	34.6	60
TEHA050H7- *	T3	CR53KQE-TF5	208-230/3/60	16.3	107.0	1	2.1	22.5	35
	T4	CR53KQE-TFD	460/3/60	8.1	55.0	1	1.1	11.3	15
TEHA050H7- *	S2	CRNQ-050E-PFV	208-230/1/60	30.8	142.0	1	2.1	40.6	70
	T3	CRNQ-050E-TF5	208-230/3/60	19.2	130.0	1	2.1	26.1	45
TEHA050H7- *	T4	CRNQ-050E-TFD	460/3/60	8.7	65.0	1	1.1	11.9	20
	T5	CRNQ-050E-TFE	575/3/60	7.1	52.0	1	0.9	9.7	15
TEHA006E6- *	S1	RST45C1E-CAA	115/1/60	9.4	54.5	1	1.2	13.0	20
	S2	RST45C1E-CAV	208-230/1/60	4.6	26.5	1	0.5	6.3	15
TEHA008E6- *	S1	RST55C1E-CAA	115/1/60	13.5	70.0	1	1.2	18.1	30
	S2	RST55C1E-CAV	208-230/1/60	6.1	33.7	1	0.5	8.1	15
TEHA009E6- *	S1	RST64C1E-CAA	115/1/60	13.1	77.0	1	1.2	17.6	30
	S2	RST64C1E-CAV	208-230/1/60	8.0	43.0	1	0.5	10.5	15
TEHA010E6- *	S2	RST70C1E-PFV	208-230/1/60	6.9	46.0	1	0.5	9.1	15
	T3	RST70C1E-TA5	208-230/3/60	4.9	36.0	1	0.5	6.6	15
TEHA015E6- *	S2	CS10K6E-PFV	208-230/1/60	9.8	56.0	1	1.1	13.4	20
	T3	CS10K6E-TF5	208-230/3/60	6.7	51.0	1	1.1	9.5	15
TEHA020E6- *	T4	CS10K6E-TFD	460/3/60	3.2	25.0	1	0.6	4.6	15
	S2	CS12K6E-PFV	208-230/1/60	9.8	56.0	1	1.1	13.4	20
TEHA025E6- *	T3	CS12K6E-TF5	208-230/3/60	6.7	51.0	1	1.1	9.5	15
	T4	CS12K6E-TFD	460/3/60	4.2	28.0	1	0.6	5.9	15
TEHA029E6- *	S2	CS14K6E-PFV	208-230/1/60	11.2	61.0	1	1.1	15.1	25
	T3	CS14K6E-TF5	208-230/3/60	8.2	55.0	1	1.1	11.4	15
TEHA030E6- *	T4	CS14K6E-TFD	460/3/60	4.2	28.0	1	0.6	5.9	15
	S2	CS18K6E-PFV	208-230/1/60	14.4	82.0	1	1.1	19.0	30
TEHA035E6- *	T3	CS18K6E-TF5	208-230/3/60	7.9	65.5	1	1.1	11.0	15
	T4	CS18K6E-TFD	460/3/60	4.2	33.0	1	0.6	5.9	15
TEHA040E6- *	S2	CS18K6E-PFV	208-230/1/60	14.4	82.0	1	2.1	20.0	30
	T3	CS18K6E-TF5	208-230/3/60	7.9	65.5	1	2.1	12.0	15
TEHA040E6- *	T4	CS18K6E-TFD	460/3/60	4.2	33.0	1	1.1	6.4	15
	S2	CS20K6E-PFV	208-230/1/60	16.7	96.0	1	2.1	22.9	35
TEHA050E6- *	T3	CS20K6E-TF5	208-230/3/60	10.2	75.0	1	2.1	14.9	25
	T4	CS20K6E-TFD	460/3/60	4.6	40.0	1	1.1	6.8	15
TEHA006L6- *	S2	CS27K6E-PFV	208-230/1/60	21.5	95.4	1	2.1	28.9	50
	T3	CS27K6E-TF5	208-230/3/60	14.0	82.0	1	2.1	19.6	30
TEHA008L6- *	T4	CS27K6E-TFD	460/3/60	7.6	41.0	1	1.1	10.6	15
	S2	CS33K6E-PFV	208-230/1/60	27.6	125.0	1	2.1	36.6	60
TEHA010L6- *	T3	CS33K6E-TF5	208-230/3/60	16.8	102.0	1	2.1	23.1	35
	T4	CS33K6E-TFD	460/3/60	8.8	48.0	1	1.1	12.2	20
TEHA015L6- *	S1	RFT22C1E-CAA	115/1/60	7.1	54.5	1	1.2	10.1	15
	S2	RFT22C1E-CAV	208-230/1/60	4.7	29.0	1	0.5	6.4	15
TEHA020L6- *	S1	RFT26C1E-CAA	115/1/60	9.7	66.0	1	1.2	13.3	20
	S2	RFT26C1E-CAV	208-230/1/60	5.8	35.5	1	0.5	7.8	15
TEHA025L6- *	S2	CF04K6E-PFV	208-230/1/60	9.9	59.2	1	0.5	12.9	20
	T3	CF04K6E-TF5	208-230/3/60	6.1	52.0	1	0.5	8.1	15
TEHA030L6- *	S2	CF06K6E-PFV	208-230/1/60	10.3	59.2	1	0.5	13.3	20
	T3	CF06K6E-TF5	208-230/3/60	6.3	52.0	1	0.5	8.4	15
TEHA035L6- *	S2	CF06K6E-PFV	208-230/1/60	10.3	59.2	1	0.5	13.3	20
	T3	CF06K6E-TF5	208-230/3/60	6.3	52.0	1	0.5	8.4	15
TEHA040L6- *	S2	CF09K6E-PFV	208-230/1/60	15.0	87.0	1	1.1	19.9	30
	T3	CF09K6E-TF5	208-230/3/60	9.2	72.2	1	1.1	12.6	20
TEHA045L6- *	T4	CF09K6E-TFD	460/3/60	4.9	35.8	1	0.6	6.8	15
	S2	CF12K6E-PFV	208-230/1/60	18.4	105.0	1	1.1	24.1	40
TEHA050L6- *	T3	CF12K6E-TF5	208-230/3/60	11.0	85.0	1	1.1	14.9	25
	T4	CF12K6E-TFD	460/3/60	5.9	42.0	1	0.6	8.0	15

* I = Indoor, H = Outdoor. Above listed RLA value is based on UL rating method and may differ from published compressor RLA data.

MODEL TEH	COMPRESSOR MODEL NO.	POWER SUPPLY	COMPRESSOR		CONDENSER FAN MOTOR		UNIT		
			RLA	LRA	QTY	FLA	MCA	MOP	
TEHT015H7- *	S2	AWG5520WXN	208-230/1/60	9.5	52	1	1.1	13.0	20
	T3	AWG5520WXT	208-230/3/60	6.1	51	1	1.1	8.7	15
	T4	AWG5520WXG	460/3/60	3.9	25	1	0.6	5.4	15
TEHT020H7- *	S2	AWG5524WXN	208-230/1/60	11.7	60	1	1.1	15.8	25
	T3	AWG5524WXT	208-230/3/60	7.8	50	1	1.1	10.8	15
	T4	AWG5524WXG	460/3/60	3.8	25	1	0.6	5.4	15
TEHT025H7- *	S2	AWG5530WXN	208-230/1/60	13.9	70.0	1	1.1	18.5	30
	T3	AWG5530WXT	208-230/3/60	10.4	63.4	1	1.1	14.1	20
TEHT029H7- *	S2	AVA5538WXN	208-230/1/60	19.7	95	1	1.1	25.8	45
	T3	AVA5538WXT	208-230/3/60	13.5	73.4	1	1.1	17.9	30
	T4	AVA5538WXG	460/3/60	5.8	37.7	1	0.6	7.9	15
TEHT030H7- *	S2	AVA5538WXN	208-230/1/60	19.7	95	1	2.1	26.8	40
	T3	AVA5538WXT	208-230/3/60	13.5	73.4	1	2.1	18.9	30
	T4	AVA5538WXG	460/3/60	5.8	37.7	1	1.1	8.4	15
TEHT035H7- *	S2	AVA5542WXA	208-230/1/60	22.1	108.0	1	2.1	29.7	50
	T3	AVA5542WXT	208-230/3/60	13.7	74	1	2.1	19.2	30
	T4	AVA5542WXG	460/3/60	6.2	37	1	1.1	8.8	15
TEHT040H7- *	S2	AGA5553WXN	208-230/1/60	28.5	132	1	2.1	37.8	60
	T3	AGA5553WXT	208-230/3/60	16.5	103	1	2.1	22.7	35
TEHT045H7- *	S2	AGA5561WXN	208-230/1/60	30.5	165	1	2.1	40.2	70
	T3	AGA5561WXT	208-230/3/60	18.8	126	1	2.1	25.6	40
TEHT050H7- *	S2	AGA5568WXN	208-230/1/60	34.6	179	1	2.1	45.4	80
	T3	AGA5568WXT	208-230/3/60	21.5	135	1	2.1	29.0	50
TEHT006M6- *	S2	AKA9451ZXD	208-230/1/60	5.9	31	1	0.5	7.9	15
TEHT008M6- *	S2	AKA9455ZXD	208-230/1/60	5.8	31	1	0.5	7.8	15
TEHT010M6- *	S2	AKA9462ZXD	208-230/1/60	6.3	34	1	0.5	8.4	15
TEHT015M6- *	S2	AWA9490ZNX	208-230/1/60	10.6	52	1	1.1	14.4	25
	T3	AWA9490ZXT	208-230/3/60	6.7	51	1	1.1	9.5	15
	T4	AWA9490ZYG	460/3/60	3.8	25	1	0.6	5.4	15
TEHT020M6- *	S2	AWA7512ZXD	208-230/1/60	12.8	73	1	1.1	17.1	25
	T3	AWA7512ZXT	208-230/3/60	8.3	63.4	1	1.1	11.5	15
TEHT025M6- *	S2	AWA7515ZXD	208-230/1/60	16.0	96.8	1	1.1	21.1	35
	T3	AWA7515ZXT	208-230/3/60	8.3	63.4	1	1.1	11.5	15
TEHT030M6- *	S2	AVA9519ZNX	208-230/1/60	20.3	95	1	2.1	27.5	40
	T3	AVA9519ZXT	208-230/3/60	13.8	73.4	1	2.1	19.3	30
	T4	AVA9519ZYG	460/3/60	5.8	37.7	1	1.1	8.4	15
TEHT035M6- *	S2	AVA9522ZNX	208-230/1/60	22.6	108	1	2.1	30.4	50
	T3	AVA9522ZXT	208-230/3/60	15.7	74	1	2.1	21.7	35
	T4	AVA9522ZYG	460/3/60	6.0	37	1	1.1	8.6	15
TEHT036M6- *	S2	AVA7524ZNX	208-230/1/60	21.3	106.6	1	2.1	28.8	50
	T3	AVA7524ZXT	208-230/3/60	11.3	65.1	1	2.1	16.3	25
	T4	AVA7524ZYG	460/3/60	6.3	38.3	1	1.1	9.0	15
TEHT040M6- *	S2	AVA9528ZNX	208-230/1/60	30.3	132	1	2.1	40.0	70
	T3	AVA9528ZXT	208-230/3/60	19.3	110	1	2.1	26.2	45
TEHT050M6- *	S2	AGA9530ZNX	208-230/1/60	34.5	165	1	2.1	45.2	70
	T3	AGA9530ZXT	208-230/3/60	18.7	126	1	2.1	25.5	40
	T4	AGA9530ZYG	460/3/60	9.0	62	1	1.1	12.4	20
TEHT060M6- *	S2	AGA9534ZNX	208-230/1/60	39.8	179	1	2.1	51.9	90
	T3	AGA9534ZXT	208-230/3/60	22.9	135	1	2.1	30.7	50
TEHT008L6- *	S2	AJA2425ZXD	208-230/1/60	4.5	38.7	1	0.5	6.1	15
TEHT010L6- *	S2	AWA2440ZXD	208-230/1/60	8.7	73	1	0.5	11.3	20
	T3	AWA2440ZXT	208-230/3/60	4.9	40.5	1	0.5	6.7	15
TEHT011L6- *	S2	AWA2450ZXD	208-230/1/60	9.4	56.0	1	0.5	12.3	20
	T3	AWA2450ZXT	208-230/3/60	5.8	40.5	1	0.5	7.8	15
TEHT020L6- *	S2	AWA2460ZXD	208-230/1/60	12.6	86	1	0.5	16.2	25
	T3	AWA2460ZXT	208-230/3/60	8.3	63.4	1	0.5	10.9	15
TEHT025L6- *	S2	AVA2490ZNX	208-230/1/60	16.2	106.6	1	1.1	21.4	35
	T3	AVA2490ZXT	208-230/3/60	9.9	65.1	1	1.1	13.4	20
	T4	AVA2490ZYG	460/3/60	5.3	38.3	1	0.6	7.3	15
TEHT030L6- *	S2	AVA2512ZNX	208-230/1/60	20.8	120.3	1	1.1	27.1	40
	T3	AVA2512ZXT	208-230/3/60	11.0	65.1	1	1.1	14.8	25
	T4	AVA2512ZYG	460/3/60	6.2	38.3	1	0.6	8.3	15

* I = Indoor, H = Outdoor. Above listed RLA value is based on UL rating method and may differ from published compressor RLA data.

MODEL TEH	COMPRESSOR MODEL NO.	POWER SUPPLY	COMPRESSOR		ECM CONDENSER FAN		UNIT		
			RLA	LRA	QTY	FLA	MCA	MOP	
TEHA005H7-*	S2B	RST45C1E-CAV	208-230/1/60	4.6	26.5	1	1.0	6.8	15
TEHA008H7-*	S2B	RST55C1E-CAV	208-230/1/60	6.1	33.7	1	1.0	8.6	15
TEHA010H7-*	S2B	RST70C1E-PFV	208-230/1/60	6.9	46.0	1	1.0	9.6	15
	T3B	RST70C1E-TFC	208-230/3/60	4.9	36.0	1	1.0	7.1	15
TEHA015H7-*	S2B	CR18K6E-PFV	208-230/1/60	9.4	49.0	1	2.0	13.8	20
	T3B	CR18K6E-TF5	208-230/3/60	5.4	49.0	1	2.0	8.8	15
TEHA020H7-*	S2B	CR24K6E-PFV	208-230/1/60	11.2	61.0	1	2.0	16.0	25
	T3B	CR24K6E-TF5	208-230/3/60	6.9	55.0	1	2.0	10.6	15
TEHA025H7-*	S2B	CR32K6E-PFV	208-230/1/60	14.4	82.0	1	2.0	20.0	30
	T3B	CR32K6E-TF5	208-230/3/60	9.0	72.0	1	2.0	13.3	20
TEHA029H7-*	S2B	CR38K6E-PFV	208-230/1/60	17.1	105.0	1	2.0	23.4	40
	T3B	CR38K6E-TF5	208-230/3/60	10.7	85.0	1	2.0	15.4	25
TEHA030H7-*	S2B	CR38K6E-PFV	208-230/1/60	17.1	105.0	1	3.5	24.9	40
	T3B	CR38K6E-TF5	208-230/3/60	10.7	85.0	1	3.5	16.9	25
TEHA035H7-*	S2B	CR42K6E-PFV	208-230/1/60	18.3	102.0	1	3.5	26.4	40
	T3B	CR42K6E-TF5	208-230/3/60	12.6	91.0	1	3.5	19.3	30
TEHA040H7-*	S2B	CR53KQE-PFV	208-230/1/60	26.0	140.0	1	3.5	36.0	60
	T3B	CR53KQE-TF5	208-230/3/60	16.3	107.0	1	3.5	23.9	40
TEHA050H7-*	S2B	CRN0-050E-PFV	208-230/1/60	30.8	142.0	1	3.5	42.0	70
	T3B	CRN0-050E-TF5	208-230/3/60	19.2	130.0	1	3.5	27.5	45
TEHA006E6-*	S2B	RST45C1E-CAV	208-230/1/60	4.6	26.5	1	1.0	6.8	15
TEHA008E6-*	S2B	RST55C1E-CAV	208-230/1/60	6.1	33.7	1	1.0	8.6	15
TEHA009E6-*	S2B	RST64C1E-CAV	208-230/1/60	8.1	43.0	1	1.0	11.1	15
TEHA010E6-*	S2B	RST70C1E-PFV	208-230/1/60	6.9	46.0	1	1.0	9.6	15
	T3B	RST70C1E-TFC	208-230/3/60	4.9	36.0	1	1.0	7.1	15
TEHA015E6-*	S2B	CS10K6E-PFV	208-230/1/60	9.8	56.0	1	2.0	14.3	20
	T3B	CS10K6E-TF5	208-230/3/60	6.7	51.0	1	2.0	10.4	15
TEHA020E6-*	S2B	CS12K6E-PFV	208-230/1/60	9.8	56.0	1	2.0	14.3	20
	T3B	CS12K6E-TF5	208-230/3/60	6.7	51.0	1	2.0	10.4	15
TEHA025E6-*	S2B	CS14K6E-PFV	208-230/1/60	11.2	61.0	1	2.0	16.0	25
	T3B	CS14K6E-TF5	208-230/3/60	8.2	55.0	1	2.0	12.3	20
TEHA029E6-*	S2B	CS18K6E-PFV	208-230/1/60	14.4	82.0	1	2.0	19.9	30
	T3B	CS18K6E-TF5	208-230/3/60	9.4	65.5	1	2.0	13.8	20
TEHA030E6-*	S2B	CS18K6E-PFV	208-230/1/60	14.4	82.0	1	3.5	21.4	35
	T3B	CS18K6E-TF5	208-230/3/60	9.4	65.5	1	3.5	15.3	20
TEHA035E6-*	S2B	CS20K6E-PFV	208-230/1/60	16.7	96.0	1	3.5	24.3	40
	T3B	CS20K6E-TF5	208-230/3/60	10.2	75.0	1	3.5	16.3	25
TEHA040E6-*	S2B	CS27K6E-PFV	208-230/1/60	21.5	121.0	1	3.5	30.3	50
	T3B	CS27K6E-TF5	208-230/3/60	14.0	105.0	1	3.5	21.0	35
TEHA050E6-*	S2B	CS33K6E-PFV	208-230/1/60	27.6	125.0	1	3.5	38.0	60
	T3B	CS33K6E-TF5	208-230/3/60	16.8	102.0	1	3.5	24.5	40
TEHA006L6-*	S2B	RFT22C1E-CAV	208-230/1/60	4.7	29.0	1	1.0	6.9	15
TEHA008L6-*	S2B	RFT26C1E-CAV	208-230/1/60	5.8	35.5	1	1.0	8.3	15
TEHA010L6-*	S2B	CF04K6E-PFV	208-230/1/60	8.6	59.2	1	1.0	11.8	20
	T3B	CF04K6E-TF5	208-230/3/60	5.7	52.0	1	1.0	8.1	15
TEHA015L6-*	S2B	CF06K6E-PFV	208-230/1/60	10.3	59.2	1	1.0	13.8	20
	T3B	CF06K6E-TF5	208-230/3/60	6.3	52.0	1	1.0	8.9	15
TEHA020L6-*	S2B	CF06K6E-PFV	208-230/1/60	10.3	59.2	1	1.0	13.8	20
	T3B	CF06K6E-TF5	208-230/3/60	6.3	52.0	1	1.0	8.9	15
TEHA025L6-*	S2B	CF09K6E-PFV	208-230/1/60	15.0	87.0	1	2.0	20.8	35
	T3B	CF09K6E-TF5	208-230/3/60	9.2	72.2	1	2.0	13.5	20
TEHA030L6-*	S2B	CF12K6E-PFV	208-230/1/60	18.4	105.0	1	2.0	25.0	40
	T3B	CF12K6E-TF5	208-230/3/60	11.0	85.0	1	2.0	15.8	25

* I = Indoor, H = Outdoor. Above listed RLA value is based on UL rating method and may differ from published compressor RLA data.

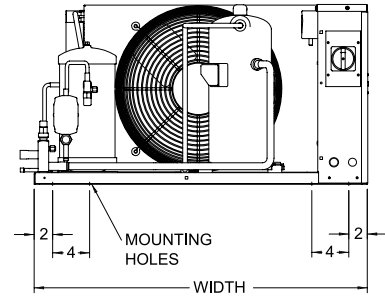
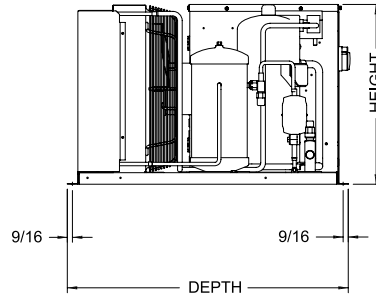
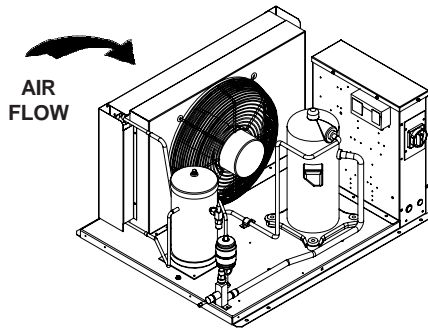
† Applies to units with variable speed EC motors or SmartSpeed (1/2 - 5 HP only). Contact factory for details.

MODEL TEH	COMPRESSOR MODEL NO.	POWER SUPPLY	COMPRESSOR		ECM CONDENSER FAN		UNIT		
			RLA	LRA	QTY	FLA	MCA	MOP	
TEHT015H7-*	S2B	AWG5520WXN	208-230/1/60	9.5	52	1	2.0	13.9	20
	T3B	AWG5520WXT	208-230/3/60	6.1	51	1	2.0	9.6	15
TEHT020H7-*	S2B	AWG5524WXN	208-230/1/60	11.7	60	1	2.0	16.7	25
	T3B	AWG5524WXT	208-230/3/60	7.8	50	1	2.0	11.7	15
TEHT025H7-*	S2B	AWG5530WXN	208-230/1/60	13.9	70.0	1	2.0	19.4	30
	T3B	AWG5530WXT	208-230/3/60	10.4	63.4	1	2.0	15.0	25
TEHT029H7-*	S2B	AVA5538WXN	208-230/1/60	19.7	95	1	2.0	26.7	45
	T3B	AVA5538WXT	208-230/3/60	13.5	73.4	1	2.0	18.8	30
TEHT030H7-*	S2B	AVA5538WXN	208-230/1/60	19.7	95	1	3.5	28.2	40
	T3B	AVA5538WXT	208-230/3/60	13.5	73.4	1	3.5	20.3	30
TEHT035H7-*	S2B	AVA5542WXA	208-230/1/60	22.1	108.0	1	3.5	31.1	50
	T3B	AVA5542WXT	208-230/3/60	13.7	74	1	3.5	20.6	30
TEHT040H7-*	S2B	AGA5553WXN	208-230/1/60	28.5	132	1	3.5	39.2	60
	T3B	AGA5553WXT	208-230/3/60	16.5	103	1	3.5	24.1	40
TEHT045H7-*	S2B	AGA5561WXN	208-230/1/60	30.5	165	1	3.5	41.6	70
	T3B	AGA5561WXT	208-230/3/60	18.8	126	1	3.5	27.0	40
TEHT050H7-*	S2B	AGA5568WXN	208-230/1/60	34.6	179	1	3.5	46.8	80
	T3B	AGA5568WXT	208-230/3/60	21.5	135	1	3.5	30.4	50
TEHT006M6-*	S2B	AKA9451ZXD	208-230/1/60	5.9	31	1	1.0	8.4	15
TEHT008M6-*	S2B	AKA9455ZXD	208-230/1/60	5.8	31	1	1.0	8.3	15
TEHT010M6-*	S2B	AKA9462ZXD	208-230/1/60	6.3	34	1	1.0	8.9	15
TEHT015M6-*	S2B	AWA9490ZXN	208-230/1/60	10.6	52	1	2.0	15.3	25
	T3B	AWA9490ZXT	208-230/3/60	6.7	51	1	2.0	10.4	15
TEHT020M6-*	S2B	AWA7512ZXD	208-230/1/60	12.8	73	1	2.0	18.0	30
	T3B	AWA7512ZXT	208-230/3/60	8.3	63.4	1	2.0	12.4	20
TEHT025M6-*	S2B	AWA7515ZXD	208-230/1/60	16.0	96.8	1	2.0	22.0	35
	T3B	AWA7515ZXT	208-230/3/60	8.3	63.4	1	2.0	12.4	20
TEHT030M6-*	S2B	AVA9519ZXN	208-230/1/60	20.3	95	1	3.5	28.9	40
	T3B	AVA9519ZXT	208-230/3/60	13.8	73.4	1	3.5	20.7	30
TEHT035M6-*	S2B	AVA9522ZXN	208-230/1/60	22.6	108	1	3.5	31.8	50
	T3B	AVA9522ZXT	208-230/3/60	15.7	74	1	3.5	23.1	35
TEHT036M6-*	S2B	AVA7524ZXN	208-230/1/60	21.3	106.6	1	3.5	30.2	50
	T3B	AVA7524ZXT	208-230/3/60	11.3	65.1	1	3.5	17.7	25
TEHT040M6-*	S2B	AVA9528ZXN	208-230/1/60	30.3	132	1	3.5	41.4	70
	T3B	AVA9528ZXT	208-230/3/60	19.3	110	1	3.5	27.6	45
TEHT050M6-*	S2B	AGA9530ZXN	208-230/1/60	34.5	165	1	3.5	46.6	80
	T3B	AGA9530ZXT	208-230/3/60	18.7	126	1	3.5	26.9	40
TEHT060M6-*	S2B	AGA9534ZXN	208-230/1/60	39.8	179	1	3.5	53.3	90
	T3B	AGA9534ZXT	208-230/3/60	22.9	135	1	3.5	32.1	50
TEHT008L6-*	S2B	AJA2425ZXD	208-230/1/60	4.5	38.7	1	1.0	6.6	15
TEHT010L6-*	S2B	AWA2440ZXD	208-230/1/60	8.7	73	1	1.0	11.8	20
	T3B	AWA2440ZXT	208-230/3/60	4.9	40.5	1	1.0	7.2	15
TEHT011L6-*	S2B	AWA2450ZXD	208-230/1/60	9.4	56.0	1	1.0	12.8	20
	T3B	AWA2450ZXT	208-230/3/60	5.8	40.5	1	1.0	8.3	15
TEHT020L6-*	S2B	AWA2460ZXD	208-230/1/60	12.6	86	1	1.0	16.7	25
	T3B	AWA2460ZXT	208-230/3/60	8.3	63.4	1	1.0	11.4	15
TEHT025L6-*	S2B	AVA2490ZXN	208-230/1/60	16.2	106.6	1	2.0	22.3	35
	T3B	AVA2490ZXT	208-230/3/60	9.9	65.1	1	2.0	14.3	20
TEHT030L6-*	S2B	AVA2512ZXN	208-230/1/60	20.8	120.3	1	2.0	28.0	40
	T3B	AVA2512ZXT	208-230/3/60	11.0	65.1	1	2.0	15.7	25

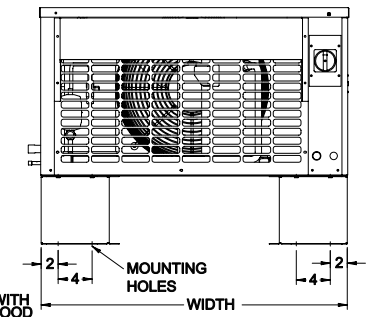
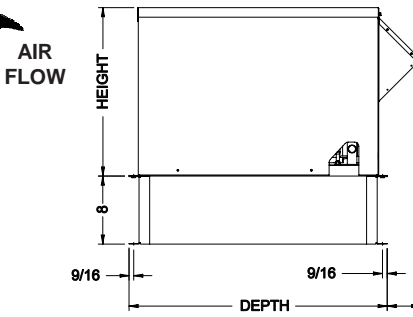
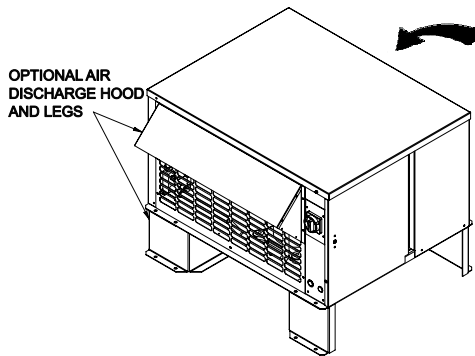
* I = Indoor, H = Outdoor. Above listed RLA value is based on UL rating method and may differ from published compressor RLA data.

† Applies to units with variable speed EC motors or SmartSpeed (1/2 - 5 HP only). Contact factory for details.

DRAWING #1

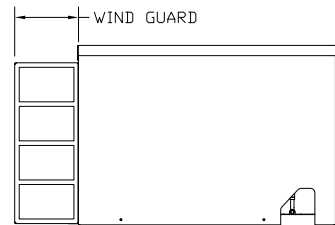
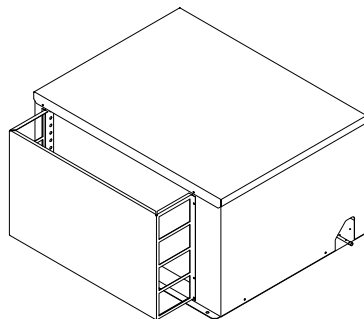


INDOOR DIMENSIONS



OUTDOOR DIMENSIONS

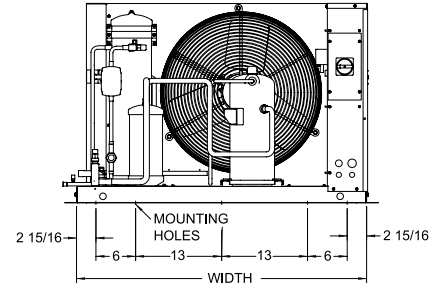
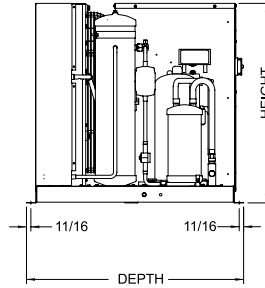
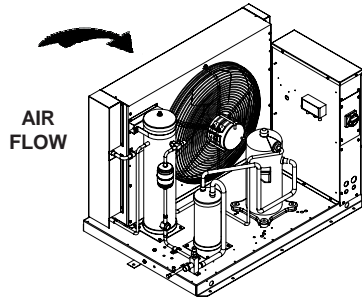
NOTE: Discharge hood, legs and wind guard are optional components



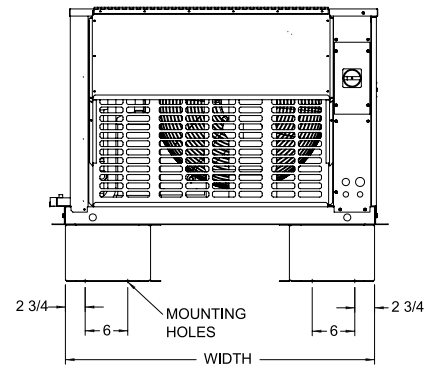
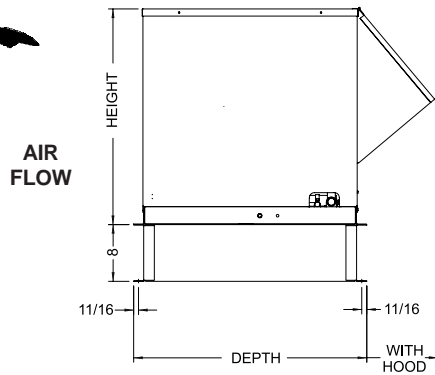
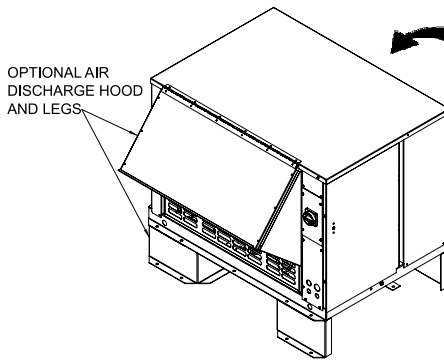
**REFER TO PAGES 24-25 FOR
DIMENSIONAL DATA FOR SPECIFIC MODELS**

DIMENSIONAL DATA (Large Chassis Models)

DRAWING #2

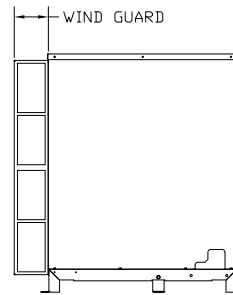
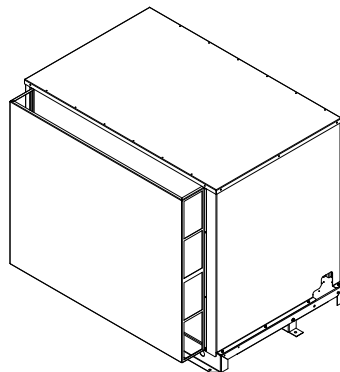


INDOOR DIMENSIONS



OUTDOOR DIMENSIONS

NOTE: Discharge hood, legs and wind guard are optional components



REFER TO PAGES 24-25 FOR
DIMENSIONAL DATA FOR SPECIFIC MODELS

DIMENSIONAL DATA
COPELAND MODELS

MODEL TEH	CHASSIS	DRAWING # (see table below)	OUTDOOR MODELS										INDOOR MODELS					
			WIDTH		DEPTH						HEIGHT		WIDTH		DEPTH		HEIGHT	
					Base		With Hood, add:		Wind Guard, add:									
Inches	mm	Inches	mm	Inches	mm	Inches	mm	Inches	mm	Inches	mm	Inches	mm	Inches	mm	Inches	mm	
TEHA005H7	A	1	24 7/8	632	30 3/8	772	4	102	6	152	24 7/8	632	30 3/8	772	34 3/8	873	16 7/8	429
TEHA008H7		1	24 7/8	632	30 3/8	772	4	102	6	152	24 7/8	632	30 3/8	772	34 3/8	873	16 7/8	429
TEHA010H7		1	24 7/8	632	30 3/8	772	4	102	6	152	24 7/8	632	30 3/8	772	34 3/8	873	16 7/8	429
TEHA015H7	B	1	36 3/8	924	30 3/8	772	4	102	7	178	19 7/8	505	36 1/8	918	30 3/8	772	19 1/2	495
TEHA020H7		1	36 3/8	924	30 3/8	772	4	102	7	178	19 7/8	505	36 1/8	918	30 3/8	772	19 1/2	495
TEHA025H7		1	36 3/8	924	30 3/8	772	4	102	7	178	19 7/8	505	36 1/8	918	30 3/8	772	19 1/2	495
TEHA029H7	C	1	36 3/8	924	30 3/8	772	4	102	7	178	19 7/8	505	36 1/8	918	30 3/8	772	19 1/2	495
TEHA030H7		2	43 7/8	1114	32 7/8	835	10 1/8	257	8	203	30 3/8	772	43 7/8	1114	32 7/8	835	30 3/16	767
TEHA035H7		2	43 7/8	1114	32 7/8	835	10 1/8	257	8	203	30 3/8	772	43 7/8	1114	32 7/8	835	30 3/16	767
TEHA040H7	C	2	43 7/8	1114	32 7/8	835	10 1/8	257	8	203	30 3/8	772	43 7/8	1114	32 7/8	835	30 3/16	767
TEHA050H7		2	43 7/8	1114	32 7/8	835	10 1/8	257	8	203	30 3/8	772	43 7/8	1114	32 7/8	835	30 3/16	767
TEHA006E6	A	1	24 7/8	632	30 3/8	772	4	102	6	152	16 7/8	429	24 5/8	625	30 3/8	772	16 1/2	419
TEHA008E6		1	24 7/8	632	30 3/8	772	4	102	6	152	16 7/8	429	24 5/8	625	30 3/8	772	16 1/2	419
TEHA009E6		1	24 7/8	632	30 3/8	772	4	102	6	152	16 7/8	429	24 5/8	625	30 3/8	772	16 1/2	419
TEHA010E6	B	1	24 7/8	632	30 3/8	772	4	102	6	152	16 7/8	429	24 5/8	625	30 3/8	772	16 1/2	419
TEHA015E6		1	36 3/8	924	30 3/8	772	4	102	7	178	19 7/8	505	36 1/8	918	30 3/8	772	19 1/2	495
TEHA020E6		1	36 3/8	924	30 3/8	772	4	102	7	178	19 7/8	505	36 1/8	918	30 3/8	772	19 1/2	495
TEHA025E6	B	1	36 3/8	924	30 3/8	772	4	102	7	178	19 7/8	505	36 1/8	918	30 3/8	772	19 1/2	495
TEHA029E6		1	36 3/8	924	30 3/8	772	4	102	7	178	19 7/8	505	36 1/8	918	30 3/8	772	19 1/2	495
TEHA030E6	C	2	43 7/8	1114	32 7/8	835	10 1/8	257	8	203	30 3/8	772	43 7/8	1114	32 7/8	835	30 3/16	767
TEHA035E6		2	43 7/8	1114	32 7/8	835	10 1/8	257	8	203	30 3/8	772	43 7/8	1114	32 7/8	835	30 3/16	767
TEHA040E6		2	43 7/8	1114	32 7/8	835	10 1/8	257	8	203	30 3/8	772	43 7/8	1114	32 7/8	835	30 3/16	767
TEHA050E6		2	43 7/8	1114	32 7/8	835	10 1/8	257	8	203	30 3/8	772	43 7/8	1114	32 7/8	835	30 3/16	767
TEHA006L6	A	1	24 7/8	632	30 3/8	772	4	102	6	152	16 7/8	429	24 5/8	625	30 3/8	772	16 1/2	419
TEHA008L6		1	24 7/8	632	30 3/8	772	4	102	6	152	16 7/8	429	24 5/8	625	30 3/8	772	16 1/2	419
TEHA010L6		1	24 7/8	632	30 3/8	772	4	102	6	152	16 7/8	429	24 5/8	625	30 3/8	772	16 1/2	419
TEHA015L6		1	24 7/8	632	30 3/8	772	4	102	6	152	16 7/8	429	24 5/8	625	30 3/8	772	16 1/2	419
TEHA020L6	B	1	24 7/8	632	30 3/8	772	4	102	6	152	16 7/8	429	24 5/8	625	30 3/8	772	16 1/2	419
TEHA025L6		1	36 3/8	924	30 3/8	772	4	102	7	178	19 7/8	505	36 1/8	918	30 3/8	772	19 1/2	495
TEHA030L6		1	36 3/8	924	30 3/8	772	4	102	7	178	19 7/8	505	36 1/8	918	30 3/8	772	19 1/2	495

DRAWING #	PAGE #
1	22
2	23

DIMENSIONAL DATA
TECUMSEH MODELS

MODEL TEH	CHASSIS	DRAWING # (see table below)	OUTDOOR MODELS										INDOOR MODELS					
			WIDTH		DEPTH						HEIGHT		WIDTH		DEPTH		HEIGHT	
					Base		With Hood, add:		Wind Guard, add:									
			Inches	mm	Inches	mm	Inches	mm	Inches	mm	Inches	mm	Inches	mm	Inches	mm	Inches	mm
TEHT015H7	B	1	36 3/8	924	30 3/8	772	4	102	7	178	19 7/8	505	36 1/8	918	30 3/8	772	19 1/2	495
TEHT020H7		1	36 3/8	924	30 3/8	772	4	102	7	178	19 7/8	505	36 1/8	918	30 3/8	772	19 1/2	495
TEHT025H7		1	36 3/8	924	30 3/8	772	4	102	7	178	19 7/8	505	36 1/8	918	30 3/8	772	19 1/2	495
TEHT029H7		1	36 3/8	924	30 3/8	772	4	102	7	178	19 7/8	505	36 1/8	918	30 3/8	772	19 1/2	495
TEHT030H7	C	2	43 7/8	1114	32 7/8	835	10 1/8	257	8	203	30 3/8	772	43 7/8	1114	32 7/8	835	30 3/16	767
TEHT035H7		2	43 7/8	1114	32 7/8	835	10 1/8	257	8	203	30 3/8	772	43 7/8	1114	32 7/8	835	30 3/16	767
TEHT040H7		2	43 7/8	1114	32 7/8	835	10 1/8	257	8	203	30 3/8	772	43 7/8	1114	32 7/8	835	30 3/16	767
TEHT045H7		2	43 7/8	1114	32 7/8	835	10 1/8	257	8	203	30 3/8	772	43 7/8	1114	32 7/8	835	30 3/16	767
TEHT050H7	2	43 7/8	1114	32 7/8	835	10 1/8	257	8	203	30 3/8	772	43 7/8	1114	32 7/8	835	30 3/16	767	
TEHT006M6	A	1	24 7/8	632	30 3/8	772	4	102	6	152	16 7/8	429	24 5/8	625	30 3/8	772	16 1/2	419
TEHT008M6		1	24 7/8	632	30 3/8	772	4	102	6	152	16 7/8	429	24 5/8	625	30 3/8	772	16 1/2	419
TEHT010M6		1	24 7/8	632	30 3/8	772	4	102	6	152	16 7/8	429	24 5/8	625	30 3/8	772	16 1/2	419
TEHT015M6	B	1	36 3/8	924	30 3/8	772	4	102	7	178	19 7/8	505	36 1/8	918	30 3/8	772	19 1/2	495
TEHT020M6		1	36 3/8	924	30 3/8	772	4	102	7	178	19 7/8	505	36 1/8	918	30 3/8	772	19 1/2	495
TEHT025M6		1	36 3/8	924	30 3/8	772	4	102	7	178	19 7/8	505	36 1/8	918	30 3/8	772	19 1/2	495
TEHT030M6	C	2	43 7/8	1114	32 7/8	835	10 1/8	257	8	203	30 3/8	772	43 7/8	1114	32 7/8	835	30 3/16	767
TEHT035M6		2	43 7/8	1114	32 7/8	835	10 1/8	257	8	203	30 3/8	772	43 7/8	1114	32 7/8	835	30 3/16	767
TEHT036M6		2	43 7/8	1114	32 7/8	835	10 1/8	257	8	203	30 3/8	772	43 7/8	1114	32 7/8	835	30 3/16	767
TEHT040M6		2	43 7/8	1114	32 7/8	835	10 1/8	257	8	203	30 3/8	772	43 7/8	1114	32 7/8	835	30 3/16	767
TEHT050M6	2	43 7/8	1114	32 7/8	835	10 1/8	257	8	203	30 3/8	772	43 7/8	1114	32 7/8	835	30 3/16	767	
TEHT060M6	D	2	52 1/8	1324	35 7/8	911	10 1/8	257	6	152	41 7/8	1064	52 1/8	1324	35 7/8	911	41 11/16	1059
TEHT008L6	A	1	24 7/8	632	30 3/8	772	4	102	6	152	16 7/8	429	24 5/8	625	30 3/8	772	16 1/2	419
TEHT010L6		1	24 7/8	632	30 3/8	772	4	102	6	152	16 7/8	429	24 5/8	625	30 3/8	772	16 1/2	419
TEHT011L6		1	24 7/8	632	30 3/8	772	4	102	6	152	16 7/8	429	24 5/8	625	30 3/8	772	16 1/2	419
TEHT020L6		1	24 7/8	632	30 3/8	772	4	102	6	152	16 7/8	429	24 5/8	625	30 3/8	772	16 1/2	419
TEHT025L6	B	1	36 3/8	924	30 3/8	772	4	102	7	178	19 7/8	505	36 1/8	918	30 3/8	772	19 1/2	495
TEHT030L6		1	36 3/8	924	30 3/8	772	4	102	7	178	19 7/8	505	36 1/8	918	30 3/8	772	19 1/2	495

DRAWING #	PAGE #
1	22
2	23

MODEL TEH	UNIT CONNECTIONS				R404A		APPROX. SHIPPING WEIGHT			
	SUCTION (OD)		LIQUID (OD)		RECEIVER CAPACITY 90% FULL *		OUTDOOR MODELS		INDOOR MODELS	
	Inches	mm	Inches	mm	Lbs.	Kgs	Lbs.	Kgs	Lbs.	Kgs
TEHA005H7	1/2	13	3/8	10	6	2.72	141	64	119	54
TEHA008H7	5/8	16	3/8	10	6	2.72	152	69	130	59
TEHA010H7	5/8	16	3/8	10	6	2.72	167	76	145	66
TEHA015H7	5/8	16	3/8	10	13	5.9	277	126	252	114
TEHA020H7	5/8	16	3/8	10	13	5.9	282	128	257	117
TEHA025H7	7/8	22	3/8	10	16	7.3	292	132	267	121
TEHA029H7	7/8	22	1/2	13	16	7.3	298	135	273	124
TEHA030H7	7/8	22	1/2	13	24	10.9	394	179	349	158
TEHA035H7	7/8	22	1/2	13	24	10.9	394	179	349	158
TEHA040H7	1 1/8	29	1/2	13	24	10.9	405	184	360	163
TEHA050H7	1 1/8	29	1/2	13	24	10.9	415	188	370	168
TEHA006E6	5/8	16	3/8	10	5.4	2.4	149	68	127	58
TEHA008E6	5/8	16	3/8	10	5.4	2.4	149	68	127	58
TEHA009E6	5/8	16	3/8	10	5.4	2.4	152	69	130	59
TEHA010E6	5/8	16	3/8	10	5.4	2.4	167	76	145	66
TEHA015E6	5/8	16	3/8	10	11.3	5.1	279	127	257	117
TEHA020E6	5/8	16	3/8	10	11.3	5.1	282	128	255	116
TEHA025E6	7/8	22	1/2	13	14.4	6.5	286	130	259	117
TEHA029E6	7/8	22	1/2	13	14.4	6.5	292	132	265	120
TEHA030E6	7/8	22	1/2	13	21.5	9.8	388	176	343	156
TEHA035E6	7/8	22	1/2	13	21.5	9.8	389	176	344	156
TEHA040E6	7/8	22	1/2	13	21.5	9.8	389	176	344	156
TEHA050E6	1 1/8	29	1/2	13	21.5	9.8	398	181	353	160
TEHA006L6	1/2	13	3/8	10	5.4	2.4	141	64	119	54
TEHA008L6	1/2	13	3/8	10	5.4	2.4	141	64	119	54
TEHA010L6	5/8	16	3/8	10	5.4	2.4	187	85	165	75
TEHA015L6	7/8	22	3/8	10	5.4	2.4	190	86	168	76
TEHA020L6	7/8	22	3/8	10	5.4	2.4	194	88	172	78
TEHA025L6	7/8	22	3/8	10	14.4	6.5	281	127	254	115
TEHA030L6	7/8	22	1/2	13	14.4	6.5	292	132	265	120

*** NOTE ON ALTERNATE REFRIGERANTS:**

* PUBLISHED RECEIVER CAPACITY IS BASED ON **R404A** ON MODELS USING "8" AS REFRIGERANT CODE.
FOR ALTERNATE REFRIGERANTS, MULTIPLY **R404A** VALUE BY THE APPROPRIATE VALUE BELOW:

R407C	R507	R22
1.10	1.00	1.15

**ANNUAL WALK-IN ENERGY
FACTOR (AWEF) RATINGS
FOR HIGH/MEDIUM TEMP. APPLICATIONS**

BASE UNIT MODEL TEH	AWEF	
	OUTDOOR MODELS	INDOOR MODELS
TEHA005H7	6.05	5.07
TEHA008H7	6.18	5.10
TEHA010H7	6.82	5.65
TEHA015H7	6.94	5.59
TEHA020H7	7.24	5.80
TEHA025H7	7.45	5.98
TEHA030H7	7.81	6.27
TEHA035H7	7.91	6.46
TEHA040H7	7.36	6.03
TEHA050H7	7.15	5.84

BASE UNIT MODEL TEH	AWEF	
	OUTDOOR MODELS	INDOOR MODELS
TEHA006E6	6.31	4.90
TEHA008E6	6.17	4.77
TEHA009E6	5.65	4.48
TEHA010E6	6.90	5.17
TEHA015E6	7.67	5.71
TEHA020E6	7.79	5.72
TEHA025E6	7.82	5.83
TEHA030E6	8.24	6.25
TEHA035E6	8.17	6.15
TEHA040E6	7.92	5.81
TEHA050E6	7.71	5.70

MODEL TEH	UNIT CONNECTIONS				R404A		APPROX. SHIPPING WEIGHT			
	SUCTION (OD)		LIQUID (OD)		RECEIVER CAPACITY 90% FULL *		OUTDOOR MODELS		INDOOR MODELS	
	Inches	mm	Inches	mm	Lbs.	Kgs	Lbs.	Kgs	Lbs.	Kgs
TEHT015H7	5/8	16	3/8	10	12	5.4	280	127	255	116
TEHT020H7	5/8	16	3/8	10	12	5.4	280	127	255	116
TEHT025H7	7/8	22	3/8	10	15	6.9	300	136	275	125
TEHT029H7	7/8	22	1/2	13	15	6.9	305	138	280	127
TEHT030H7	7/8	22	1/2	13	23	10.3	400	181	355	161
TEHT035H7	7/8	22	1/2	13	23	10.3	405	184	360	163
TEHT040H7	1 1/8	29	1/2	13	23	10.3	415	188	370	168
TEHT045H7	1 1/8	29	1/2	13	23	10.4	420	191	385	175
TEHT050H7	1 1/8	29	1/2	13	23	10.3	430	195	390	177
TEHT006M6	5/8	16	3/8	10	5.4	2.4	150	68	130	59
TEHT008M6	5/8	16	3/8	10	5.4	2.4	150	68	130	59
TEHT010M6	5/8	16	3/8	10	5.4	2.4	155	70	135	61
TEHT015M6	5/8	16	3/8	10	14.4	6.5	170	77	145	66
TEHT020M6	5/8	16	3/8	10	14.4	6.5	285	129	260	118
TEHT025M6	7/8	22	1/2	13	14.4	6.5	295	134	270	122
TEHT030M6	7/8	22	1/2	13	21.5	9.8	390	177	345	156
TEHT035M6	7/8	22	1/2	13	21.5	9.8	390	177	345	156
TEHT036M6	7/8	22	1/2	13	21.5	9.8	395	179	350	159
TEHT040M6	7/8	22	1/2	13	21.5	9.8	400	181	355	161
TEHT050M6	1 1/8	29	1/2	13	21.5	9.8	405	184	360	163
TEHT060M6	1 1/8	29	1/2	13	31.0	14.1	410	186	370	168
TEHT008L6	1/2	13	3/8	10	5.4	2.4	145	66	125	57
TEHT010L6	5/8	16	3/8	10	5.4	2.4	185	84	165	75
TEHT011L6	7/8	22	3/8	10	5.4	2.4	190	86	170	77
TEHT020L6	7/8	22	3/8	10	5.4	2.4	195	88	175	79
TEHT025L6	7/8	22	3/8	10	14.4	6.5	290	132	265	120
TEHT030L6	7/8	22	1/2	13	14.4	6.5	300	136	275	125

*** NOTE ON ALTERNATE REFRIGERANTS:**

* PUBLISHED RECEIVER CAPACITY IS BASED ON **R404A** ON MODELS USING "8" AS REFRIGERANT CODE.
FOR ALERNATE REFRIGERANTS, MULTIPLY **R404A** VALUE BY THE APPROPRIATE VALUE BELOW:

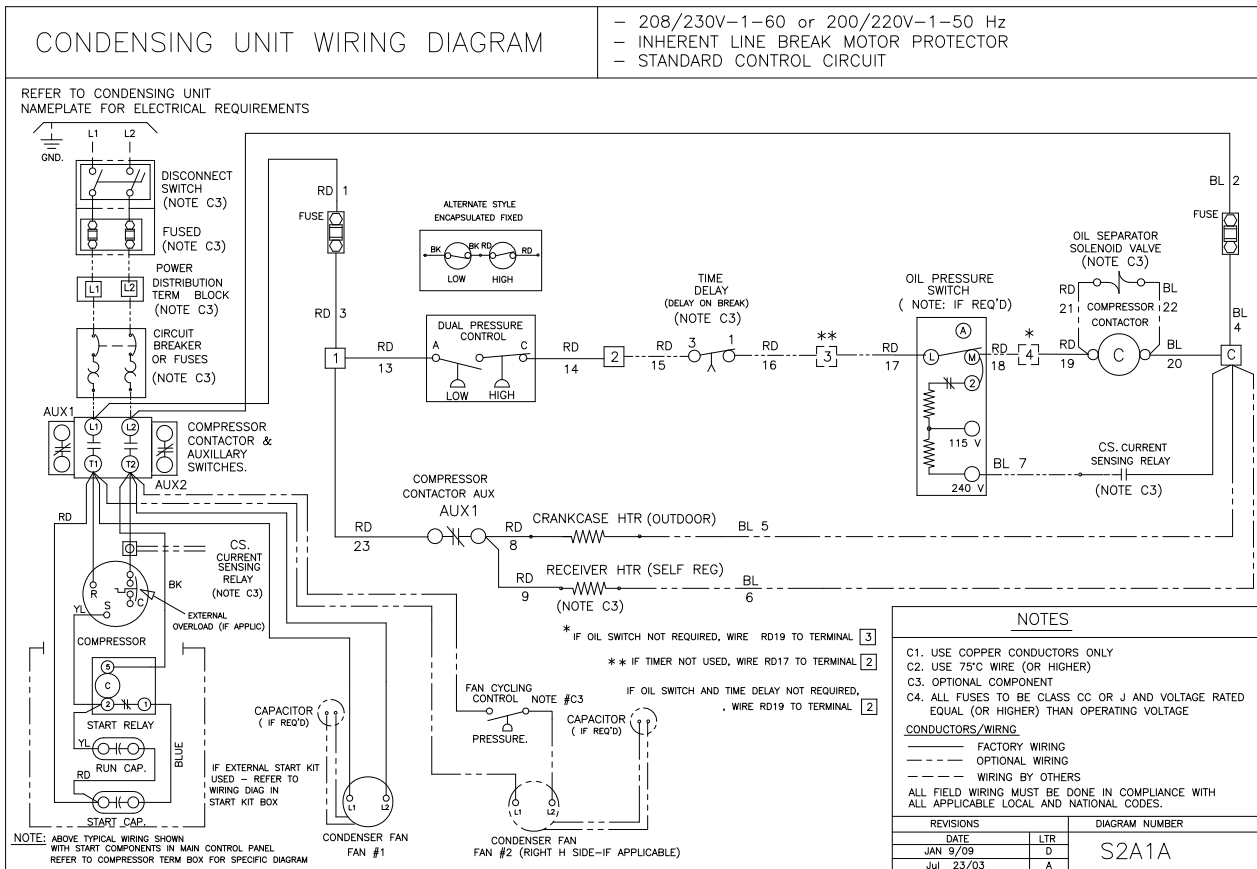
R407C	R507	R22
1.10	1.00	1.15

**ANNUAL WALK-IN ENERGY
FACTOR (AWEF) RATINGS
FOR HIGH/MEDIUM TEMP. APPLICATIONS**

BASE UNIT MODEL TEH	AWEF	
	OUTDOOR MODELS	INDOOR MODELS
TEHT015H7	6.20	5.23
TEHT020H7	5.94	5.08
TEHT025H7	6.33	5.48
TEHT029H7	6.83	5.49
TEHT030H7	6.80	5.62
TEHT035H7	6.65	5.45
TEHT040H7	6.33	5.36
TEHT045H7	6.67	5.43
TEHA050H7	5.87	5.27

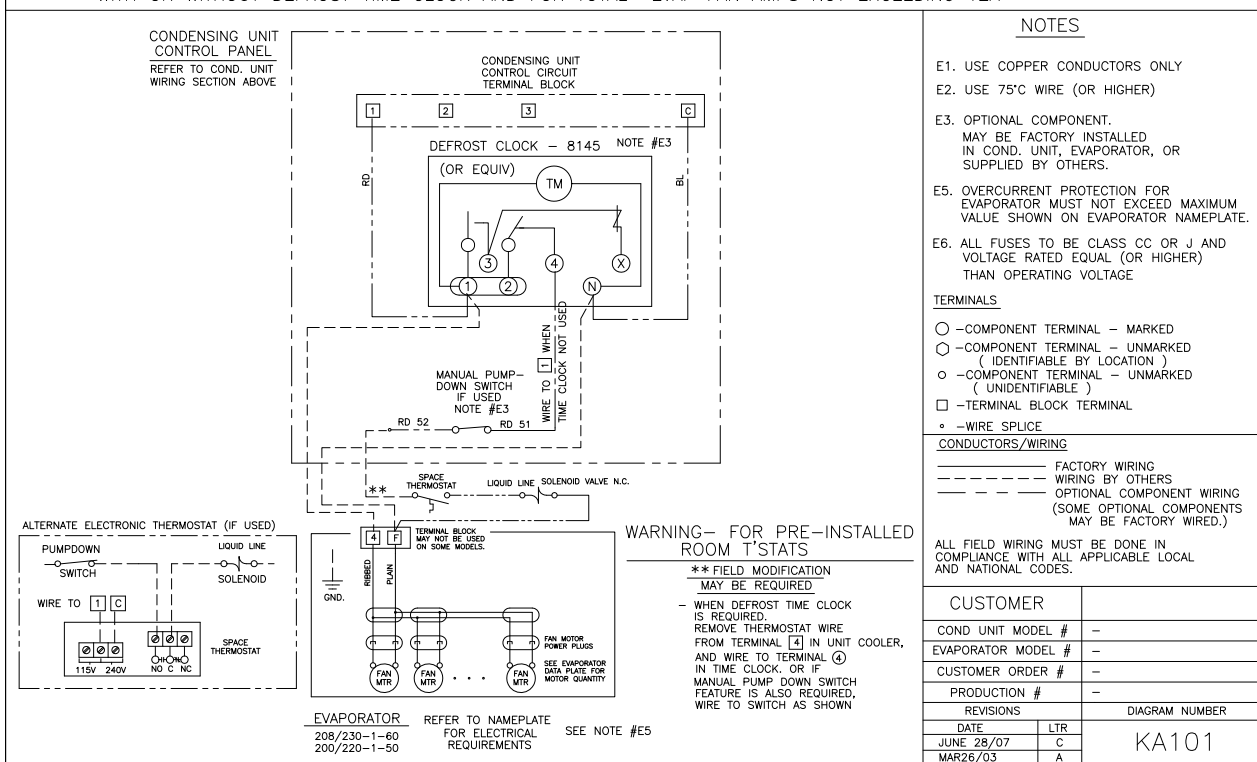
BASE UNIT MODEL TEH	AWEF	
	OUTDOOR MODELS	INDOOR MODELS
TEHT006M6	5.97	4.52
TEHT008M6	5.95	4.35
TEHT010M6	5.77	4.62
TEHT015M6	7.15	5.63
TEHT020M6	7.15	5.63
TEHT025M6	7.56	5.31
TEHT030M6	7.14	5.62
TEHT035M6	7.02	5.56
TEHT036M6	7.63	5.65
TEHT040M6	7.23	5.47
TEHT050M6	6.57	5.08
TEHT060M6	6.51	5.09

208-230/1/60

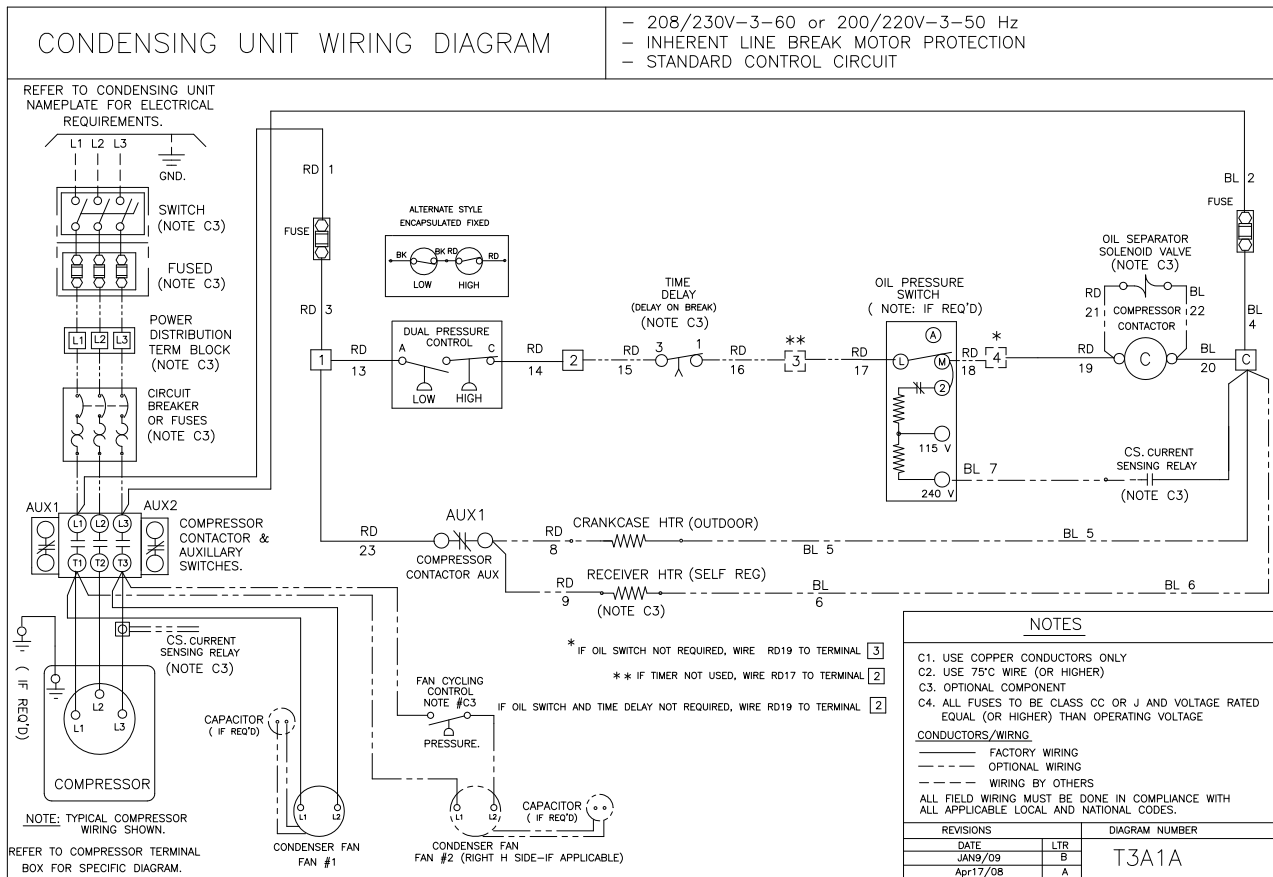


TYPICAL EVAPORATOR WIRING: FOR SINGLE AIR DEFROST EVAPORATOR— SINGLE POINT

FOR USE WITH: 208/230-1-60, 200/220-1-50 OR 208/230-3-60, 200/220-3-50 CONDENSING UNITS WITH OR WITHOUT DEFROST TIME CLOCK AND FOR TOTAL EVAP FAN AMPS NOT EXCEEDING 12A

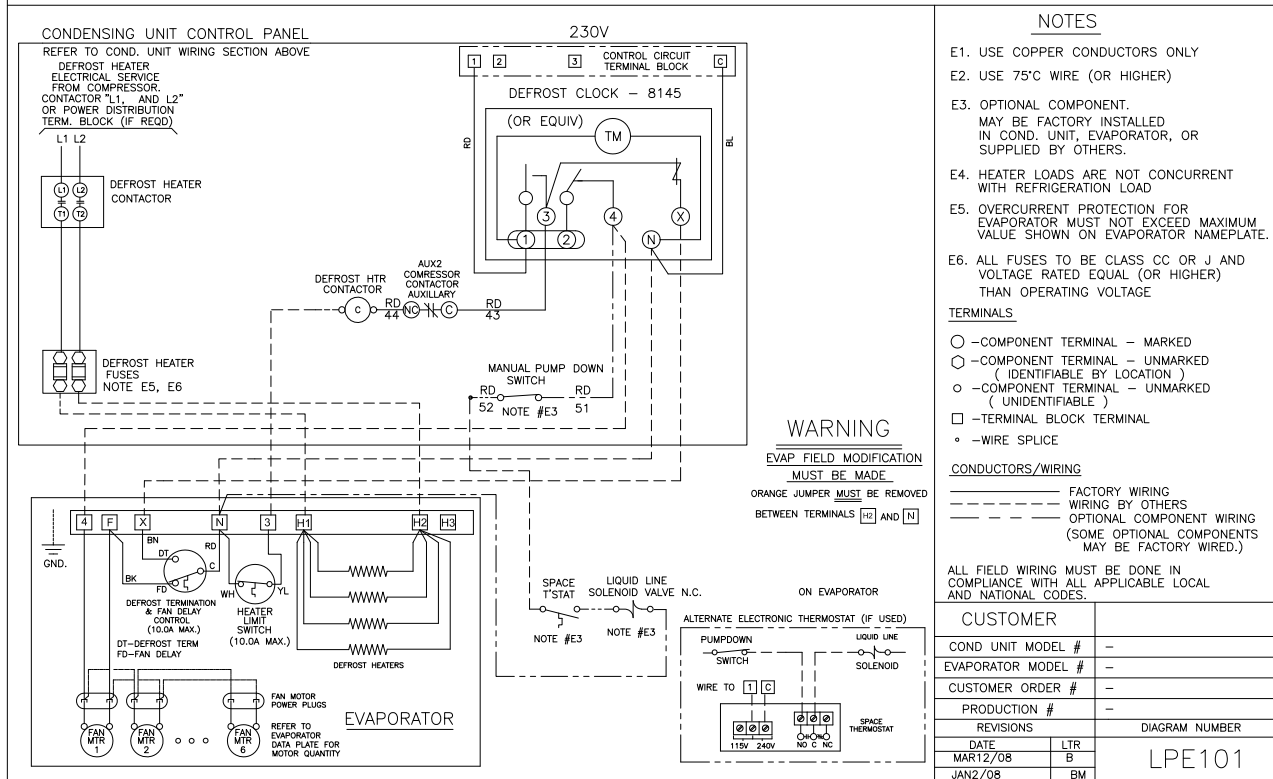


208-230/3/60

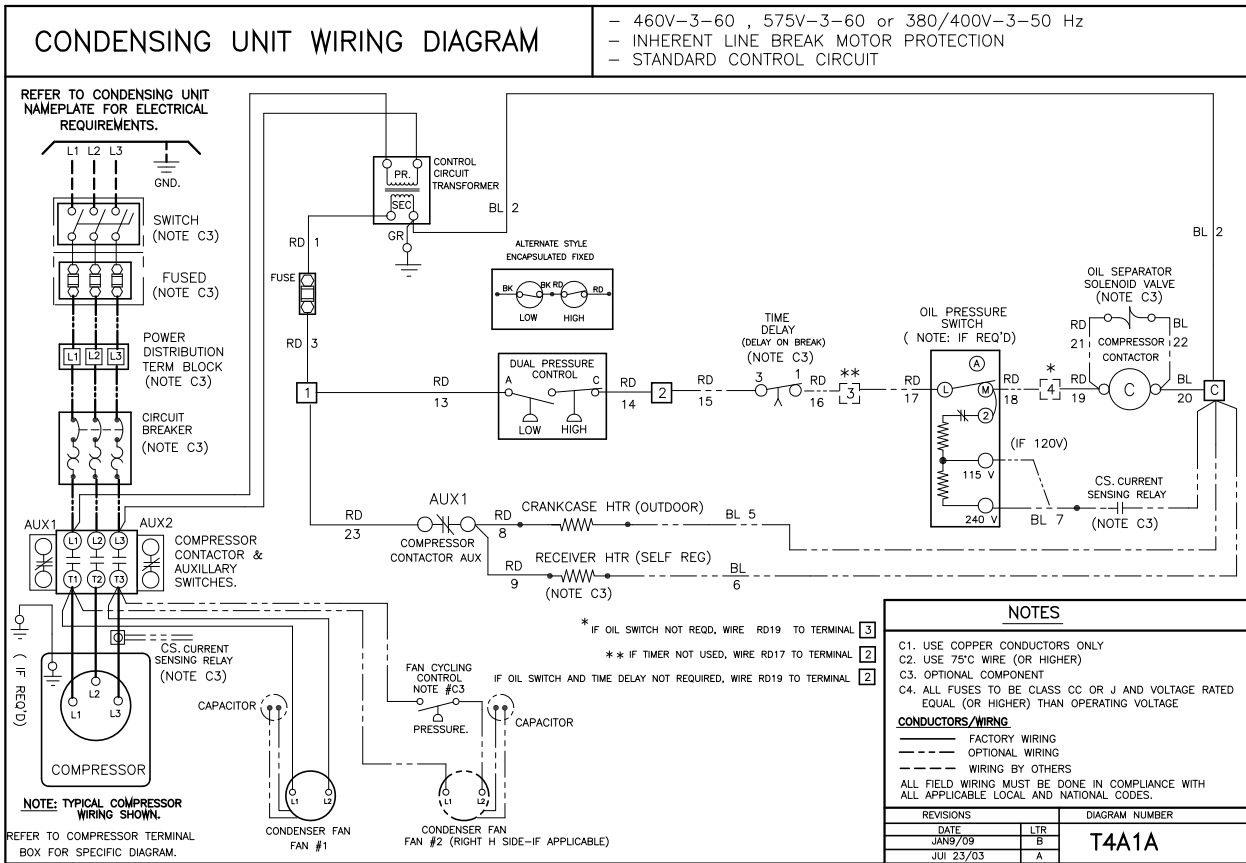


TYPICAL EVAPORATOR WIRING: FOR SINGLE LOW PROFILE ELECT 1 PHASE DEFROST EVAPORATOR—SINGLE POINT

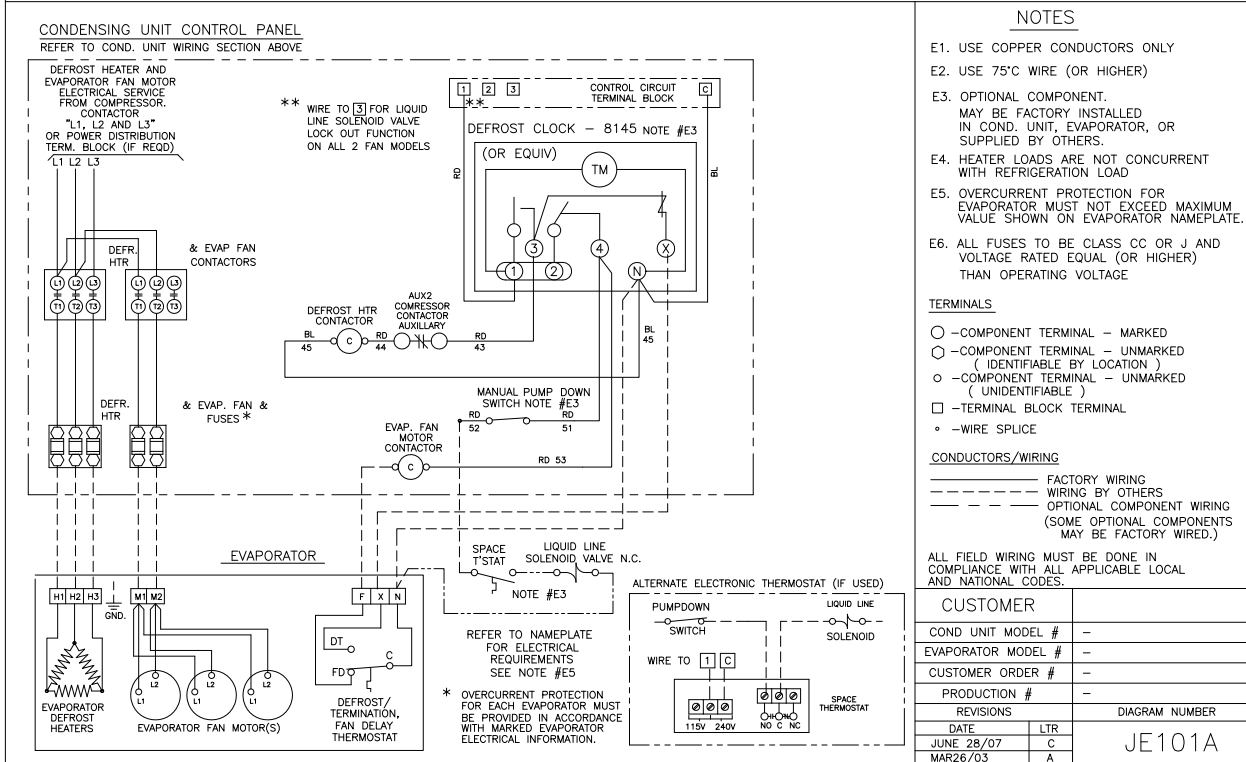
FOR USE WITH: 230V SINGLE OR THREE PHASE CONDENSING UNITS WITH DEFROST TIME CLOCK, AND DEFROST HEATER CONTACTOR



460/3/60, 575/3/60



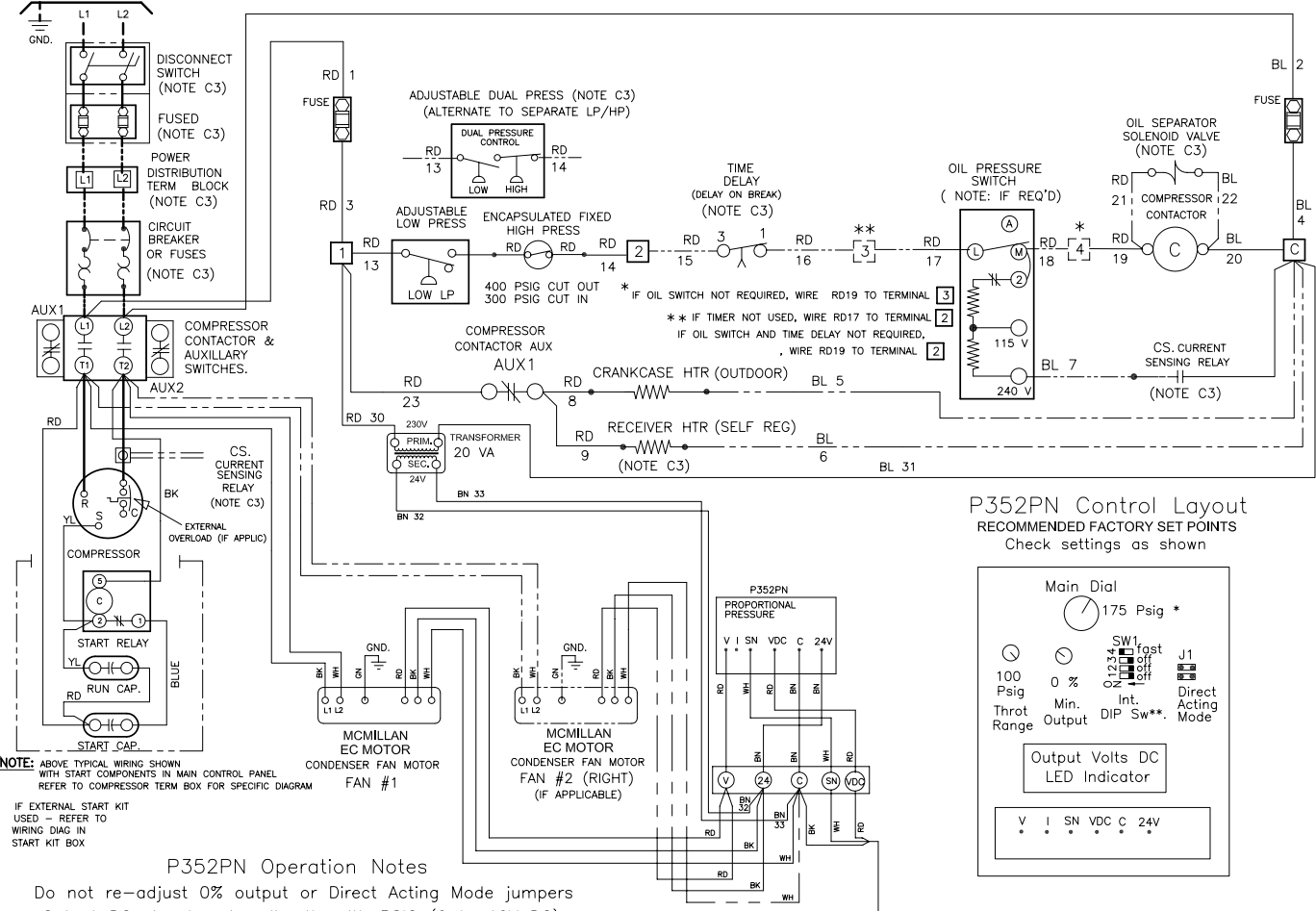
TYPICAL EVAPORATOR WIRING: FOR SINGLE MED PROFILE ELECT DEFROST EVAPORATOR- SINGLE POINT
 FOR USE WITH: THREE PHASE CONDENSING UNITS WITH DEFROST TIME CLOCK, & EVAP FAN AND DEFR. HTR. CONTACTORS.



CONDENSING UNIT WIRING DIAGRAM

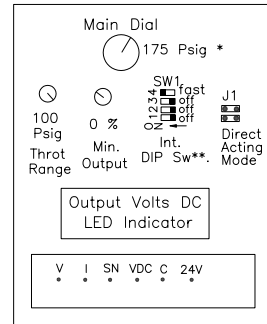
- 208/230V-1-60 or 200/220V-1-50 Hz
- INHERENT LINE BREAK MOTOR PROTECTOR
- WITH McMill. EC COND FAN MOTOR & P352 JOHNSON CONTROLLER

REFER TO CONDENSING UNIT NAMEPLATE FOR ELECTRICAL REQUIREMENTS



P352PN Control Layout

RECOMMENDED FACTORY SET POINTS
Check settings as shown



NOTE: ABOVE TYPICAL WIRING SHOWN WITH START COMPRESSOR IN MAIN CONTROL PANEL REFER TO COMPRESSOR TERM BOX FOR SPECIFIC DIAGRAM

IF EXTERNAL START KIT USED - REFER TO WIRING DIAG IN START KIT BOX

P352PN Operation Notes

Do not re-adjust 0% output or Direct Acting Mode jumpers
Output DC signal varies directly with PSIG (0 to 10V DC)

* Main Dial -Sets Fan for lowest speed PSIG set point. Highest speed will be lowest set point plus throttle range e.g. 175+100= 275 psig (approx 111F cond temp R404A) Providing the ambient temp. is low, fan will maintain the desired set point e.g. 175 psig set point (approx. 80F Cond Temp R404A)

**DIP Sw. set for Proportional / Integration Mode Fast Mode

Refer to P352 instruction sheet for further details.

TRANSDUCER
P266
(or P399,P499)
HIGH SIDE PRESSURE

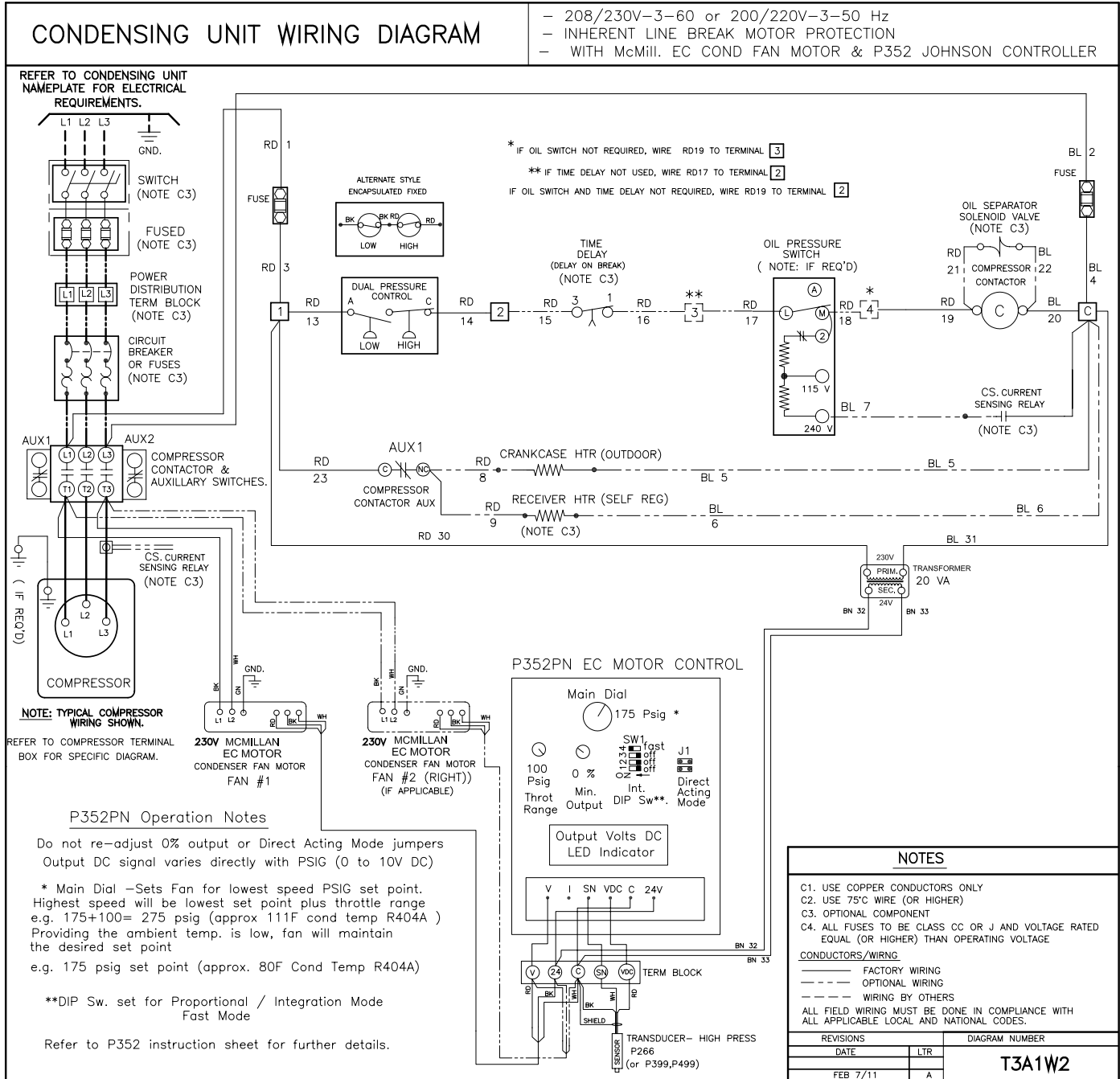
NOTES

- C1. USE COPPER CONDUCTORS ONLY
 - C2. USE 75°C WIRE (OR HIGHER)
 - C3. OPTIONAL COMPONENT
 - C4. ALL FUSES TO BE CLASS CC OR J AND VOLTAGE RATED EQUAL (OR HIGHER) THAN OPERATING VOLTAGE
- CONDUCTORS/WIRING**
- FACTORY WIRING
 - OPTIONAL WIRING
 - WIRING BY OTHERS
- ALL FIELD WIRING MUST BE DONE IN COMPLIANCE WITH ALL APPLICABLE LOCAL AND NATIONAL CODES.

REVISIONS		DIAGRAM NUMBER	
DATE	LTR	S2A1W2	
FEB10/11	A		

TYPICAL SYSTEM WIRING DIAGRAM

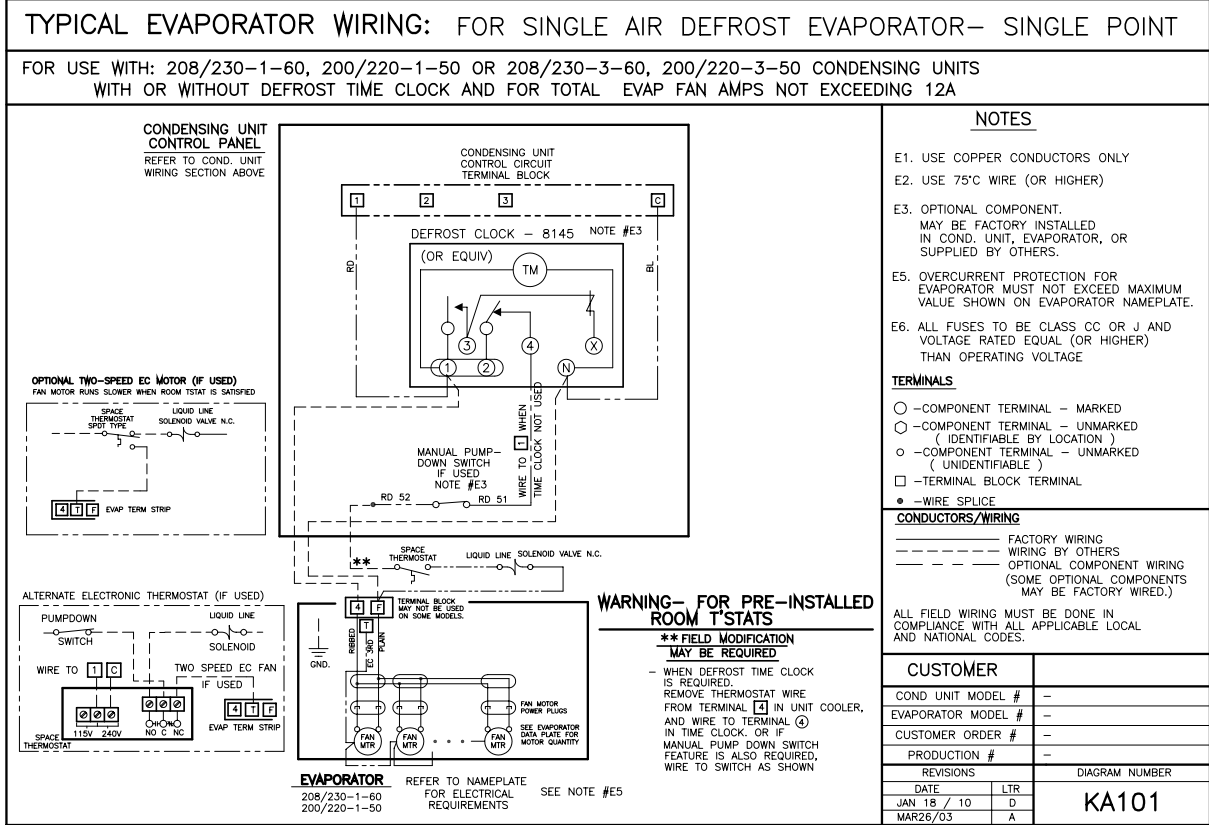
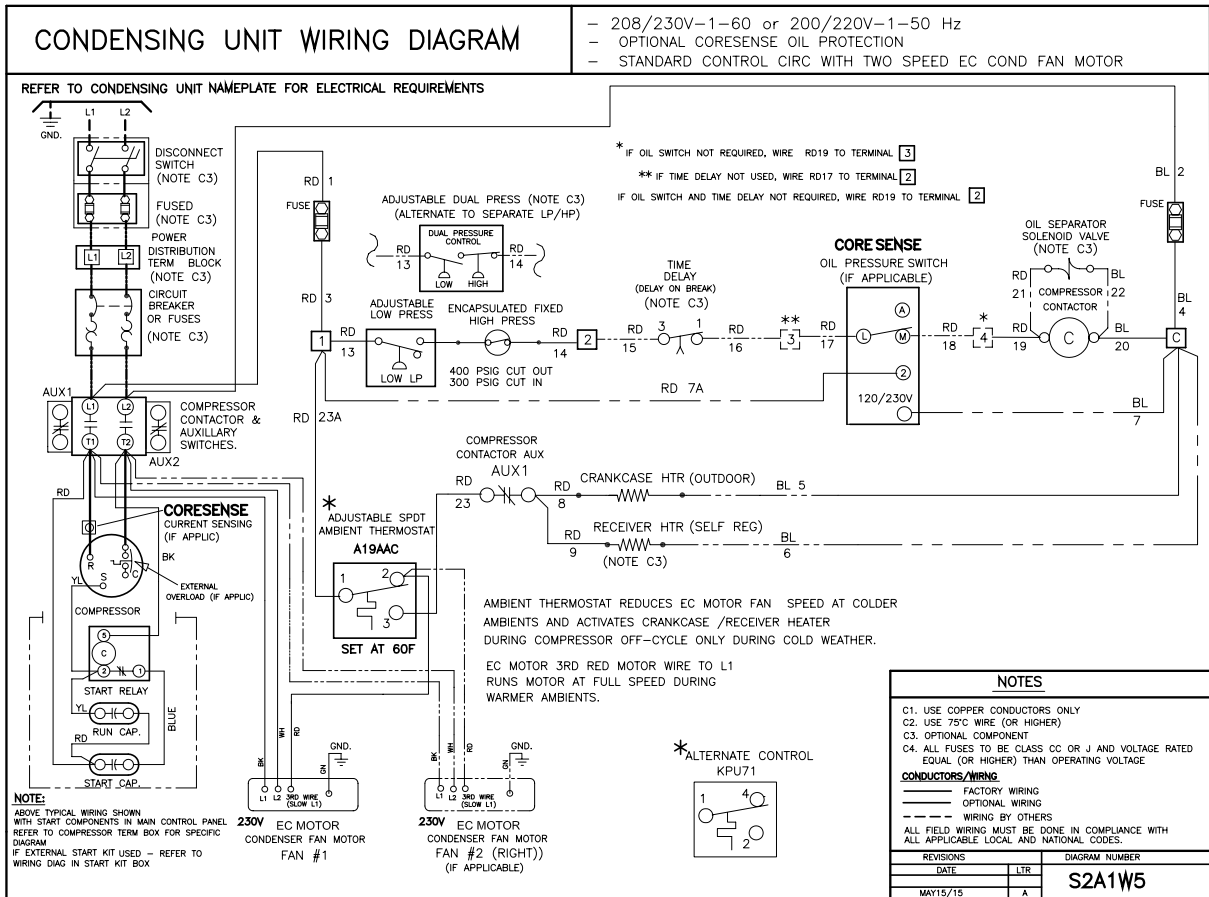
208-230/3/60 Unit with EC Motor



TYPICAL SYSTEM WIRING DIAGRAM

208-230/1/60 Unit with SMARTSPEED™

with 230V Air Defrost Evaporator



NOTES

System	
Model Number	Date of Start-Up
Serial Number	Service Contractor
Refrigerant	Phone
Electrical Supply	E-Mail



PRODUCT SUPPORT

web: t-rp.com/teh
email: smcu@t-rp.com
call: 1-844-893-3222 x521



TROUBLESHOOTING

email: troubleshooting@t-rp.com
call: 1-844-893-3222 x529



SERVICE PARTS

web: t-rp.com/parts
email: parts@t-rp.com
call: 1-844-893-3222 x501



WARRANTY

web: t-rp.com/warranty
email: warranty@t-rp.com
call: 1-844-893-3222 x501



ORDERS

email: orders@t-rp.com
call: 1-844-893-3222 x501



SHIPPING

email: shipping@t-rp.com
call: 1-844-893-3222 x503



®

NATIONAL REFRIGERATION &
 AIR CONDITIONING CANADA CORP.
 159 Roy Blvd.
 Brantford Ontario Canada N3R 7K1
 PHONE: (519) 751-0444 800-463-9517
 FAX (519) 753-1140 www.t-rp.com

