



PRODUCT DATA & SPECIFICATIONS

Bulletin T40-TEZD-PDS-5e
Part # 1108862

TEZ New Generation "D" Condensing Units

60
Hz

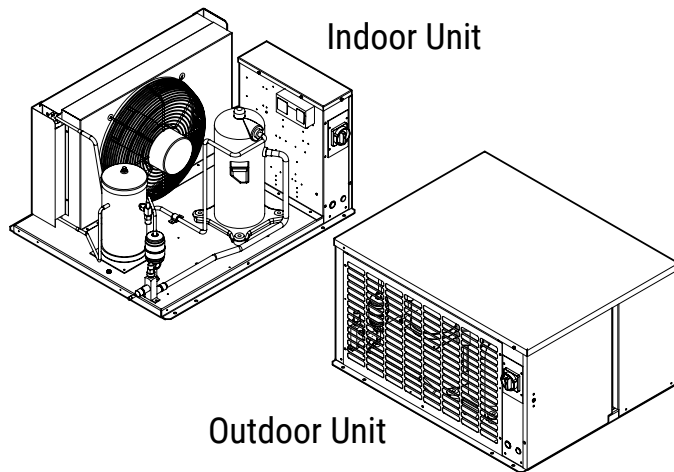
Indoor/Outdoor Air-Cooled Scroll Condensing Units

3/4 to 17 HP -
High and Low
Temperature Refrigeration

	PRODUCT SUPPORT	
	web: www.t-rp.com/tez	
	email: smcu@t-rp.com	
	call: 1-844-893-3222 x521	



**INCLUDES MODELS FOR DOE & NRCAN
AWEF-COMPLIANT APPLICATIONS**



Indoor Unit

Outdoor Unit

SMARTSPEED™

FAN MOTOR TECHNOLOGY

See Page 4 for details

LIMITROL+

FLOATING HEAD PRESSURE CONTROL SYSTEM

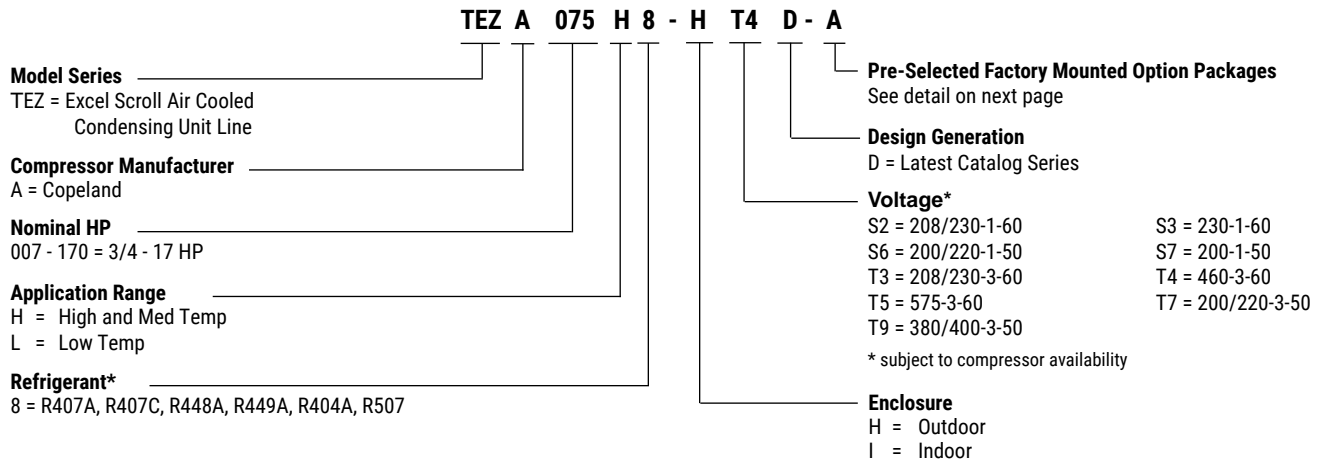
See Page 5 for details

CONTENTS

	Page
Nomenclature.....	2
Features, Options and Pre-Selected Option Packages.....	2 - 3
SMARTSPEED™ Fan Motor Technology	4
LIMITROL+ Floating Head Pressure Control System.....	5
Selection Capacity Data.....	6 - 18
Electrical Data.....	19 - 22
Annual Walk-In Energy Factor (AWEF) Ratings.....	23 - 24
Dimensional Data.....	25 - 29
Specifications.....	30
Wiring Diagrams.....	31 - 34
Wiring Diagrams - Models with SMARTSPEED™	35 - 36
Product Support Resources.....	BACK

NOMENCLATURE

TEZ - SCROLL CONDENSING UNITS



STANDARD FEATURES

Indoor Unit:

- Compatible with Low GWP Refrigerants
- Weatherproof electrical control box with compressor contactor and fused control circuit
- Copeland scroll compressor
- High efficiency enhanced tube and fin condenser design
- SmartSpeed EC Fan Motor Technology standard on models using chassis 1 (see page 35)
- Energy efficient PSC condenser fan motor on models using chassis 2 thru 6 (see page 35)
- Receiver with fusible plug and liquid shut off valve
- Suction service valve
- Pre-formed copper tubing
- Liquid injection (low temp. models)
- Unit leak tested and shipped with helium holding charge

- Fixed high pressure switch and adjustable low pressure control
- Receiver inlet valve on 2-fan units models only
- Discharge thermostat on applicable models only
- Painted cabinet
- Time delay relay for compressor
- QuickVac Evacuation and Refrigerant Recovery Valves

Outdoor Unit: All Standard Features of Indoor Unit, Plus:




- Painted weather-resistant housing with removable hood
- Flooded head pressure control (adjustable)
- Crankcase heater
- Fan cycling control with flex hose (2 fan units)

AVAILABLE OPTIONS

- Suction accumulator with and without boil-out coil
- Discharge line check valve
- Oil separator with and without oil return filter and solenoid valve
- Receiver inlet ball valve
- Heated and Insulated receiver
- Over-sized receiver
- Sealed liquid line filter drier & sight-glass
- Ball valve - liquid line (shipped loose)
- Insulated suction lines
- Leg kits
- Discharge air hood
- Sub cooling circuit on 5 - 17 HP models
- Liquid line solenoid valve (with standard 230 volt coil) - shipped loose
- Variable speed EC motors as head pressure control (see Bulletin T40-HPC-AG or <https://docs.t-rp.com/1101111.pdf> for details)
- Dual pressure control with flex hoses
- Compressor circuit breaker
- Current sensing relay - for use with oil safety control (where applicable)
- Defrost heater contactor c/w fuse block
- Evaporator fan contactor c/w fuse block
- Disconnect switch
- Disconnect fusing
- Pump down toggle switch
- Lock out control circuit relay
- Mechanical time clock
- Electronic voltage / Phase monitor
- **SmartSpeed Fan Motor Technology on models using chassis 2-6 (see page 4)**
- **Limitrol+ Floating Head Pressure Control System (see page 5 or Bulletin T40-LIMITROL-AG or docs.t-rp.com/1101114.pdf for details)**

PRE-SELECTED FACTORY MOUNTED OPTION PACKAGES

TEZ - SCROLL CONDENSING UNITS

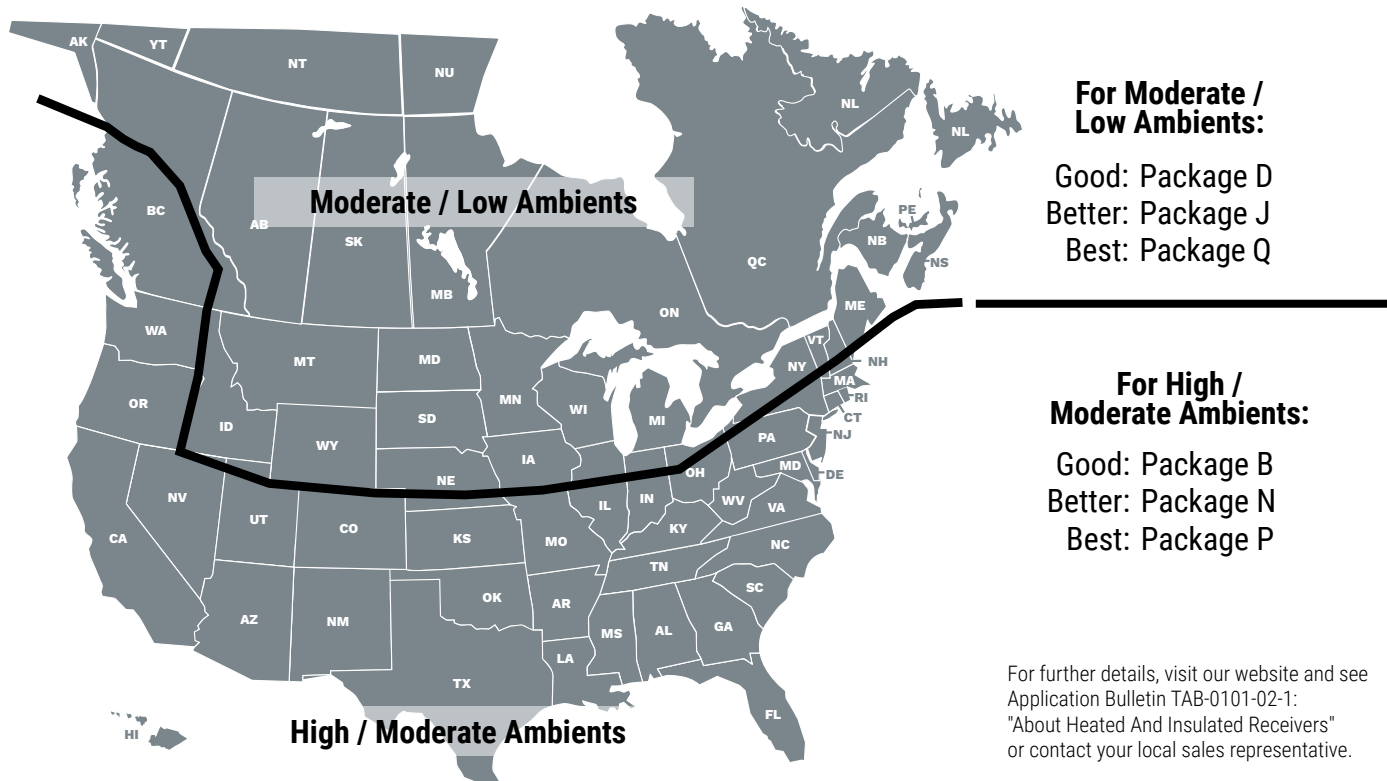
	For High / Moderate Ambients	For Moderate / Low Ambients
GOOD 	Package B: + Liquid Line Filter Drier ¹ & Sight Glass	Package D: + Liquid Line Filter Drier ¹ & Sight Glass + Heated and Insulated Receiver
BETTER 	Package N: + Liquid Line Filter Drier ¹ & Sight Glass + Suction Accumulator w/o Heat Exchanger	Package J: + Liquid Line Filter Drier ¹ & Sight Glass + Suction Accumulator w/o Heat Exchanger + Heated and Insulated Receiver
BEST 	Package P: + Liquid Line Filter Drier ¹ & Sight Glass + Suction Accumulator w/o Heat Exchanger + Suction Filter ² + Non-Fused Disconnect	Package Q: + Liquid Line Filter Drier ¹ & Sight Glass + Suction Accumulator w/o Heat Exchanger + Suction Filter ² + Non-Fused Disconnect + Heated and Insulated Receiver

¹ Liquid Line Filter Drier: Sealed on ALL One Fan Model Units, Replaceable on ALL Two Fan Model Units.

² Suction Filter: Sealed on ALL One Fan Model Units, Replaceable on ALL Two Fan Model Units.

For information on Evaporator Defrost Kits and Fuse Packages, visit www.t-rp.com/dfk

RECOMMENDATIONS FOR SELECTING FACTORY MOUNTED OPTION PACKAGES



US Patent No.
9,297,567

SMARTSPEED™

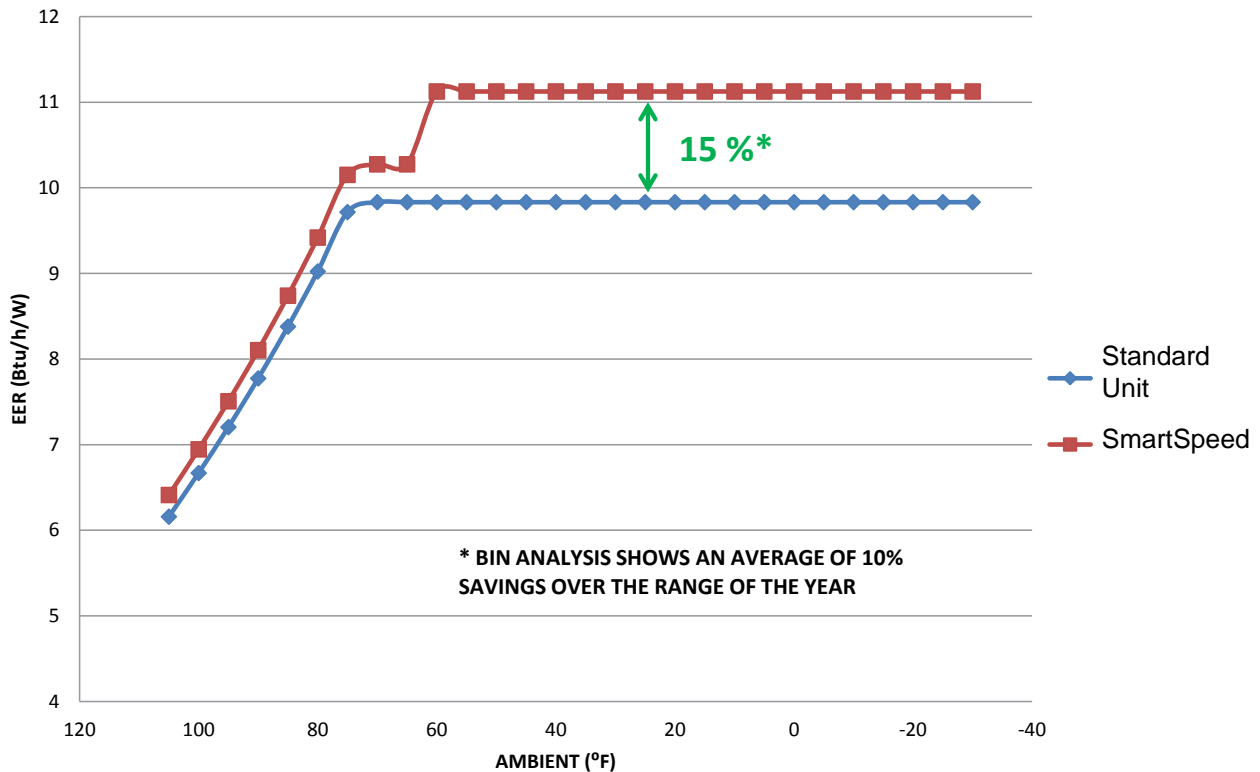
FAN MOTOR TECHNOLOGY



DESIGN FEATURES

- Standard on models using chassis 1 (optional on chassis 2 thru 6)
- No special controls required. No worries about wind or cold climates.
- Ambients above 55°F - EC motor operates at full speed, crankcase heater and heated + insulated receiver disabled from control circuit
- Ambients below 55°F - EC motor operates at low speed, crankcase heater and heated + insulated receiver enabled from control circuit

Condensing Unit EER - Standard Unit vs. SmartSpeed



**Refer to
Pages 41-42
For Wiring Details**

Condensing Unit with SmartSpeed Power Consumption Per Motor		
Chassis Size (see pages 31-35)	Ambients above 55°F. Fan Full Speed. Crankcase and Receiver Heaters Off.	Ambients below 55°F. Fan Low Speed. Crankcase and Receiver Heaters On.
1	102 W	19 W
2	168 W	37 W
3,4	362 W	76 W
5	630 W	152 W

LIMITROL

FLOATING HEAD PRESSURE CONTROL SYSTEM

- **Reduces compressor energy consumption and run time**
- **EC motor technology further saves energy and reduces electrical requirements**
- **Lowered environmental impact through reduced refrigerant use**
- **Stable system performance in lower ambients**

What is Limitrol+? Limitrol+ combines various technologies into a responsive system that floats head pressure, saving energy and reduces environmental impact.

Unlike competitive systems, Limitrol+ combines variable speed EC motor technology, condenser portioning and various systems modifications to provide the ultimate in performance and control.

As a result, Limitrol+ functions in much colder ambients where previous systems have proven ineffective.

What does it do? Conventional head pressure control systems maintain a constant head pressure regardless of ambient temperatures. Limitrol+ intelligently responds to ambient conditions to float head pressure without sacrificing system performance at lower temperatures.

What are its applications?

- Condensing units over 5 HP
- Ideally suited and most effective in applications with fluctuating ambients
- Perfect for installations where reduced refrigerant charges are desired or required.

How much can Limitrol+ save you?

MODEL	Philadelphia, PA		New York, NY		Boston, MA		Charlotte, NC		Atlanta, GA		Los Angeles, CA		St Louis, MO		St. Paul, MN		Toronto, ON	
	%	\$	%	\$	%	\$	%	\$	%	\$	%	\$	%	\$	%	\$	%	\$
5 HP Cooler	22	616	23	1,099	25	1,081	18	474	16	521	16	835	20	624	25	798	27	638
7.5 HP Cooler	21	1,008	22	1,805	23	1,707	18	843	17	954	17	1,499	19	1,053	24	1,270	25	1,000
10 HP Cooler	18	1,204	18	2,131	20	2,095	15	975	14	1,089	18	2,446	16	1,227	20	1,529	21	1,223
15 HP Cooler	19	1,852	20	3,300	21	3,170	16	1,567	15	1,767	19	3,570	17	1,916	22	2,337	22	1,834
6 HP Freezer	24	903	25	1,621	26	1,548	21	753	20	848	23	1,548	22	928	26	1,119	27	891
7.5 HP Freezer	21	994	21	1,783	23	1,726	17	800	16	891	18	1,591	19	1,012	23	1,255	24	1,004

* The above is a BIN Hour Analysis. Weather data was used from ASHRAE Weather Data Viewer and electrical rates for each city are based on June 2013 data from EIA (U.S. Energy Information Administration).

** Above numbers do not include refrigerant savings, and further cost savings can be expected.

For more information on Limitrol+ Floating Head Pressure Control System visit t-rp.com/limitrol or see Bulletin T40-LIMITROL-AG (<https://docs.t-rp.com/1101114.pdf>)

For more information on Head Pressure Control, please refer to our “Head Pressure Control Application Guide” Bulletin T40-HPC-AG (<https://docs.t-rp.com/1101111.pdf>)

SELECTION CAPACITY DATA

TEZ - SCROLL CONDENSING UNITS

R404A R507 High Temperature

Table with columns: Model TEZA, Saturated Suction Temp., Selection Capacity BTU/h (85°F to 110°F), and Ambient Temperature (°F to °C). Rows include models TEZA007H8 through TEZA020H8.

Table with columns: Model TEZA, Saturated Suction Temp., Selection Capacity BTU/h (85°F to 110°F), and Ambient Temperature (°F to °C). Rows include models TEZA025H8 through TEZA060H8.

table continues in next column ↗

table continues on next page >>>

SELECTION CAPACITY DATA

TEZ - SCROLL CONDENSING UNITS

R404A R507 High Temperature (cont'd)

Model TEZA	Saturated Suction Temp.		Selection Capacity BTU/h						Ambient Temperature		
	° F	° C	85°F	90°F	95°F	100°F	105°F	110°F			
			(29.4°C)	(32.2°C)	(35°C)	(37.8°C)	(40.6°C)	(43.3°C)			
TEZA061H8 Compressor Model ZB48KCE	40	4.4	79200	75600	72000	68300	64600	60800			
	35	1.7	73600	70300	66900	63500	60000	56400			
	30	-1.1	68200	65100	62000	58800	55500	52200			
	25	-3.9	63000	60200	57300	54300	51300	48200			
	20	-6.7	58000	55400	52700	50000	47200	44300			
	15	-9.4	53200	50800	48400	45900	43300	40600			
	10	-12.2	48700	46500	44200	41900	39500	37100			
	5	-15.0	44300	42300	40300	38200	36000	33700			
	0	-17.8	40200	38400	36500	34600	32600	30500			
	TEZA070H8 Compressor Model ZB57KCE	40	4.4	96000	91900	87700	83500	79100	74500		
35		1.7	88800	85100	81300	77400	73300	69200			
30		-1.1	81900	78500	75100	71500	67800	64000			
25		-3.9	75300	72300	69200	65900	62600	59100			
20		-6.7	69100	66400	63500	60600	57600	54500			
15		-9.4	63200	60700	58200	55600	52900	50000			
10		-12.2	57600	55400	53100	50800	48300	45800			
5		-15.0	52300	50300	48300	46200	44000	41800			
0		-17.8	47300	45600	43700	41900	40000	37900			
TEZA076H8 Compressor Model ZB66K5E		40	4.4	110000	105000	100000	95300	90200	85000		
	35	1.7	102000	97700	93100	88500	83700	78900			
	30	-1.1	94600	90400	86200	81900	77600	73100			
	25	-3.9	87200	83400	79600	75600	71600	67600			
	20	-6.7	80200	76700	73200	69600	66000	62200			
	15	-9.4	73500	70300	67100	63900	60500	57100			
	10	-12.2	67100	64200	61300	58400	55300	52200			
	5	-15.0	61000	58400	55800	53100	50300	47400			
	0	-17.8	55200	52900	50500	48000	45400	42800			
	TEZA085H8 Compressor Model ZB76K5E	40	4.4	123000	118000	112000	106000	101000	94900		
35		1.7	114000	109000	104000	98900	93600	88300			
30		-1.1	106000	101000	96500	91800	86900	82000			
25		-3.9	97900	93600	89300	84900	80500	76100			
20		-6.7	90200	86300	82400	78400	74400	70400			
15		-9.4	82800	79300	75800	72200	68600	65000			
10		-12.2	75800	72700	69500	66300	63100	59800			
5		-15.0	69100	66300	63500	60600	57800	54900			
0		-17.8	62700	60200	57700	55200	52700	50100			
TEZA110H8 Compressor Model ZB95K5E		40	4.4	163000	156000	148000	141000	134000	126000		
	35	1.7	151000	144000	138000	131000	124000	117000			
	30	-1.1	139000	133000	127000	121000	115000	108000			
	25	-3.9	128000	123000	117000	111000	106000	99500			
	20	-6.7	118000	113000	108000	102000	96800	91200			
	15	-9.4	108000	103000	98400	93500	88500	83200			
	10	-12.2	98100	93900	89500	85000	80400	75500			
	5	-15.0	88900	85100	81000	76900	72500	67900			
	0	-17.8	80200	76600	72800	68900	64800	60500			
	TEZA150H8 Compressor Model ZB114K5E	40	4.4	187000	178000	170000	161000	153000	144000		
35		1.7	173000	166000	158000	150000	142000	133000			
30		-1.1	160000	153000	146000	139000	131000	123000			
25		-3.9	148000	142000	135000	128000	121000	114000			
20		-6.7	136000	130000	124000	118000	111000	104000			
15		-9.4	125000	119000	113000	107000	101000	95100			
10		-12.2	114000	109000	103000	97800	92200	86300			
5		-15.0	103000	98400	93500	88500	83200	77800			
0		-17.8	93000	88700	84200	79500	74600	69500			

SELECTION CAPACITY DATA

TEZ - SCROLL CONDENSING UNITS

R407A High Temperature (cont'd)

Model TEZA	Saturated Suction Temp.		Selection Capacity BTU/h						Ambient Temperature	
	° F	° C	85°F	90°F	95°F	100°F	105°F	110°F		
			(29.4°C)	(32.2°C)	(35°C)	(37.8°C)	(40.6°C)	(43.3°C)		
TEZA061H8 Compressor Model ZB48KCE	40	4.4	79900	76800	73600	70300	67000	-	-	-
	35	1.7	73300	70500	67500	64500	61500	-	-	-
	30	-1.1	67000	64400	61700	58900	56100	53100	-	-
	25	-3.9	60900	58400	56000	53500	50900	48300	-	-
	20	-6.7	55100	52800	50600	48300	46000	43600	-	-
	15	-9.4	49500	47500	45400	43400	41300	39200	-	-
	10	-12.2	44300	42500	40700	38800	36900	35000	-	-
	5	-15.0	39500	37900	36200	34500	32900	31200	-	-
	0	-17.8	35000	33500	32000	30600	29100	27700	-	-
	TEZA070H8 Compressor Model ZB57KCE	40	4.4	95100	91900	88700	85500	82200	78800	-
35		1.7	86900	84100	81200	78300	75200	72200	-	-
30		-1.1	79400	76800	74200	71400	68700	65900	-	-
25		-3.9	72300	69900	67500	65100	62600	60000	-	-
20		-6.7	65500	63400	61300	59100	56800	54400	-	-
15		-9.4	59300	57400	55400	53500	51400	49200	-	-
10		-12.2	53500	51700	49900	48000	46200	44200	-	-
5		-15.0	47900	46400	44700	43100	41400	39500	-	-
0		-17.8	42700	41400	39800	38400	36700	35000	-	-
TEZA076H8 Compressor Model ZB66K5E		40	4.4	110000	106000	102000	97300	93000	88500	-
	35	1.7	101000	96900	93100	89100	85100	80900	-	-
	30	-1.1	91900	88400	84900	81100	77400	73600	-	-
	25	-3.9	83400	80200	76900	73500	70100	66700	-	-
	20	-6.7	75300	72300	69300	66200	63100	60100	-	-
	15	-9.4	67500	64800	62100	59400	56600	53900	-	-
	10	-12.2	60200	57700	55300	52900	50500	48300	-	-
	5	-15.0	53400	51200	49100	47000	44900	43100	-	-
	0	-17.8	47000	45100	43400	41600	40000	38600	-	-
	TEZA085H8 Compressor Model ZB76K5E	40	4.4	125000	120000	115000	110000	105000	-	-
35		1.7	114000	110000	106000	101000	97000	-	-	-
30		-1.1	104000	101000	96900	93100	89300	85500	-	-
25		-3.9	95200	91900	88700	85400	82000	78500	-	-
20		-6.7	86600	83800	80900	78000	75000	71900	-	-
15		-9.4	78600	76100	73500	70800	68100	65300	-	-
10		-12.2	71000	68700	66400	63900	61400	58800	-	-
5		-15.0	63800	61600	59300	56900	54500	51900	-	-
0		-17.8	56700	54500	52200	49800	47300	44800	-	-
TEZA110H8 Compressor Model ZB95K5E		40	4.4	162000	156000	151000	145000	137000	131000	-
	35	1.7	149000	144000	137000	131000	125000	119000	-	-
	30	-1.1	135000	130000	125000	120000	113000	108000	-	-
	25	-3.9	123000	118000	112000	107000	102000	96900	-	-
	20	-6.7	110000	106000	101000	96400	91600	86700	-	-
	15	-9.4	98400	94300	90100	85800	81500	77200	-	-
	10	-12.2	87400	83600	79800	75900	72200	68300	-	-
	5	-15.0	77000	73600	70200	66800	63400	60200	-	-
	0	-17.8	67400	64400	61400	58400	55600	52900	-	-
	TEZA150H8 Compressor Model ZB114K5E	40	4.4	189000	183000	176000	167000	160000	-	-
35		1.7	174000	166000	160000	153000	146000	-	-	-
30		-1.1	158000	152000	146000	139000	132000	126000	-	-
25		-3.9	142000	137000	131000	125000	119000	112000	-	-
20		-6.7	129000	124000	118000	112000	106000	101000	-	-
15		-9.4	114000	110000	105000	99900	94800	89800	-	-
10		-12.2	102000	97600	93000	88500	84000	79600	-	-
5		-15.0	90000	85900	82000	77900	74000	70300	-	-
0		-17.8	78800	75300	71800	68400	65200	62300	-	-

Shaded Area Restriction: 20°F Max Superheat

SELECTION CAPACITY DATA

TEZ - SCROLL CONDENSING UNITS

R448A R449A High Temperature (cont'd)

Model TEZA	Saturated Suction Temp.		Selection Capacity BTU/h					
			Ambient Temperature					
	° F	° C	85°F (29.4°C)	90°F (32.2°C)	95°F (35°C)	100°F (37.8°C)	105°F (40.6°C)	110°F (43.3°C)
TEZA061H8 Compressor Model ZB48KCE	40	4.4	81400	78300	75200	72100	69000	65800
	35	1.7	74800	72000	69100	66100	63300	60400
	30	-1.1	68400	65800	63200	60500	57900	55200
	25	-3.9	62500	60100	57700	55200	52800	50300
	20	-6.7	56800	54600	52400	50100	47900	45700
	15	-9.4	51500	49400	47400	45300	43300	41200
	10	-12.2	46400	44500	42500	40700	38800	36900
	5	-15.0	41500	39700	38000	36200	34400	32800
	0	-17.8	36800	35300	33600	31900	30300	28700
TEZA070H8 Compressor Model ZB57KCE	40	4.4	99400	96000	92500	88800	85100	81200
	35	1.7	90900	87800	84700	81400	78000	74600
	30	-1.1	83000	80200	77400	74500	71400	68300
	25	-3.9	75500	73000	70400	67800	65100	62400
	20	-6.7	68400	66200	64000	61700	59200	56800
	15	-9.4	61900	59900	57800	55700	53600	51400
	10	-12.2	55700	53900	52000	50100	48200	46200
	5	-15.0	49900	48300	46500	44700	43000	41200
	0	-17.8	44400	42800	41200	39600	38000	36200
TEZA076H8 Compressor Model ZB66K5E	40	4.4	113000	109000	105000	101000	96800	91900
	35	1.7	103000	100000	97000	93400	89300	84900
	30	-1.1	94400	91800	88900	85700	82100	78100
	25	-3.9	85900	83500	81000	78100	74900	71300
	20	-6.7	77800	75700	73400	70800	67900	64700
	15	-9.4	70100	68200	66100	63800	61200	58100
	10	-12.2	62900	61200	59200	57000	54500	51700
	5	-15.0	56300	54500	52500	50400	48000	45200
	0	-17.8	50000	48200	46200	44100	41700	39000
TEZA085H8 Compressor Model ZB76K5E	40	4.4	128000	124000	119000	114000	108000	103000
	35	1.7	118000	113000	109000	105000	101000	95300
	30	-1.1	107000	104000	101000	96800	92600	87900
	25	-3.9	97600	94800	91900	88500	84800	80500
	20	-6.7	88500	86100	83500	80500	77200	73300
	15	-9.4	79900	77700	75400	72700	69700	66100
	10	-12.2	71800	69800	67600	65100	62300	59100
	5	-15.0	64200	62200	60100	57700	55100	52100
	0	-17.8	57000	55000	52800	50500	48000	45100
TEZA110H8 Compressor Model ZB95K5E	40	4.4	172000	165000	159000	152000	146000	138000
	35	1.7	154000	149000	144000	137000	131000	124000
	30	-1.1	139000	134000	129000	124000	118000	111000
	25	-3.9	125000	121000	115000	110000	105000	99500
	20	-6.7	112000	108000	104000	98900	93800	88400
	15	-9.4	101000	96600	92500	88000	83100	77900
	10	-12.2	89800	86000	82000	77500	72800	67700
	5	-15.0	79700	75900	71900	67400	62700	57500
	0	-17.8	69900	66100	62000	57400	52600	47300
TEZA150H8 Compressor Model ZB114K5E	40	4.4	200000	192000	185000	177000	170000	160000
	35	1.7	181000	174000	167000	160000	153000	145000
	30	-1.1	163000	157000	151000	144000	137000	130000
	25	-3.9	147000	141000	135000	129000	123000	115000
	20	-6.7	131000	127000	121000	115000	109000	103000
	15	-9.4	118000	113000	108000	102000	96300	90100
	10	-12.2	105000	100000	95300	89900	84100	78000
	5	-15.0	92900	88300	83300	78000	72300	66100
	0	-17.8	81400	76800	71800	66400	60500	54300

Shaded Area Restriction: 20°F Max Superheat

SELECTION CAPACITY DATA

TEZ - SCROLL CONDENSING UNITS

R407C High Temperature (cont'd)

Model TEZA	Saturated Suction Temp.		Selection Capacity BTU/h						Ambient Temperature	
	° F	° C	85°F	90°F	95°F	100°F	105°F	110°F		
			(29.4°C)	(32.2°C)	(35°C)	(37.8°C)	(40.6°C)	(43.3°C)		
TEZA076H8 Compressor Model ZB66K5E	40	4.4	109000	106000	103000	99900	96600	93200		
	35	1.7	99600	96800	93900	90900	87800	84600		
	30	-1.1	90500	87800	85100	82300	79500	76500		
	25	-3.9	81800	79400	76900	74400	71700	69000		
	20	-6.7	73800	71600	69300	66900	64500	62000		
	15	-9.4	66400	64300	62200	60000	57700	55400		
	10	-12.2	59400	57500	55500	53600	51500	49400		
	5	-15.0	53000	51300	49500	47600	45700	43800		
	0	-17.8	47200	45600	43900	42100	40400	38600		
TEZA085H8 Compressor Model ZB76K5E	40	4.4	125000	122000	118000	113000	110000	106000		
	35	1.7	114000	111000	107000	104000	100000	96700		
	30	-1.1	104000	101000	97900	94600	91400	88100		
	25	-3.9	94500	91700	88900	86000	83000	80000		
	20	-6.7	85600	83000	80500	77800	75100	72400		
	15	-9.4	77300	74900	72600	70200	67800	65300		
	10	-12.2	69500	67400	65300	63100	60900	58800		
	5	-15.0	62300	60400	58600	56600	54700	52700		
	0	-17.8	55600	54000	52300	50500	48900	47100		
TEZA110H8 Compressor Model ZB95K5E	40	4.4	161000	156000	151000	146000	140000	134000		
	35	1.7	146000	140000	136000	131000	126000	121000		
	30	-1.1	131000	127000	123000	118000	113000	108000		
	25	-3.9	118000	114000	110000	106000	101000	96900		
	20	-6.7	106000	102000	98200	94200	90300	86200		
	15	-9.4	94200	90800	87300	83700	80000	76200		
	10	-12.2	83700	80500	77300	73900	70500	67100		
	5	-15.0	74000	71000	68000	65000	61800	58700		
	0	-17.8	65100	62400	59600	56700	53800	50800		
TEZA150H8 Compressor Model ZB114K5E	40	4.4	184000	179000	173000	166000	160000	155000		
	35	1.7	167000	162000	157000	151000	146000	140000		
	30	-1.1	152000	147000	141000	137000	132000	127000		
	25	-3.9	136000	132000	128000	124000	119000	113000		
	20	-6.7	123000	119000	115000	110000	106000	102000		
	15	-9.4	110000	107000	103000	99000	95100	91000		
	10	-12.2	98600	95300	91700	88200	84600	80800		
	5	-15.0	87800	84700	81400	78200	74900	71400		
	0	-17.8	77800	74900	72000	69000	65800	62700		

Shaded Area Restriction: 20°F Max Superheat

SELECTION CAPACITY DATA

TEZ - SCROLL CONDENSING UNITS

R407A Low Temperature (cont'd)

Model TEZA	Saturated Suction Temp.		Selection Capacity BTU/h					
			Ambient Temperature					
	° F	° C	85°F (29.4°C)	90°F (32.2°C)	95°F (35°C)	100°F (37.8°C)	105°F (40.6°C)	110°F (43.3°C)
TEZA055L8 Compressor Model ZF15K4E	0	-17.8	28100	27200	26300	25400	24400	23400
	-5	-20.6	25100	24400	23500	22600	21700	20800
	-10	-23.3	22400	21600	20800	20100	19200	18400
	-15	-26.1	19700	19100	18400	17600	16900	16100
	-20	-28.9	17400	16800	16200	15500	14800	14100
	-25	-31.7	15300	14800	14300	13700	13000	12300
	-30	-34.4	13500	13000	12600	12100	11400	10800
	-35	-37.2	12100	11700	11200	10700	10200	9650
	-40	-40.0	10900	10500	10200	9740	9290	8790
TEZA060L8 Compressor Model ZF18K4E	0	-17.8	33200	32100	31100	30000	29000	27800
	-5	-20.6	29800	28900	27900	26900	25900	24900
	-10	-23.3	26600	25700	24900	23900	23000	22100
	-15	-26.1	23500	22800	22100	21200	20400	19400
	-20	-28.9	20800	20200	19400	18700	18000	17100
	-25	-31.7	18400	17700	17100	16500	15800	15000
	-30	-34.4	16200	15600	15100	14500	13900	13200
	-35	-37.2	14400	13900	13400	12900	12400	11800
	-40	-40.0	12900	12500	12200	11700	11200	10700
TEZA075L8 Compressor Model ZF25K4E	0	-17.8	41400	40100	38700	37500	36100	34700
	-5	-20.6	37200	36000	34800	33500	32200	31000
	-10	-23.3	33100	32000	31000	29800	28700	27500
	-15	-26.1	29400	28500	27400	26500	25400	24300
	-20	-28.9	25900	25100	24300	23300	22400	21300
	-25	-31.7	22900	22100	21300	20500	19600	18700
	-30	-34.4	20200	19500	18800	18100	17300	16500
	-35	-37.2	17900	17300	16700	16100	15400	14700
	-40	-40.0	16100	15600	15100	14600	14000	13300
TEZA085L8 Compressor Model ZF28K4E	0	-17.8	47700	46100	44500	42900	41300	39600
	-5	-20.6	42800	41400	40000	38500	37000	35400
	-10	-23.3	38200	37000	35600	34300	32900	31400
	-15	-26.1	33900	32800	31600	30300	29100	27700
	-20	-28.9	30000	29000	27900	26800	25600	24400
	-25	-31.7	26500	25500	24600	23600	22600	21400
	-30	-34.4	23400	22600	21700	20900	20000	18900
	-35	-37.2	20800	20100	19300	18600	17700	16800
	-40	-40.0	18700	18200	17500	16900	16200	15300
TEZA100L8 Compressor Model ZF34K5E	0	-17.8	55800	53800	51800	49700	47500	45200
	-5	-20.6	50100	48300	46400	44500	42500	40300
	-10	-23.3	44700	43100	41400	39600	37700	35700
	-15	-26.1	39700	38200	36600	35100	33300	31400
	-20	-28.9	35000	33700	32300	30800	29200	27500
	-25	-31.7	30800	29600	28400	27000	25500	23900
	-30	-34.4	27100	26000	24900	23700	22400	20900
	-35	-37.2	23900	23000	22100	20900	19700	18400
	-40	-40.0	21400	20700	19700	18800	17600	16500
TEZA130L8 Compressor Model ZF41K5E	0	-17.8	70100	67900	65800	63500	61100	58700
	-5	-20.6	63000	61100	59100	57000	54800	52500
	-10	-23.3	56300	54500	52700	50800	48700	46600
	-15	-26.1	50100	48400	46700	44900	43200	41100
	-20	-28.9	44200	42800	41300	39700	37900	36100
	-25	-31.7	39100	37700	36300	34900	33300	31500
	-30	-34.4	34400	33300	32000	30700	29200	27600
	-35	-37.2	30600	29500	28400	27200	25800	24400
	-40	-40.0	27400	26500	25500	24400	23100	21700
TEZA150L8 Compressor Model ZF49K5E	0	-17.8	83400	80600	77900	75100	72000	68900
	-5	-20.6	74900	72300	69800	67200	64400	61400
	-10	-23.3	66800	64500	62200	59700	57100	54300
	-15	-26.1	59100	57100	55000	52700	50300	47700
	-20	-28.9	52200	50400	48400	46300	44100	41700
	-25	-31.7	46000	44300	42500	40600	38500	36300
	-30	-34.4	40500	39100	37500	35700	33800	31700
	-35	-37.2	36000	34700	33300	31700	29900	28000
	-40	-40.0	32600	31400	30100	28700	27100	25300

Model TEZA	Saturated Suction Temp.		Selection Capacity BTU/h					
			Ambient Temperature					
	° F	° C	85°F (29.4°C)	90°F (32.2°C)	95°F (35°C)	100°F (37.8°C)	105°F (40.6°C)	110°F (43.3°C)
TEZA170L8 Compressor Model ZF54K5E	0	-17.8	93300	90300	87300	84200	81100	77800
	-5	-20.6	83400	80700	78100	75400	72600	69800
	-10	-23.3	74200	71900	69600	67200	64800	62400
	-15	-26.1	65800	63800	61700	59700	57600	55400
	-20	-28.9	58100	56400	54600	52800	50900	49000
	-25	-31.7	51100	49600	48000	46400	44800	43200
	-30	-34.4	44800	43500	42100	40600	39300	37800
	-35	-37.2	39200	37900	36600	35400	34100	32800
	-40	-40.0	34000	32900	31700	30600	29400	28100

table continues in next column ↑

SELECTION CAPACITY DATA

TEZ - SCROLL CONDENSING UNITS

R448A R449A Low Temperature (cont'd)

Model TEZA	Saturated Suction Temp.		Selection Capacity BTU/h					
			Ambient Temperature					
	° F	° C	85°F (29.4°C)	90°F (32.2°C)	95°F (35°C)	100°F (37.8°C)	105°F (40.6°C)	110°F (43.3°C)
TEZA150L8 Compressor Model ZF49K5E	0	-17.8	84700	82000	79200	76200	73200	70000
	-5	-20.6	76400	73900	71400	68800	66000	63200
	-10	-23.3	68600	66400	64200	61700	59300	56800
	-15	-26.1	61200	59300	57300	55200	53100	50800
	-20	-28.9	54400	52700	50900	49100	47300	45400
	-25	-31.7	48100	46600	45000	43500	41900	40200
	-30	-34.4	42200	41000	39600	38300	37000	35600
	-35	-37.2	36800	35700	34700	33500	32400	31400
	-40	-40.0	31900	31000	30100	29300	28400	27600
TEZA170L8 Compressor Model ZF54K5E	0	-17.8	96100	93000	89900	86800	83700	80400
	-5	-20.6	86100	83500	80700	78000	75200	72300
	-10	-23.3	77000	74600	72200	69800	67400	64900
	-15	-26.1	68500	66500	64400	62300	60200	58000
	-20	-28.9	60700	58900	57200	55300	53400	51600
	-25	-31.7	53700	52100	50600	49000	47400	45700
	-30	-34.4	47100	45900	44500	43200	41800	40200
	-35	-37.2	41400	40200	39100	37900	36500	35300
	-40	-40.0	36100	35100	34100	33000	31800	30700

Standard Models

Model TEZA	Compressor Model No.	Power Supply	Compressor		Condenser Fan Motor			Unit		
			RLA	LRA	Quantity	Watts	FLA	MCA	MOP	
TEZA007H8-*	S2D	ZB06KAE-PFV	208-230/1/60	6.0	36.0	1	100**	1.0	8.5	15
	T3D	ZB06KAE-TF5	208-230/3/60	4.8	37.8	1	100**	1.0	7.0	15
TEZA008H8-*	S2D	ZB07KAE-PFV	208-230/1/60	6.3	48.0	1	100**	1.0	8.9	15
	T3D	ZB07KAE-TF5	208-230/3/60	5.2	37.8	1	100**	1.0	7.5	15
TEZA009H8-*	S2D	ZB08KAE-PFV	208-230/1/60	8.0	47.2	1	100**	1.0	11.0	15
	T3D	ZB08KAE-TF5	208-230/3/60	5.3	37.8	1	100**	1.0	7.6	15
TEZA010H8-*	S2D	ZS09KAE-PFV	208-230/1/60	10.0	40.3	1	240	1.1	13.6	20
	T3D	ZS09KAE-TF5	208-230/3/60	8.0	55.4	1	240	1.1	11.1	15
	T4D	ZS09KAE-TFD	460/3/60	3.8	28	1	240	0.6	5.4	15
TEZA011H8-*	S2D	ZS11KAE-PFV	208-230/1/60	12.6	55	1	240	1.1	16.9	25
	T3D	ZS11KAE-TF5	208-230/3/60	10.4	58	1	240	1.1	14.1	20
	T4D	ZS11KAE-TFD	460/3/60	4.3	28	1	240	0.6	6.0	15
TEZA015H8-*	S2D	ZS13KAE-PFV	208-230/1/60	12.0	56	1	240	1.1	16.1	25
	T3D	ZS13KAE-TF5	208-230/3/60	9.7	58	1	240	1.1	13.2	20
	T4D	ZS13KAE-TFD	460/3/60	4.8	29	1	240	0.6	6.6	15
	T5D	ZS13KAE-TFE	575/3/60	3.6	24.5	1	240	0.5	5.0	15
TEZA020H8-*	S2D	ZS15KAE-PFV	208-230/1/60	15.7	68	1	240	1.1	20.7	35
	T3D	ZS15KAE-TF5	208-230/3/60	10.6	58	1	240	1.1	14.4	25
	T4D	ZS15KAE-TFD	460/3/60	5.4	29	1	240	0.6	7.4	15
	T5D	ZS15KAE-TFE	575/3/60	3.9	24	1	240	0.5	5.4	15
TEZA025H8-*	S2D	ZS19KAE-PFV	208-230/1/60	18.0	75	1	400	2.1	24.6	40
	T3D	ZS19KAE-TF5	208-230/3/60	13.7	73	1	400	2.1	19.2	30
	T4D	ZS19KAE-TFD	460/3/60	6.5	38	1	400	1.1	9.2	15
	T5D	ZS19KAE-TFE	575/3/60	4.3	28	1	400	0.9	6.3	15
TEZA030H8-*	S2D	ZS21KAE-PFV	208-230/1/60	23.2	112	1	400	2.1	31.1	50
	T3D	ZS21KAE-TF5	208-230/3/60	15.2	93	1	400	2.1	21.1	35
	T4D	ZS21KAE-TFD	460/3/60	6.9	48	1	400	1.1	9.7	15
	T5D	ZS21KAE-TFE	575/3/60	5.8	33	1	400	0.9	8.2	15
TEZA035H8-*	S2D	ZS26KAE-PFV	208-230/1/60	23.6	104	1	400	2.1	31.6	50
	T3D	ZS26KAE-TF5	208-230/3/60	15.5	93	1	400	2.1	21.5	35
	T4D	ZS26KAE-TFD	460/3/60	6.9	48	1	400	1.1	9.7	15
	T5D	ZS26KAE-TFE	575/3/60	6.4	38	1	400	0.9	8.9	15
TEZA040H8-*	S2D	ZS29KAE-PFV	208-230/1/60	26.1	137	1	400	2.1	34.7	60
	T3D	ZS29KAE-TF5	208-230/3/60	20.5	114	1	400	2.1	27.7	45
	T4D	ZS29KAE-TFD	460/3/60	9.4	58	1	400	1.1	12.9	20
	T5D	ZS29KAE-TFE	575/3/60	5.8	43	1	400	0.9	8.2	15
TEZA045H8-*	S2D	ZS33KAE-PFV	208-230/1/60	25.6	146	1	400	2.1	34.1	60
	T3D	ZS33KAE-TF5	208-230/3/60	22.3	114	1	400	2.1	30.0	50
	T4D	ZS33KAE-TFD	460/3/60	10.0	52	1	400	1.1	13.6	20
	T5D	ZS33KAE-TFE	575/3/60	6.9	39.5	1	400	0.9	9.5	15
TEZA050H8-*	S2D	ZB38KCE-PFV	208-230/1/60	31.1	175	1	400	2.1	41.0	70
	T3D	ZB38KCE-TF5	208-230/3/60	22.1	128	1	400	2.1	29.7	50
	T4D	ZB38KCE-TFD	460/3/60	9.6	63	1	400	1.1	13.1	20
	T5D	ZB38KCE-TFE	575/3/60	7.1	50	1	400	0.9	9.8	15
TEZA060H8-*	T3D	ZB45KCE-TF5	208-230/3/60	22.5	156	1	400	2.1	30.2	50
	T4D	ZB45KCE-TFD	460/3/60	11.5	75	1	400	1.1	15.5	25
	T5D	ZB45KCE-TFE	575/3/60	7.9	54	1	400	0.9	10.8	15
TEZA061H8-*	T3D	ZB48KCE-TF5	208-230/3/60	25.4	164	1	400	2.1	33.9	50
	T4D	ZB48KCE-TFD	460/3/60	13.6	100	1	400	1.1	18.1	30
	T5D	ZB48KCE-TFE	575/3/60	10.1	78	1	400	0.9	13.5	20
TEZA070H8-*	T3D	ZB57KCE-TF5	208-230/3/60	35.5	224	2	800	4.2	48.6	80
	T4D	ZB57KCE-TFD	460/3/60	15.2	99	2	800	2.2	21.2	35
	T5D	ZB57KCE-TFE	575/3/60	11.6	82.4	2	800	1.8	16.3	25
TEZA076H8-*	T3D	ZB66K5E-TFC	208-230/3/60	39.3	225	2	800	4.2	53.3	90
	T4D	ZB66K5E-TFD	460/3/60	17.3	114	2	800	2.2	23.8	40
	T5D	ZB66K5E-TFE	575/3/60	14.3	80	2	800	1.8	19.7	30
TEZA085H8-*	T3D	ZB76K5E-TFC	208-230/3/60	43.0	239	2	800	4.2	58.0	100
	T4D	ZB76K5E-TFD	460/3/60	20.7	125	2	800	2.2	28.1	45
	T5D	ZB76K5E-TFE	575/3/60	14.6	80	2	800	1.8	20.1	30
TEZA110H8-*	T3D	ZB95K5E-TWC	208-230/3/60	52.9	298	2	1560	7.2	73.3	125
	T4D	ZB95K5E-TFD	460/3/60	25.0	150	2	1560	3.4	34.7	50
	T5D	ZB95K5E-TFE	575/3/60	20.8	123	2	1560	2.8	28.8	45
TEZA150H8-*	T3D	ZB114K5E-TWC	208-230/3/60	63.0	321	2	1560	7.2	86.0	125
	T4D	ZB114K5E-TFD	460/3/60	27.9	179	2	1560	3.4	38.3	60
	T5D	ZB114K5E-TWE	575/3/60	22.4	132	2	1560	2.8	30.8	50

* I = Indoor, H = Outdoor. Above listed RLA value is based on UL rating method and may differ from published compressor RLA data.

** SMARTSPEED EC Motor Standard

table continues on next page >>>

Standard Models (cont'd)

Model TEZA	Compressor Model No.	Power Supply	Compressor		Condenser Fan Motor			Unit		
			RLA	LRA	Quantity	Watts	FLA	MCA	MOP	
TEZA008L8-*	S2D	ZF03KAE-PFV	208-230/1/60	6.4	42.6	1	100**	1.0	9.0	15
	T3D	ZF03KAE-TF5	208-230/3/60	4.1	31.7	1	100**	1.0	6.1	15
TEZA010L8-*	S2D	ZF04KAE-PFV	208-230/1/60	7.4	40	1	100**	1.0	10.3	15
	T3D	ZF04KAE-TF5	208-230/3/60	6.6	55	1	100**	1.0	9.3	15
TEZA015L8-*	S2D	ZF05KAE-PFV	208-230/1/60	8.7	55	1	100**	1.0	11.9	20
	T3D	ZF05KAE-TF5	208-230/3/60	7.5	58	1	100**	1.0	10.4	15
TEZA020L8-*	S2D	ZF07KAE-PFV	208-230/1/60	13.9	75	1	100**	1.0	18.4	30
	T3D	ZF07KAE-TF5	208-230/3/60	8.6	58	1	100**	1.0	11.8	20
TEZA025L8-*	S2D	ZF08K4E-PFV	208-230/1/60	16.4	73	1	240	1.1	21.6	35
	T3D	ZF08K4E-TF5	208-230/3/60	9.6	63	1	240	1.1	13.1	20
	T4D	ZF08K4E-TFD	460/3/60	5.0	31	1	240	0.6	6.9	15
TEZA030L8-*	S2D	ZF09K4E-PFV	208-230/1/60	15.4	88	1	240	1.1	20.4	35
	T3D	ZF09K4E-TF5	208-230/3/60	9.9	77	1	240	1.1	13.5	20
	T4D	ZF09K4E-TFD	460/3/60	5.0	39	1	240	0.6	6.9	15
	T5D	ZF09K4E-TFE	575/3/60	4.3	31	1	240	0.5	5.9	15
TEZA035L8-*	S2D	ZF11K4E-PFV	208-230/1/60	20.7	109	1	240	1.1	27.0	45
	T3D	ZF11K4E-TF5	208-230/3/60	12.7	88	1	240	1.1	17.0	25
	T4D	ZF11K4E-TFD	460/3/60	6.4	44	1	240	0.6	8.6	15
	T5D	ZF11K4E-TFE	575/3/60	4.6	34	1	240	0.5	6.3	15
TEZA045L8-*	S2D	ZF13K4E-PFV	208-230/1/60	25.0	129	1	400	2.1	33.4	50
	T3D	ZF13K4E-TF5	208-230/3/60	13.8	99	1	400	2.1	19.4	30
	T4D	ZF13K4E-TFD	460/3/60	7.1	49.5	1	400	1.1	10.0	15
	T5D	ZF13K4E-TFE	575/3/60	7.1	40	1	400	0.9	9.8	15
TEZA055L8-*	S2D	ZF15K4E-PFV	208-230/1/60	27.9	169	1	400	2.1	37.0	60
	T3D	ZF15K4E-TF5	208-230/3/60	18.9	123	1	400	2.1	25.7	40
	T4D	ZF15K4E-TFD	460/3/60	8.9	62	1	400	1.1	12.2	20
	T5D	ZF15K4E-TFE	575/3/60	6.4	50	1	400	0.9	8.9	15
TEZA060L8-*	T3D	ZF18K4E-TF5	208-230/3/60	21.8	156	1	400	2.1	29.4	50
	T4D	ZF18K4E-TFD	460/3/60	9.0	75	1	400	1.1	12.4	20
	T5D	ZF18K4E-TFE	575/3/60	7.9	54	1	400	0.9	10.8	15
TEZA075L8-*	T3D	ZF25K4E-TF5	208-230/3/60	26.7	224	1	400	2.1	35.5	60
	T4D	ZF25K4E-TFD	460/3/60	11.9	99	1	400	1.1	16.0	25
	T5D	ZF25K4E-TFE	575/3/60	9.1	82.4	1	400	0.9	12.3	20
TEZA085L8-*	T3D	ZF28K4E-TFC	208-230/3/60	30.4	199	1	400	2.1	40.1	70
	T4D	ZF28K4E-TFD	460/3/60	14.4	121	1	400	1.1	19.1	30
	T5D	ZF28K4E-TFE	575/3/60	11.4	68.9	1	400	0.9	15.2	25
TEZA100L8-*	T3D	ZF34K5E-TFC	208-230/3/60	37.1	239	1	400	2.1	48.5	80
	T4D	ZF34K5E-TFD	460/3/60	17.9	100	1	400	1.1	23.5	40
	T5D	ZF34K5E-TFE	575/3/60	14.3	100	1	400	0.9	18.8	30
TEZA130L8-*	T3D	ZF41K5E-TFC	208-230/3/60	42.1	248	2	800	4.2	56.8	90
	T4D	ZF41K5E-TFD	460/3/60	19.3	125	2	800	2.2	26.3	45
	T5D	ZF41K5E-TFE	575/3/60	15.6	100	2	800	1.8	21.3	35
TEZA150L8-*	T3D	ZF49K5E-TFC	208-230/3/60	50.7	339	2	800	4.2	67.6	100
	T4D	ZF49K5E-TFD	460/3/60	20.2	139	2	800	2.2	27.5	45
	T5D	ZF49K5E-TFE	575/3/60	18.2	123	2	800	1.8	24.6	40
TEZA170L8-*	T3D	ZF54K5E-TFC	208-230/3/60	58.7	423	2	1560	7.2	80.6	125
	T4D	ZF54K5E-TFD	460/3/60	28.6	185	2	1560	3.4	39.2	60
	T5D	ZF54K5E-TFE	575/3/60	22.9	145	2	1560	2.8	31.4	50

* I = Indoor, H = Outdoor. Above listed RLA value is based on UL rating method and may differ from published compressor RLA data.

** SMARTSPEED EC Motor Standard

Models with Optional SMARTSPEED™ EC Motors

Model TEZA	Compressor Model No.	Power Supply	Compressor		ECM Condenser Fan Motor			Unit		
			RLA	LRA	Quantity	Watts	FLA	MCA	MOP	
TEZA010H8-*	S2D	ZS09KAE-PFV	208-230/1/60	10.0	40.3	1	175	2.0	14.5	20
	T3D	ZS09KAE-TF5	208-230/3/60	8.0	55.4	1	175	2.0	12.0	20
	T4D	ZS09KAE-TFD	460/3/60	3.8	28	1	175	1.0	5.8	15
TEZA011H8-*	S2D	ZS11KAE-PFV	208-230/1/60	12.6	55	1	175	2.0	17.8	30
	T3D	ZS11KAE-TF5	208-230/3/60	10.4	58	1	175	2.0	15.0	25
	T4D	ZS11KAE-TFD	460/3/60	4.3	28	1	175	1.0	6.4	15
TEZA015H8-*	S2D	ZS13KAE-PFV	208-230/1/60	12.0	56	1	175	2.0	17.0	25
	T3D	ZS13KAE-TF5	208-230/3/60	9.7	58	1	175	2.0	14.1	20
	T4D	ZS13KAE-TFD	460/3/60	4.8	29	1	175	1.0	7.0	15
	T5D	ZS13KAE-TFE	575/3/60	3.6	24.5	1	175	0.8	5.3	15
TEZA020H8-*	S2D	ZS15KAE-PFV	208-230/1/60	15.7	68	1	175	2.0	21.6	35
	T3D	ZS15KAE-TF5	208-230/3/60	10.6	58	1	175	2.0	15.3	25
	T4D	ZS15KAE-TFD	460/3/60	5.4	29	1	175	1.0	7.8	15
	T5D	ZS15KAE-TFE	575/3/60	3.9	24	1	175	0.8	5.7	15
TEZA025H8-*	S2D	ZS19KAE-PFV	208-230/1/60	18.0	75	1	315	3.5	26.0	40
	T3D	ZS19KAE-TF5	208-230/3/60	13.7	73	1	315	3.5	20.6	30
	T4D	ZS19KAE-TFD	460/3/60	6.5	38	1	315	1.8	9.9	15
	T5D	ZS19KAE-TFE	575/3/60	4.3	28	1	315	1.4	6.8	15
TEZA030H8-*	S2D	ZS21KAE-PFV	208-230/1/60	23.2	112	1	315	3.5	32.5	50
	T3D	ZS21KAE-TF5	208-230/3/60	15.2	93	1	315	3.5	22.5	35
	T4D	ZS21KAE-TFD	460/3/60	6.9	48	1	315	1.8	10.4	15
	T5D	ZS21KAE-TFE	575/3/60	5.8	33	1	315	1.4	8.7	15
TEZA035H8-*	S2D	ZS26KAE-PFV	208-230/1/60	23.6	104	1	315	3.5	33.0	50
	T3D	ZS26KAE-TF5	208-230/3/60	15.5	93	1	315	3.5	22.9	35
	T4D	ZS26KAE-TFD	460/3/60	6.9	48	1	315	1.8	10.4	15
	T5D	ZS26KAE-TFE	575/3/60	6.4	38	1	315	1.4	9.4	15
TEZA040H8-*	S2D	ZS29KAE-PFV	208-230/1/60	26.1	137	1	315	3.5	36.1	60
	T3D	ZS29KAE-TF5	208-230/3/60	20.5	114	1	315	3.5	29.1	45
	T4D	ZS29KAE-TFD	460/3/60	9.4	58	1	315	1.8	13.6	20
	T5D	ZS29KAE-TFE	575/3/60	5.8	43	1	315	1.4	8.7	15
TEZA045H8-*	S2D	ZS33KAE-PFV	208-230/1/60	25.6	146	1	315	3.5	35.5	60
	T3D	ZS33KAE-TF5	208-230/3/60	22.3	114	1	315	3.5	31.4	50
	T4D	ZS33KAE-TFD	460/3/60	10.0	52	1	315	1.8	14.3	20
	T5D	ZS33KAE-TFE	575/3/60	6.9	39.5	1	315	1.4	10.0	15
TEZA050H8-*	S2D	ZB38KCE-PFV	208-230/1/60	31.1	175	1	315	3.5	42.4	70
	T3D	ZB38KCE-TF5	208-230/3/60	22.1	128	1	315	3.5	31.1	50
	T4D	ZB38KCE-TFD	460/3/60	9.6	63	1	315	1.8	13.8	20
	T5D	ZB38KCE-TFE	575/3/60	7.1	50	1	315	1.4	10.3	15
TEZA060H8-*	T3D	ZB45KCE-TF5	208-230/3/60	22.5	156	1	315	3.5	31.6	50
	T4D	ZB45KCE-TFD	460/3/60	11.5	75	1	315	1.8	16.2	25
	T5D	ZB45KCE-TFE	575/3/60	7.9	54	1	315	1.4	11.3	15
TEZA061H8-*	T3D	ZB48KCE-TF5	208-230/3/60	25.4	164	1	315	3.5	35.3	60
	T4D	ZB48KCE-TFD	460/3/60	13.6	100	1	315	1.8	18.8	30
	T5D	ZB48KCE-TFE	575/3/60	10.1	78	1	315	1.4	14.0	20
TEZA070H8-*	T3D	ZB57KCE-TF5	208-230/3/60	35.5	224	2	630	7.0	51.4	80
	T4D	ZB57KCE-TFD	460/3/60	15.2	99	2	630	3.6	22.6	35
	T5D	ZB57KCE-TFE	575/3/60	11.6	82.4	2	630	2.8	17.3	25
TEZA076H8-*	T3D	ZB66K5E-TFC	208-230/3/60	39.3	225	2	630	7.0	56.1	90
	T4D	ZB66K5E-TFD	460/3/60	17.3	114	2	630	3.6	25.2	40
	T5D	ZB66K5E-TFE	575/3/60	14.3	80	2	630	2.8	20.7	35
TEZA085H8-*	T3D	ZB76K5E-TFC	208-230/3/60	43.0	239	2	630	7.0	60.8	100
	T4D	ZB76K5E-TFD	460/3/60	20.7	125	2	630	3.6	29.5	50
	T5D	ZB76K5E-TFE	575/3/60	14.6	80	2	630	2.8	21.1	35
TEZA110H8-*	T3D	ZB95K5E-TWC	208-230/3/60	52.9	298	2	1180	10.6	76.7	125
	T4D	ZB95K5E-TFD	460/3/60	25.0	150	2	1180	5.8	37.1	60
	T5D	ZB95K5E-TFE	575/3/60	20.8	123	2	1180	4.2	30.2	50
TEZA150H8-*	T3D	ZB114K5E-TWC	208-230/3/60	63.0	321	2	1180	10.6	89.4	150
	T4D	ZB114K5E-TFD	460/3/60	27.9	179	2	1180	5.8	40.7	60
	T5D	ZB114K5E-TWE	575/3/60	22.4	132	2	1180	4.2	32.2	50

* I = Indoor, H = Outdoor. Above listed RLA value is based on UL rating method and may differ from published compressor RLA data.

table continues on next page >>>

Models with Optional SMARTSPEED™ EC Motors (cont'd)

Model TEZA	Compressor Model No.	Power Supply	Compressor		ECM Condenser Fan Motor			Unit		
			RLA	LRA	Quantity	Watts	FLA	MCA	MOP	
TEZA025L8-*	S2D	ZF08K4E-PFV	208-230/1/60	16.4	73	1	175	2.0	22.5	35
	T3D	ZF08K4E-TF5	208-230/3/60	9.6	63	1	175	2.0	14.0	20
	T4D	ZF08K4E-TFD	460/3/60	5.0	31	1	175	1.0	7.3	15
TEZA030L8-*	S2D	ZF09K4E-PFV	208-230/1/60	15.4	88	1	175	2.0	21.3	35
	T3D	ZF09K4E-TF5	208-230/3/60	9.9	77	1	175	2.0	14.4	20
	T4D	ZF09K4E-TFD	460/3/60	5.0	39	1	175	1.0	7.3	15
	T5D	ZF09K4E-TFE	575/3/60	4.3	31	1	175	0.8	6.2	15
TEZA035L8-*	S2D	ZF11K4E-PFV	208-230/1/60	20.7	109	1	175	2.0	27.9	45
	T3D	ZF11K4E-TF5	208-230/3/60	12.7	88	1	175	2.0	17.9	30
	T4D	ZF11K4E-TFD	460/3/60	6.4	44	1	175	1.0	9.0	15
	T5D	ZF11K4E-TFE	575/3/60	4.6	34	1	175	0.8	6.6	15
TEZA045L8-*	S2D	ZF13K4E-PFV	208-230/1/60	25.0	129	1	315	3.5	34.8	60
	T3D	ZF13K4E-TF5	208-230/3/60	13.8	99	1	315	3.5	20.8	30
	T4D	ZF13K4E-TFD	460/3/60	7.1	49.5	1	315	1.8	10.7	15
	T5D	ZF13K4E-TFE	575/3/60	7.1	40	1	315	1.4	10.3	15
TEZA055L8-*	S2D	ZF15K4E-PFV	208-230/1/60	27.9	169	1	315	3.5	38.4	60
	T3D	ZF15K4E-TF5	208-230/3/60	18.9	123	1	315	3.5	27.1	45
	T4D	ZF15K4E-TFD	460/3/60	8.9	62	1	315	1.8	12.9	20
	T5D	ZF15K4E-TFE	575/3/60	6.4	50	1	315	1.4	9.4	15
TEZA060L8-*	T3D	ZF18K4E-TF5	208-230/3/60	21.8	156	1	315	3.5	30.8	50
	T4D	ZF18K4E-TFD	460/3/60	9.0	75	1	315	1.8	13.1	20
	T5D	ZF18K4E-TFE	575/3/60	7.9	54	1	315	1.4	11.3	15
TEZA075L8-*	T3D	ZF25K4E-TF5	208-230/3/60	26.7	224	1	315	3.5	36.9	60
	T4D	ZF25K4E-TFD	460/3/60	11.9	99	1	315	1.8	16.7	25
	T5D	ZF25K4E-TFE	575/3/60	9.1	82.4	1	315	1.4	12.8	20
TEZA085L8-*	T3D	ZF28K4E-TFC	208-230/3/60	30.4	199	1	315	3.5	41.5	70
	T4D	ZF28K4E-TFD	460/3/60	14.4	121	1	315	1.8	19.8	30
	T5D	ZF28K4E-TFE	575/3/60	11.4	68.9	1	315	1.4	15.7	25
TEZA100L8-*	T3D	ZF34K5E-TFC	208-230/3/60	37.1	239	1	315	3.5	49.9	80
	T4D	ZF34K5E-TFD	460/3/60	17.9	100	1	315	1.8	24.2	40
	T5D	ZF34K5E-TFE	575/3/60	14.3	100	1	315	1.4	19.3	30
TEZA130L8-*	T3D	ZF41K5E-TFC	208-230/3/60	42.1	248	2	630	7.0	59.6	100
	T4D	ZF41K5E-TFD	460/3/60	19.3	125	2	630	3.6	27.7	45
	T5D	ZF41K5E-TFE	575/3/60	15.6	100	2	630	2.8	22.3	35
TEZA150L8-*	T3D	ZF49K5E-TFC	208-230/3/60	50.7	339	2	630	7.0	70.4	120
	T4D	ZF49K5E-TFD	460/3/60	20.2	139	2	630	3.6	28.9	45
	T5D	ZF49K5E-TFE	575/3/60	18.2	123	2	630	2.8	25.6	40
TEZA170L8-*	T3D	ZF54K5E-TFC	208-230/3/60	58.7	423	2	1180	10.6	84.0	125
	T4D	ZF54K5E-TFD	460/3/60	28.6	185	2	1180	5.4	41.2	70
	T5D	ZF54K5E-TFE	575/3/60	22.9	145	2	1180	4.2	32.8	50

* I = Indoor, H = Outdoor. Above listed RLA value is based on UL rating method and may differ from published compressor RLA data.

Annual Walk-In Energy Factor Ratings - High/Medium Temperature

If a numerical value is listed in the table below, the following statement applies to that corresponding model: " This refrigeration system is designed and certified for use in walk-in cooler applications."

Model TEZA	Power Supply	Outdoor Models				Indoor Models				
		R404A	R407A	R448A	R407C	R404A	R407A	R448A	R407C	
		R507		R449A		R507		R449A		
TEZA007H8-*	S2D	208-230/1/60	7.6	-	7.6	-	-	-	-	-
	T3D	208-230/3/60	7.6	-	7.6	-	-	-	-	-
TEZA008H8-*	S2D	208-230/1/60	7.6	7.6	7.6	-	-	-	-	-
	T3D	208-230/3/60	7.6	7.6	7.6	-	-	-	-	-
TEZA009H8-*	S2D	208-230/1/60	7.6	7.6	7.6	7.6	-	-	-	-
	T3D	208-230/3/60	7.6	7.6	7.6	7.6	-	-	-	-
TEZA010H8-*	S2D	208-230/1/60	7.6	7.6	7.6	-	-	-	-	-
	T3D	208-230/3/60	7.6	7.6	7.6	-	-	-	-	-
	T4D	460/3/60	7.6	7.6	7.6	-	-	-	-	-
TEZA011H8-*	S2D	208-230/1/60	7.6	7.6	7.6	-	5.61	5.61	-	-
	T3D	208-230/3/60	7.6	7.6	7.6	-	5.61	5.61	-	-
	T4D	460/3/60	7.6	7.6	7.6	-	5.61	5.61	-	-
TEZA015H8-*	S2D	208-230/1/60	7.6	7.6	7.6	7.6	-	5.61	-	-
	T3D	208-230/3/60	7.6	7.6	7.6	7.6	-	5.61	-	-
	T4D	460/3/60	7.6	7.6	7.6	7.6	-	5.61	-	-
	T5D	575/3/60	7.6	7.6	7.6	7.6	-	5.61	-	-
TEZA020H8-*	S2D	208-230/1/60	7.6	7.6	7.6	7.6	-	-	-	-
	T3D	208-230/3/60	7.6	7.6	7.6	7.6	-	-	-	-
	T4D	460/3/60	7.6	7.6	7.6	7.6	-	-	-	-
	T5D	575/3/60	7.6	7.6	7.6	7.6	-	-	-	-
TEZA025H8-*	S2D	208-230/1/60	7.6	7.6	7.6	7.6	5.61	5.61	5.61	5.61
	T3D	208-230/3/60	7.6	7.6	7.6	7.6	5.61	5.61	5.61	5.61
	T4D	460/3/60	7.6	7.6	7.6	7.6	5.61	5.61	5.61	5.61
	T5D	575/3/60	7.6	7.6	7.6	7.6	5.61	5.61	5.61	5.61
TEZA030H8-*	S2D	208-230/1/60	7.6	7.6	7.6	7.6	5.61	5.61	5.61	5.61
	T3D	208-230/3/60	7.6	7.6	7.6	7.6	5.61	5.61	5.61	5.61
	T4D	460/3/60	7.6	7.6	7.6	7.6	5.61	5.61	5.61	5.61
	T5D	575/3/60	7.6	7.6	7.6	7.6	5.61	5.61	5.61	5.61
TEZA035H8-*	S2D	208-230/1/60	7.6	7.6	7.6	7.6	5.61	5.61	5.61	5.61
	T3D	208-230/3/60	7.6	7.6	7.6	7.6	5.61	5.61	5.61	5.61
	T4D	460/3/60	7.6	7.6	7.6	7.6	5.61	5.61	5.61	5.61
	T5D	575/3/60	7.6	7.6	7.6	7.6	5.61	5.61	5.61	5.61
TEZA040H8-*	S2D	208-230/1/60	7.6	7.6	7.6	7.6	5.61	5.61	5.61	5.61
	T3D	208-230/3/60	7.6	7.6	7.6	7.6	5.61	5.61	5.61	5.61
	T4D	460/3/60	7.6	7.6	7.6	7.6	5.61	5.61	5.61	5.61
	T5D	575/3/60	7.6	7.6	7.6	7.6	5.61	5.61	5.61	5.61
TEZA045H8-*	S2D	208-230/1/60	7.6	7.6	7.6	7.6	5.61	5.61	5.61	5.61
	T3D	208-230/3/60	7.6	7.6	7.6	7.6	5.61	5.61	5.61	5.61
	T4D	460/3/60	7.6	7.6	7.6	7.6	5.61	5.61	5.61	5.61
	T5D	575/3/60	7.6	7.6	7.6	7.6	5.61	5.61	5.61	5.61
TEZA050H8-*	S2D	208-230/1/60	7.6	7.6	7.6	7.6	-	5.61	5.61	5.61
	T3D	208-230/3/60	7.6	7.6	7.6	7.6	-	5.61	5.61	5.61
	T4D	460/3/60	7.6	7.6	7.6	7.6	-	5.61	5.61	5.61
	T5D	575/3/60	7.6	7.6	7.6	7.6	-	5.61	5.61	5.61
TEZA060H8-*	T3D	208-230/3/60	7.6	7.6	7.6	7.6	5.61	5.61	5.61	5.61
	T4D	460/3/60	7.6	7.6	7.6	7.6	5.61	5.61	5.61	5.61
	T5D	575/3/60	7.6	7.6	7.6	7.6	5.61	5.61	5.61	5.61
TEZA061H8-*	T3D	208-230/3/60	7.6	7.6	7.6	7.6	5.61	5.61	5.61	5.61
	T4D	460/3/60	7.6	7.6	7.6	7.6	5.61	5.61	5.61	5.61
	T5D	575/3/60	7.6	7.6	7.6	7.6	5.61	5.61	5.61	5.61
TEZA070H8-*	T3D	208-230/3/60	7.6	7.6	7.6	7.6	5.61	5.61	5.61	5.61
	T4D	460/3/60	7.6	7.6	7.6	7.6	5.61	5.61	5.61	5.61
	T5D	575/3/60	7.6	7.6	7.6	7.6	5.61	5.61	5.61	5.61
TEZA076H8-*	T3D	208-230/3/60	7.6	7.6	7.6	7.6	5.61	5.61	5.61	5.61
	T4D	460/3/60	7.6	7.6	7.6	7.6	5.61	5.61	5.61	5.61
	T5D	575/3/60	7.6	7.6	7.6	7.6	5.61	5.61	5.61	5.61
TEZA085H8-*	T3D	208-230/3/60	7.6	7.6	7.6	7.6	-	5.61	5.61	5.61
	T4D	460/3/60	7.6	7.6	7.6	7.6	-	5.61	5.61	5.61
	T5D	575/3/60	7.6	7.6	7.6	7.6	-	5.61	5.61	5.61
TEZA110H8-*	T3D	208-230/3/60	7.6	7.6	7.6	7.6	5.61	5.61	5.61	5.61
	T4D	460/3/60	7.6	7.6	7.6	7.6	5.61	5.61	5.61	5.61
	T5D	575/3/60	7.6	7.6	7.6	7.6	5.61	5.61	5.61	5.61
TEZA150H8-*	T3D	208-230/3/60	7.6	7.6	7.6	7.6	-	-	5.61	5.61
	T4D	460/3/60	7.6	7.6	7.6	7.6	-	-	5.61	5.61
	T5D	575/3/60	7.6	7.6	7.6	7.6	-	-	5.61	5.61

- = Non-compliant model

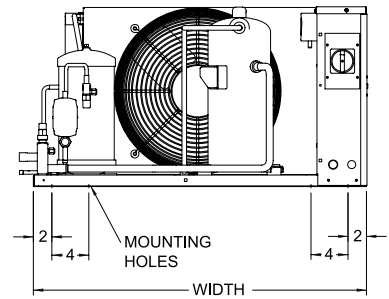
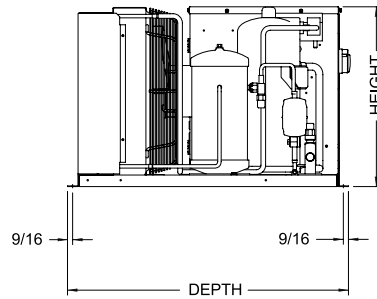
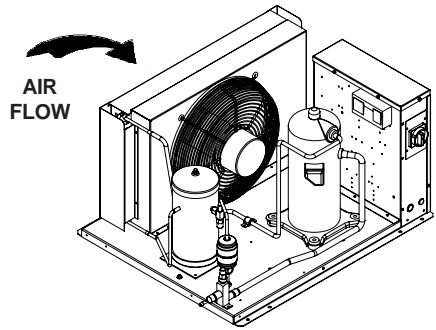
Annual Walk-In Energy Factor Ratings - Low Temperature

If a numerical value is listed in the table below, the following statement applies to that corresponding model: " This refrigeration system is designed and certified for use in walk-in freezer applications."

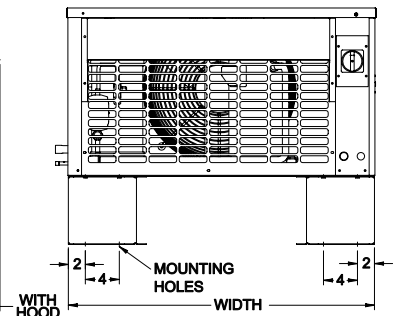
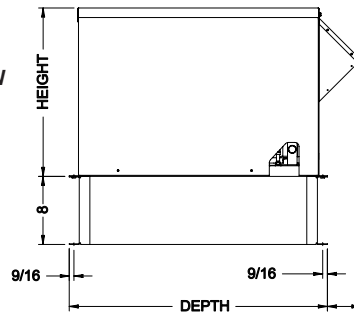
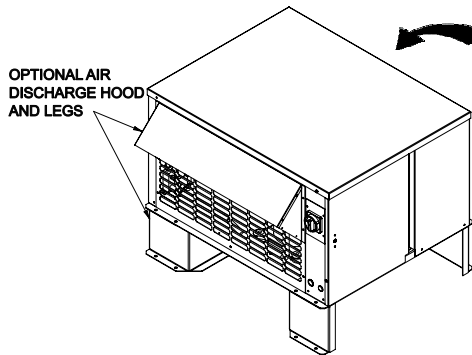
Model TEZA	Power Supply	Outdoor Models			Indoor Models			
		R404A	R407A	R448A	R404A	R407A	R448A	
		R507		R449A	R507		R449A	
TEZA008L8-*	S2D	208-230/1/60	2.88	-	-	2.03	-	-
	T3D	208-230/3/60	2.88	-	-	2.03	-	-
TEZA010L8-*	S2D	208-230/1/60	2.93	-	2.92	-	-	2.09
	T3D	208-230/3/60	2.93	-	2.92	-	-	-
TEZA015L8-*	S2D	208-230/1/60	2.97	2.95	2.97	2.17	-	2.16
	T3D	208-230/3/60	2.97	2.95	2.97	-	-	2.16
TEZA020L8-*	S2D	208-230/1/60	3.08	3.07	3.09	-	-	-
	T3D	208-230/3/60	3.08	3.07	3.09	-	-	-
TEZA025L8-*	S2D	208-230/1/60	3.14	-	-	-	-	-
	T3D	208-230/3/60	3.14	3.10	3.13	2.40	-	2.40
	T4D	460/3/60	3.14	3.10	3.13	-	-	2.40
TEZA030L8-*	S2D	208-230/1/60	3.15	-	3.15	-	-	2.40
	T3D	208-230/3/60	3.15	3.15	3.15	2.40	-	2.40
	T4D	460/3/60	3.15	3.15	3.15	2.40	-	2.40
	T5D	575/3/60	3.15	3.15	3.15	2.40	-	2.40
TEZA035L8-*	S2D	208-230/1/60	3.15	-	3.15	-	-	-
	T3D	208-230/3/60	3.15	3.15	3.15	2.40	-	2.40
	T4D	460/3/60	3.15	3.15	3.15	2.40	-	2.40
	T5D	575/3/60	3.15	3.15	3.15	2.40	-	2.40
TEZA045L8-*	S2D	208-230/1/60	3.15	3.15	3.15	2.40	-	-
	T3D	208-230/3/60	3.15	3.15	3.15	2.40	2.40	2.40
	T4D	460/3/60	3.15	3.15	3.15	2.40	2.40	2.40
	T5D	575/3/60	3.15	3.15	3.15	2.40	2.40	2.40
TEZA055L8-*	S2D	208-230/1/60	3.15	-	3.15	-	-	2.40
	T3D	208-230/3/60	3.15	3.15	3.15	2.40	2.40	2.40
	T4D	460/3/60	3.15	3.15	3.15	2.40	2.40	2.40
	T5D	575/3/60	3.15	3.15	3.15	2.40	2.40	2.40
TEZA060L8-*	T3D	208-230/3/60	3.15	3.15	3.15	2.40	2.40	2.40
	T4D	460/3/60	3.15	3.15	3.15	2.40	2.40	2.40
	T5D	575/3/60	3.15	3.15	3.15	2.40	2.40	2.40
TEZA075L8-*	T3D	208-230/3/60	3.15	3.15	3.15	2.40	2.40	2.40
	T4D	460/3/60	3.15	3.15	3.15	2.40	2.40	2.40
	T5D	575/3/60	3.15	3.15	3.15	2.40	2.40	2.40
TEZA085L8-*	T3D	208-230/3/60	3.15	-	3.15	2.40	-	2.40
	T4D	460/3/60	3.15	-	3.15	2.40	-	2.40
	T5D	575/3/60	3.15	-	3.15	2.40	-	2.40
TEZA100L8-*	T3D	208-230/3/60	3.15	3.15	3.15	2.40	2.40	2.40
	T4D	460/3/60	3.15	3.15	3.15	2.40	2.40	2.40
	T5D	575/3/60	3.15	3.15	3.15	2.40	2.40	2.40
TEZA130L8-*	T3D	208-230/3/60	3.15	-	3.15	2.40	-	2.40
	T4D	460/3/60	3.15	-	3.15	2.40	-	2.40
	T5D	575/3/60	3.15	-	3.15	2.40	-	2.40
TEZA150L8-*	T3D	208-230/3/60	3.15	-	3.15	-	-	-
	T4D	460/3/60	3.15	-	3.15	-	-	-
	T5D	575/3/60	3.15	-	3.15	-	-	-
TEZA170L8-*	T3D	208-230/3/60	-	-	3.15	-	-	-
	T4D	460/3/60	-	-	3.15	-	-	-
	T5D	575/3/60	-	-	3.15	-	-	-

- = Non-compliant model

Drawing A: 1 Fan Models, Chassis 1 and 2

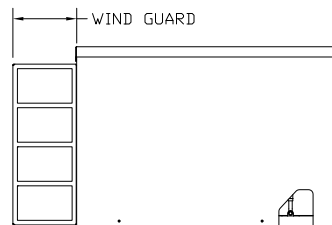
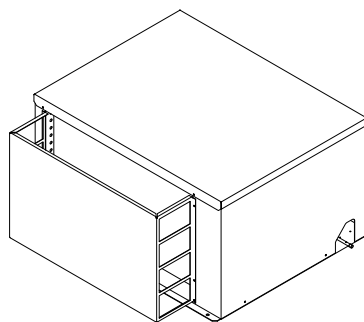


INDOOR DIMENSIONS



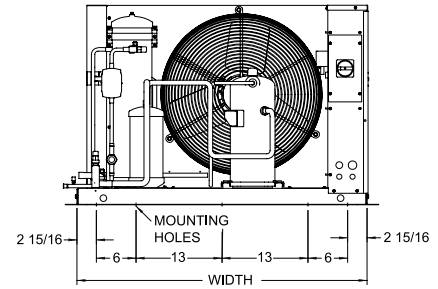
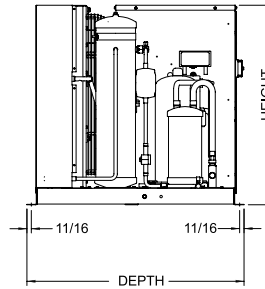
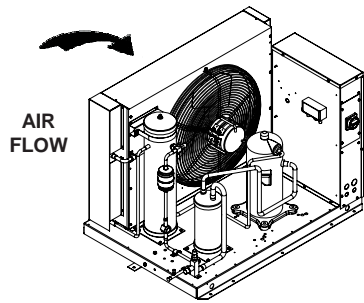
OUTDOOR DIMENSIONS

NOTE: Discharge hood, legs and wind guard are optional components

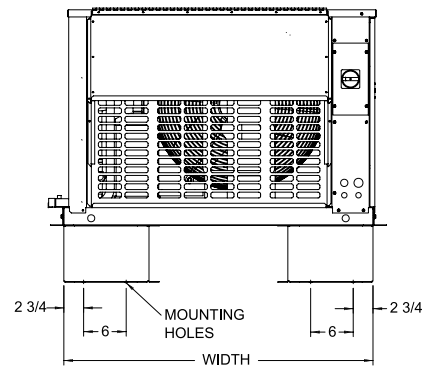
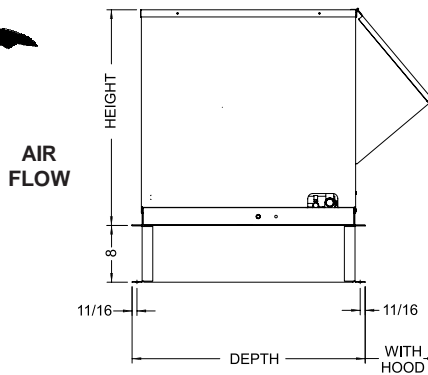
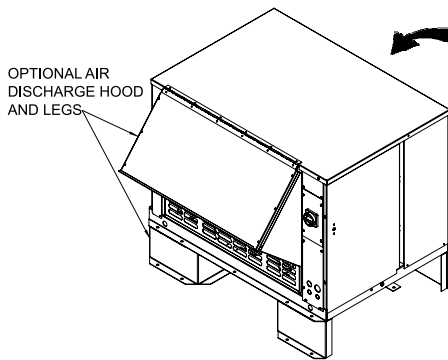


REFER TO PAGE 29 FOR DIMENSIONAL DATA FOR SPECIFIC MODELS

Drawing B: 1 Fan Models, Chassis 3 and 4

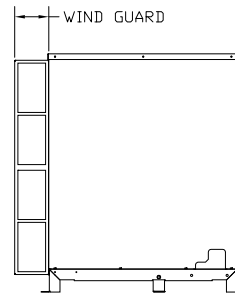
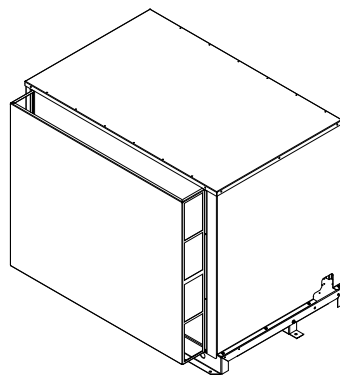


INDOOR DIMENSIONS



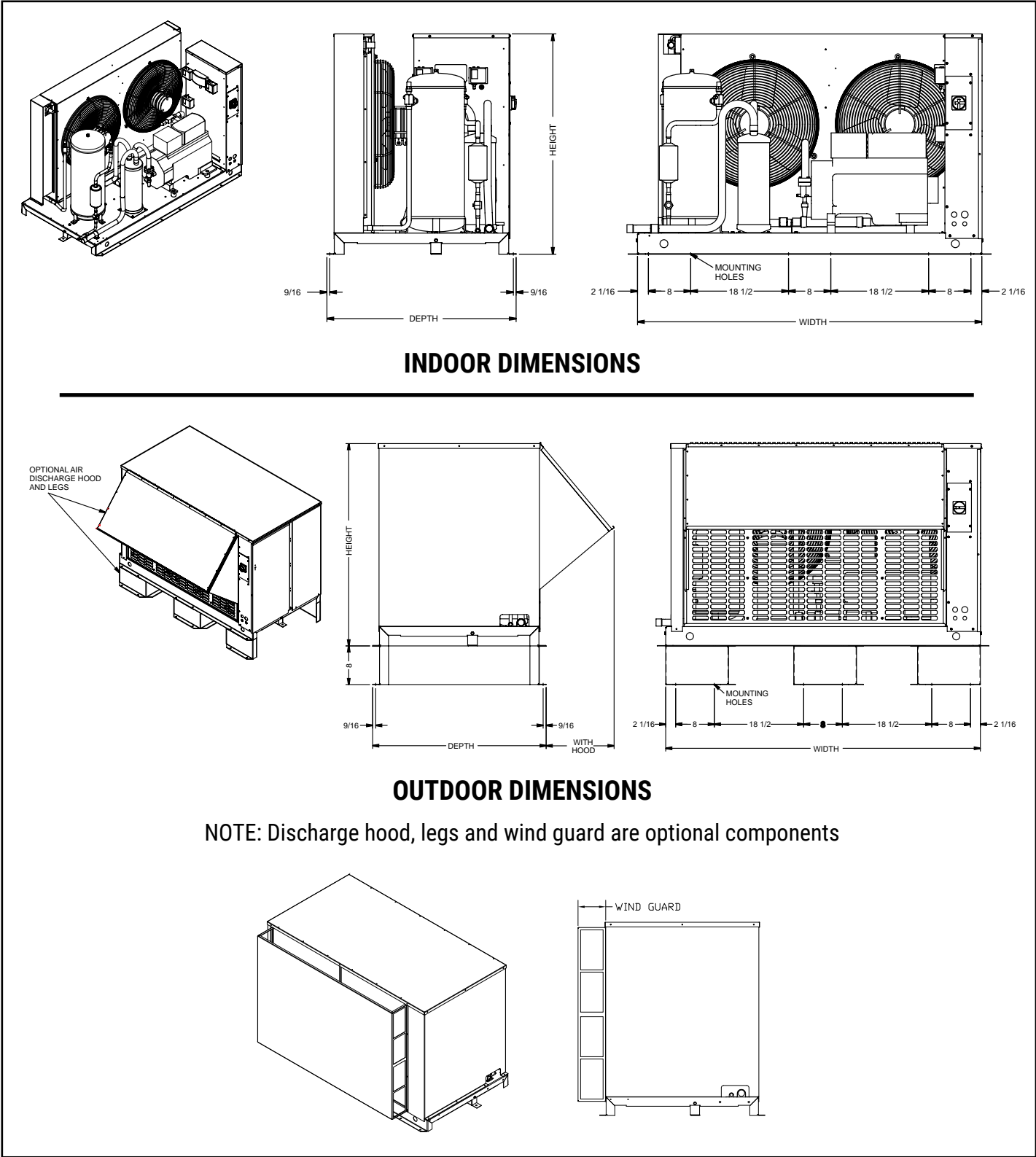
OUTDOOR DIMENSIONS

NOTE: Discharge hood, legs and wind guard are optional components

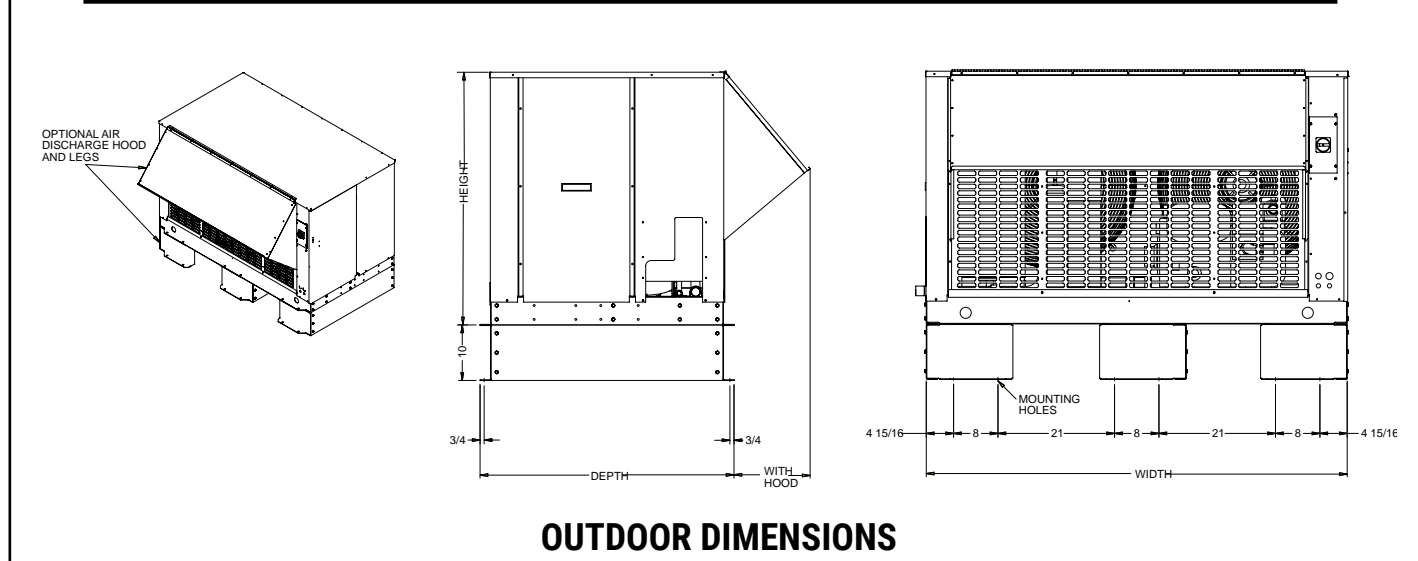
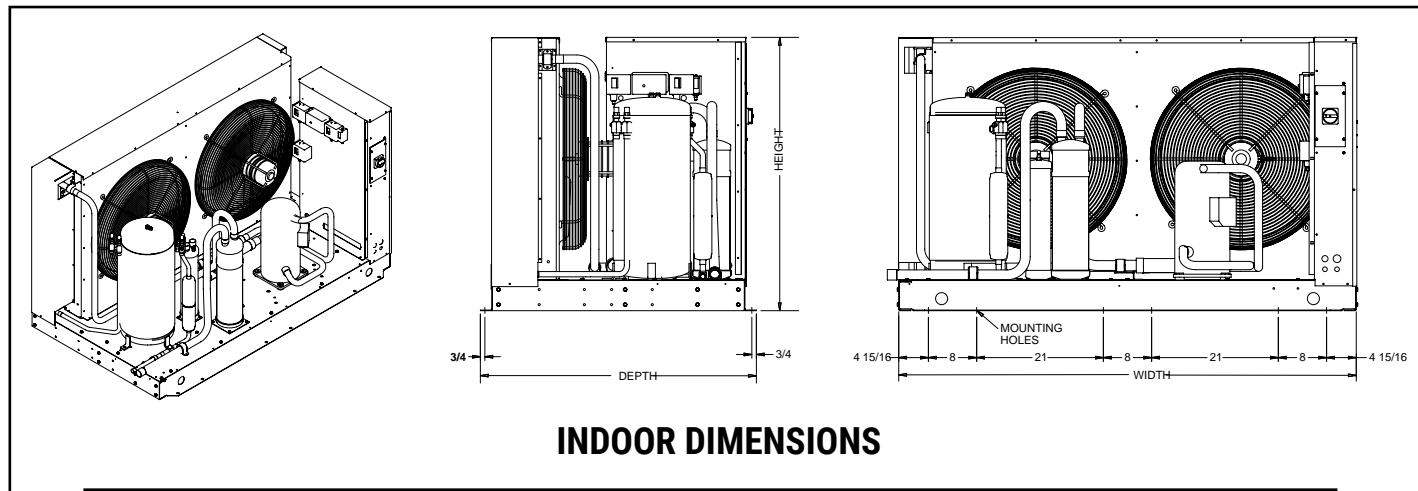


**REFER TO PAGE 29 FOR
DIMENSIONAL DATA FOR SPECIFIC MODELS**

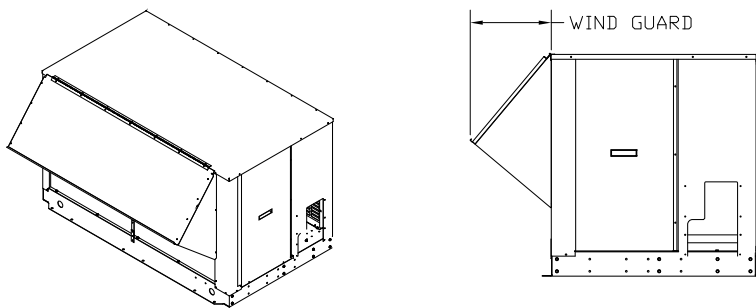
Drawing C: 2 Fan Models, Chassis 5



Drawing D: 2 Fan Models, Chassis 6



NOTE: Discharge hood, legs and wind guard are optional components



**REFER TO PAGE 29 FOR
DIMENSIONAL DATA FOR SPECIFIC MODELS**

DIMENSIONAL DATA

TEZ - SCROLL CONDENSING UNITS

Model TEZA	Chassis (see details below)	Outdoor Models								Indoor Models					
		Width		Depth				Height		Width		Depth		Height	
				Base		with Hood									
		Inches	mm	Inches	mm	Inches	mm	Inches	mm	Inches	mm	Inches	mm	Inches	mm
TEZA007H8	1	24 7/8	632	30 3/8	772	34 3/8	873	19 3/8	492	24 5/8	625	30 3/8	772	19	483
TEZA008H8		24 7/8	632	30 3/8	772	34 3/8	873	19 3/8	492	24 5/8	625	30 3/8	772	19	483
TEZA009H8		24 7/8	632	30 3/8	772	34 3/8	873	19 3/8	492	24 5/8	625	30 3/8	772	19	483
TEZA010H8	2	36 3/8	924	30 3/8	772	34 3/8	873	19 7/8	505	36 3/8	924	30 3/8	772	19 1/2	495
TEZA011H8		36 3/8	924	30 3/8	772	34 3/8	873	19 7/8	505	36 3/8	924	30 3/8	772	19 1/2	495
TEZA015H8		36 3/8	924	30 3/8	772	34 3/8	873	19 7/8	505	36 3/8	924	30 3/8	772	19 1/2	495
TEZA020H8		36 3/8	924	30 3/8	772	34 3/8	873	19 7/8	505	36 3/8	924	30 3/8	772	19 1/2	495
TEZA025H8	3	43 7/8	1114	32 7/8	835	43	1092	30 3/8	772	43 7/8	1114	32 7/8	835	30 1/16	767
TEZA030H8		43 7/8	1114	32 7/8	835	43	1092	30 3/8	772	43 7/8	1114	32 7/8	835	30 3/16	767
TEZA035H8		43 7/8	1114	32 7/8	835	43	1092	30 3/8	772	43 7/8	1114	32 7/8	835	30 3/16	767
TEZA040H8		43 7/8	1114	32 7/8	835	43	1092	30 3/8	772	43 7/8	1114	32 7/8	835	30 3/16	767
TEZA045H8		43 7/8	1114	32 7/8	835	43	1092	30 3/8	772	43 7/8	1114	32 7/8	835	30 3/16	767
TEZA050H8		43 7/8	1114	32 7/8	835	43	1092	30 3/8	772	43 7/8	1114	32 7/8	835	30 3/16	767
TEZA060H8	4	52 1/8	1324	35 7/8	911	43	1092	41 7/8	1064	52 1/8	1324	35 7/8	911	41 11/16	1059
TEZA061H8		52 1/8	1324	35 7/8	911	43	1092	41 7/8	1064	52 1/8	1324	35 7/8	911	41 11/16	1059
TEZA070H8	5	65 1/8	1654	35 7/8	911	43	1092	41 7/8	1064	65 1/8	1654	35 7/8	911	41 11/16	1059
TEZA076H8		65 1/8	1654	35 7/8	911	43	1092	41 7/8	1064	65 1/8	1654	35 7/8	911	41 11/16	1059
TEZA085H8		65 1/8	1654	35 7/8	911	43	1092	41 7/8	1064	65 1/8	1654	35 7/8	911	41 11/16	1059
TEZA110H8	6	75 7/8	1927	45 3/4	1162	59	1511	45 1/2	1156	75 7/8	1927	45 3/4	1162	45 17/32	1156
TEZA150H8		75 7/8	1927	45 3/4	1162	59	1511	45 1/2	1156	75 7/8	1927	45 3/4	1162	45 17/32	1156
TEZA008L8	1	24 7/8	632	30 3/8	772	34 3/8	873	19 3/8	492	24 5/8	625	30 3/8	772	19	483
TEZA010L8		24 7/8	632	30 3/8	772	34 3/8	873	19 3/8	492	24 5/8	625	30 3/8	772	19	483
TEZA015L8		24 7/8	632	30 3/8	772	34 3/8	873	19 3/8	492	24 5/8	625	30 3/8	772	19	483
TEZA020L8		24 7/8	632	30 3/8	772	34 3/8	873	19 3/8	492	24 5/8	625	30 3/8	772	19	483
TEZA025L8	2	36 3/8	924	30 3/8	772	34 3/8	873	19 7/8	505	36 3/8	924	30 3/8	772	19 1/2	495
TEZA030L8		36 3/8	924	30 3/8	772	34 3/8	873	19 7/8	505	36 3/8	924	30 3/8	772	19 1/2	495
TEZA035L8		36 3/8	924	30 3/8	772	34 3/8	873	19 7/8	505	36 3/8	924	30 3/8	772	19 1/2	495
TEZA045L8	3	43 7/8	1114	32 7/8	835	43	1092	30 3/8	772	43 7/8	1114	32 7/8	835	30 3/16	767
TEZA055L8		43 7/8	1114	32 7/8	835	43	1092	30 3/8	772	43 7/8	1114	32 7/8	835	30 3/16	767
TEZA060L8		43 7/8	1114	32 7/8	835	43	1092	30 3/8	772	43 7/8	1114	32 7/8	835	30 3/16	767
TEZA075L8	4	52 1/8	1324	35 7/8	911	43	1092	41 7/8	1064	52 1/8	1324	35 7/8	911	41 11/16	1059
TEZA085L8		52 1/8	1324	35 7/8	911	43	1092	41 7/8	1064	52 1/8	1324	35 7/8	911	41 11/16	1059
TEZA100L8		52 1/8	1324	35 7/8	911	43	1092	41 7/8	1064	52 1/8	1324	35 7/8	911	41 11/16	1059
TEZA130L8	5	65 1/8	1654	35 7/8	911	43	1092	41 7/8	1064	65 1/8	1654	35 7/8	911	41 11/16	1059
TEZA150L8		65 1/8	1654	35 7/8	911	43	1092	41 7/8	1064	65 1/8	1654	35 7/8	911	41 11/16	1059
TEZA170L8	6	75 7/8	1927	45 3/4	1162	59	1511	45 1/2	1156	75 7/8	1927	45 3/4	1162	45 17/32	1156

Chassis	Drawing	See Page #
1	A	25
2	A	25
3	B	26
4	B	26
5	C	27
6	D	28

SPECIFICATIONS

TEZ - SCROLL CONDENSING UNITS

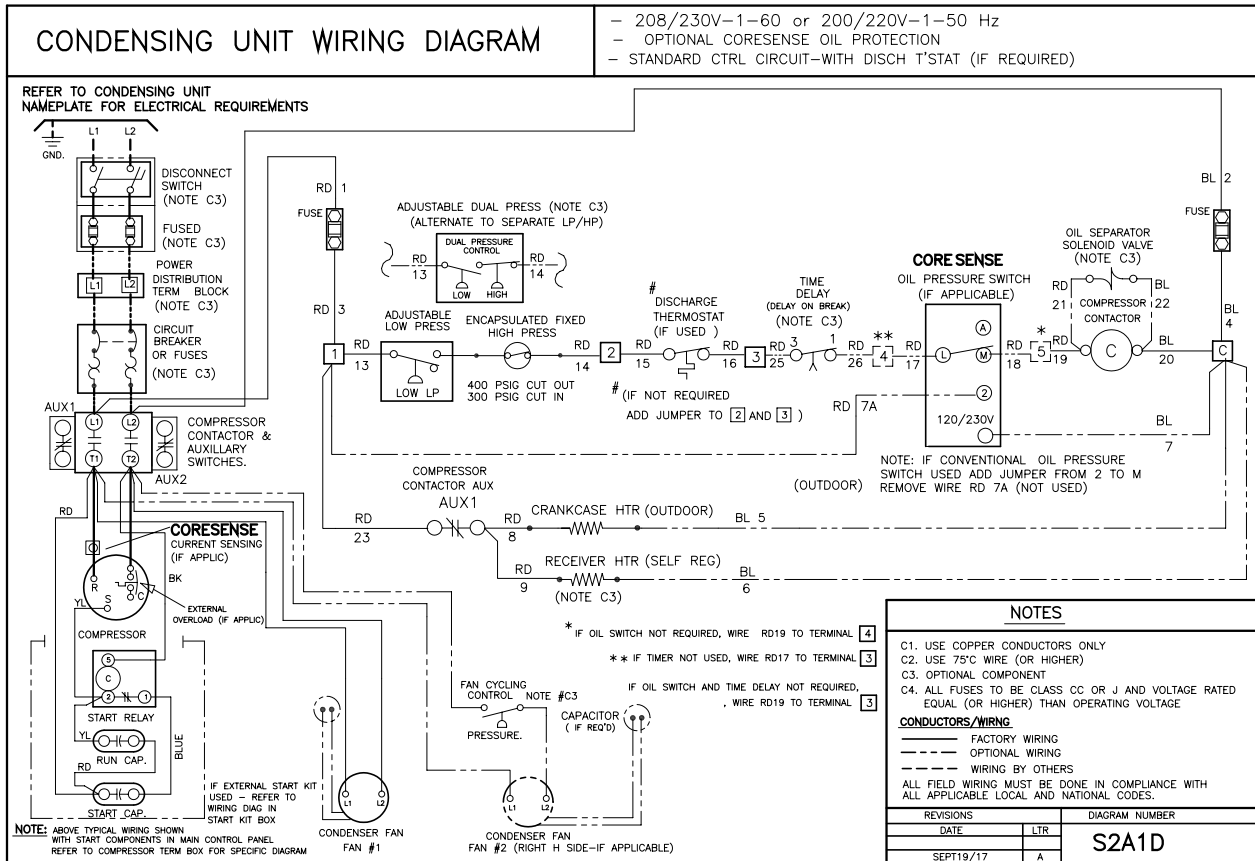
Model TEZA	Unit Connections				R404A Receiver Capacity 90% Full *		Approx. Shipping Weight			
	Suction (OD)		Liquid (OD)		Lbs.	Kgs	Outdoor Models		Indoor Models	
	Inches	mm	Inches	mm			Lbs.	Kgs	Lbs.	Kgs
TEZA007H8	5/8	16	3/8	10	5.4	2.4	183	83	161	73
TEZA008H8	5/8	16	3/8	10	5.4	2.4	188	85	167	76
TEZA009H8	5/8	16	3/8	10	5.4	2.4	188	85	167	76
TEZA010H8	5/8	16	3/8	10	11	4.9	285	129	265	120
TEZA011H8	5/8	16	3/8	10	11	4.9	285	129	265	120
TEZA015H8	7/8	22	3/8	10	11	4.9	285	129	265	120
TEZA020H8	7/8	22	3/8	10	11	4.9	300	136	280	127
TEZA025H8	7/8	22	1/2	13	22	10.0	405	184	370	168
TEZA030H8	7/8	22	1/2	13	22	10.0	410	186	375	170
TEZA035H8	7/8	22	1/2	13	22	10.0	415	188	380	172
TEZA040H8	1 1/8	29	1/2	13	22	10.0	420	191	390	177
TEZA045H8	1 1/8	29	1/2	13	22	10.0	425	193	390	177
TEZA050H8	1 1/8	29	1/2	13	22	10.0	425	193	390	177
TEZA060H8	1 1/8	29	5/8	16	30	13.8	470	213	430	195
TEZA061H8	1 1/8	29	5/8	16	30	13.6	510	231	465	211
TEZA070H8	1 3/8	35	5/8	16	54	24.5	625	283	570	259
TEZA076H8	1 3/8	35	5/8	16	54	24.5	635	288	580	263
TEZA085H8	1 3/8	35	5/8	16	54	24.5	645	293	590	268
TEZA110H8	1 3/8	35	7/8	22	76	34.5	745	338	690	313
TEZA150H8	1 5/8	41	7/8	22	76	34.5	845	383	790	358
TEZA008L8	5/8	16	3/8	10	5.4	2.4	205	93	185	84
TEZA010L8	5/8	16	3/8	10	5.4	2.4	205	93	185	84
TEZA015L8	5/8	16	3/8	10	5.4	2.4	210	95	190	86
TEZA020L8	7/8	22	3/8	10	11	4.9	315	143	290	132
TEZA025L8	7/8	22	3/8	10	14	6.3	335	152	310	141
TEZA030L8	7/8	22	3/8	10	14	6.3	425	193	390	177
TEZA035L8	7/8	22	1/2	13	14	6.3	430	195	400	181
TEZA045L8	1 1/8	29	1/2	13	22	10.0	435	197	400	181
TEZA055L8	1 1/8	29	1/2	13	22	10.0	440	200	400	181
TEZA060L8	1 1/8	29	1/2	13	22	10.0	485	220	450	204
TEZA075L8	1 3/8	35	5/8	16	30	13.8	495	225	460	209
TEZA085L8	1 3/8	35	5/8	16	30	13.6	525	238	480	218
TEZA100L8	1 3/8	35	5/8	16	30	13.6	545	247	500	227
TEZA130L8	1 3/8	35	5/8	16	54	24.5	725	329	670	304
TEZA150L8	1 5/8	35	5/8	16	54	24.5	745	338	690	313
TEZA170L8	1 5/8	41	7/8	22	76	34.5	955	433	900	408

*** NOTE ON ALTERNATE REFRIGERANTS:**

* PUBLISHED RECEIVER CAPACITY IS BASED ON **R404A** ON MODELS USING "8" AS REFRIGERANT CODE.
FOR ALTERNATE REFRIGERANTS, MULTIPLY **R404A** VALUE BY THE APPROPRIATE VALUE BELOW:

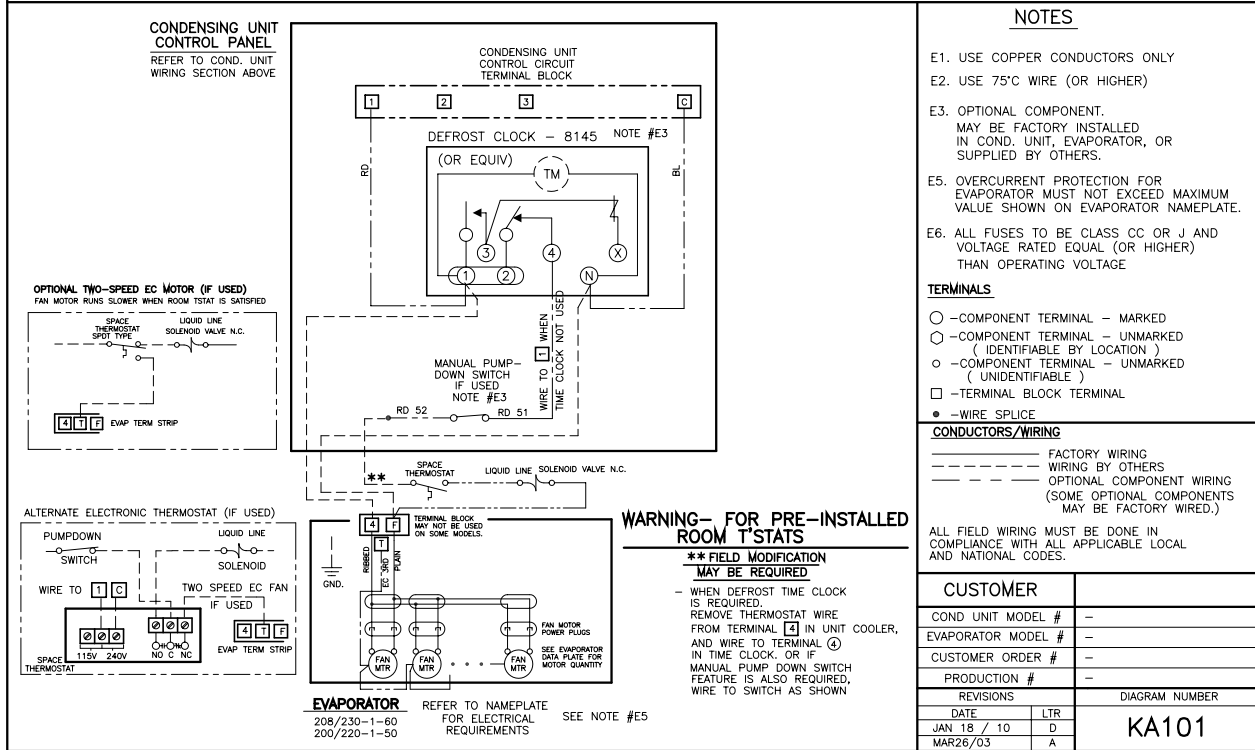
R407A	R407C	R448A	R449A	R507	R22
1.10	1.10	1.05	1.05	1.00	1.15

208-230/1/60 Unit with 230V Air Defrost Evaporator

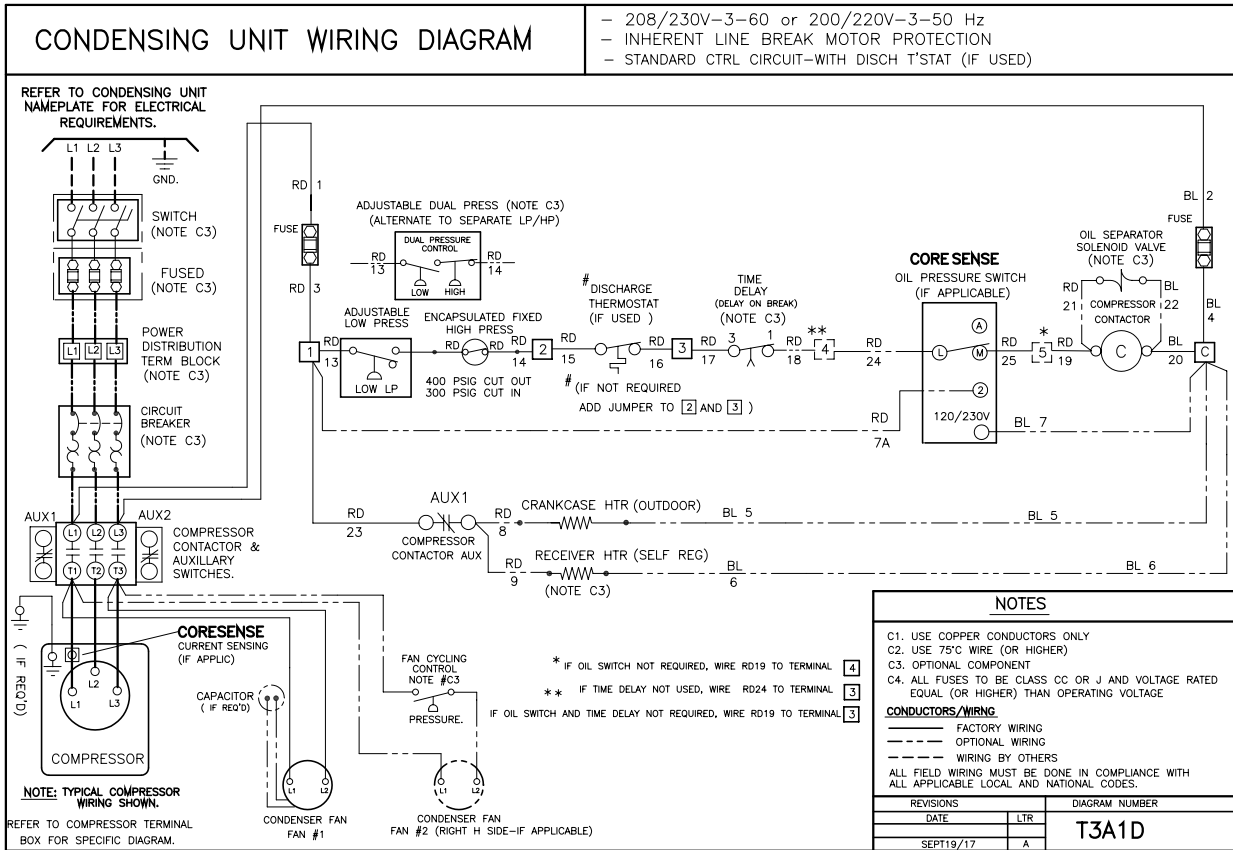


TYPICAL EVAPORATOR WIRING: FOR SINGLE AIR DEFROST EVAPORATOR- SINGLE POINT

FOR USE WITH: 208/230-1-60, 200/220-1-50 OR 208/230-3-60, 200/220-3-50 CONDENSING UNITS WITH OR WITHOUT DEFROST TIME CLOCK AND FOR TOTAL EVAP FAN AMPS NOT EXCEEDING 12A

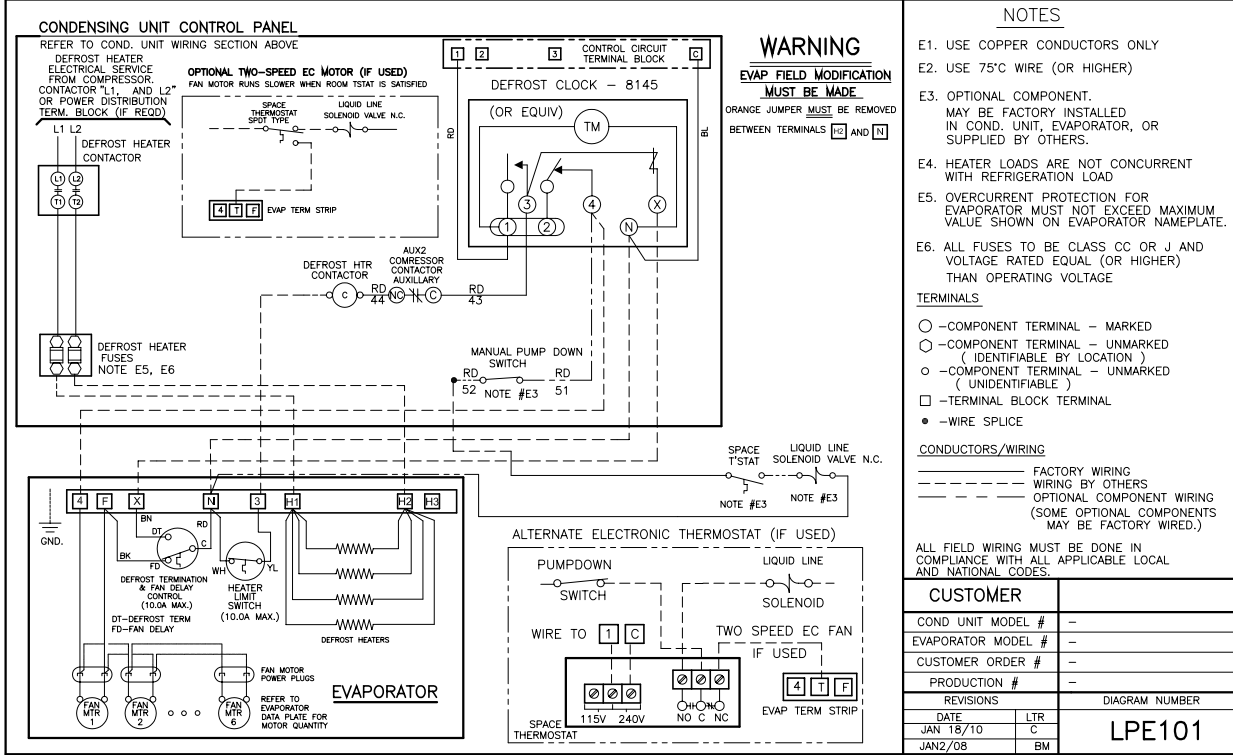


208-230/3/60 Unit with 230V Electric Defrost Evaporator

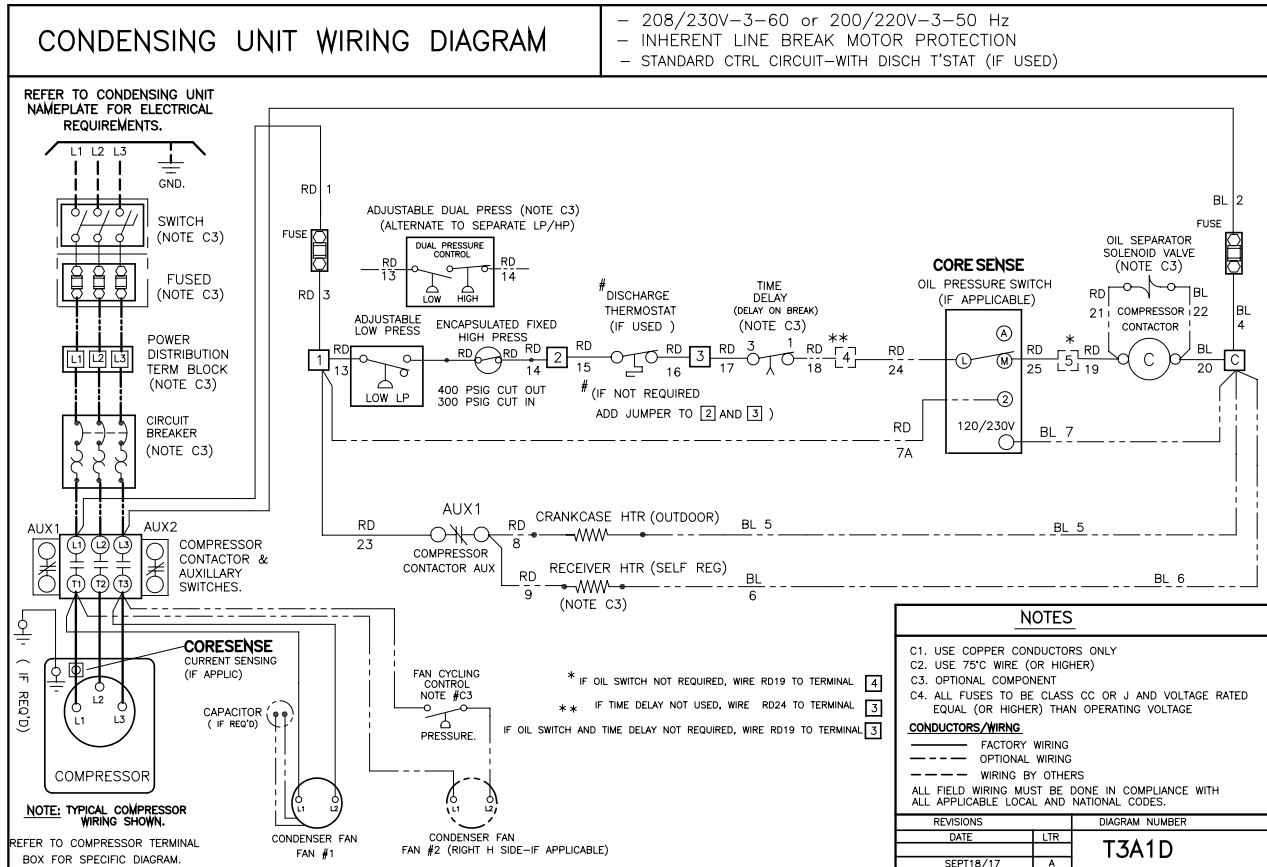


TYPICAL EVAPORATOR WIRING: FOR SINGLE LOW PROFILE ELECT 1 PHASE DEFROST EVAPORATOR-SINGLE POINT

FOR USE WITH: 230V SINGLE OR THREE PHASE CONDENSING UNITS WITH DEFROST TIME CLOCK, AND DEFROST HEATER CONTACTOR

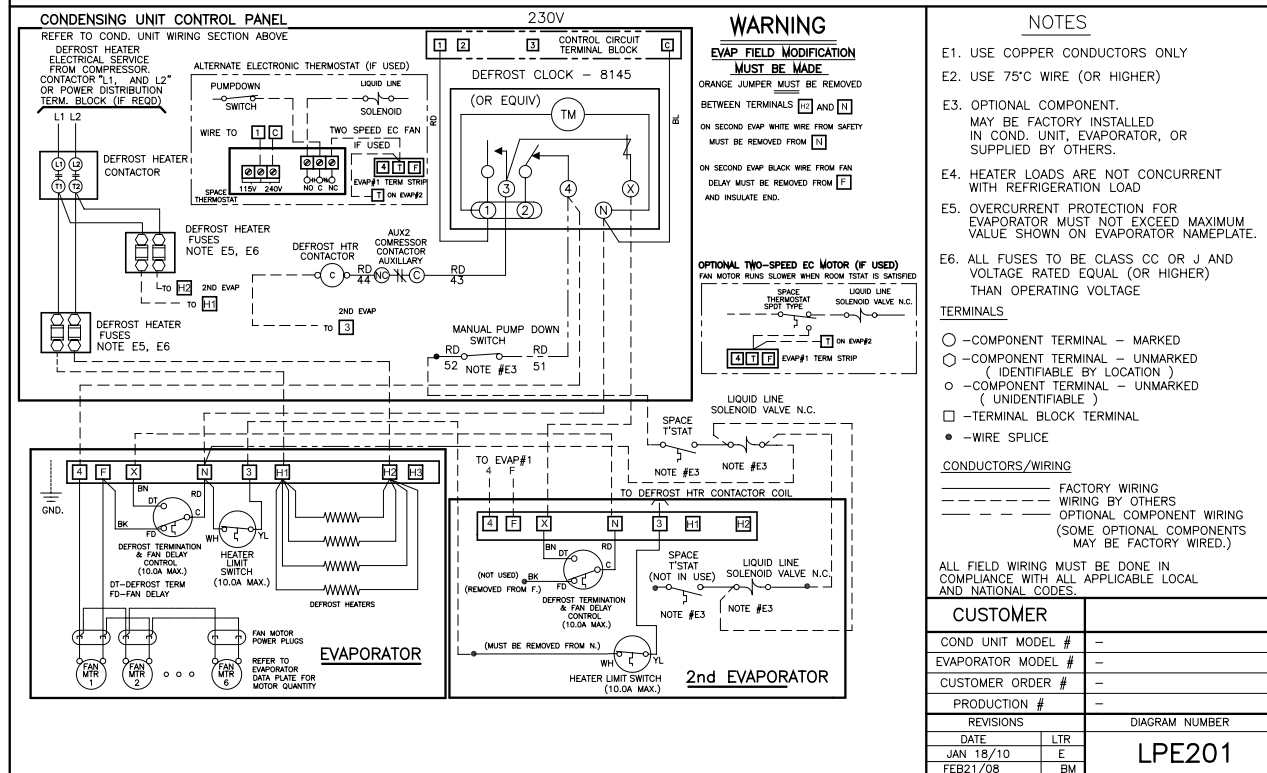


208-230/3/60 Unit with Two (2) 230V Electric Defrost Evaporators

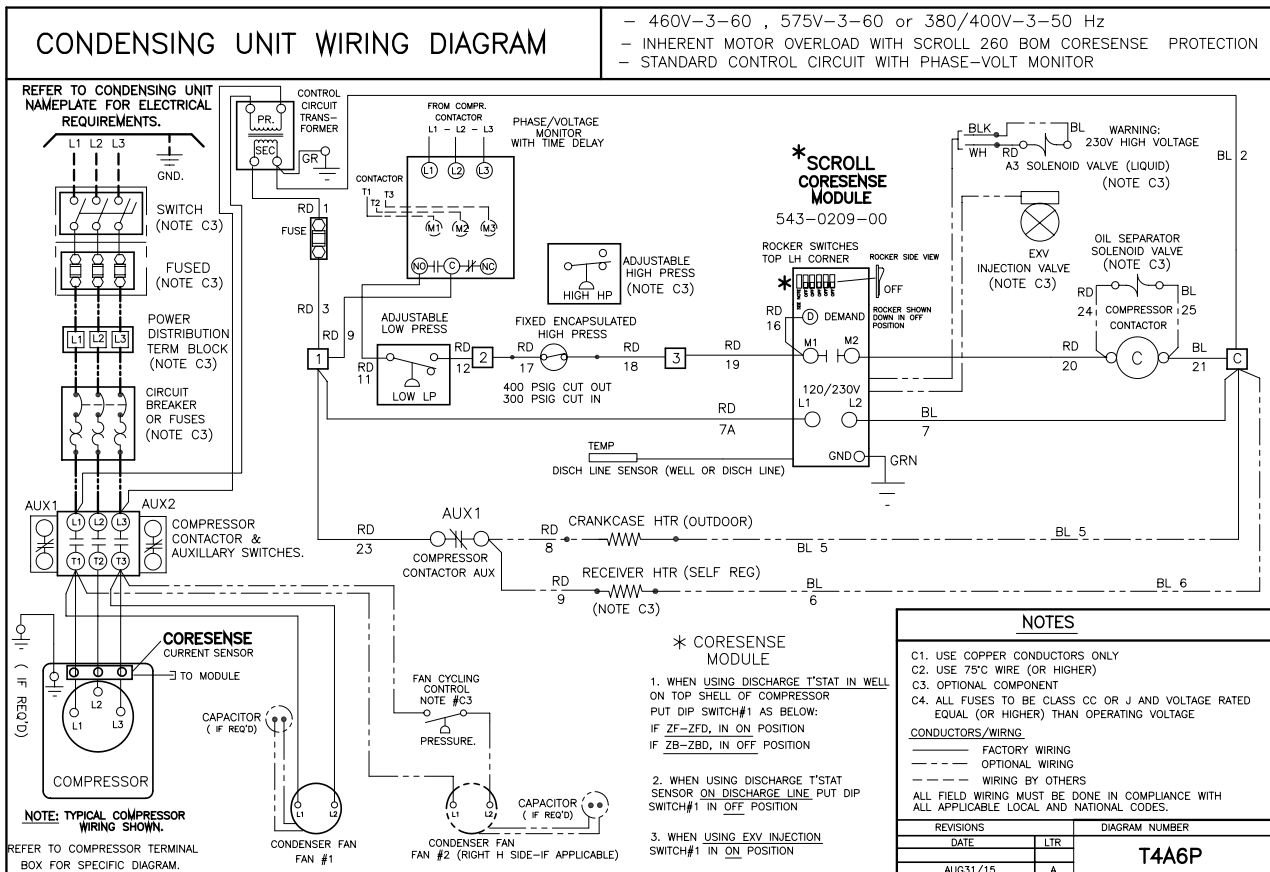


TYPICAL EVAPORATOR WIRING: FOR TWO SINGLE LOW PROFILE ELECT DEF 230V 1 PH. EVAPORATORS-SINGLE POINT MAX TOTAL EVAP FAN AMPS-10A

FOR USE WITH: 230V SINGLE OR THREE PHASE CONDENSING UNITS WITH DEFROST TIME CLOCK, AND DEFROST HEATER CONTACTOR

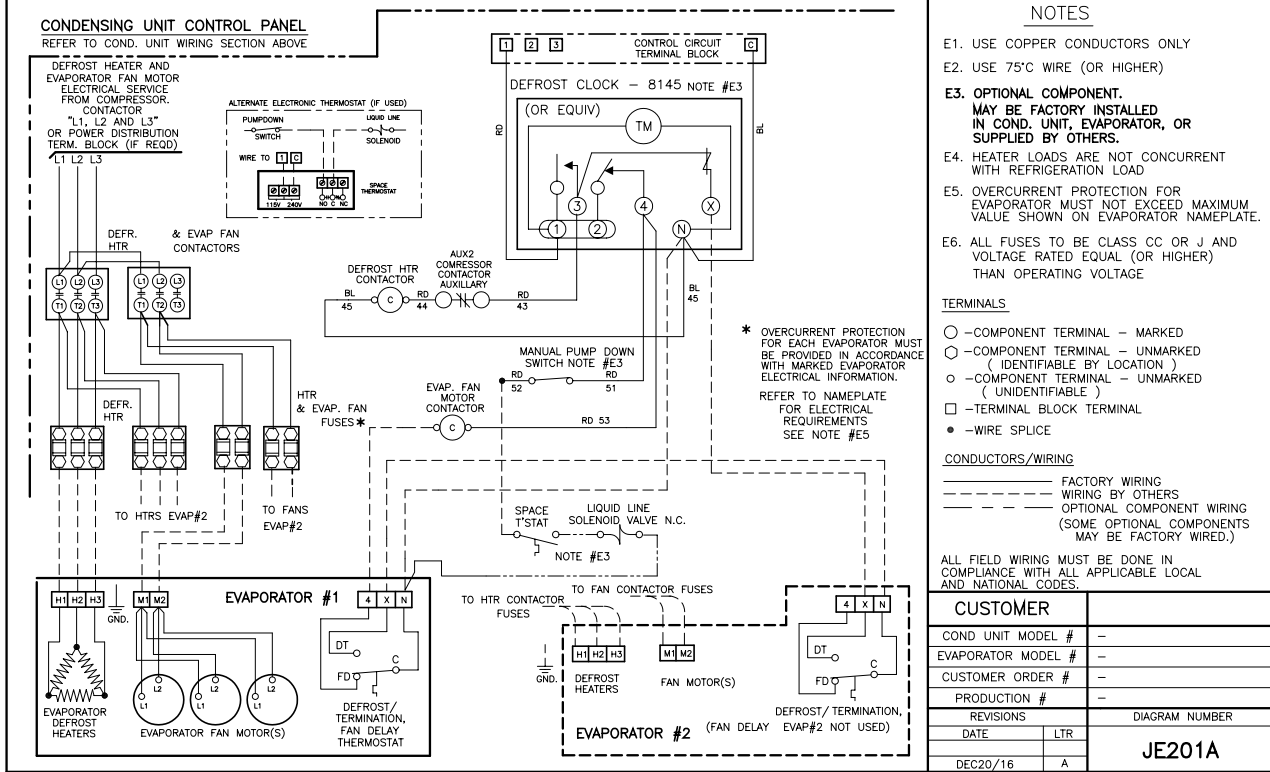


460/360 or 575/3/60 Unit with Two (2) 460V or 575V Electric Defrost Evaporators

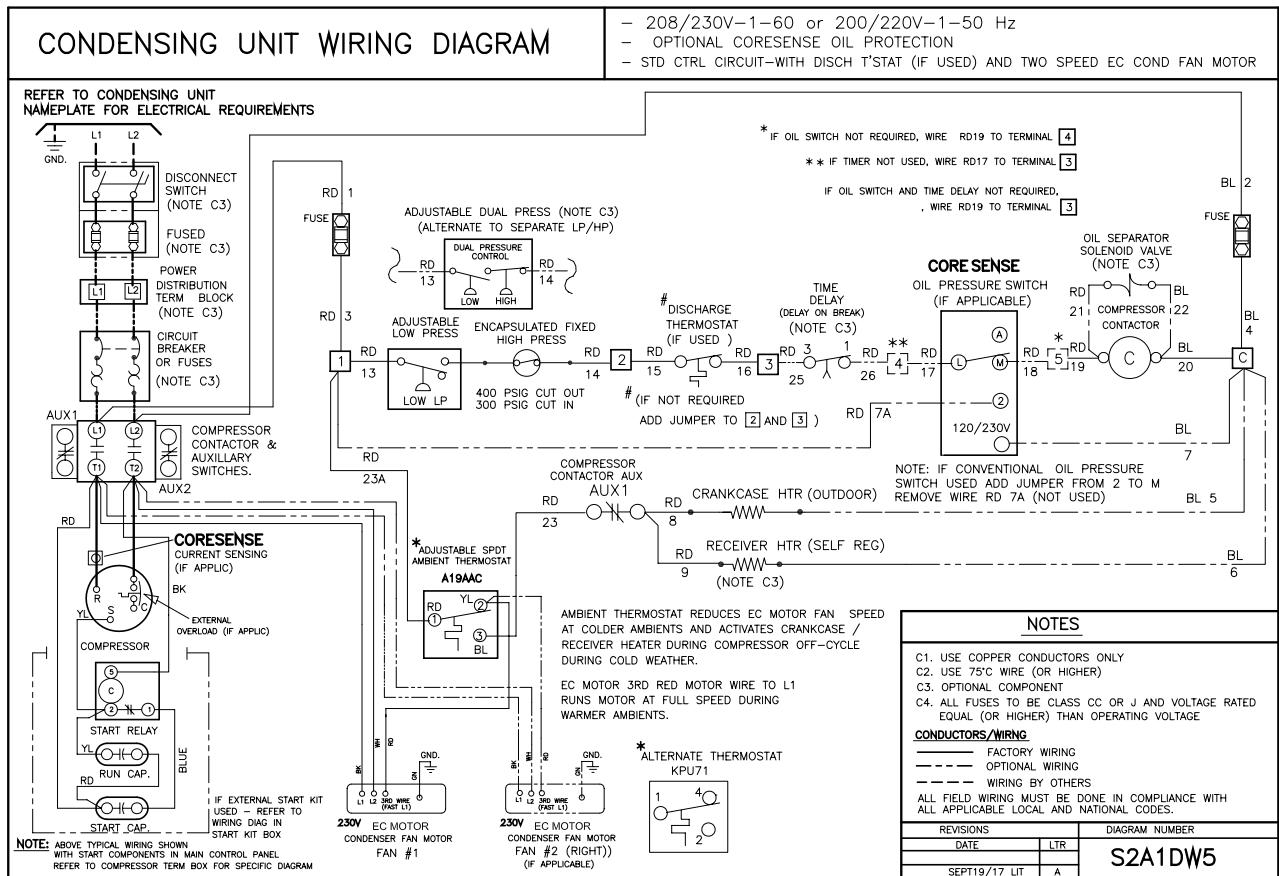


TYPICAL EVAPORATOR WIRING: FOR TWO MED PROFILE ELECT DEFROST EVAPORATORS- SINGLE POINT

FOR USE WITH: THREE PHASE CONDENSING UNITS WITH DEFROST TIME CLOCK, & EVAP FAN AND DEFR. HTR. CONTACTORS.

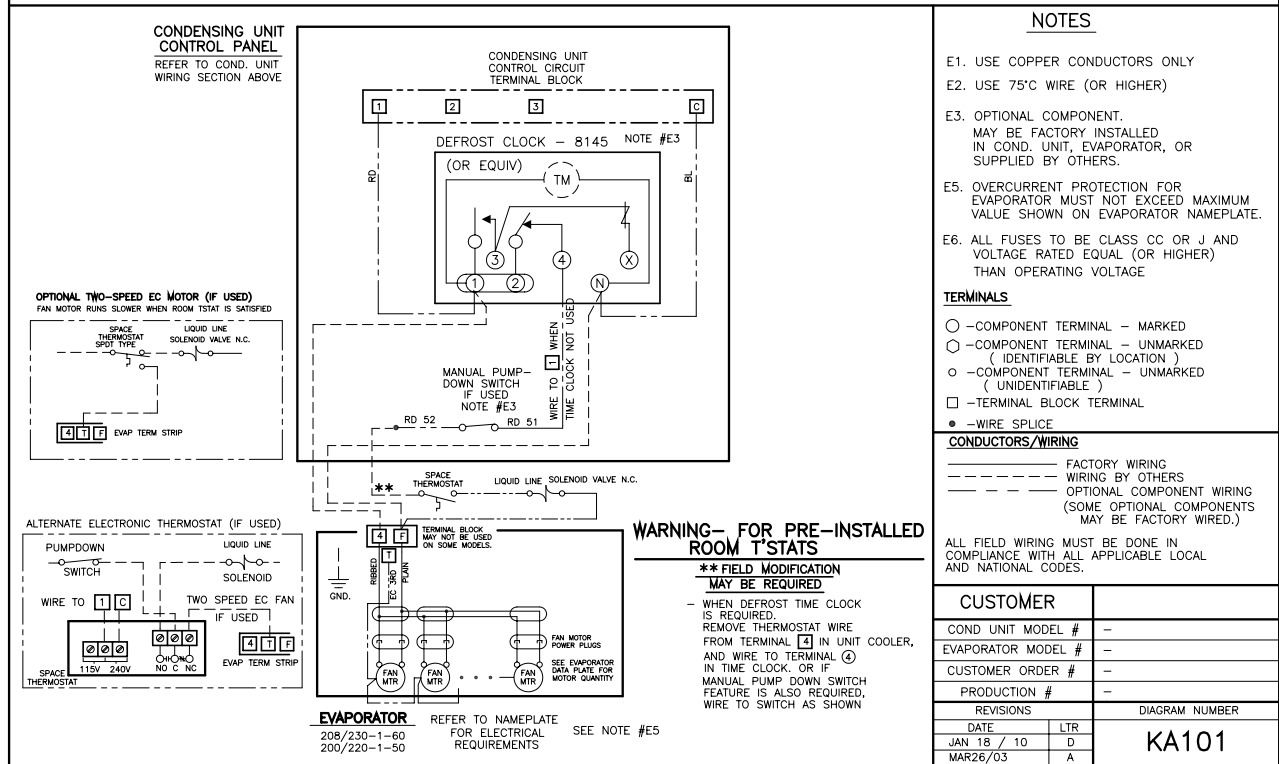


208-230/1/60 Unit with SMARTSPEED™ with 230V Air Defrost Evaporator

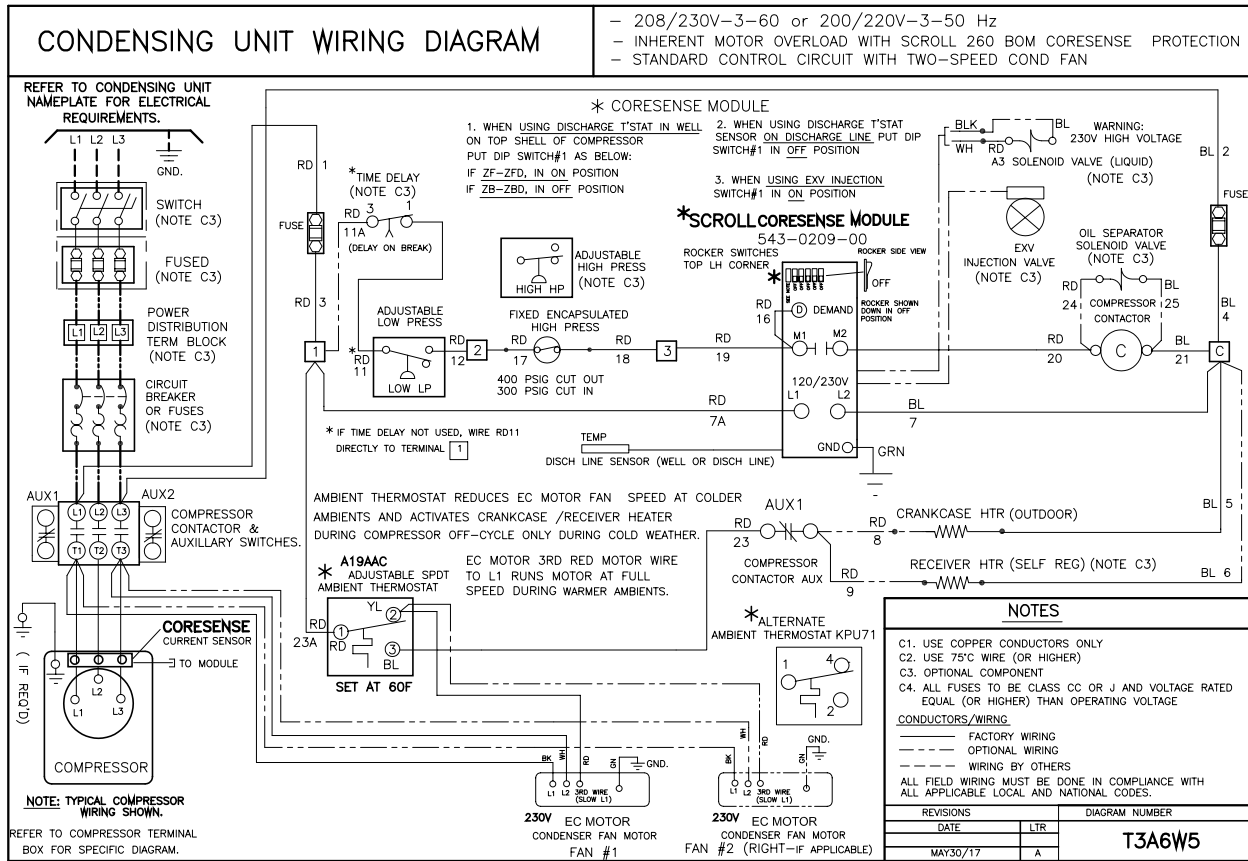


TYPICAL EVAPORATOR WIRING: FOR SINGLE AIR DEFROST EVAPORATOR— SINGLE POINT

FOR USE WITH: 208/230-1-60, 200/220-1-50 OR 208/230-3-60, 200/220-3-50 CONDENSING UNITS
 WITH OR WITHOUT DEFROST TIME CLOCK AND FOR TOTAL EVAP FAN AMPS NOT EXCEEDING 12A

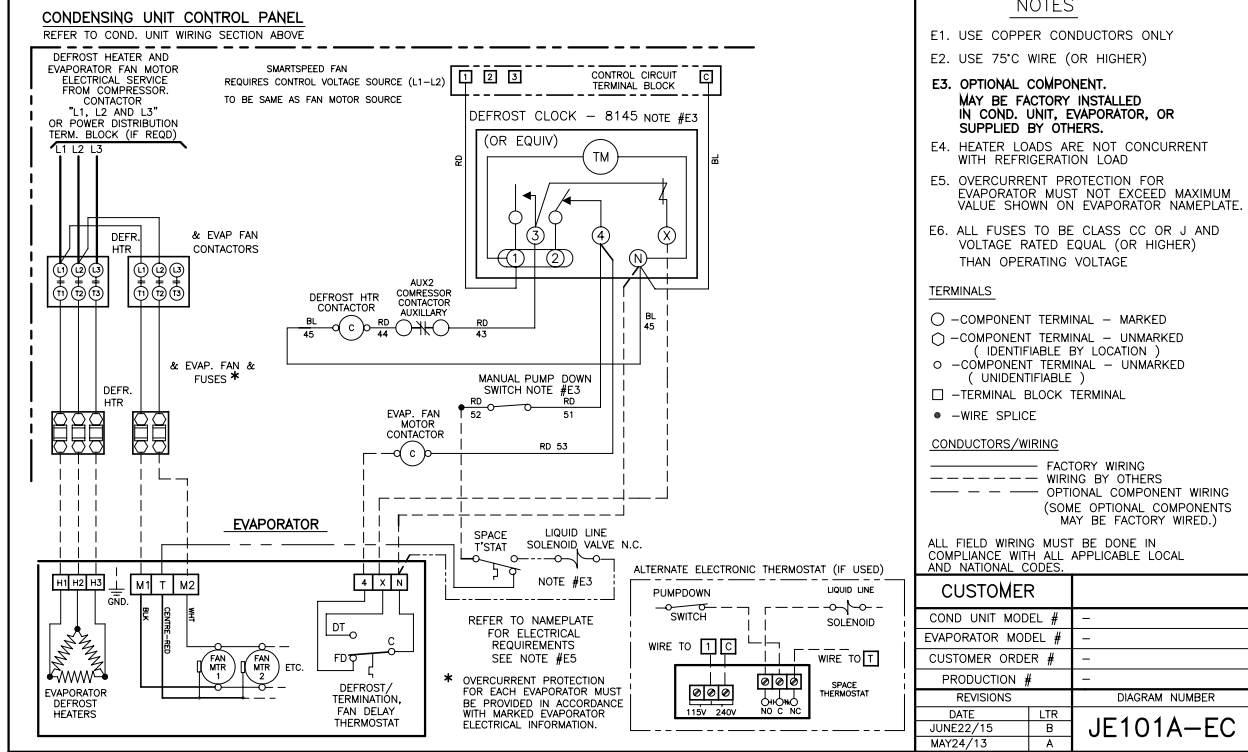


208-230/3/60 Unit with SMARTSPEED™ with 230V Air Defrost Evaporator



TYPICAL EVAPORATOR WIRING: FOR (1) ONE, THREE PHASE MED PROFILE ELECT DEFRST EVAPORATOR - SINGLE POINT WITH SMARTSPEED

FOR USE WITH: THREE PHASE CONDENSING UNITS WITH DEFRST TIME CLOCK, & EVAP FAN AND DEFR. HTR. CONTACTORS.




PROJECT INFORMATION**TEZ - SCROLL CONDENSING UNITS**

System	
Model Number	Date of Start-Up
Serial Number	Service Contractor
Refrigerant	Phone
Electrical Supply	E-mail


PRODUCT SUPPORT

web: www.t-rp.com/tez
email: smcu@t-rp.com
call: 1-844-893-3222 x521


TROUBLESHOOTING


email: troubleshooting@t-rp.com
call: 1-844-893-3222 x529


SERVICE PARTS

web: www.t-rp.com/parts
email: parts@t-rp.com
call: 1-844-893-3222 x521


WARRANTY

web: www.t-rp.com/warranty
email: warranty@t-rp.com
call: 1-844-893-3222 x507


ORDERS

email: orders@t-rp.com
call: 1-844-893-3222 x501


SHIPPING

email: shipping@t-rp.com
call: 1-844-893-3222 x503



Trenton Refrigeration
Brantford, ON • Longview, TX
1-800-463-9517 info@t-rp.com www.t-rp.com

