



High Profile Evaporator

60
Hz

PRODUCT DATA & INSTALLATION

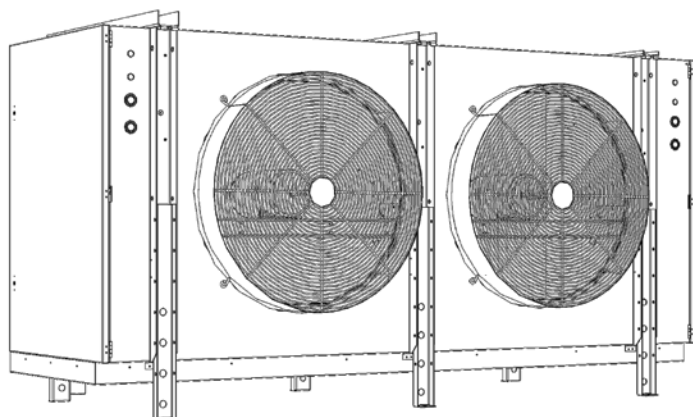
Bulletin T30-THPE-PDI-5
Part # 1081589

Low & Medium Temperature

Electric Defrost

Electrical Power:
208-230/3/60, 460/3/60, 575/3/60

	PRODUCT SUPPORT	scan:
	web: www.t-rp.com/thp	
	email: evaps@t-rp.com	
	call: 1-844-893-3222 x520	



SMARTVAP

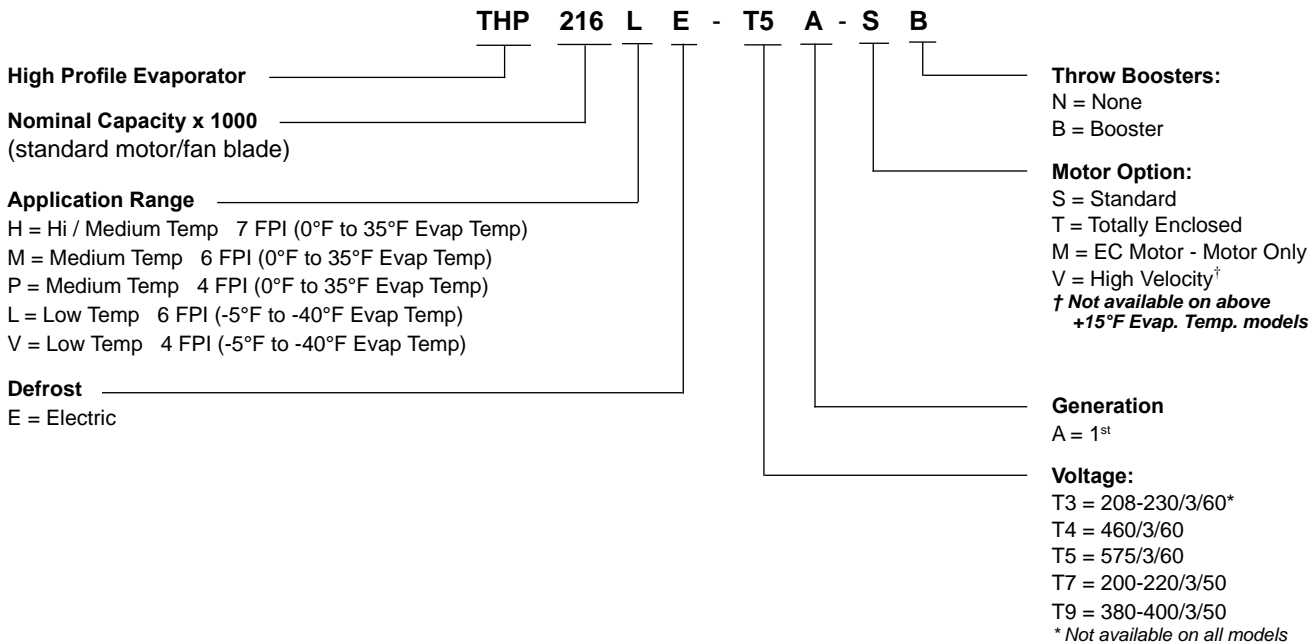
see page 11 for details

CONTENTS

Page

Nomenclature.....	2
Features & Options.....	2
Standard Units.....	3 - 7
Capacity Data.....	3 - 4
Electrical Data.....	5 - 7
Wiring Diagrams.....	8 - 10
Wiring Diagrams - Models with ESP+	11 - 15
Dimensional Data.....	16 - 17
Specifications.....	18
Defrost Kit and Fuse Package Selections / Details	19 - 26
Installation Instructions.....	27
High Velocity Units.....	28 - 36
Capacity Data.....	28 - 33
Electrical Data.....	34 - 36
Project Information.....	38
Product Support Resources: Service Parts, Troubleshooting, Warranty, etc.....	39
“As Built” Service Parts List.....	BACK

NOMENCLATURE



STANDARD FEATURES

- Compatible with Low GWP Refrigerants
- Heavy gauge textured aluminum cabinet with galvanized steel hangers, support channels and end plates
- Hinged access panels with removable hinge pins and captive fasteners.
- Hinged drain pan with removable hinge pins
- Rugged heavy-gauge galvanized steel rail motor mount / support
- Stackable design
- Adjustable defrost termination thermostat
- Heater safety thermostat
- Fixed fan delay thermostat (all low temperature models)
- Adjustable fan delay thermostat (all medium temperature models)
- Improved heater clamping eliminates potential heater creepage
- Schrader fitting and external equalizer line
- Factory installed solenoid valve wire harness
- Unit shipped upright for convenient handling and quick installation.

AVAILABLE OPTIONS

- Factory mounted TX valve, solenoid valve and thermostat
- Throw boosters
- Insulated drain pan
- 3 HP 1750 RPM motor with cast aluminum fan blade ideal for blast applications
- EC motors available in two speed or variable speed (Title 24) operation, or controls by others
- **ESP+ Intuitive Evaporator Control Technology. See page 11**
- Totally Enclosed motors
- Optional fin spacing
- Optional fin materials
- Optional coil coating

**CAPACITY DATA
STANDARD 6 F.P.I. MODELS**

Medium Temperature Models - Capacity @ 6 F.P.I. *

Medium Temp. Models THP		068ME	081ME	092ME	108ME	123ME	135ME	162ME	181ME	221ME	243ME	271ME	
Capacity BTUH (WATTS)	Evap Temp. 25°F (-4°C)	R407A	64510	77240	86930	102600	116850	128250	153900	171950	209950	230850	257450
		R448A	(18895)	(22624)	(25462)	(30052)	(34226)	(37565)	(45078)	(50364)	(61495)	(67616)	(75407)
		R407C	61110	73170	82350	97200	110700	121500	145800	162900	198900	218700	243900
		R404A	(17899)	(21432)	(24120)	(28470)	(32424)	(35588)	(42705)	(47714)	(58258)	(64058)	(71439)
		R507	67900	81300	91500	108000	123000	135000	162000	181000	221000	243000	271000
		(19888)	(23813)	(26800)	(31633)	(36027)	(39542)	(47450)	(53015)	(64731)	(71175)	(79376)	
	R22	64510	77240	86930	102600	116850	128250	153900	171950	209950	230850	257450	
	(18895)	(22624)	(25462)	(30052)	(34226)	(37565)	(45078)	(50364)	(61495)	(67616)	(75407)		
	R134a	61110	73170	82350	97200	110700	121500	145800	162900	198900	218700	243900	
	(17899)	(21432)	(24120)	(28470)	(32424)	(35588)	(42705)	(47714)	(58258)	(64058)	(71439)		
Air Flow	CFM (L/S)	16800 (7929)	15600 (7362)	14700 (6938)	15900 (7504)	23400 (11044)	22000 (10383)	23900 (11280)	26100 (12318)	36300 (17132)	34800 (16424)	32000 (15102)	
Refrigerant ** Charge R407A	LB. (KG)	22 (10)	30 (14)	36 (16)	44 (20)	44 (20)	55 (25)	66 (30)	97 (44)	108 (49)	130 (59)	173 (78)	

Low Temperature Models - Capacity @ 6 F.P.I. *

Low Temp. Models THP		065LE	078LE	089LE	094LE	118LE	134LE	143LE	161LE	175LE	198LE	216LE	228LE	
Capacity BTUH (WATTS)	Evap Temp. -20°F (-29°C)	R407A	61090	74290	84550	89400	112100	127300	135850	152950	166250	188100	205200	216600
		R448A	(17893)	(21760)	(24765)	(26185)	(32834)	(37286)	(39791)	(44799)	(48695)	(55095)	(60103)	(63442)
		R407C	57870	70380	80100	84690	106200	120600	128700	144900	157500	178200	194400	205200
		R404A	(16950)	(20614)	(23461)	(24806)	(31106)	(35324)	(37696)	(42441)	(46132)	(52195)	(56940)	(60103)
		R507	64300	78200	89000	94100	118000	134000	143000	161000	175000	198000	216000	228000
		(17893)	(22905)	(26068)	(27562)	(34562)	(39249)	(41885)	(47157)	(51258)	(57994)	(63267)	(66782)	
	R22	61090	74290	84550	89400	112100	127300	135850	152950	166250	188100	205200	216600	
	(17893)	(21760)	(24765)	(26185)	(32834)	(37286)	(39791)	(44799)	(48695)	(55095)	(60103)	(63442)		
	R134a	57870	70380	80100	84690	106200	120600	128700	144900	157500	178200	194400	205200	
	(16950)	(20614)	(23461)	(24806)	(31106)	(35324)	(37696)	(42441)	(46132)	(52195)	(56940)	(60103)		
Air Flow	CFM (L/S)	18900 (8920)	17800 (8401)	16900 (7976)	15930 (7518)	26730 (12615)	25310 (11945)	23890 (11275)	26080 (12308)	38100 (17981)	36290 (17127)	34770 (16410)	32000 (151021)	
Refrigerant ** Charge R407A	LB. (KG)	23 (10)	32 (15)	40 (18)	47 (21)	47 (21)	59 (27)	70 (32)	105 (48)	92 (42)	116 (53)	130 (59)	173 (78)	

Capacities rated using 10°F (5.6°C) TD & 100°F (38°C) liquid temperature.

Capacities at other TD within a range of 8 to 15 °F (4.4 to 8.3°C) are directly proportional to TD, or use formula: Capacity = Rated capacity ÷ 10 x TD.

For capacities at TD outside of range 8 to 15 °F (4.4 to 8.3°C), or liquid temperature lower than 75°F (24°), consult factory.

Capacities for R448A, R407A and R407C are based on mean temperature. Mean temperature is the average temperature between the saturated suction temperature and the temperature feeding the evaporator. For dew point ratings, consult factory.

Derate capacity by 0.92 and CFM by .85 for Throw Booster Option.

For R449A, use R448A data.

*** CAPACITY CORRECTION FACTORS FOR LOW TEMPERATURE UNITS**

SATURATED SUCTION TEMPERATURE °F (°C)	0 (-17.8)	-10 (23.3)	-20 (-28.9)	-30 (-34.4)	-40 (-40)
FACTOR	1.06	1.03	1.0	0.92	0.85

**** REFRIGERANT CHARGE CONVERSION FACTORS**

R448A	R407C	R404A	R507	R22	R134a
0.96	0.99	0.92	0.93	1.02	1.03

NO CORRECTION FACTOR REQUIRED FOR MEDIUM TEMP. UNITS

Average Air Throw - ft (m)†

STANDARD FAN AND MOTOR	OPTIONAL THROW BOOSTER
110 (33)	150 (46)

† Measured in open space. Actual throw may be less in real applications.

CAPACITY DATA STANDARD 4 F.P.I. MODELS (cont'd)

Medium Temperature Models - Capacity @ 4 F.P.I. *

Med. Temp. 4 FPI Models THP		059PE	072PE	083PE	091PE	109PE	122PE	137PE	150PE	164PE	200PE	222PE	256PE	
Capacity BTUH (WATTS)	Evap Temp. 25°F (-4°C)	R407A	56050	68400	78470	86450	103550	115900	130150	142500	155800	190000	210900	243200
		R448A	(16417)	(20034)	(22984)	(25321)	(30330)	(33947)	(38121)	(41738)	(45634)	(55651)	(61773)	(71234)
		R407C	53100	64800	74340	81900	98100	109800	123300	135000	147600	180000	199800	230400
		R404A	(15553)	(18980)	(21774)	(23989)	(28734)	(32161)	(36115)	(39542)	(43232)	(52722)	(58522)	(67484)
		R507	59000	72000	82600	91000	109000	122000	137000	150000	164000	200000	222000	256000
		(17281)	(21089)	(24194)	(26654)	(31926)	(35734)	(40127)	(43935)	(48036)	(58580)	(65024)	(74983)	
	R22	56050	68400	78470	86450	103550	115900	130150	142500	155800	190000	210900	243200	
		(16417)	(20034)	(22984)	(25321)	(30330)	(33947)	(38121)	(41738)	(45634)	(55651)	(61773)	(71234)	
	R134a	53100	64800	74340	81900	98100	109800	123300	135000	147600	180000	199800	230400	
		(15553)	(18980)	(21774)	(23989)	(28734)	(32161)	(36115)	(39542)	(43232)	(52722)	(58522)	(67484)	
Air Flow	CFM (L/S)	17500 (8259)	16500 (7787)	15600 (7362)	14800 (6985)	24800 (11704)	23400 (11044)	22300 (10524)	28600 (13498)	27500 (12979)	38100 (17981)	36600 (17273)	34400 (16235)	
Refrigerant Charge	LB. (KG)	22 (10)	30 (14)	36 (16)	44 (20)	44 (20)	55 (25)	62 (28)	81 (37)	97 (44)	108 (49)	130 (59)	173 (78)	

Low Temperature Models - Capacity @ 4 F.P.I. *

Low Temp. 4 FPI Models THP		055VE	066VE	076VE	087VE	100VE	114VE	127VE	145VE	172VE	187VE	217VE	
Capacity BTUH (WATTS)	Evap Temp. -20°F (-29°C)	R407A	52250	62700	72200	82650	95000	108300	120650	137750	163400	177650	206150
		R448A	(15304)	(18365)	(21147)	(24208)	(27826)	(31721)	(35339)	(40347)	(47860)	(52034)	(60382)
		R407C	49500	59400	68400	78300	90000	102600	114300	130500	154800	168300	195300
			14499	17398	20034	22934	26361	30052	33479	38224	45341	49295	57204
		R404A	55000	66000	76000	87000	100000	114000	127000	145000	172000	187000	217000
		(16110)	(19331)	(22261)	(25482)	(29290)	(33391)	(37198)	(42471)	(50379)	(54773)	(63560)	
	R22	52250	62700	72200	82650	95000	108300	120650	137750	163400	177650	206150	
		(15304)	(18365)	(21147)	(24208)	(27826)	(31721)	(35339)	(40347)	(47860)	(52034)	(60382)	
	R134a	49500	59400	68400	78300	90000	102600	114300	130500	154800	168300	195300	
		14499	17398	20034	22934	26361	30052	33479	38224	45341	49295	57204	
Air Flow	CFM (L/S)	19500 (9203)	18600 (8778)	17800 (8401)	17000 (8023)	27900 (13167)	26700 (12601)	25500 (12035)	27400 (12931)	25000 (11981)	38100 (17981)	36600 (17273)	34400 (16235)
Refrigerant Charge	LB. (KG)	23 (10)	32 (15)	40 (18)	47 (21)	47 (21)	59 (27)	70 (32)	105 (48)	116 (53)	139 (63)	173 (78)	

Capacities rated using 10°F (5.6°C) TD & 100°F (38°C) liquid temperature.

Capacities at other TD within a range of 8 to 15 °F (4.4 to 8.3°C) are directly proportional to TD, or use formula: Capacity = Rated capacity ÷ 10 x TD.

For capacities at TD outside of range 8 to 15 °F (4.4 to 8.3°C), or liquid temperature lower than 75°F (24°), consult factory.

Capacities for R448A, R407A and R407C are based on mean temperature. Mean temperature is the average temperature between the saturated suction temperature and the temperature feeding the evaporator. For dew point ratings, consult factory.

Derate capacity by 0.92 and CFM by .85 for Throw Booster Option.

For R449A, use R448A data.

* CAPACITY CORRECTION FACTORS FOR LOW TEMPERATURE UNITS

SATURATED SUCTION TEMPERATURE °F (°C)	0 (-17.8)	-10 (23.3)	-20 (-28.9)	-30 (-34.4)	-40 (-40)
FACTOR	1.06	1.03	1.0	0.92	0.85

** REFRIGERANT CHARGE CONVERSION FACTORS

R448A	R407C	R404A	R507	R22	R134a
0.96	0.99	0.92	0.93	1.02	1.03

NO CORRECTION FACTOR REQUIRED FOR MEDIUM TEMP. UNITS

Average Air Throw - ft (m)†

STANDARD FAN AND MOTOR	OPTIONAL THROW BOOSTER
110 (33)	150 (46)

† Measured in open space. Actual throw may be less in real applications.

**ELECTRICAL DATA
STANDARD MODELS - 208-230/3/60**

MODEL	FPI	FAN MOTORS									DEFROST HEATERS										
		QTY	HP	STANDARD			ECM *			WATTS	CIRCUIT #1			CIRCUIT #2			CIRCUIT #3				
				MOTOR FLA TOTAL	WATTS	MCA (A)	MAX. FUSE (AMPS)	MOTOR FLA TOTAL	WATTS		MCA (A)	MAX. FUSE (AMPS)	AMPS	MCA (A)	MAX. FUSE (AMPS)	AMPS	MCA (A)	MAX. FUSE (AMPS)	AMPS	MCA (A)	MAX. FUSE (AMPS)
068ME-T3A		2	1	9.6	2200	10.8	15	12.4	1740	14	20	17150	46.1	57.7	60	-	-	-	-	-	-
081ME-T3A		2	1	9.6	2200	10.8	15	12.4	1740	14	20	19600	27.7	34.6	35	27.7	34.6	35	-	-	-
092ME-T3A		2	1	9.6	2200	10.8	15	12.4	1740	14	20	24500	32.4	40.5	45	32.4	40.5	45	-	-	-
108ME-T3A		2	1.5	11.2	2880	15.1	20	12.4	2560	14	20	24500	32.4	40.5	45	32.4	40.5	45	-	-	-
123ME-T3A		3	1	14.4	3300	15.6	20	18.6	2610	20.2	25	28000	39.5	49.4	50	39.5	49.4	50	-	-	-
135ME-T3A		3	1	14.4	3300	15.6	20	18.6	2610	20.2	25	35000	46.3	57.9	60	46.3	57.9	60	-	-	-
162ME-T3A		3	1.5	16.8	4320	20.1	25	18.6	3840	20.2	25	35000	46.3	57.9	60	46.3	57.9	60	-	-	-
181ME-T3A		3+	1.5	16.8	4320	20.1	25	18.6	3840	20.2	25	36000	47.6	59.5	60	47.6	59.5	60	-	-	-
221ME-T3A		4	1.5	22.4	5760	30.1	35	24.8	5120	30.1	35	47000	44.5	55.6	60	44.5	55.6	60	35.4	44.3	45
243ME-T3A		4	1.5	22.4	5760	30.1	35	24.8	5120	30.1	35	47000	44.5	55.6	60	44.5	55.6	60	35.4	44.3	45
271ME-T3A		4	1.5	NA	NA	NA	NA	NA	NA	NA	NA	NA	NA	NA	NA	NA	NA	NA	NA	NA	NA
065LE-T3A	6	2	1.5	11.2	2880	15.1	20	12.4	2560	14	20	17150	46.1	57.7	60	-	-	-	-	-	-
078LE-T3A		2	1.5	11.2	2880	15.1	20	12.4	2560	14	20	19600	27.7	34.6	35	27.7	34.6	35	-	-	-
089LE-T3A		2	1.5	11.2	2880	15.1	20	12.4	2560	14	20	24500	32.4	40.5	45	32.4	40.5	45	-	-	-
094LE-T3A		2	1.5	11.2	2880	15.1	20	12.4	2560	14	20	24500	32.4	40.5	45	32.4	40.5	45	-	-	-
118LE-T3A		3	1.5	16.8	4320	20.1	25	18.6	3840	20.2	25	28000	39.5	49.4	50	39.5	49.4	50	-	-	-
134LE-T3A		3	1.5	16.8	4320	20.1	25	18.6	3840	20.2	25	35000	46.3	57.9	60	46.3	57.9	60	-	-	-
143LE-T3A		3	1.5	16.8	4320	20.1	25	18.6	3840	20.2	25	35000	46.3	57.9	60	46.3	57.9	60	-	-	-
161LE-T3A		3+	1.5	16.8	4320	20.1	25	18.6	3840	20.2	25	36000	47.6	59.5	60	47.6	59.5	60	-	-	-
175LE-T3A		4	1.5	22.4	5760	30.1	35	24.8	5120	30.1	35	37600	35.4	44.3	45	35.4	44.3	45	35.4	44.3	45
198LE-T3A		4	1.5	22.4	5760	30.1	35	24.8	5120	30.1	35	47000	44.5	55.6	60	44.5	55.6	60	35.4	44.3	45
216LE-T3A		4	1.5	22.4	5760	30.1	35	24.8	5120	30.1	35	47000	44.5	55.6	60	44.5	55.6	60	35.4	44.3	45
228LE-T3A		4	1.5	NA	NA	NA	NA	NA	NA	NA	NA	NA	NA	NA	NA	NA	NA	NA	NA	NA	NA
059PE-T3A		2	1	9.6	2200	10.8	15	12.4	1740	14	20	17150	46.1	57.7	60	-	-	-	-	-	-
072PE-T3A		2	1	9.6	2200	10.8	15	12.4	1740	14	20	19600	27.7	34.6	35	27.7	34.6	35	-	-	-
083PE-T3A		2	1	9.6	2200	10.8	15	12.4	1740	14	20	24500	32.4	40.5	45	32.4	40.5	45	-	-	-
091PE-T3A		2	1	9.6	2200	10.8	15	12.4	1740	14	20	24500	32.4	40.5	45	32.4	40.5	45	-	-	-
109PE-T3A		3	1	14.4	3300	15.6	20	18.6	2610	20.2	25	28000	39.5	49.4	50	39.5	49.4	50	-	-	-
122PE-T3A		3	1	14.4	3300	15.6	20	18.6	2610	20.2	25	35000	46.3	57.9	60	46.3	57.9	60	-	-	-
137PE-T3A		3	1	14.4	3300	15.6	20	18.6	2610	20.2	25	35000	46.3	57.9	60	46.3	57.9	60	-	-	-
150PE-T3A		3+	1.5	16.8	4320	20.1	25	18.6	3840	20.2	25	36000	47.6	59.5	60	47.6	59.5	60	-	-	-
164PE-T3A		3+	1.5	16.8	4320	20.1	25	18.6	3840	20.2	25	36000	47.6	59.5	60	47.6	59.5	60	-	-	-
200PE-T3A		4	1.5	22.4	5760	30.1	35	24.8	5120	30.1	35	47000	44.5	55.6	60	44.5	55.6	60	35.4	44.3	45
222PE-T3A		4	1.5	22.4	5760	30.1	35	24.8	5120	30.1	35	47000	44.5	55.6	60	44.5	55.6	60	35.4	44.3	45
256PE-T3A	4	4	1.5	NA	NA	NA	NA	NA	NA	NA	NA	NA	NA	NA	NA	NA	NA	NA	NA	NA	NA
055VE-T3A		2	1.5	11.2	2880	15.1	20	12.4	2560	14	20	17150	46.1	57.7	60	-	-	-	-	-	-
066VE-T3A		2	1.5	11.2	2880	15.1	20	12.4	2560	14	20	19600	27.7	34.6	35	27.7	34.6	35	-	-	-
076VE-T3A		2	1.5	11.2	2880	15.1	20	12.4	2560	14	20	24500	32.4	40.5	45	32.4	40.5	45	-	-	-
087VE-T3A		2	1.5	11.2	2880	15.1	20	12.4	2560	14	20	24500	32.4	40.5	45	32.4	40.5	45	-	-	-
100VE-T3A		3	1.5	16.8	4320	20.1	25	18.6	3840	20.2	25	28000	39.5	49.4	50	39.5	49.4	50	-	-	-
114VE-T3A		3	1.5	16.8	4320	20.1	25	18.6	3840	20.2	25	35000	46.3	57.9	60	46.3	57.9	60	-	-	-
127VE-T3A		3	1.5	16.8	4320	20.1	25	18.6	3840	20.2	25	35000	46.3	57.9	60	46.3	57.9	60	-	-	-
145VE-T3A		3+	1.5	16.8	4320	20.1	25	18.6	3840	20.2	25	36000	47.6	59.5	60	47.6	59.5	60	-	-	-
172VE-T3A		4	1.5	22.4	5760	30.1	35	24.8	5120	30.1	35	47000	44.5	55.6	60	44.5	55.6	60	35.4	44.3	45
187VE-T3A		4	1.5	22.4	5760	30.1	35	24.8	5120	30.1	35	47000	44.5	55.6	60	44.5	55.6	60	35.4	44.3	45
217VE-T3A		4	1.5	NA	NA	NA	NA	NA	NA	NA	NA	NA	NA	NA	NA	NA	NA	NA	NA	NA	NA

NOTES:
 3+ indicates 3-fan "long" configuration (see dimensional data for details)
 * = data is same for either "E" or "M" models (see nomenclature, page 2)

**ELECTRICAL DATA
STANDARD MODELS - 460/3/60**

MODEL THP	FPI	FAN MOTORS										DEFROST HEATERS						
		QTY	HP	STANDARD				ECM *				WATTS	CIRCUIT #1			CIRCUIT #2		
				MOTOR FLA TOTAL	WATTS	MCA (A)	MAX. FUSE (AMPS)	MOTOR FLA TOTAL	WATTS	MCA (A)	MAX. FUSE (AMPS)		AMPS	MCA (A)	MAX. FUSE (AMPS)	AMPS	MCA (A)	MAX. FUSE (AMPS)
068ME-T4A		2	1	4.8	2200	5.4	15	6.2	1740	7	15	17150	23.2	29.0	30	-	-	-
081ME-T4A		2	1	4.8	2200	5.4	15	6.2	1740	7	15	19600	27.7	34.6	35	-	-	-
092ME-T4A		2	1	4.8	2200	5.4	15	6.2	1740	7	15	24500	32.4	40.5	45	-	-	-
108ME-T4A		2	1.5	5.6	2980	6.3	15	6.2	2560	7	15	24500	32.4	40.5	45	-	-	-
123ME-T4A		3	1	7.2	3300	7.8	15	9.3	2610	10.1	15	28000	39.5	49.4	50	-	-	-
135ME-T4A		3	1	7.2	3300	7.8	15	9.3	2610	10.1	15	35000	46.3	57.9	60	-	-	-
162ME-T4A		3	1.5	8.4	4470	9.1	15	9.3	3840	10.1	15	35000	46.3	57.9	60	-	-	-
181ME-T4A		3+	1.5	8.4	4470	9.1	15	9.3	3840	10.1	15	36000	47.6	59.5	60	-	-	-
221ME-T4A		4	1.5	11.2	5960	15.1	20	12.4	5120	15.1	20	47000	35.4	44.3	45	35.4	44.3	45
243ME-T4A		4	1.5	11.2	5960	15.1	20	12.4	5120	15.1	20	47000	35.4	44.3	45	35.4	44.3	45
271ME-T4A		4	1.5	11.2	5960	15.1	20	12.4	5120	15.1	20	56400	35.4	44.3	45	35.4	44.3	45
065LE-T4A	6	2	1.5	5.6	2980	6.3	15	6.2	2560	7	15	17150	23.2	29.0	30	-	-	-
078LE-T4A		2	1.5	5.6	2980	6.3	15	6.2	2560	7	15	19600	27.7	34.6	35	-	-	-
089LE-T4A		2	1.5	5.6	2980	6.3	15	6.2	2560	7	15	24500	32.4	40.5	45	-	-	-
094LE-T4A		2	1.5	5.6	2980	6.3	15	6.2	2560	7	15	24500	32.4	40.5	45	-	-	-
118LE-T4A		3	1.5	8.4	4470	9.1	15	9.3	3840	10.1	15	28000	39.5	49.4	50	-	-	-
134LE-T4A		3	1.5	8.4	4470	9.1	15	9.3	3840	10.1	15	35000	46.3	57.9	60	-	-	-
143LE-T4A		3	1.5	8.4	4470	9.1	15	9.3	3840	10.1	15	35000	46.3	57.9	60	-	-	-
161LE-T4A		3+	1.5	8.4	4470	9.1	15	9.3	3840	10.1	15	36000	47.6	59.5	60	-	-	-
175LE-T4A		4	1.5	11.2	5960	15.1	20	12.4	5120	15.1	20	37600	27.0	33.8	40	27.0	33.8	40
198LE-T4A		4	1.5	11.2	5960	15.1	20	12.4	5120	15.1	20	47000	35.4	44.3	45	35.4	44.3	45
216LE-T4A		4	1.5	11.2	5960	15.1	20	12.4	5120	15.1	20	47000	35.4	44.3	45	35.4	44.3	45
228LE-T4A		4	1.5	11.2	5960	15.1	20	12.4	5120	15.1	20	56400	35.4	44.3	45	35.4	44.3	45
059PE-T4A		2	1	4.8	2200	5.4	15	6.2	1740	7	15	17150	23.2	29.0	30	-	-	-
072PE-T4A		2	1	4.8	2200	5.4	15	6.2	1740	7	15	19600	27.7	34.6	35	-	-	-
083PE-T4A		2	1	4.8	2200	5.4	15	6.2	1740	7	15	24500	32.4	40.5	45	-	-	-
091PE-T4A		2	1	4.8	2200	5.4	15	6.2	1740	7	15	24500	32.4	40.5	45	-	-	-
109PE-T4A		3	1	7.2	3300	7.8	15	9.3	2610	10.1	15	28000	39.5	49.4	50	-	-	-
122PE-T4A		3	1	7.2	3300	7.8	15	9.3	2610	10.1	15	35000	46.3	57.9	60	-	-	-
137PE-T4A		3	1	7.2	3300	7.8	15	9.3	2610	10.1	15	35000	46.3	57.9	60	-	-	-
150PE-T4A		3+	1.5	8.4	4470	9.1	15	9.3	3840	10.1	15	36000	47.6	59.5	60	-	-	-
164PE-T4A		3+	1.5	8.4	4470	9.1	15	9.3	3840	10.1	15	36000	47.6	59.5	60	-	-	-
200PE-T4A		4	1.5	11.2	5960	15.1	20	12.4	5120	15.1	20	47000	35.4	44.3	45	35.4	44.3	45
222PE-T4A		4	1.5	11.2	5960	15.1	20	12.4	5120	15.1	20	47000	35.4	44.3	45	35.4	44.3	45
256PE-T4A	4	4	1.5	11.2	5960	15.1	20	12.4	5120	15.1	20	56400	35.4	44.3	45	35.4	44.3	45
055VE-T4A		2	1.5	5.6	2980	6.3	15	6.2	2560	7	15	17150	23.2	29.0	30	-	-	-
066VE-T4A		2	1.5	5.6	2980	6.3	15	6.2	2560	7	15	19600	27.7	34.6	35	-	-	-
076VE-T4A		2	1.5	5.6	2980	6.3	15	6.2	2560	7	15	24500	32.4	40.5	45	-	-	-
087VE-T4A		2	1.5	5.6	2980	6.3	15	6.2	2560	7	15	24500	32.4	40.5	45	-	-	-
100VE-T4A		3	1.5	8.4	4470	9.1	15	9.3	3840	10.1	15	28000	39.5	49.4	50	-	-	-
114VE-T4A		3	1.5	8.4	4470	9.1	15	9.3	3840	10.1	15	35000	46.3	57.9	60	-	-	-
127VE-T4A		3	1.5	8.4	4470	9.1	15	9.3	3840	10.1	15	35000	46.3	57.9	60	-	-	-
145VE-T4A		3+	1.5	8.4	4470	9.1	15	9.3	3840	10.1	15	36000	47.6	59.5	60	-	-	-
172VE-T4A		4	1.5	11.2	5960	15.1	20	12.4	5120	15.1	20	47000	35.4	44.3	45	35.4	44.3	45
187VE-T4A		4	1.5	11.2	5960	15.1	20	12.4	5120	15.1	20	47000	35.4	44.3	45	35.4	44.3	45
217VE-T4A		4	1.5	11.2	5960	15.1	20	12.4	5120	15.1	20	56400	35.4	44.3	45	35.4	44.3	45

NOTES:

3+ indicates 3-fan "long" configuration (see dimensional data for details)

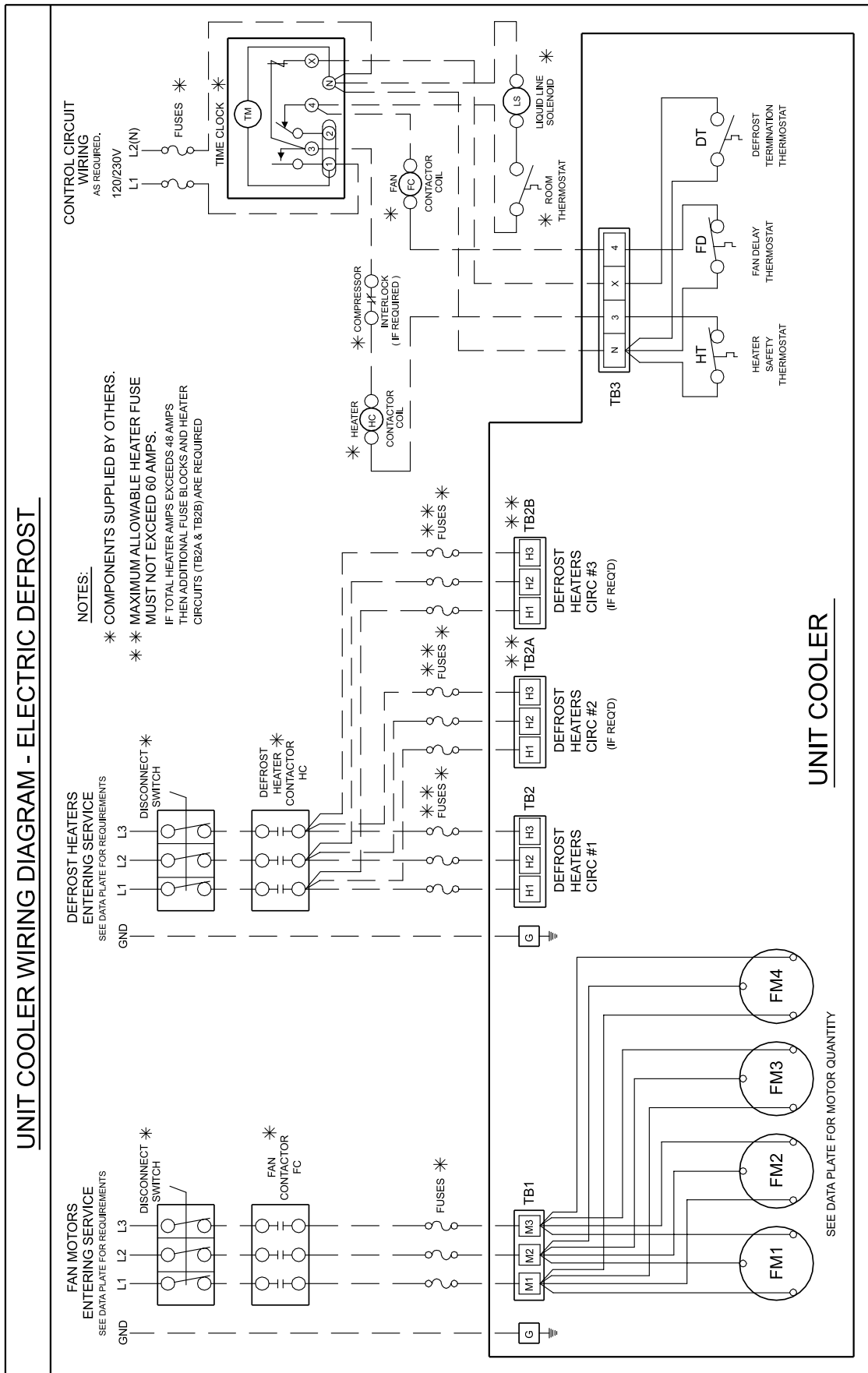
* = data is same for either "E" or "M" models (see nomenclature, page 2)

**ELECTRICAL DATA
STANDARD MODELS - 575/3/60**

MODEL THP	FPI	FAN MOTORS - 575/3/60						DEFROST HEATERS						
		FAN MOTOR QTY	HP	MOTOR FLA TOTAL	WATTS	MCA (A)	MAX. FUZE (AMPS)	WATTS	CIRCUIT #1			CIRCUIT #2		
									AMPS	MCA (A)	MAX. FUZE (AMPS)	AMPS	MCA (A)	MAX. FUZE (AMPS)
068ME-T5A	6	2	1	4.8	2180	5.4	15	17150	18.6	23.2	25.0	-	-	-
081ME-T5A		2	1	4.8	2180	5.4	15	19600	22.1	27.6	30.0	-	-	-
092ME-T5A		2	1	4.8	2180	5.4	15	24500	25.9	32.4	35.0	-	-	-
108ME-T5A		2	1.5	4.6	2860	5.2	15	24500	25.9	32.4	35.0	-	-	-
123ME-T5A		3	1	7.2	3270	7.8	15	28000	31.6	39.5	40.0	-	-	-
135ME-T5A		3	1	7.2	3270	7.8	15	35000	37.0	46.3	50.0	-	-	-
162ME-T5A		3	1.5	6.9	4290	7.5	15	35000	37.0	46.3	50.0	-	-	-
181ME-T5A		3+	1.5	6.9	4290	7.5	15	36000	38.1	47.6	50.0	-	-	-
221ME-T5A		4	1.5	9.2	5720	9.8	15	47000	28.3	35.4	40.0	28.3	35.4	40.0
243ME-T5A		4	1.5	9.2	5720	9.8	15	47000	28.3	35.4	40.0	28.3	35.4	40.0
271ME-T5A		4	1.5	9.2	5720	9.8	15	56400	28.3	35.4	40.0	28.3	35.4	40.0
065LE-T5A		2	1.5	4.6	2860	5.2	15	17150	18.6	23.2	25.0	-	-	-
078LE-T5A		2	1.5	4.6	2860	5.2	15	19600	22.1	27.6	30.0	-	-	-
089LE-T5A		2	1.5	4.6	2860	5.2	15	24500	25.9	32.4	35.0	-	-	-
094LE-T5A		2	1.5	4.6	2860	5.2	15	24500	25.9	32.4	35.0	-	-	-
118LE-T5A		3	1.5	6.9	4290	7.5	15	28000	31.6	39.5	40.0	-	-	-
134LE-T5A		3	1.5	6.9	4290	7.5	15	35000	37.0	46.3	50.0	-	-	-
143LE-T5A		3	1.5	6.9	4290	7.5	15	35000	37.0	46.3	50.0	-	-	-
161LE-T5A		3+	1.5	6.9	4290	7.5	15	36000	38.1	47.6	50.0	-	-	-
175LE-T5A		4	1.5	9.2	5720	9.8	15	37600	42.5	53.1	60.0	-	-	-
198LE-T5A		4	1.5	9.2	5720	9.8	15	47000	28.3	35.4	40.0	28.3	35.4	40.0
216LE-T5A		4	1.5	9.2	5720	9.8	15	47000	28.3	35.4	40.0	28.3	35.4	40.0
228LE-T5A		4	1.5	9.2	5720	9.8	15	56400	28.3	35.4	40.0	28.3	35.4	40.0
059PE-T5A		4	2	1	4.8	2180	5.4	15	17150	18.6	23.2	25.0	-	-
072PE-T5A	2		1	4.8	2180	5.4	15	19600	22.1	27.6	30.0	-	-	-
083PE-T5A	2		1	4.8	2180	5.4	15	24500	25.9	32.4	35.0	-	-	-
091PE-T5A	2		1	4.8	2180	5.4	15	24500	25.9	32.4	35.0	-	-	-
109PE-T5A	3		1	7.2	3270	7.8	15	28000	31.6	39.5	40.0	-	-	-
122PE-T5A	3		1	7.2	3270	7.8	15	35000	37.0	46.3	50.0	-	-	-
137PE-T5A	3		1	7.2	3270	7.8	15	35000	37.0	46.3	50.0	-	-	-
150PE-T5A	3+		1.5	6.9	4290	7.5	15	36000	38.1	47.6	50.0	-	-	-
164PE-T5A	3+		1.5	6.9	4290	7.5	15	36000	38.1	47.6	50.0	-	-	-
200PE-T5A	4		1.5	9.2	5720	9.8	15	47000	28.3	35.4	40.0	28.3	35.4	40.0
222PE-T5A	4		1.5	9.2	5720	9.8	15	47000	28.3	35.4	40.0	28.3	35.4	40.0
256PE-T5A	4		1.5	9.2	5720	9.8	15	56400	28.3	35.4	40.0	28.3	35.4	40.0
055VE-T5A	2		1.5	4.6	2860	5.2	15	17150	18.6	23.2	25.0	-	-	-
066VE-T5A	2		1.5	4.6	2860	5.2	15	19600	22.1	27.6	30.0	-	-	-
076VE-T5A	2		1.5	4.6	2860	5.2	15	24500	25.9	32.4	35.0	-	-	-
087VE-T5A	2		1.5	4.6	2860	5.2	15	24500	25.9	32.4	35.0	-	-	-
100VE-T5A	3		1.5	6.9	4290	7.5	15	28000	31.6	39.5	40.0	-	-	-
114VE-T5A	3		1.5	6.9	4290	7.5	15	35000	37.0	46.3	50.0	-	-	-
127VE-T5A	3		1.5	6.9	4290	7.5	15	35000	37.0	46.3	50.0	-	-	-
145VE-T5A	3+		1.5	6.9	4290	7.5	15	36000	38.1	47.6	50.0	-	-	-
172VE-T5A	4		1.5	9.2	5720	9.8	15	47000	28.3	35.4	40.0	28.3	35.4	40.0
187VE-T5A	4		1.5	9.2	5720	9.8	15	47000	28.3	35.4	40.0	28.3	35.4	40.0
217VE-T5A	4		1.5	9.2	5720	9.8	15	56400	28.3	35.4	40.0	28.3	35.4	40.0

NOTE: 3+ indicates 3-fan "long" configuration (see dimensional data for details)

WIRING DIAGRAM STANDARD UNITS

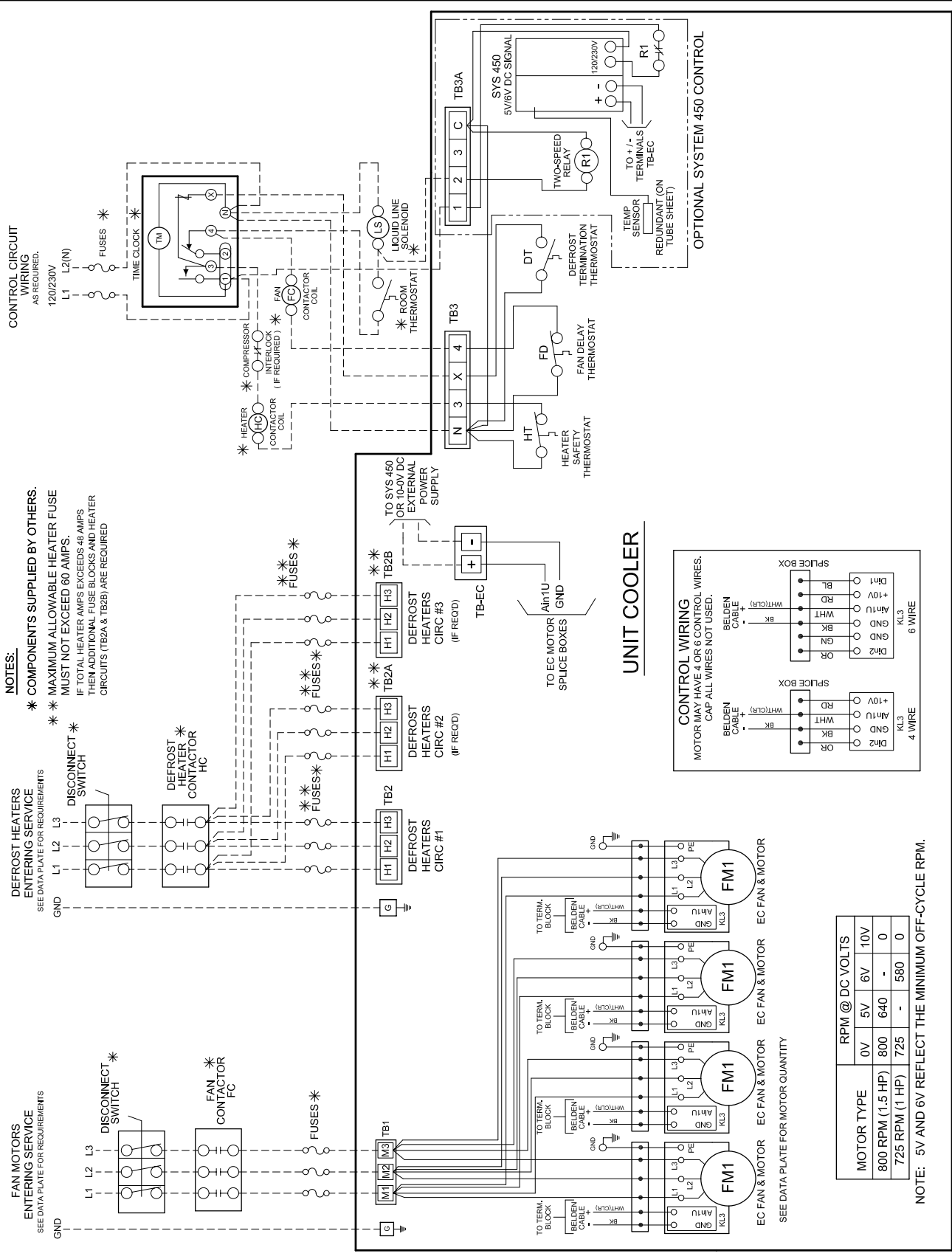


WIRING DIAGRAM

"E" - EC Motor - Packaged Assembly

E - EC MOTOR - Packages Assembly

TYPICAL UNIT COOLER WIRING DIAGRAM - ELECTRIC DEFROST AND TWO-SPEED WITH SYS 450

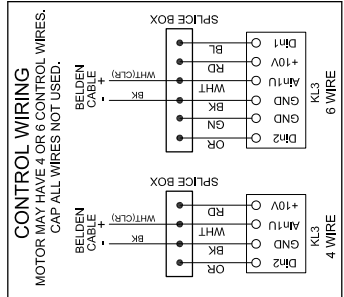


NOTES:

- * COMPONENTS SUPPLIED BY OTHERS.
- * MAXIMUM ALLOWABLE HEATER FUSE MUST NOT EXCEED 60 AMPS.
- * IF TOTAL HEATER AMPS EXCEEDS 48 AMPS THEN ADDITIONAL FUSE BLOCKS AND HEATER CIRCUITS (TB2A & TB2B) ARE REQUIRED

DEFROST HEATERS ENTERING SERVICE
SEE DATA PLATE FOR REQUIREMENTS

FAN MOTORS ENTERING SERVICE
SEE DATA PLATE FOR REQUIREMENTS



MOTOR TYPE	RPM @ DC VOLTS
800 RPM (1.5 HP)	0V 5V 6V 10V
725 RPM (1 HP)	800 640 - 0
	725 - 580 0

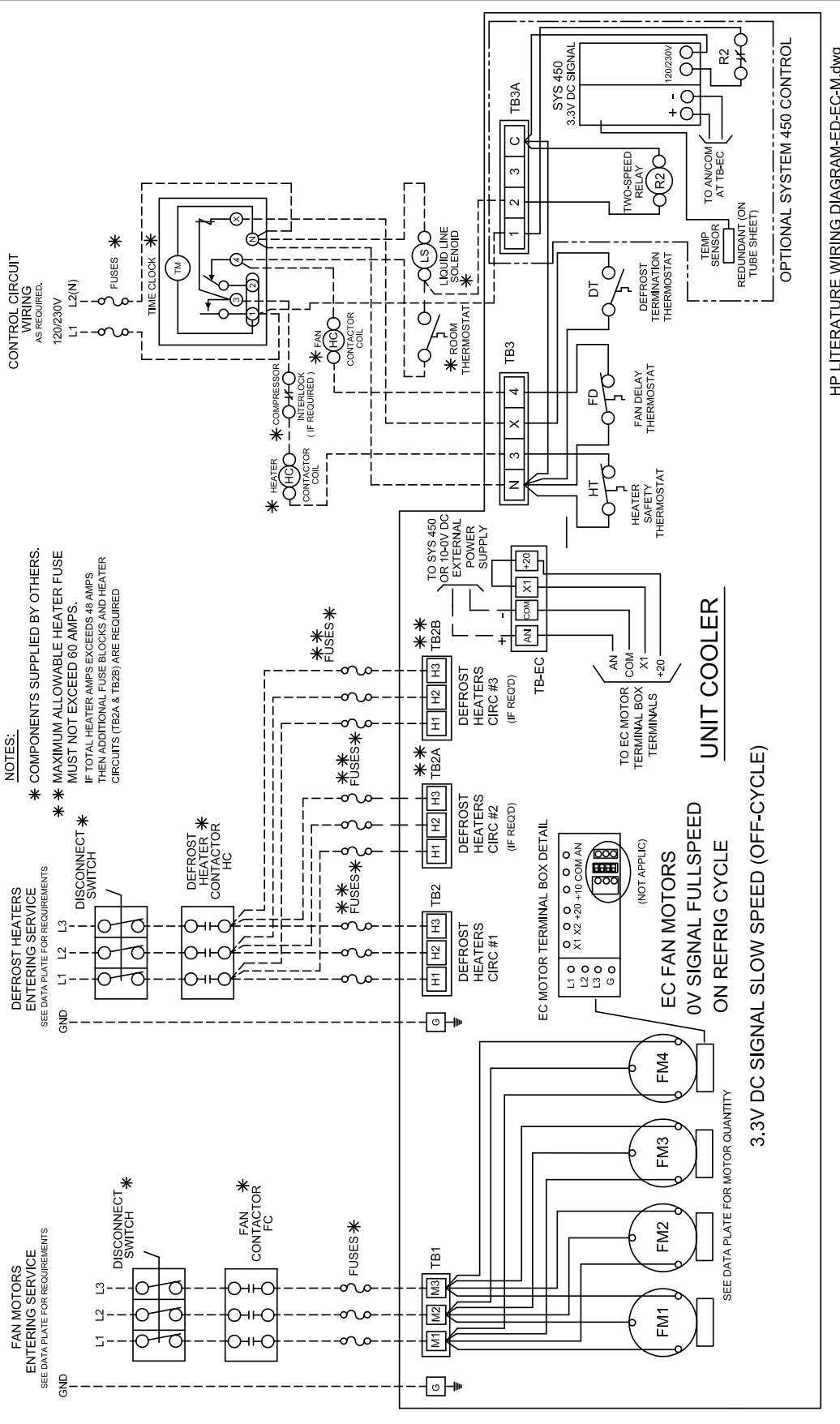
NOTE: 5V AND 6V REFLECT THE MINIMUM OFF-CYCLE RPM.

WIRING DIAGRAM

“M” - EC Motor - Motor Only (Conventional Shafted Style Motor)

M - EC MOTOR - Motor Only - Conventional Shafted Style Motor

TYPICAL UNIT COOLER WIRING DIAGRAM - ELECTRIC DEFROST AND TWO-SPEED WITH SYS 450



THPE

ESP+

60Hz

INTUITIVE EVAPORATOR CONTROL TECHNOLOGY

What is ESP+?

Trenton Refrigeration's ESP+ intuitive evaporator control technology is designed to replace traditional electro-mechanical refrigeration controls typically used on medium and low temperature applications. By combining award winning adaptive technology along with an electronic expansion valve, Trenton Refrigeration continues Leading The Way with innovative, state-of-the-art designs.

Installing an evaporator utilizing the ESP+ intuitive evaporator control technology is simple. Two pipes, two wires and you're done. No interconnecting control wiring between the evaporator and the condensing unit is required.

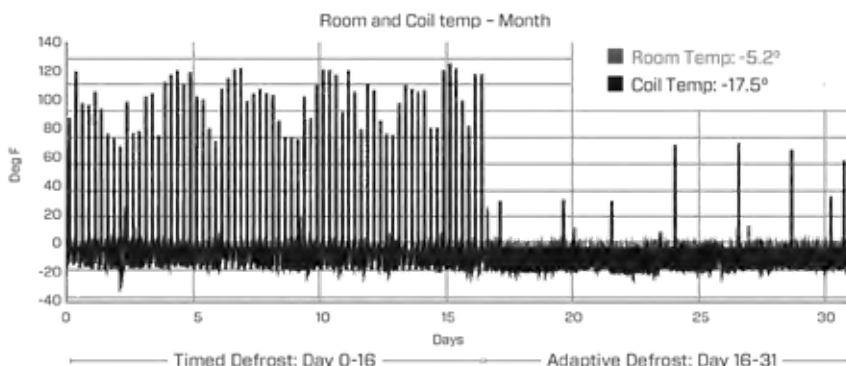
- Quick simple installation
- Improved evaporator performance by minimizing excessive frost on the evaporator
 - Eliminates ice build up on surfaces and product
 - Energy savings through evaporator fan management
- Energy savings with reduction in the number of defrost cycles
 - Defrost heater management
- Improved system diagnostics and service through advanced alarm notification text/email
 - Remote monitoring & system control
 - User friendly interface
- Precise temperature control for prolonged product shelf life
- Improved product integrity with less potential for spoilage
- Downloadable data provides system history for prior 30 days
- Remotely view and change system parameters and alarm settings
 - Manually control system
 - Easily troubleshoot issues

ESP+ controls:

- Box Temperature - Superheat
- Defrost Initiation - Defrost Termination - Fan Motors
- Defrost Heater (Electric Defrost Models)

Plus - User can access operating data directly from the system interface

15-20% System Energy Savings over a Properly Commissioned System!



86% Fewer Defrost Cycles*

- Enhanced system performance
- Energy Savings
- Improved product integrity

* Data may vary depending on application

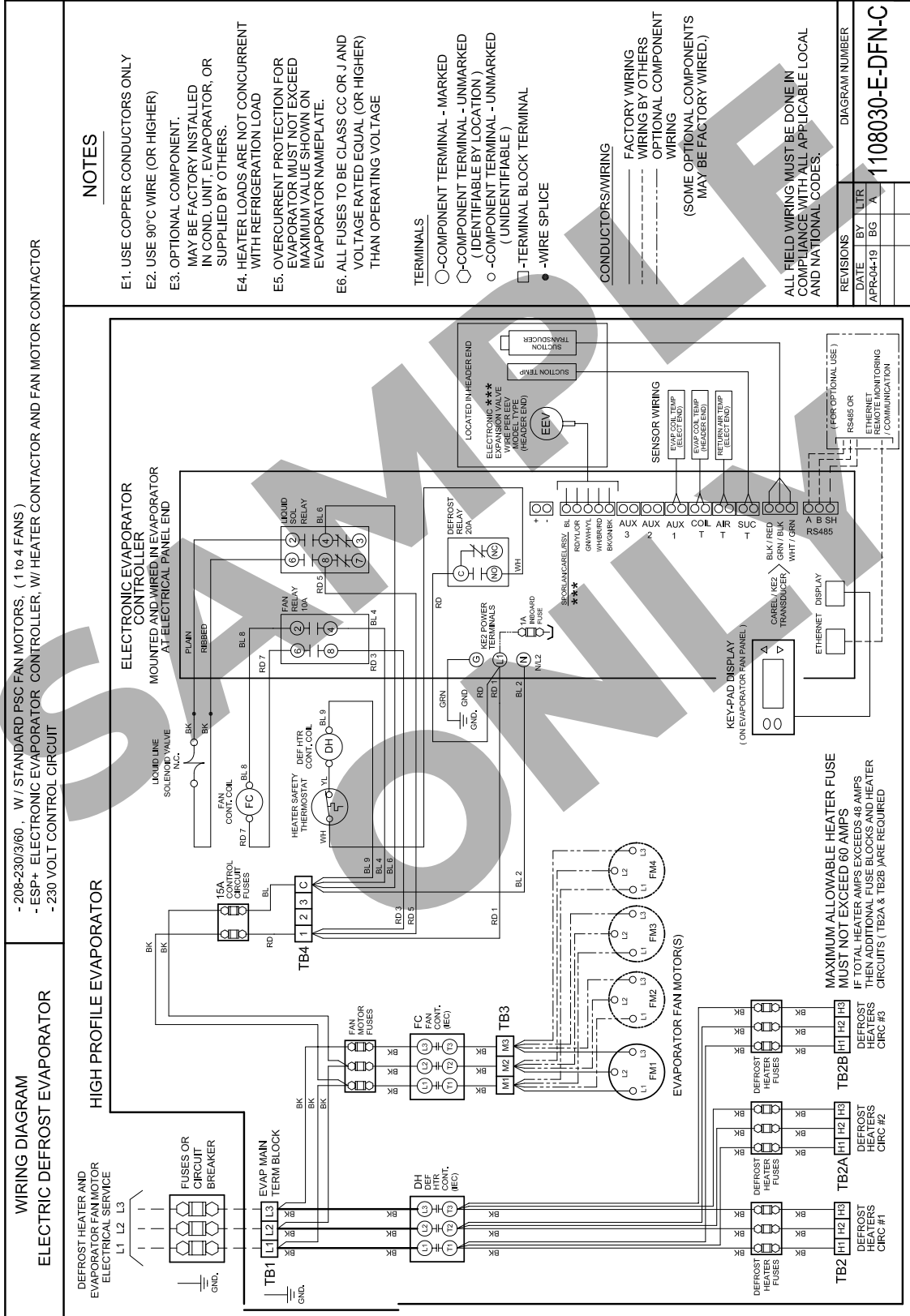
Visit www.t-rp.com/esp for details

WIRING DIAGRAM - 208-230/3/60 ELECTRIC DEFROST MODELS w/ ESP+

w/ EVAP. FAN and DEFROST HEATER CONTACTORS

SAMPLE ONLY:

Refer to Product Data and Installation for details specific to your unit

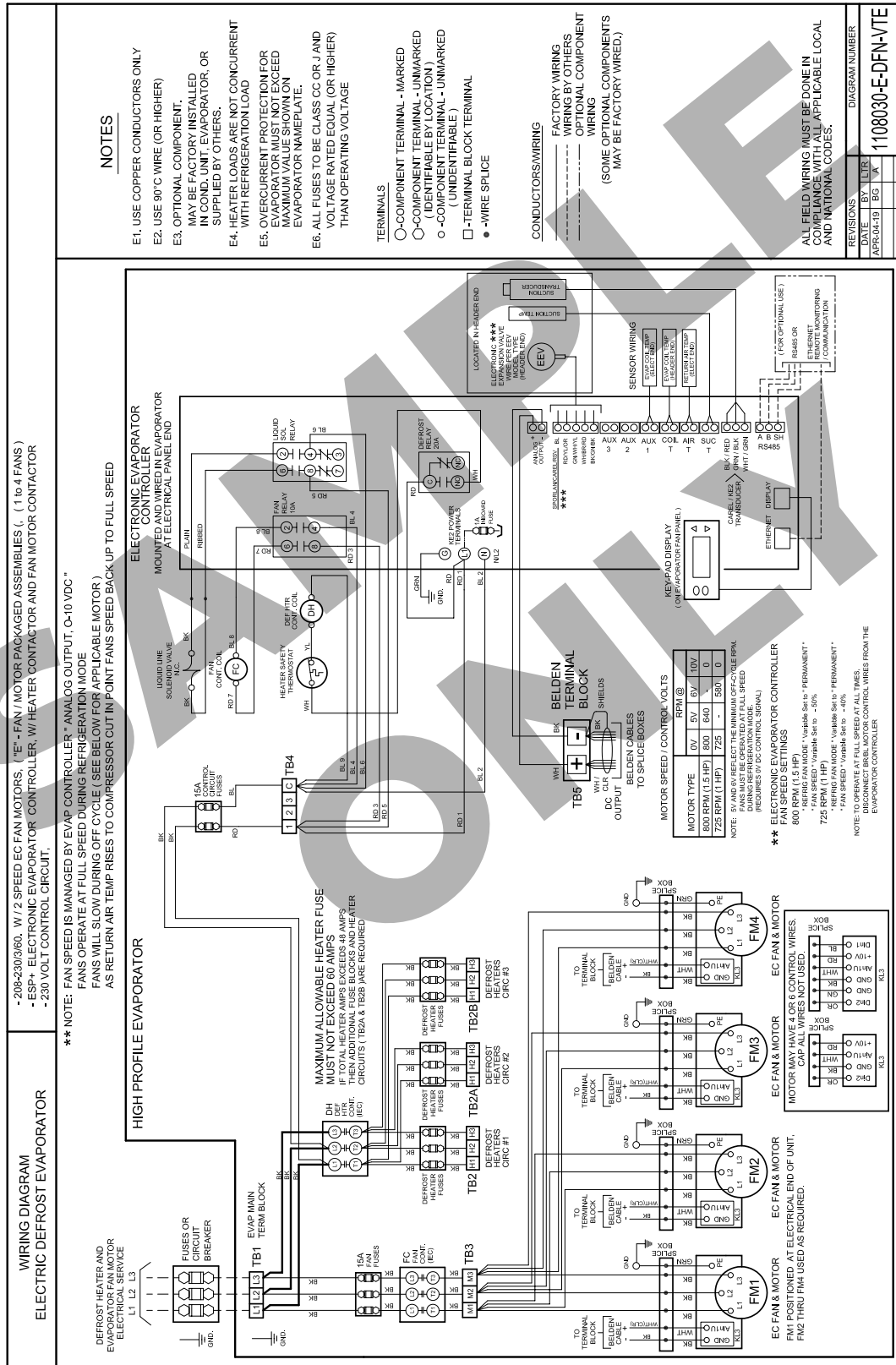


WIRING DIAGRAM - 208-230/3/60

ELECTRIC DEFROST MODELS w/ SHAFTED EC MOTORS with 2-SPEED OPERATION w/ ESP+ w/ EVAP. FAN and DEFROST HEATER CONTACTORS

SAMPLE ONLY:

Refer to Product Data and Installation for details specific to your unit



THPE

WIRING DIAGRAM - 460/3/60, 575/3/60

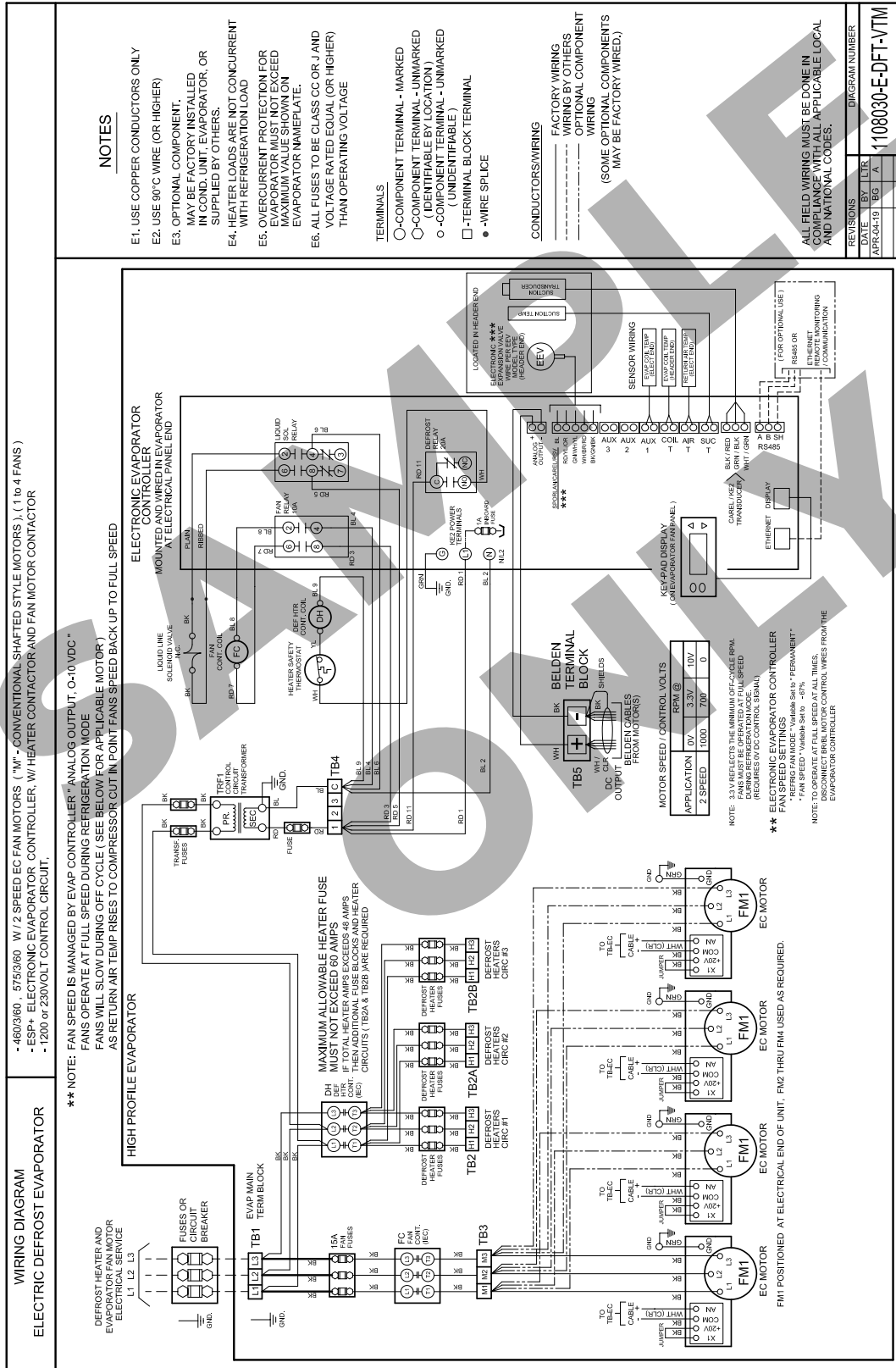
60Hz

ELECTRIC DEFROST MODELS

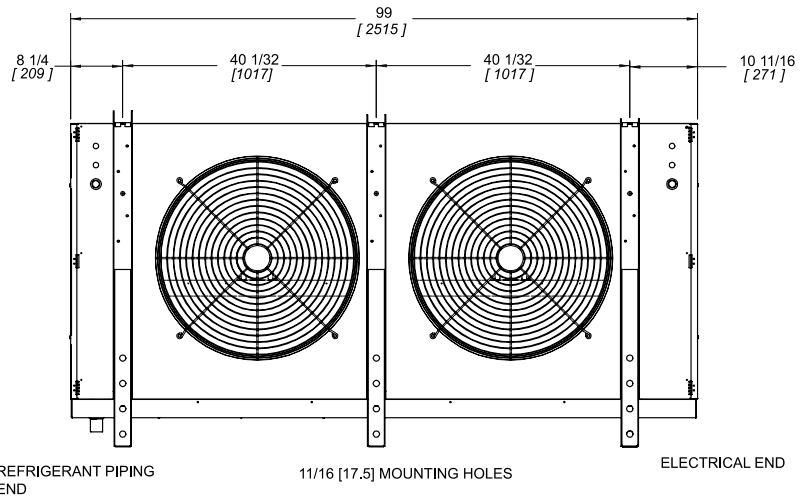
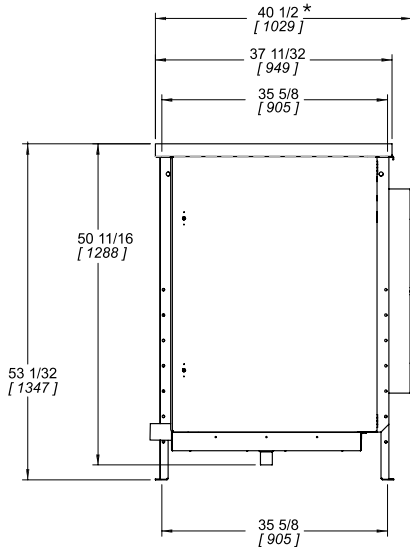
w/ SHAFTED EC MOTORS with 2-SPEED OPERATION w/ ESP+
w/ EVAP. FAN and DEFROST HEATER CONTACTORS

SAMPLE ONLY:

Refer to Product Data and Installation for details specific to your unit

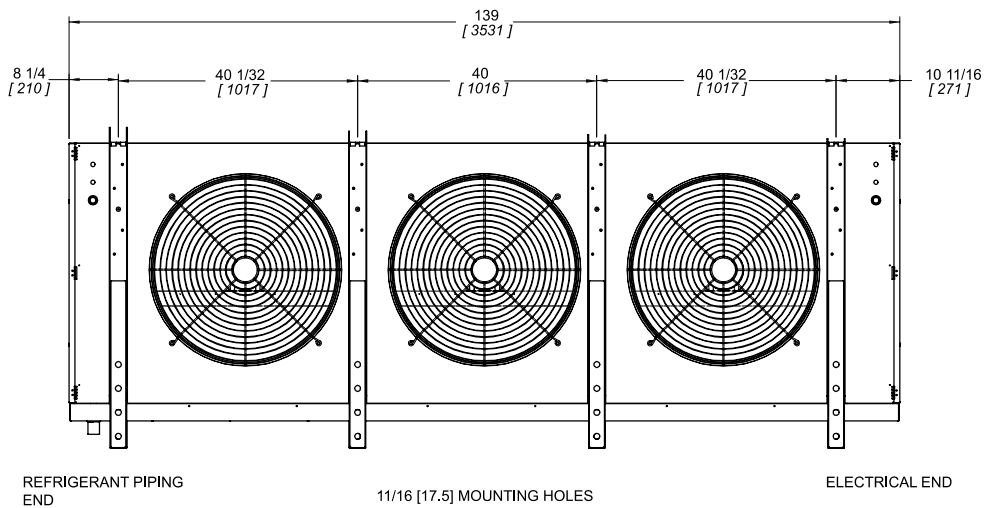
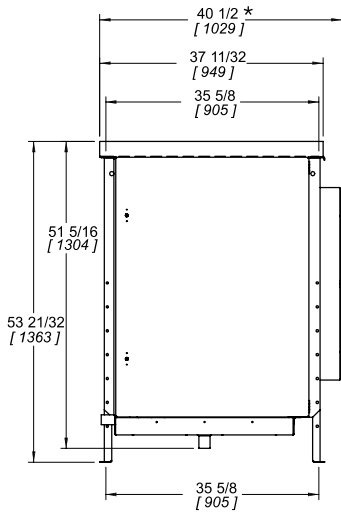


2 Fan Models



* Add 15" (381) when optional Throw Booster used.

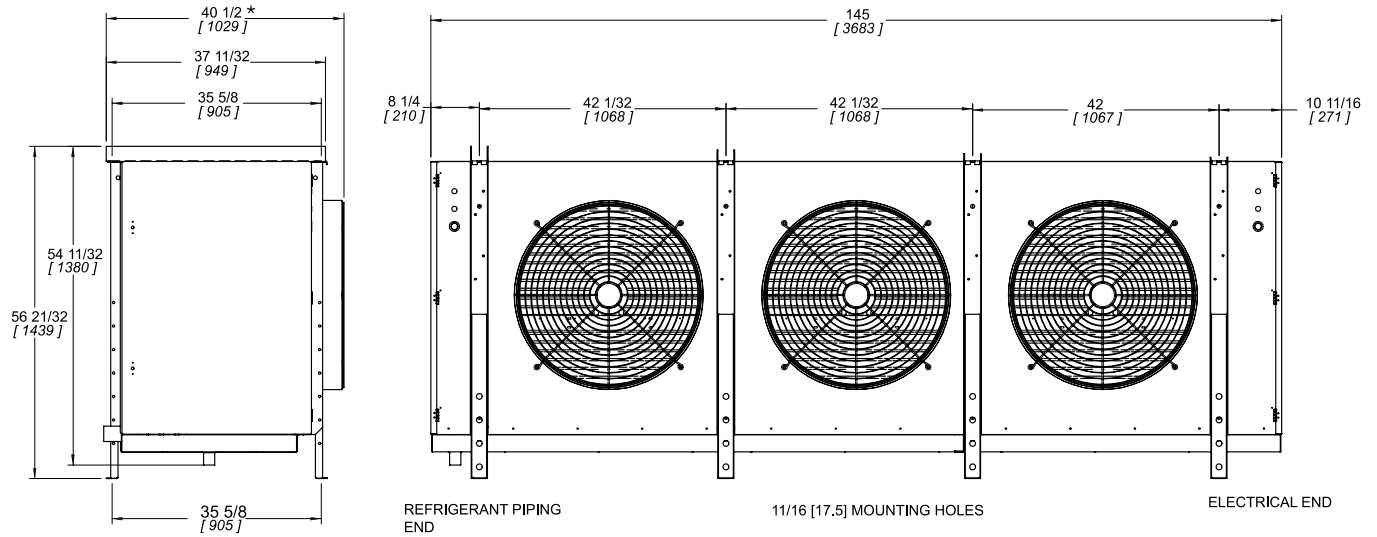
3 Fan Models



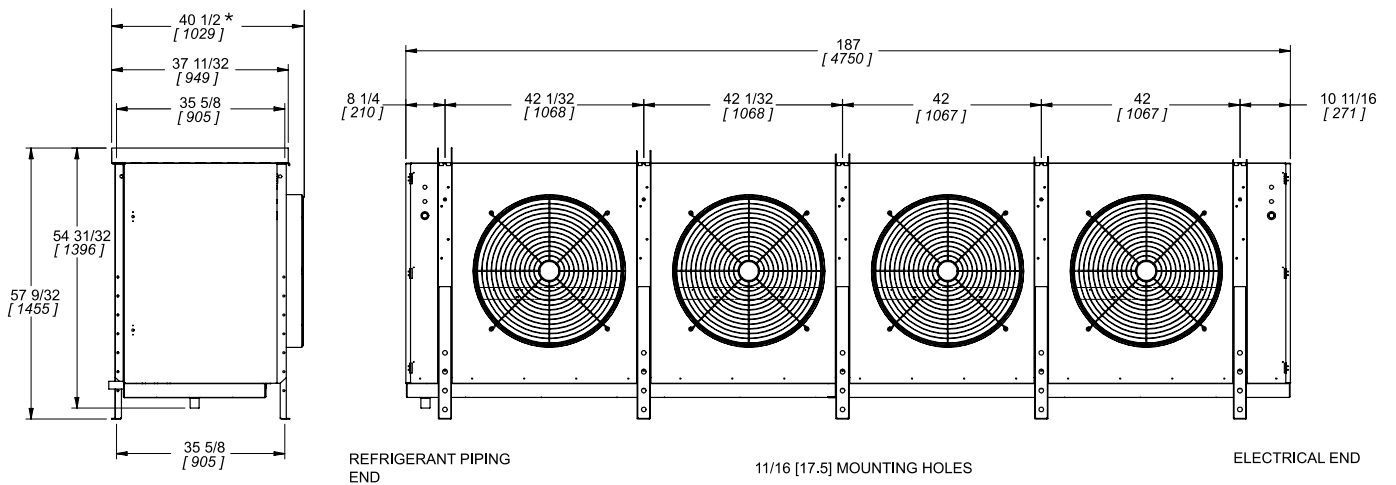
* Add 15" (381) when optional Throw Booster used.

Drain connections 1-1/4" FPT.

3 Fan (Long) Models



4 Fan Models



Drain connections 1-1/4" FPT.

THPE

**SPECIFICATIONS -
6 F.P.I. MODELS**

60Hz

Medium Temperature Models - 6 F.P.I.

Med. Temp. 6 FPI Models THP		068ME	081ME	092ME	108ME	123ME	135ME	162ME	181ME	221ME	243ME	271ME
Number Of Fans		2	2	2	2	3	3	3	3	4	4	4
Distributor Conn. (OD Sweat)	Inches (mm)	1-1/8 (29)	1-3/8 (35)	1-3/8 (35)	1-3/8 (35)	1-3/8 (35)	1-3/8 (35)	1-3/8 (35)	1-3/8 (35)	1-3/8 (35)	1-3/8 (35)	1-5/8 (41)
Suction Conn. (OD Sweat)	Inches (mm)	1-3/8 (35)	1-5/8 (41)	1-5/8 (41)	2-1/8 (54)	2-1/8 (54)	2-1/8 (54)	2-1/8 (54)	2-1/8 (54)	2-5/8 (67)	2-5/8 (67)	2-5/8 (67)
Approx. Net Weight	LB. (KG)	689 (313)	731 (332)	774 (352)	816 (371)	1049 (477)	1113 (507)	1177 (535)	1272 (577)	1558 (707)	1664 (755)	1876 (851)

Low Temperature Models - 6 F.P.I.

Low Temp. 6 FPI Models THP		065LE	078LE	089LE	094LE	118LE	134LE	143LE	161LE	175LE	198LE	216LE	228LE
Number Of Fans		2	2	2	2	3	3	3	3	4	4	4	4
Distributor Conn. (OD Sweat)	Inches (mm)	1-3/8 (35)	1-3/8 (35)	1-3/8 (35)	1-3/8 (35)	1-3/8 (35)	1-5/8 (41)	1-5/8 (41)	1-5/8 (41)	1-5/8 (41)	1-5/8 (41)	1-5/8 (41)	1-5/8 (41)
Suction Conn. (OD Sweat)	Inches (mm)	2-1/8 (54)	2-1/8 (54)	2-1/8 (54)	2-1/8 (54)	2-5/8 (67)	2-5/8 (67)	2-5/8 (67)	2-5/8 (67)	2-5/8 (67)	3-1/8 (80)	3-1/8 (80)	3-1/8 (80)
Approx. Net Weight	LB. (KG)	689 (313)	731 (332)	744 (352)	816 (371)	1049 (477)	1113 (507)	1177 (535)	1272 (577)	1452 (659)	1558 (707)	1664 (755)	1876 (851)

**SPECIFICATIONS -
4 F.P.I. MODELS**

Medium Temperature Models - 4 F.P.I.

Med. Temp. 4 FPI Models THP		059PE	072PE	083PE	091PE	109PE	122PE	137PE	150PE	164PE	200PE	222PE	256PE
Number Of Fans		2	2	2	2	3	3	3	3	3	4	4	4
Distributor Conn. (OD Sweat)	Inches (mm)	1-1/8 (29)	1-1/8 (29)	1-1/8 (29)	1-3/8 (35)	1-3/8 (35)	1-3/8 (35)	1-3/8 (35)	1-3/8 (35)	1-3/8 (35)	1-3/8 (35)	1-3/8 (35)	1-5/8 (41)
Suction Conn. (OD Sweat)	Inches (mm)	1-3/8 (35)	1-5/8 (41)	1-5/8 (41)	1-5/8 (41)	2-1/8 (54)	2-1/8 (54)	2-1/8 (54)	2-1/8 (54)	2-1/8 (54)	2-5/8 (67)	2-5/8 (67)	2-5/8 (67)
Approx. Net Weight	LB. (KG)	689 (313)	731 (332)	744 (352)	816 (371)	1049 (477)	1113 (507)	1177 (535)	1272 (577)	1452 (659)	1558 (707)	1664 (755)	1876 (851)

Low Temperature Models - 4 F.P.I.

Low Temp. 4 FPI Models THP		055VE	066VE	076VE	087VE	100VE	114VE	127VE	145VE	172VE	187VE	217VE
Number Of Fans		2	2	2	2	3	3	3	3	4	4	4
Distributor Conn. (OD Sweat)	Inches (mm)	1-3/8 (35)	1-3/8 (35)	1-3/8 (35)	1-3/8 (35)	1-3/8 (35)	1-5/8 (41)	1-5/8 (41)	1-5/8 (41)	1-5/8 (41)	1-5/8 (41)	1-5/8 (41)
Suction Conn. (OD Sweat)	Inches (mm)	2-1/8 (54)	2-1/8 (54)	2-1/8 (54)	2-1/8 (54)	2-5/8 (67)	2-5/8 (67)	2-5/8 (67)	2-5/8 (67)	2-5/8 (67)	3-1/8 (80)	3-1/8 (80)
Approx. Net Weight	LB. (KG)	678 (307)	710 (322)	742 (337)	784 (356)	1018 (461)	1071 (485)	1124 (510)	1219 (552)	1505 (683)	1601 (726)	1780 (808)

THPE DEFROST KIT AND FUSE PACKAGE SELECTIONS 60Hz

with Standard ODP Motors

Medium Temperature, 6 FPI, with standard ODP Motors

TEMP	FPI	# of Fans	Model THP	Voltage	1 X EVAPORATOR		2 X EVAPORATOR	
					Defrost Kit	Fuse Package	Defrost Kit	Fuse Package
ME - MEDIUM TEMPERATURE	6	2	068ME-T3A-S	208-230/3/60	DFK-22	FP-050	DFK-33	FP-084
			068ME-T4A-S	460/3/60	DFK-11	FP-096	DFK-20	FP-032
			068ME-T5A-S	575/3/60	DFK-11	FP-095	DFK-13	FP-094
			081ME-T3A-S	208-230/3/60	DFK-26	FP-054	DFK-35	FP-085
			081ME-T4A-S	460/3/60	DFK-17	FP-078	DFK-29	FP-031
			081ME-T5A-S	575/3/60	DFK-11	FP-096	DFK-20	FP-032
			092ME-T3A-S	208-230/3/60	DFK-26	FP-047	DFK-35	FP-040
			092ME-T4A-S	460/3/60	DFK-17	FP-079	DFK-29	FP-030
			092ME-T5A-S	575/3/60	DFK-17	FP-078	DFK-24	FP-031
			108ME-T3A-S	208-230/3/60	DFK-26	FP-046	DFK-35	FP-039
			108ME-T4A-S	460/3/60	DFK-17	FP-079	DFK-29	FP-030
			108ME-T5A-S	575/3/60	DFK-17	FP-078	DFK-24	FP-031
		3	123ME-T3A-S	208-230/3/60	DFK-26	FP-045	DFK-37	FP-038
			123ME-T4A-S	460/3/60	DFK-17	FP-080	DFK-29	FP-029
			123ME-T5A-S	575/3/60	DFK-17	FP-082	DFK-29	FP-027
			135ME-T3A-S	208-230/3/60	DFK-31	FP-044	DFK-38	FP-037
			135ME-T4A-S	460/3/60	DFK-22	FP-050	DFK-33	FP-084
			135ME-T5A-S	575/3/60	DFK-17	FP-080	DFK-29	FP-029
			162ME-T3A-S	208-230/3/60	DFK-31	FP-043	DFK-38	FP-036
			162ME-T4A-S	460/3/60	DFK-22	FP-050	DFK-33	FP-084
			162ME-T5A-S	575/3/60	DFK-17	FP-080	DFK-29	FP-029
			181ME-T3A-S	208-230/3/60	DFK-31	FP-043	DFK-38	FP-036
			181ME-T4A-S	460/3/60	DFK-22	FP-050	DFK-33	FP-084
			181ME-T5A-S	575/3/60	DFK-17	FP-080	DFK-29	FP-029
		4	221ME-T3A-S	208-230/3/60	DFK-39	FP-086	SPECIAL	SPECIAL
			221ME-T4A-S	460/3/60	DFK-26	FP-046	DFK-35	FP-039
			221ME-T5A-S	575/3/60	DFK-26	FP-083	DFK-35	FP-026
243ME-T3A-S	208-230/3/60		DFK-39	FP-086	SPECIAL	SPECIAL		
243ME-T4A-S	460/3/60		DFK-26	FP-046	DFK-35	FP-039		
243ME-T5A-S	575/3/60		DFK-26	FP-083	DFK-35	FP-026		
271ME-T4A-S	460/3/60	DFK-26	FP-046	DFK-35	FP-039			
271ME-T5A-S	575/3/60	DFK-26	FP-083	DFK-35	FP-026			

Medium Temperature, 4 FPI, with standard ODP Motors

TEMP	FPI	# of Fans	Model THP	Voltage	1 X EVAPORATOR		2 X EVAPORATOR	
					Defrost Kit	Fuse Package	Defrost Kit	Fuse Package
PE - MEDIUM TEMPERATURE	4	2	059PE-T3A-S	208-230/3/60	DFK-22	FP-050	DFK-33	FP-084
			059PE-T4A-S	460/3/60	DFK-11	FP-096	DFK-20	FP-032
			059PE-T5A-S	575/3/60	DFK-11	FP-095	DFK-13	FP-094
			072PE-T3A-S	208-230/3/60	DFK-26	FP-054	DFK-35	FP-085
			072PE-T4A-S	460/3/60	DFK-17	FP-078	DFK-29	FP-031
			072PE-T5A-S	575/3/60	DFK-11	FP-096	DFK-20	FP-032
			083PE-T3A-S	208-230/3/60	DFK-26	FP-047	DFK-35	FP-040
			083PE-T4A-S	460/3/60	DFK-17	FP-079	DFK-29	FP-030
			083PE-T5A-S	575/3/60	DFK-17	FP-078	DFK-24	FP-031
			091PE-T3A-S	208-230/3/60	DFK-26	FP-047	DFK-35	FP-040
			091PE-T4A-S	460/3/60	DFK-17	FP-079	DFK-29	FP-030
			091PE-T5A-S	575/3/60	DFK-17	FP-078	DFK-24	FP-031
		3	109PE-T3A-S	208-230/3/60	DFK-26	FP-045	DFK-37	FP-038
			109PE-T4A-S	460/3/60	DFK-17	FP-080	DFK-29	FP-029
			109PE-T5A-S	575/3/60	DFK-17	FP-082	DFK-29	FP-027
			122PE-T3A-S	208-230/3/60	DFK-31	FP-044	DFK-38	FP-037
			122PE-T4A-S	460/3/60	DFK-22	FP-050	DFK-33	FP-084
			122PE-T5A-S	575/3/60	DFK-17	FP-080	DFK-29	FP-029
			137PE-T3A-S	208-230/3/60	DFK-31	FP-044	DFK-38	FP-037
			137PE-T4A-S	460/3/60	DFK-22	FP-050	DFK-33	FP-084
			137PE-T5A-S	575/3/60	DFK-17	FP-080	DFK-29	FP-029
			150PE-T3A-S	208-230/3/60	DFK-31	FP-043	DFK-38	FP-036
			150PE-T4A-S	460/3/60	DFK-22	FP-050	DFK-33	FP-084
			150PE-T5A-S	575/3/60	DFK-17	FP-080	DFK-29	FP-029
		4	164PE-T3A-S	208-230/3/60	DFK-31	FP-043	DFK-38	FP-036
			164PE-T4A-S	460/3/60	DFK-22	FP-050	DFK-33	FP-084
			164PE-T5A-S	575/3/60	DFK-17	FP-080	DFK-29	FP-029
			200PE-T3A-S	208-230/3/60	DFK-39	FP-086	SPECIAL	SPECIAL
			200PE-T4A-S	460/3/60	DFK-26	FP-046	DFK-35	FP-039
			200PE-T5A-S	575/3/60	DFK-26	FP-083	DFK-35	FP-026
222PE-T3A-S	208-230/3/60	DFK-39	FP-086	SPECIAL	SPECIAL			
222PE-T4A-S	460/3/60	DFK-26	FP-046	DFK-35	FP-039			
222PE-T5A-S	575/3/60	DFK-26	FP-083	DFK-35	FP-026			
256PE-T4A-S	460/3/60	DFK-26	FP-046	DFK-35	FP-039			
256PE-T5A-S	575/3/60	DFK-26	FP-083	DFK-35	FP-026			

THPE DEFROST KIT AND FUSE PACKAGE SELECTIONS 60Hz

with Standard ODP Motors (cont'd)

Low Temperature, 6 FPI, with standard ODP Motors

TEMP	FPI	# of Fans	Model THP	Voltage	1 X EVAPORATOR		2 X EVAPORATOR	
					Defrost Kit	Fuse Package	Defrost Kit	Fuse Package
LE - LOW TEMPERATURE	6	2	065LE-T3A-S	208-230/3/60	DFK-22	FP-074	DFK-33	FP-025
			065LE-T4A-S	460/3/60	DFK-11	FP-096	DFK-20	FP-032
			065LE-T5A-S	575/3/60	DFK-11	FP-095	DFK-13	FP-094
			078LE-T3A-S	208-230/3/60	DFK-26	FP-075	DFK-35	FP-034
			078LE-T4A-S	460/3/60	DFK-17	FP-078	DFK-29	FP-031
			078LE-T5A-S	575/3/60	DFK-11	FP-096	DFK-20	FP-032
			089LE-T3A-S	208-230/3/60	DFK-26	FP-046	DFK-35	FP-039
			089LE-T4A-S	460/3/60	DFK-17	FP-079	DFK-29	FP-030
			089LE-T5A-S	575/3/60	DFK-17	FP-078	DFK-24	FP-031
			094LE-T3A-S	208-230/3/60	DFK-26	FP-046	DFK-35	FP-039
			094LE-T4A-S	460/3/60	DFK-17	FP-079	DFK-29	FP-030
			094LE-T5A-S	575/3/60	DFK-17	FP-078	DFK-24	FP-031
		3	118LE-T3A-S	208-230/3/60	DFK-26	FP-076	DFK-37	FP-033
			118LE-T4A-S	460/3/60	DFK-17	FP-080	DFK-29	FP-029
			118LE-T5A-S	575/3/60	DFK-17	FP-082	DFK-29	FP-027
			134LE-T3A-S	208-230/3/60	DFK-31	FP-043	DFK-38	FP-036
			134LE-T4A-S	460/3/60	DFK-22	FP-050	DFK-33	FP-084
			134LE-T5A-S	575/3/60	DFK-17	FP-080	DFK-29	FP-029
			143LE-T3A-S	208-230/3/60	DFK-31	FP-043	DFK-38	FP-036
			143LE-T4A-S	460/3/60	DFK-22	FP-050	DFK-33	FP-084
			143LE-T5A-S	575/3/60	DFK-17	FP-080	DFK-29	FP-029
			161LE-T3A-S	208-230/3/60	DFK-31	FP-043	DFK-38	FP-036
			161LE-T4A-S	460/3/60	DFK-22	FP-050	DFK-33	FP-084
			161LE-T5A-S	575/3/60	DFK-17	FP-080	DFK-29	FP-029
		4	175LE-T3A-S	208-230/3/60	DFK-39	FP-077	SPECIAL	SPECIAL
			175LE-T4A-S	460/3/60	DFK-26	FP-081	DFK-35	FP-028
			175LE-T5A-S	575/3/60	DFK-22	FP-050	DFK-33	FP-084
			198LE-T3A-S	208-230/3/60	DFK-39	FP-086	SPECIAL	SPECIAL
			198LE-T4A-S	460/3/60	DFK-26	FP-046	DFK-35	FP-039
			198LE-T5A-S	575/3/60	DFK-26	FP-083	DFK-35	FP-026
216LE-T3A-S	208-230/3/60		DFK-39	FP-086	SPECIAL	SPECIAL		
216LE-T4A-S	460/3/60		DFK-26	FP-046	DFK-35	FP-039		
216LE-T5A-S	575/3/60		DFK-26	FP-083	DFK-35	FP-026		
228LE-T4A-S	460/3/60		DFK-26	FP-046	DFK-35	FP-039		
228LE-T5A-S	575/3/60		DFK-26	FP-083	DFK-35	FP-026		

Very Low Temperature, 4 FPI, with standard ODP Motors

TEMP	FPI	# of Fans	Model THP	Voltage	1 X EVAPORATOR		2 X EVAPORATOR	
					Defrost Kit	Fuse Package	Defrost Kit	Fuse Package
VE - VERY LOW TEMPERATURE	4	2	055VE-T3A-S	208-230/3/60	DFK-22	FP-074	DFK-33	FP-025
			055VE-T4A-S	460/3/60	DFK-11	FP-096	DFK-20	FP-032
			055VE-T5A-S	575/3/60	DFK-11	FP-095	DFK-13	FP-094
			066VE-T3A-S	208-230/3/60	DFK-26	FP-075	DFK-35	FP-034
			066VE-T4A-S	460/3/60	DFK-17	FP-078	DFK-29	FP-031
			066VE-T5A-S	575/3/60	DFK-11	FP-096	DFK-20	FP-032
			076VE-T3A-S	208-230/3/60	DFK-26	FP-046	DFK-35	FP-039
			076VE-T4A-S	460/3/60	DFK-17	FP-079	DFK-29	FP-030
			076VE-T5A-S	575/3/60	DFK-17	FP-078	DFK-24	FP-031
			087VE-T3A-S	208-230/3/60	DFK-26	FP-046	DFK-35	FP-039
			087VE-T4A-S	460/3/60	DFK-17	FP-079	DFK-29	FP-030
			087VE-T5A-S	575/3/60	DFK-17	FP-078	DFK-24	FP-031
		3	100VE-T3A-S	208-230/3/60	DFK-26	FP-076	DFK-37	FP-033
			100VE-T4A-S	460/3/60	DFK-17	FP-080	DFK-29	FP-029
			100VE-T5A-S	575/3/60	DFK-17	FP-082	DFK-29	FP-027
			114VE-T3A-S	208-230/3/60	DFK-31	FP-043	DFK-38	FP-036
			114VE-T4A-S	460/3/60	DFK-22	FP-050	DFK-33	FP-084
			114VE-T5A-S	575/3/60	DFK-17	FP-080	DFK-29	FP-029
			127VE-T3A-S	208-230/3/60	DFK-31	FP-043	DFK-38	FP-036
			127VE-T4A-S	460/3/60	DFK-22	FP-050	DFK-33	FP-084
			127VE-T5A-S	575/3/60	DFK-17	FP-080	DFK-29	FP-029
			145VE-T3A-S	208-230/3/60	DFK-31	FP-043	DFK-38	FP-036
			145VE-T4A-S	460/3/60	DFK-22	FP-050	DFK-33	FP-084
			145VE-T5A-S	575/3/60	DFK-17	FP-080	DFK-29	FP-029
		4	172VE-T3A-S	208-230/3/60	DFK-39	FP-086	SPECIAL	SPECIAL
			172VE-T4A-S	460/3/60	DFK-26	FP-046	DFK-35	FP-039
			172VE-T5A-S	575/3/60	DFK-26	FP-083	DFK-35	FP-026
			187VE-T3A-S	208-230/3/60	DFK-39	FP-086	SPECIAL	SPECIAL
			187VE-T4A-S	460/3/60	DFK-26	FP-046	DFK-35	FP-039
			187VE-T5A-S	575/3/60	DFK-26	FP-083	DFK-35	FP-026
217VE-T4A-S	460/3/60	DFK-26	FP-046	DFK-35	FP-039			
217VE-T5A-S	575/3/60	DFK-26	FP-083	DFK-35	FP-026			

THPE DEFROST KIT AND FUSE PACKAGE SELECTIONS 60Hz

with Optional TEFC Motors

Medium Temperature, 6 FPI, with optional TEFC Motors

TEMP	FPI	# of Fans	Model THP	Voltage	1 X EVAPORATOR		2 X EVAPORATOR	
					Defrost Kit	Fuse Package	Defrost Kit	Fuse Package
ME - MEDIUM TEMPERATURE	6	2	068ME-T3A-T	208-230/3/60	DFK-22	FP-050	DFK-33	FP-084
			068ME-T4A-T	460/3/60	DFK-11	FP-096	DFK-20	FP-032
			068ME-T5A-T	575/3/60	DFK-11	FP-095	DFK-13	FP-094
			081ME-T3A-T	208-230/3/60	DFK-26	FP-054	DFK-35	FP-085
			081ME-T4A-T	460/3/60	DFK-17	FP-078	DFK-29	FP-031
			081ME-T5A-T	575/3/60	DFK-11	FP-096	DFK-20	FP-032
			092ME-T3A-T	208-230/3/60	DFK-26	FP-047	DFK-35	FP-040
			092ME-T4A-T	460/3/60	DFK-17	FP-079	DFK-29	FP-030
			092ME-T5A-T	575/3/60	DFK-17	FP-078	DFK-24	FP-031
			108ME-T3A-T	208-230/3/60	DFK-26	FP-046	DFK-35	FP-039
		108ME-T4A-T	460/3/60	DFK-17	FP-079	DFK-29	FP-030	
		108ME-T5A-T	575/3/60	DFK-17	FP-078	DFK-24	FP-031	
		123ME-T3A-T	208-230/3/60	DFK-26	FP-076	DFK-37	FP-033	
		123ME-T4A-T	460/3/60	DFK-17	FP-080	DFK-29	FP-029	
		123ME-T5A-T	575/3/60	DFK-17	FP-082	DFK-29	FP-027	
		135ME-T3A-T	208-230/3/60	DFK-31	FP-043	DFK-38	FP-036	
		135ME-T4A-T	460/3/60	DFK-22	FP-050	DFK-33	FP-084	
		135ME-T5A-T	575/3/60	DFK-17	FP-080	DFK-29	FP-029	
		162ME-T3A-T	208-230/3/60	DFK-31	FP-043	DFK-38	FP-036	
		162ME-T4A-T	460/3/60	DFK-22	FP-050	DFK-33	FP-084	
		162ME-T5A-T	575/3/60	DFK-17	FP-080	DFK-29	FP-029	
		181ME-T3A-T	208-230/3/60	DFK-31	FP-043	DFK-38	FP-036	
		181ME-T4A-T	460/3/60	DFK-22	FP-050	DFK-33	FP-084	
		181ME-T5A-T	575/3/60	DFK-17	FP-080	DFK-29	FP-029	
		221ME-T3A-T	208-230/3/60	DFK-39	FP-086	SPECIAL	SPECIAL	
		221ME-T4A-T	460/3/60	DFK-26	FP-046	DFK-35	FP-039	
		221ME-T5A-T	575/3/60	DFK-26	FP-083	DFK-35	FP-026	
		243ME-T3A-T	208-230/3/60	DFK-39	FP-086	SPECIAL	SPECIAL	
		243ME-T4A-T	460/3/60	DFK-26	FP-046	DFK-35	FP-039	
		243ME-T5A-T	575/3/60	DFK-26	FP-083	DFK-35	FP-026	
271ME-T4A-T	460/3/60	DFK-26	FP-046	DFK-35	FP-039			
271ME-T5A-T	575/3/60	DFK-26	FP-083	DFK-35	FP-026			

Medium Temperature, 4 FPI, with optional TEFC Motors

TEMP	FPI	# of Fans	Model THP	Voltage	1 X EVAPORATOR		2 X EVAPORATOR	
					Defrost Kit	Fuse Package	Defrost Kit	Fuse Package
PE - MEDIUM TEMPERATURE	4	2	059PE-T3A-T	208-230/3/60	DFK-22	FP-050	DFK-33	FP-084
			059PE-T4A-T	460/3/60	DFK-11	FP-096	DFK-20	FP-032
			059PE-T5A-T	575/3/60	DFK-11	FP-095	DFK-13	FP-094
			072PE-T3A-T	208-230/3/60	DFK-26	FP-054	DFK-35	FP-085
			072PE-T4A-T	460/3/60	DFK-17	FP-078	DFK-29	FP-031
			072PE-T5A-T	575/3/60	DFK-11	FP-096	DFK-20	FP-032
			083PE-T3A-T	208-230/3/60	DFK-26	FP-047	DFK-35	FP-040
			083PE-T4A-T	460/3/60	DFK-17	FP-079	DFK-29	FP-030
			083PE-T5A-T	575/3/60	DFK-17	FP-078	DFK-24	FP-031
			091PE-T3A-T	208-230/3/60	DFK-26	FP-047	DFK-35	FP-040
		091PE-T4A-T	460/3/60	DFK-17	FP-079	DFK-29	FP-030	
		091PE-T5A-T	575/3/60	DFK-17	FP-078	DFK-24	FP-031	
		109PE-T3A-T	208-230/3/60	DFK-26	FP-076	DFK-37	FP-033	
		109PE-T4A-T	460/3/60	DFK-17	FP-080	DFK-29	FP-029	
		109PE-T5A-T	575/3/60	DFK-17	FP-082	DFK-29	FP-027	
		122PE-T3A-T	208-230/3/60	DFK-31	FP-043	DFK-38	FP-036	
		122PE-T4A-T	460/3/60	DFK-22	FP-050	DFK-33	FP-084	
		122PE-T5A-T	575/3/60	DFK-17	FP-080	DFK-29	FP-029	
		137PE-T3A-T	208-230/3/60	DFK-31	FP-043	DFK-38	FP-036	
		137PE-T4A-T	460/3/60	DFK-22	FP-050	DFK-33	FP-084	
		137PE-T5A-T	575/3/60	DFK-17	FP-080	DFK-29	FP-029	
		150PE-T3A-T	208-230/3/60	DFK-31	FP-043	DFK-38	FP-036	
		150PE-T4A-T	460/3/60	DFK-22	FP-050	DFK-33	FP-084	
		150PE-T5A-T	575/3/60	DFK-17	FP-080	DFK-29	FP-029	
		164PE-T3A-T	208-230/3/60	DFK-31	FP-043	DFK-38	FP-036	
		164PE-T4A-T	460/3/60	DFK-22	FP-050	DFK-33	FP-084	
		164PE-T5A-T	575/3/60	DFK-17	FP-080	DFK-29	FP-029	
		200PE-T3A-T	208-230/3/60	DFK-39	FP-086	SPECIAL	SPECIAL	
		200PE-T4A-T	460/3/60	DFK-26	FP-046	DFK-35	FP-039	
		200PE-T5A-T	575/3/60	DFK-26	FP-083	DFK-35	FP-026	
222PE-T3A-T	208-230/3/60	DFK-39	FP-086	SPECIAL	SPECIAL			
222PE-T4A-T	460/3/60	DFK-26	FP-046	DFK-35	FP-039			
222PE-T5A-T	575/3/60	DFK-26	FP-083	DFK-35	FP-026			
256PE-T4A-T	460/3/60	DFK-26	FP-046	DFK-35	FP-039			
256PE-T5A-T	575/3/60	DFK-26	FP-083	DFK-35	FP-026			

THPE DEFROST KIT AND FUSE PACKAGE SELECTIONS 60Hz

with Optional TEFC Motors (cont'd)

Low Temperature, 6 FPI, with optional TEFC Motors

TEMP	FPI	# of Fans	Model THP	Voltage	1 X EVAPORATOR		2 X EVAPORATOR	
					Defrost Kit	Fuse Package	Defrost Kit	Fuse Package
LE - LOW TEMPERATURE	6	2	065LE-T3A-T	208-230/3/60	DFK-22	FP-074	DFK-33	FP-025
			065LE-T4A-T	460/3/60	DFK-11	FP-096	DFK-20	FP-032
			065LE-T5A-T	575/3/60	DFK-11	FP-095	DFK-13	FP-094
			078LE-T3A-T	208-230/3/60	DFK-26	FP-075	DFK-35	FP-034
			078LE-T4A-T	460/3/60	DFK-17	FP-078	DFK-29	FP-031
			078LE-T5A-T	575/3/60	DFK-11	FP-096	DFK-20	FP-032
			089LE-T3A-T	208-230/3/60	DFK-26	FP-046	DFK-35	FP-039
			089LE-T4A-T	460/3/60	DFK-17	FP-079	DFK-29	FP-030
			089LE-T5A-T	575/3/60	DFK-17	FP-078	DFK-24	FP-031
		094LE-T3A-T	208-230/3/60	DFK-26	FP-046	DFK-35	FP-039	
		094LE-T4A-T	460/3/60	DFK-17	FP-079	DFK-29	FP-030	
		094LE-T5A-T	575/3/60	DFK-17	FP-078	DFK-24	FP-031	
		118LE-T3A-T	208-230/3/60	DFK-26	FP-076	DFK-37	FP-033	
		118LE-T4A-T	460/3/60	DFK-17	FP-080	DFK-29	FP-029	
		118LE-T5A-T	575/3/60	DFK-17	FP-082	DFK-29	FP-027	
		134LE-T3A-T	208-230/3/60	DFK-31	FP-043	DFK-38	FP-036	
		134LE-T4A-T	460/3/60	DFK-22	FP-050	DFK-33	FP-084	
		134LE-T5A-T	575/3/60	DFK-17	FP-080	DFK-29	FP-029	
	143LE-T3A-T	208-230/3/60	DFK-31	FP-043	DFK-38	FP-036		
	143LE-T4A-T	460/3/60	DFK-22	FP-050	DFK-33	FP-084		
	143LE-T5A-T	575/3/60	DFK-17	FP-080	DFK-29	FP-029		
	161LE-T3A-T	208-230/3/60	DFK-31	FP-043	DFK-38	FP-036		
	161LE-T4A-T	460/3/60	DFK-22	FP-050	DFK-33	FP-084		
	161LE-T5A-T	575/3/60	DFK-17	FP-080	DFK-29	FP-029		
	175LE-T3A-T	208-230/3/60	DFK-39	FP-077	SPECIAL	SPECIAL		
	175LE-T4A-T	460/3/60	DFK-26	FP-081	DFK-35	FP-028		
	175LE-T5A-T	575/3/60	DFK-22	FP-050	DFK-33	FP-084		
	198LE-T3A-T	208-230/3/60	DFK-39	FP-086	SPECIAL	SPECIAL		
	198LE-T4A-T	460/3/60	DFK-26	FP-046	DFK-35	FP-039		
	198LE-T5A-T	575/3/60	DFK-26	FP-083	DFK-35	FP-026		
	216LE-T3A-T	208-230/3/60	DFK-39	FP-086	SPECIAL	SPECIAL		
	216LE-T4A-T	460/3/60	DFK-26	FP-046	DFK-35	FP-039		
	216LE-T5A-T	575/3/60	DFK-26	FP-083	DFK-35	FP-026		
	228LE-T4A-T	460/3/60	DFK-26	FP-046	DFK-35	FP-039		
	228LE-T5A-T	575/3/60	DFK-26	FP-083	DFK-35	FP-026		

Very Low Temperature, 4 FPI, with optional TEFC Motors

TEMP	FPI	# of Fans	Model THP	Voltage	1 X EVAPORATOR		2 X EVAPORATOR	
					Defrost Kit	Fuse Package	Defrost Kit	Fuse Package
VE - VERY LOW TEMPERATURE	4	2	055VE-T3A-T	208-230/3/60	DFK-22	FP-074	DFK-33	FP-025
			055VE-T4A-T	460/3/60	DFK-11	FP-096	DFK-20	FP-032
			055VE-T5A-T	575/3/60	DFK-11	FP-095	DFK-13	FP-094
			066VE-T3A-T	208-230/3/60	DFK-26	FP-075	DFK-35	FP-034
			066VE-T4A-T	460/3/60	DFK-17	FP-078	DFK-29	FP-031
			066VE-T5A-T	575/3/60	DFK-11	FP-096	DFK-20	FP-032
			076VE-T3A-T	208-230/3/60	DFK-26	FP-046	DFK-35	FP-039
			076VE-T4A-T	460/3/60	DFK-17	FP-079	DFK-29	FP-030
			076VE-T5A-T	575/3/60	DFK-17	FP-078	DFK-24	FP-031
		087VE-T3A-T	208-230/3/60	DFK-26	FP-046	DFK-35	FP-039	
		087VE-T4A-T	460/3/60	DFK-17	FP-079	DFK-29	FP-030	
		087VE-T5A-T	575/3/60	DFK-17	FP-078	DFK-24	FP-031	
		100VE-T3A-T	208-230/3/60	DFK-26	FP-076	DFK-37	FP-033	
		100VE-T4A-T	460/3/60	DFK-17	FP-080	DFK-29	FP-029	
		100VE-T5A-T	575/3/60	DFK-17	FP-082	DFK-29	FP-027	
		114VE-T3A-T	208-230/3/60	DFK-31	FP-043	DFK-38	FP-036	
		114VE-T4A-T	460/3/60	DFK-22	FP-050	DFK-33	FP-084	
		114VE-T5A-T	575/3/60	DFK-17	FP-080	DFK-29	FP-029	
	127VE-T3A-T	208-230/3/60	DFK-31	FP-043	DFK-38	FP-036		
	127VE-T4A-T	460/3/60	DFK-22	FP-050	DFK-33	FP-084		
	127VE-T5A-T	575/3/60	DFK-17	FP-080	DFK-29	FP-029		
	145VE-T3A-T	208-230/3/60	DFK-31	FP-043	DFK-38	FP-036		
	145VE-T4A-T	460/3/60	DFK-22	FP-050	DFK-33	FP-084		
	145VE-T5A-T	575/3/60	DFK-17	FP-080	DFK-29	FP-029		
	172VE-T3A-T	208-230/3/60	DFK-39	FP-086	SPECIAL	SPECIAL		
	172VE-T4A-T	460/3/60	DFK-26	FP-046	DFK-35	FP-039		
	172VE-T5A-T	575/3/60	DFK-26	FP-083	DFK-35	FP-026		
	187VE-T3A-T	208-230/3/60	DFK-39	FP-086	SPECIAL	SPECIAL		
	187VE-T4A-T	460/3/60	DFK-26	FP-046	DFK-35	FP-039		
	187VE-T5A-T	575/3/60	DFK-26	FP-083	DFK-35	FP-026		
	217VE-T4A-T	460/3/60	DFK-26	FP-046	DFK-35	FP-039		
	217VE-T5A-T	575/3/60	DFK-26	FP-083	DFK-35	FP-026		

THPE DEFROST KIT AND FUSE PACKAGE SELECTIONS 60Hz

with Variable Speed EC Motors

Medium Temperature, 6 FPI, with Variable Speed EC Motors

TEMP	FPI	# of Fans	Model THP	Voltage	1 X EVAPORATOR		2 X EVAPORATOR	
					Defrost Kit	Fuse Package	Defrost Kit	Fuse Package
ME - MEDIUM TEMPERATURE	6	2	068ME-T3A-M	208-230/3/60	DFK-22	FP-074	DFK-33	FP-025
			068ME-T4A-M	460/3/60	DFK-11	FP-096	DFK-20	FP-032
			081ME-T3A-M	208-230/3/60	DFK-26	FP-075	DFK-35	FP-034
			081ME-T4A-M	460/3/60	DFK-17	FP-078	DFK-29	FP-031
			092ME-T3A-M	208-230/3/60	DFK-26	FP-046	DFK-35	FP-039
			092ME-T4A-M	460/3/60	DFK-17	FP-079	DFK-29	FP-030
		108ME-T3A-M	208-230/3/60	DFK-26	FP-046	DFK-35	FP-039	
		108ME-T4A-M	460/3/60	DFK-17	FP-079	DFK-29	FP-030	
		123ME-T3A-M	208-230/3/60	DFK-26	FP-076	DFK-37	FP-033	
		123ME-T4A-M	460/3/60	DFK-17	FP-080	DFK-29	FP-029	
		135ME-T3A-M	208-230/3/60	DFK-31	FP-043	DFK-38	FP-036	
		135ME-T4A-M	460/3/60	DFK-22	FP-050	DFK-33	FP-084	
	162ME-T3A-M	208-230/3/60	DFK-31	FP-043	DFK-38	FP-036		
	162ME-T4A-M	460/3/60	DFK-22	FP-050	DFK-33	FP-084		
	181ME-T3A-M	208-230/3/60	DFK-31	FP-043	DFK-38	FP-036		
	181ME-T4A-M	460/3/60	DFK-22	FP-050	DFK-33	FP-084		
	221ME-T3A-M	208-230/3/60	DFK-39	FP-086	SPECIAL	SPECIAL		
	221ME-T4A-M	460/3/60	DFK-26	FP-046	DFK-35	FP-039		
	243ME-T3A-M	208-230/3/60	DFK-39	FP-086	SPECIAL	SPECIAL		
	243ME-T4A-M	460/3/60	DFK-26	FP-046	DFK-35	FP-039		
	271ME-T4A-M	460/3/60	DFK-26	FP-046	DFK-35	FP-039		

Medium Temperature, 4 FPI, with Variable Speed EC Motors

TEMP	FPI	# of Fans	Model THP	Voltage	1 X EVAPORATOR		2 X EVAPORATOR	
					Defrost Kit	Fuse Package	Defrost Kit	Fuse Package
PE - MEDIUM TEMPERATURE	4	2	059PE-T3A-M	208-230/3/60	DFK-22	FP-074	DFK-33	FP-025
			059PE-T4A-M	460/3/60	DFK-11	FP-096	DFK-20	FP-032
			072PE-T3A-M	208-230/3/60	DFK-26	FP-075	DFK-35	FP-034
			072PE-T4A-M	460/3/60	DFK-17	FP-078	DFK-29	FP-031
			083PE-T3A-M	208-230/3/60	DFK-26	FP-046	DFK-35	FP-039
			083PE-T4A-M	460/3/60	DFK-17	FP-079	DFK-29	FP-030
		091PE-T3A-M	208-230/3/60	DFK-26	FP-046	DFK-35	FP-039	
		091PE-T4A-M	460/3/60	DFK-17	FP-079	DFK-29	FP-030	
		109PE-T3A-M	208-230/3/60	DFK-26	FP-076	DFK-37	FP-033	
		109PE-T4A-M	460/3/60	DFK-17	FP-080	DFK-29	FP-029	
		122PE-T3A-M	208-230/3/60	DFK-31	FP-043	DFK-38	FP-036	
		122PE-T4A-M	460/3/60	DFK-22	FP-050	DFK-33	FP-084	
	137PE-T3A-M	208-230/3/60	DFK-31	FP-043	DFK-38	FP-036		
	137PE-T4A-M	460/3/60	DFK-22	FP-050	DFK-33	FP-084		
	150PE-T3A-M	208-230/3/60	DFK-31	FP-043	DFK-38	FP-036		
	150PE-T4A-M	460/3/60	DFK-22	FP-050	DFK-33	FP-084		
	164PE-T3A-M	208-230/3/60	DFK-31	FP-043	DFK-38	FP-036		
	164PE-T4A-M	460/3/60	DFK-22	FP-050	DFK-33	FP-084		
	200PE-T3A-M	208-230/3/60	DFK-39	FP-086	SPECIAL	SPECIAL		
	200PE-T4A-M	460/3/60	DFK-26	FP-046	DFK-35	FP-039		
	222PE-T3A-M	208-230/3/60	DFK-39	FP-086	SPECIAL	SPECIAL		
222PE-T4A-M	460/3/60	DFK-26	FP-046	DFK-35	FP-039			
256PE-T4A-M	460/3/60	DFK-26	FP-046	DFK-35	FP-039			

THPE DEFROST KIT AND FUSE PACKAGE SELECTIONS 60Hz

with Variable Speed EC Motors (cont'd)

Low Temperature, 6 FPI, with Variable Speed EC Motors

TEMP	FPI	# of Fans	Model THP	Voltage	1 X EVAPORATOR		2 X EVAPORATOR	
					Defrost Kit	Fuse Package	Defrost Kit	Fuse Package
LE - LOW TEMPERATURE	6	2	065LE-T3A-M	208-230/3/60	DFK-22	FP-074	DFK-33	FP-025
			065LE-T4A-M	460/3/60	DFK-11	FP-096	DFK-20	FP-032
			078LE-T3A-M	208-230/3/60	DFK-26	FP-075	DFK-35	FP-034
			078LE-T4A-M	460/3/60	DFK-17	FP-078	DFK-29	FP-031
			089LE-T3A-M	208-230/3/60	DFK-26	FP-046	DFK-35	FP-039
			089LE-T4A-M	460/3/60	DFK-17	FP-079	DFK-29	FP-030
			094LE-T3A-M	208-230/3/60	DFK-26	FP-046	DFK-35	FP-039
			094LE-T4A-M	460/3/60	DFK-17	FP-079	DFK-29	FP-030
			118LE-T3A-M	208-230/3/60	DFK-26	FP-076	DFK-37	FP-033
			118LE-T4A-M	460/3/60	DFK-17	FP-080	DFK-29	FP-029
			134LE-T3A-M	208-230/3/60	DFK-31	FP-043	DFK-38	FP-036
			134LE-T4A-M	460/3/60	DFK-22	FP-050	DFK-33	FP-084
		143LE-T3A-M	208-230/3/60	DFK-31	FP-043	DFK-38	FP-036	
		143LE-T4A-M	460/3/60	DFK-22	FP-050	DFK-33	FP-084	
		161LE-T3A-M	208-230/3/60	DFK-31	FP-043	DFK-38	FP-036	
		161LE-T4A-M	460/3/60	DFK-22	FP-050	DFK-33	FP-084	
		175LE-T3A-M	208-230/3/60	DFK-39	FP-077	SPECIAL	SPECIAL	
		175LE-T4A-M	460/3/60	DFK-26	FP-081	DFK-35	FP-028	
		198LE-T3A-M	208-230/3/60	DFK-39	FP-086	SPECIAL	SPECIAL	
		198LE-T4A-M	460/3/60	DFK-26	FP-046	DFK-35	FP-039	
		216LE-T3A-M	208-230/3/60	DFK-39	FP-086	SPECIAL	SPECIAL	
		216LE-T4A-M	460/3/60	DFK-26	FP-046	DFK-35	FP-039	
		228LE-T4A-M	460/3/60	DFK-26	FP-046	DFK-35	FP-039	

Very Low Temperature, 4 FPI, with Variable Speed EC Motors

TEMP	FPI	# of Fans	Model THP	Voltage	1 X EVAPORATOR		2 X EVAPORATOR	
					Defrost Kit	Fuse Package	Defrost Kit	Fuse Package
VE - VERY LOW TEMPERATURE	4	2	055VE-T3A-M	208-230/3/60	DFK-22	FP-074	DFK-33	FP-025
			055VE-T4A-M	460/3/60	DFK-11	FP-096	DFK-20	FP-032
			066VE-T3A-M	208-230/3/60	DFK-26	FP-075	DFK-35	FP-034
			066VE-T4A-M	460/3/60	DFK-17	FP-078	DFK-29	FP-031
			076VE-T3A-M	208-230/3/60	DFK-26	FP-046	DFK-35	FP-039
			076VE-T4A-M	460/3/60	DFK-17	FP-079	DFK-29	FP-030
			087VE-T3A-M	208-230/3/60	DFK-26	FP-046	DFK-35	FP-039
			087VE-T4A-M	460/3/60	DFK-17	FP-079	DFK-29	FP-030
			100VE-T3A-M	208-230/3/60	DFK-26	FP-076	DFK-37	FP-033
			100VE-T4A-M	460/3/60	DFK-17	FP-080	DFK-29	FP-029
			114VE-T3A-M	208-230/3/60	DFK-31	FP-043	DFK-38	FP-036
			114VE-T4A-M	460/3/60	DFK-22	FP-050	DFK-33	FP-084
		127VE-T3A-M	208-230/3/60	DFK-31	FP-043	DFK-38	FP-036	
		127VE-T4A-M	460/3/60	DFK-22	FP-050	DFK-33	FP-084	
		145VE-T3A-M	208-230/3/60	DFK-31	FP-043	DFK-38	FP-036	
		145VE-T4A-M	460/3/60	DFK-22	FP-050	DFK-33	FP-084	
		172VE-T3A-M	208-230/3/60	DFK-39	FP-086	SPECIAL	SPECIAL	
		172VE-T4A-M	460/3/60	DFK-26	FP-046	DFK-35	FP-039	
		187VE-T3A-M	208-230/3/60	DFK-39	FP-086	SPECIAL	SPECIAL	
		187VE-T4A-M	460/3/60	DFK-26	FP-046	DFK-35	FP-039	
		217VE-T4A-M	460/3/60	DFK-26	FP-046	DFK-35	FP-039	

Defrost Kits

Number of Evaps.	Kit Part Number	Description
1	DFK-01	Time Clock, HtrCont - 1x 40A (3P), FB 1x 30A (1P)
1	DFK-02	Time Clock, HtrCont - 1x 40A (3P), FB 1x 30A (2P)
1	DFK-03	Time Clock, HtrCont - 1x 40A (3P), FB 1x 30A (3P)
1	DFK-04	Time Clock, HtrCont - 1x 40A (3P), FB 1x 60A (2P)
2	DFK-05	Time Clock, HtrCont - 1x 40A (3P), FB 2x 30A (1P)
2	DFK-06	Time Clock, HtrCont - 1x 40A (3P), FB 2x 30A (2P)
2	DFK-07	Time Clock, HtrCont - 1x 40A (3P), FB 2x 30A (3P)
2	DFK-08	Time Clock, HtrCont - 1x 50A (3P), FB 2x 60A (2P)
2	DFK-09	Time Clock, HtrCont - 1x 50A (3P), FB 2x 30A (2P)
1	DFK-10	Time Clock, HtrCont - 1x 40A (3P), FanCont - 1x 40A (3P), FB 2x 30A (2P)
1	DFK-11	Time Clock, HtrCont - 1x 40A (3P), FanCont - 1x 40A (3P), FB 2x 30A (3P)
2	DFK-12	Time Clock, HtrCont - 1x 40A (3P), FanCont - 1x 40A (3P), FB 4x 30A (2P)
2	DFK-13	Time Clock, HtrCont - 1x 40A (3P), FanCont - 1x 40A (3P), FB 4x 30A (3P)
1	DFK-14	Time Clock, HtrCont - 1x 40A (3P), FanCont - 1x 40A (3P), FB 1x 30A (2P), FB 1x 30A (3P)
1	DFK-15	Time Clock, HtrCont - 1x40A (3P), FanCont - 1x 40A (3P), FB 1x 30A (2P), FB 1x 60A (2P)
1	DFK-16	Time Clock, HtrCont - 1x 40A (3P), FanCont - 1x 40A (3P), FB 1x 30A (2P), FB 1x 60A (3P)
1	DFK-17	Time Clock, HtrCont - 1x 40A (3P), FanCont - 1x 40A (3P), FB 1x 30A (3P), FB 1x 60A (3P)
2	DFK-18	Time Clock, HtrCont - 1x 40A (3P), FanCont - 1x 40A (3P), FB 2x 30A (2P), FB 2x 30A (3P)
2	DFK-19	Time Clock, HtrCont - 1x 50A (3P), FanCont - 1x 40A (3P), FB 4x 30A (2P)
2	DFK-20	Time Clock, HtrCont - 1x 50A (3P), FanCont - 1x 40A (3P), FB 4x 30A (3P)
1	DFK-21	Time Clock, HtrCont - 1x 50A (3P), FanCont - 1x 40A (3P), FB 1x 30A (2P), FB 1x 60A (2P)
1	DFK-22	Time Clock, HtrCont - 1x 50A (3P), FanCont - 1x 40A (3P), FB 1x 30A (3P), FB 1x 60A (3P)
2	DFK-23	Time Clock, HtrCont - 1x 50A (3P), FanCont - 1x 40A (3P), FB 2x 30A (2P), FB 2x 30A (3P)
2	DFK-24	Time Clock, HtrCont - 1x 50A (3P), FanCont - 1x 40A (3P), FB 2x 30A (3P), FB 2x 60A (3P)
1	DFK-25	Time Clock, HtrCont - 2x 40A (3P), FanCont - 1x 40A (3P), FB 1x 30A (2P), FB 2x 60A (2P)
1	DFK-26	Time Clock, HtrCont - 2x 40A (3P), FanCont - 1x 40A (3P), FB 1x 30A (3P), FB 2x 60A (3P)
2	DFK-27	Time Clock, HtrCont - 2x 40A (3P), FanCont - 1x 40A (3P), FB 2x 30A (2P), FB 2x 60A (2P)
2	DFK-28	Time Clock, HtrCont - 2x 40A (3P), FanCont - 1x 40A (3P), FB 2x 30A (2P), FB 2x 60A (3P)
2	DFK-29	Time Clock, HtrCont - 2x 40A (3P), FanCont - 1x 40A (3P), FB 2x 30A (3P), FB 2x 60A (3P)
2	DFK-30	Time Clock, HtrCont - 2x 40A (3P), FanCont - 1x 50A (3P), FB 2x 30A (2P), FB 2x 60A (3P)
1	DFK-31	Time Clock, HtrCont - 2x 50A (3P), FanCont - 1x 40A (3P), FB 1x 30A (3P), FB 2x 60A (3P)
2	DFK-32	Time Clock, HtrCont - 2x 50A (3P), FanCont - 1x 40A (3P), FB 2x 30A (2P), FB 2x 60A (2P)
2	DFK-33	Time Clock, HtrCont - 2x 50A (3P), FanCont - 1x 40A (3P), FB 2x 30A (3P), FB 2x 60A (3P)
2	DFK-34	Time Clock, HtrCont - 4x 40A (3P), FanCont - 1x 40A (3P), FB 2x 30A (2P), FB 4x 60A (2P)
2	DFK-35	Time Clock, HtrCont - 4x 40A (3P), FanCont - 1x 40A (3P), FB 2x 30A (3P), FB 4x 60A (3P)
2	DFK-36	Time Clock, HtrCont - 4x 40A (3P), FanCont - 1x 50A (3P), FB 2x 30A (2P), FB 4x 60A (2P)
2	DFK-37	Time Clock, HtrCont - 4x 40A (3P), FanCont - 1x 50A (3P), FB 2x 30A (3P), FB 4x 60A (3P)
2	DFK-38	Time Clock, HtrCont - 4x 50A (3P), FanCont - 1x 50A (3P), FB 2x 30A (3P), FB 4x 60A (3P)
1	DFK-39	Time Clock, HtrCont1 - 1x 40A (3P), HtrCont2 - 2x 50A (3P), FanCont - 1x 40A (3P), FB 4x 60A (3P)

NOTE: HtrCont = Heater Contactor, FanCont = Fan Contactor, FB = Fuse Block, (1P), (2P), (3P) = Number of Poles

(cont'd)

Fuse Packages

Package Part Number	Description
FP-001	FUSES (1) 15AMP
FP-002	FUSES (1) 20AMP
FP-003	FUSES (1) 25AMP
FP-004	FUSES (2) 15AMP
FP-006	FUSES (2) 20AMP
FP-007	FUSES (2) 25AMP
FP-008	FUSES (4) 15AMP
FP-010	FUSES (4) 25AMP
FP-012	FUSES (2) 35AMP
FP-013	FUSES (3) 15AMP
FP-014	FUSES (3) 20AMP
FP-015	FUSES (4) 20AMP
FP-016	FUSES (4) 20AMP (6) 45AMP
FP-017	FUSES (4) 35AMP
FP-018	FUSES (6) 15AMP
FP-019	FUSES (6) 20AMP
FP-020	FUSES (2) 30AMP
FP-021	FUSES (4) 30AMP
FP-022	FUSES (8) 15AMP
FP-023	FUSES (2) 25AMP (3) 50AMP
FP-024	FUSES (2) 20AMP (3) 45AMP
FP-025	FUSES (6) 20AMP (6) 60AMP
FP-026	FUSES (6) 15AMP (12) 40AMP
FP-027	FUSES (6) 15AMP (6) 40AMP
FP-028	FUSES (6) 20AMP (12) 40AMP
FP-029	FUSES (6) 15AMP (6) 50AMP
FP-030	FUSES (6) 15AMP (6) 45AMP
FP-031	FUSES (6) 15AMP (6) 35AMP
FP-032	FUSES (6) 15AMP (6) 30AMP
FP-033	FUSES (6) 25AMP (12) 50AMP
FP-034	FUSES (6) 20AMP (12) 35AMP
FP-035	FUSES (4) 25AMP (6) 50AMP
FP-036	FUSES (6) 25AMP (12) 60AMP
FP-037	FUSES (6) 20AMP (12) 60AMP
FP-038	FUSES (6) 20AMP (12) 50AMP
FP-039	FUSES (6) 20AMP (12) 45AMP
FP-040	FUSES (6) 15AMP (12) 45AMP
FP-041	FUSES (5) 15AMP
FP-042	FUSES (10) 15AMP
FP-043	FUSES (3) 25AMP (6) 60AMP
FP-044	FUSES (3) 20AMP (6) 60AMP
FP-045	FUSES (3) 20AMP (6) 50AMP
FP-046	FUSES (3) 25AMP (6) 45AMP
FP-047	FUSES (3) 15AMP (6) 45AMP
FP-048	FUSES (4) 15AMP (4) 45AMP
FP-049	FUSES (4) 15AMP (4) 40AMP
FP-050	FUSES (3) 15AMP (3) 60AMP
FP-051	FUSES (4) 20AMP (6) 50AMP
FP-052	FUSES (4) 15AMP (6) 45AMP
FP-053	FUSES (4) 15AMP (6) 30AMP

Package Part Number	Description
FP-054	FUSES (3) 15AMP (6) 35AMP
FP-055	FUSES (2) 15AMP (2) 45AMP
FP-056	FUSES (2) 15AMP (2) 40AMP
FP-057	FUSES (2) 20AMP (3) 50AMP
FP-058	FUSES (2) 15AMP (3) 45AMP
FP-059	FUSES (2) 15AMP (3) 30AMP
FP-060	FUSES (2) 15AMP (2) 35AMP
FP-061	FUSES (2) 15AMP (2) 50AMP
FP-062	FUSES (2) 15AMP (2) 60AMP
FP-063	FUSES (2) 15AMP (3) 25AMP
FP-064	FUSES (2) 15AMP (3) 35AMP
FP-065	FUSES (2) 15AMP (3) 40AMP
FP-066	FUSES (2) 15AMP (3) 20AMP
FP-067	FUSES (4) 15AMP (4) 35AMP
FP-068	FUSES (4) 15AMP (4) 50AMP
FP-069	FUSES (4) 15AMP (4) 60AMP
FP-070	FUSES (4) 15AMP (6) 25AMP
FP-071	FUSES (4) 15AMP (6) 35AMP
FP-072	FUSES (4) 15AMP (6) 40AMP
FP-073	FUSES (4) 15AMP (6) 20AMP
FP-074	FUSES (3) 20AMP (3) 60AMP
FP-075	FUSES (3) 20AMP (6) 35AMP
FP-076	FUSES (3) 25AMP (6) 50AMP
FP-077	FUSES (3) 35AMP (9) 45AMP
FP-078	FUSES (3) 15AMP (3) 35AMP
FP-079	FUSES (3) 15AMP (3) 45AMP
FP-080	FUSES (3) 15AMP (3) 50AMP
FP-081	FUSES (3) 20AMP (6) 40AMP
FP-082	FUSES (3) 15AMP (3) 40AMP
FP-083	FUSES (3) 15AMP (6) 40AMP
FP-084	FUSES (6) 15AMP (6) 60AMP
FP-085	FUSES (6) 15AMP (12) 35AMP
FP-086	FUSES (3) 35AMP (3) 45AMP (6) 60AMP
FP-087	FUSES (4) 20AMP (4) 40AMP (4) 50AMP
FP-088	FUSES (4) 15AMP (4) 35AMP (4) 40AMP
FP-089	FUSES (2) 20AMP (2) 40AMP (2) 50AMP
FP-090	FUSES (2) 15AMP (2) 35AMP (2) 40AMP
FP-091	FUSES (2) 20AMP (2) 35AMP (2) 40AMP
FP-092	FUSES (2) 25AMP (2) 40AMP (2) 50AMP
FP-093	FUSES (4) 20AMP (4) 35AMP (4) 40AMP
FP-094	FUSES (6) 15AMP (6) 25AMP
FP-095	FUSES (3) 15AMP (3) 25AMP
FP-096	FUSES (3) 15AMP (3) 30AMP
FP-097	FUSES (4) 15AMP (4) 30AMP
FP-098	FUSES (4) 15AMP (4) 25AMP
FP-099	FUSES (4) 15AMP (4) 20AMP
FP-100	FUSES (2) 15AMP (2) 20AMP
FP-101	FUSES (2) 15AMP (2) 25AMP
FP-102	FUSES (2) 15AMP (2) 30AMP
FP-103	FUSES (4) 25AMP (4) 40AMP (4) 50AMP

NOTE: FUSES 30AMP and Below - Class CC Type, FUSES 35AMP and Above - Class J Type

The installation and start-up of evaporators should only be performed by qualified refrigeration mechanics. This equipment should be installed in accordance with all applicable codes, ordinances and local by-laws

INSPECTION Inspect all equipment before unpacking for visible signs of damage or loss. Check shipping list against material received to ensure shipment is complete.

IMPORTANT: Remember, you, the consignee, must make any claim necessary against the transportation company. Shipping damage or missing parts, when discovered at the outset, will prevent later unnecessary and costly delays.

If damage or loss during transport is evident, make claim to carrier, as this will be their responsibility, not the manufacturer's.

Should carton be damaged, but damage to equipment is not obvious, a claim should be filed for "concealed damage" with the carrier.

IMPORTANT: The electrical characteristics of the unit should be checked at this time to make sure they correspond to those ordered and to electrical power available at the job site. Save all shipping papers, tags and instruction sheets for reference by installer and owner.

LOCATION The unit location in the room should be selected to ensure uniform air distribution throughout the entire space to be refrigerated. Be sure that the unit does not draw air in, or blow directly out, through an opened door and that the product does not obstruct the free circulation of air. Consideration should be given to the coil location in order to minimize the piping run length to the condensing unit and floor drain

CLEARANCES This evaporator draws air through the coil and discharges air from the fan side, and thus adequate clearance should be made on the entering face of the coil to ensure even unrestricted air flow through the coil. This distance should be equal to the height of the coil or more. Ensure enough room is left at the ends of the coil for servicing.

MOUNTING This evaporator is supplied with shipping legs to allow units to be shipped in an upright position. Units can be lifted into place with shipping skid attached to mounting legs. Hanger brackets take up to 5/8" (15.9 mm) hanger rods. After the evaporator is hung in place, remove the bolts attaching the skid to the legs.

DRAIN LINE If the evaporator is mounted flush to ceiling, the staggered hanger will provide a positive pitch for drainage. If units are suspended below the ceiling, the installer must provide adequate pitch to the unit by adjusting the location of the hanger rod nuts.

Note: Check for adequate drainage by pouring water into the drain pan.

Ensure that the drain pan has sufficient slope for proper drainage (prevention of ice build up / blockage in pan).

Insulated copper tube should be run from the drain connection, sloping at least 4" (102mm) per foot. A trap located outside of the room should be provided to prevent warm air entering through the tubing. Connection should be made to proper drainage facilities that comply with local regulations.

If room temperatures are below freezing, it is necessary to heat the drain line to prevent condensate from freezing in the drain line. Electric heating cable or electric tape (by others) is used for this purpose. The drain line heater should be connected for continuous operation; it is also recommended that the drain line be insulated. A heat output of 20 watts per lineal foot of 1" (25mm) drain line in a 0°F (-18°C) room is usually satisfactory. 115 volt cable and tape is available from your local refrigeration wholesaler. Two 115 volts heaters (by others) of the same wattage may be wired in series for use on 230 volt system.

PIPING Refrigerant line sizes are important and may not be the same size as the coil connections (depends on the length of run). If in doubt, consult "Recommended refrigerant line sizes" charts.

WIRING Wire system in accordance with governing standards and local codes. Enclosed typical wiring diagrams are for reference only. Refer to unit data plate for operating current, minimum ampacity and maximum fuse sizing for fan motors. **NOTE:** Electrical wiring is to be sized in accordance with minimum ampacity rating.

For ease of identifying the proper wiring terminals, unit wiring is colour coded and terminal block connections are identified. When **fan delay thermostats** (combination fan delay and defrost termination) are installed, on start-up, the fans do not operate until the coil temperature is reduced to approximately 20°F (-6.7°C). It is normal for the fans to cycle a few times until the room temperature is brought down. At higher evaporating temperatures this control is of an adjustable type, and proper adjustment is required.

The **defrost termination control** is adjustable and may be set at a minimum of 40 °F (4.4 °C) (fully CW) to a maximum of 75°F (23.8°C) (fully CCW). Normal setting is 55°F (12.8°C). This can be increased if the defrost heaters are terminated too soon (frost still left) or if terminated too long (steaming of coil). Time clock should be set for a fail-safe termination of approximately 45 minutes.

A hinged end panel provides quick access to the electrical compartment.

SYSTEM CHECK

Before Start-Up:

1. All wiring should be in accordance with local codes.
2. All refrigerant lines should be properly sized.
3. Electric defrost systems should include a liquid line solenoid valve.
4. Thorough evacuation and dehydration has been performed.
5. The suction, discharge and receiver service valves must be open.
6. The system should include a liquid line drier moisture indicator and suction filter.
7. Pour enough water into the drain pan to allow a good check on drainage and seal the trap.

After Start-Up:

1. If necessary, temporarily by-pass fan delay control to run fans until room temp is lowered. (Run jumper wire from terminal N to F on circuit terminal block).
2. Check the compressor oil level to ensure the correct oil charge.
3. Be sure that the expansion valve is properly set to provide the correct amount of superheat (should be around 70% of operating T.D.)
4. Heavy moisture loads are usually encountered when starting the system for the first time. If the coil temperature is below freezing, this will cause a rapid build-up of frost on the coil. During the initial pull down, frost build-up should be watched and defrosted manually as required.
5. Check for proper evaporator fan blade rotation.

MAINTENANCE

1. Periodic checking and cleaning of the coil surface when necessary should be done, using a whisk or brush. Drain pans are hinged to provide convenient access to the inside coil surface (except hot gas loop pans).
2. Ensure coil and pan does not have any excessive ice build-up from improper defrost operation. Any build-up of ice can cause fins and refrigerant tubes to be crushed. When replacing heater elements, first remove heater slot covers and heater clips
3. Motors are permanently lubricated type and require no further lubrication.

**CAPACITY DATA
HIGH VELOCITY 6 F.P.I. MODELS**

Medium Temperature - 6 F.P.I. with 3 HP Motor @ 0" External Static Pressure

Medium Temp. Models THP		068ME	081ME	092ME	108ME	123ME	135ME	162ME	181ME	221ME	243ME	271ME	
Capacity BTUH (WATTS)	Evap Temp. 10°F (-12°C)	R407A	75050	92150	106400	115900	138700	155800	172900	194750	238450	263150	291650
		R448A	(21982)	(26991)	(31165)	(33947)	(40625)	(45634)	(50643)	(57043)	(69842)	(77077)	(85425)
		R407C	71100	87300	100800	109800	131400	147600	163800	184500	225900	249300	276300
		R404A	(20825)	(25570)	(29524)	(32161)	(38487)	(43232)	(47977)	(54040)	(66166)	(73020)	(80929)
		R507	79000	97000	112000	122000	146000	164000	182000	205000	251000	277000	307000
		R22	(23139)	(28411)	(32805)	(35734)	(42764)	(48036)	(53308)	(60045)	(73518)	(81134)	(89921)
		R134a	75050	92150	106400	115900	138700	155800	172900	194750	238450	263150	291650
			(21982)	(26991)	(31165)	(33947)	(40625)	(45634)	(50643)	(57043)	(69842)	(77077)	(85425)
			71100	87300	100800	109800	131400	147600	163800	184500	225900	249300	276300
			(20825)	(25570)	(29524)	(32161)	(38487)	(43232)	(47977)	(54040)	(66166)	(73020)	(80929)
Air Flow	CFM (L/S)	23800 (11232)	22800 (10760)	21700 (10241)	20800 (9816)	34200 (16141)	32600 (15385)	31200 (14725)	32900 (15527)	45500 (21474)	43800 (20671)	40900 (19303)	
Refrigerant ** Charge R407A	LB. (KG)	22 (10)	30 (14)	36 (16)	44 (20)	44 (20)	55 (25)	66 (30)	97 (44)	108 (49)	130 (59)	173 (78)	

Low Temperature - 6 F.P.I. with 3 HP Motor @ 0" External Static Pressure

Low Temp. Models THP		065LE	078LE	089LE	094LE	118LE	134LE	143LE	161LE	175LE	198LE	216LE	228LE	
Capacity BTUH (WATTS)	Evap Temp. -20°F (-29°C)	R407A	64600	81700	89300	99750	118750	139650	155800	171000	173850	203300	228000	240350
		R407C	(18921)	(23930)	(26156)	(29217)	(34782)	(40904)	(45634)	(50086)	(50921)	(59547)	(66782)	(70399)
		R404A	61200	77400	84600	94500	112500	132300	147600	162000	164700	192600	216000	227700
		R507	(17926)	(22671)	(24779)	(27679)	(32951)	(38751)	(43232)	(47450)	(48241)	(56413)	(63267)	(66694)
		R22	68000	86000	94000	105000	125000	147000	164000	180000	183000	214000	240000	253000
		R134a	(19917)	(25190)	(27533)	(30755)	(36613)	(43056)	(48036)	(52722)	(53601)	(62681)	(70296)	(74104)
		R407A	64600	81700	89300	99750	118750	139650	155800	171000	173850	203300	228000	240350
			(18921)	(23930)	(26156)	(29217)	(34782)	(40904)	(45634)	(50086)	(50921)	(59547)	(66782)	(70399)
			61200	77400	84600	94500	112500	132300	147600	162000	164700	192600	216000	227700
			(17926)	(22671)	(24779)	(27679)	(32951)	(38751)	(43232)	(47450)	(48241)	(56413)	(63267)	(66694)
Air Flow	CFM (L/S)	23800 (11232)	22800 (10760)	21700 (10241)	20800 (9816)	34200 (16141)	32600 (15385)	31200 (14725)	32900 (15527)	47200 (22276)	45500 (21474)	43800 (20671)	40900 (19303)	
Refrigerant ** Charge R407A	LB. (KG)	22 (10)	30 (14)	36 (16)	44 (20)	44 (20)	55 (25)	66 (30)	97 (44)	92 (42)	108 (49)	130 (59)	173 (78)	

Capacities rated using 10°F (5.6°C) TD & 100°F (38°C) liquid temperature.

Capacities at other TD within a range of 8 to 15 °F (4.4 to 8.3°C) are directly proportional to TD, or use formula: Capacity = Rated capacity ÷ 10 x TD.

For capacities at TD outside of range 8 to 15 °F (4.4 to 8.3°C), or liquid temperature lower than 75°F (24°), consult factory.

Capacities for R448A, R407A and R407C are based on mean temperature. Mean temperature is the average temperature between the saturated suction temperature and the temperature feeding the evaporator. For dew point ratings, consult factory.

Derate capacity by 0.92 and CFM by .85 for Throw Booster Option.

For R449A, use R448A data.

*** CAPACITY CORRECTION FACTORS FOR LOW TEMPERATURE UNITS**

SATURATED SUCTION TEMPERATURE °F (°C)	0 (-17.8)	-10 (23.3)	-20 (-28.9)	-30 (-34.4)	-40 (-40)
FACTOR	1.06	1.03	1.0	0.92	0.85

NO CORRECTION FACTOR REQUIRED FOR MEDIUM TEMP. UNITS

**** REFRIGERANT CHARGE CONVERSION FACTORS**

R448A	R407C	R404A	R507	R22	R134a
0.96	0.99	0.92	0.93	1.02	1.03

Average Air Throw - ft (m)†

STANDARD FAN AND MOTOR	OPTIONAL THROW BOOSTER
110 (33)	150 (46)

† Measured in open space. Actual throw may be less in real applications.

**CAPACITY DATA
HIGH VELOCITY 4 F.P.I. MODELS (cont'd)**

Medium Temperature - 4 F.P.I. with 3 HP Motor @ 0" External Static Pressure

Med. Temp. 4 FPI Models THP		059PE	072PE	083PE	091PE	109PE	122PE	137PE	150PE	164PE	200PE	222PE	256PE	
Capacity BTUH (WATTS)	Evap Temp. 10°F (-12°C)	R407A	63650	78850	89300	101650	118750	139650	152950	156750	177650	207100	233700	273600
		R448A	(18643)	(23095)	(26156)	(29773)	(34782)	(40904)	(44799)	(45912)	(52034)	(60660)	(68451)	(80138)
		R407C	60300	74700	84600	96300	112500	132300	144900	148500	168300	196200	221400	259200
		R404A	67000	83000	94000	107000	125000	147000	161000	165000	187000	218000	246000	288000
		R507	(19624)	(24311)	(27533)	(31340)	(36613)	(43056)	(47157)	(48329)	(54773)	(63852)	(72054)	(84356)
		R22	63650	78850	89300	101650	118750	139650	152950	156750	177650	207100	233700	273600
		(18643)	(23095)	(26156)	(29773)	(34782)	(40904)	(44799)	(45912)	(52034)	(60660)	(68451)	(80138)	
		R134a	60300	74700	84600	96300	112500	132300	144900	148500	168300	196200	221400	259200
			(17662)	(21880)	(24779)	(28206)	(32951)	(38751)	(42441)	(43496)	(49295)	(57467)	(64848)	(75920)
Air Flow	CFM (L/S)	24400 (11516)	23600 (11138)	22800 (10760)	21900 (10336)	35400 (16707)	34100 (16093)	32900 (15527)	35400 (16707)	34300 (16188)	47200 (22276)	45800 (21615)	43200 (20388)	
Refrigerant ** Charge R407A	LB. (KG)	22 (10)	30 (14)	36 (16)	44 (20)	44 (20)	55 (25)	62 (28)	81 (37)	97 (44)	108 (49)	130 (59)	173 (78)	

Low Temperature - 4 F.P.I. with 3 HP Motor @ 0" External Static Pressure

Low Temp. 4 FPI Models THP		055VE	066VE	076VE	087VE	100VE	114VE	127VE	145VE	172VE	187VE	217VE	
Capacity BTUH (WATTS)	Evap Temp. -20°F (-29°C)	R407A	56050	67450	80750	91200	105450	124450	130150	153900	183350	205200	229900
		R407C	53100	63900	76500	86400	99900	117900	123300	145800	173700	194400	217800
		R404A	59000	71000	85000	96000	111000	131000	137000	162000	193000	216000	242000
		R507	(17281)	(20796)	(24897)	(28119)	(32512)	(38370)	(40127)	(47450)	(56530)	(63267)	(70882)
		R22	56050	67450	80750	91200	105450	124450	130150	153900	183350	205200	229900
			(16417)	(19756)	(23652)	(26713)	(30886)	(36452)	(38121)	(45078)	(53703)	(60103)	(67338)
		R134a	53100	63900	76500	86400	99900	117900	123300	145800	173700	194400	217800
			(15553)	(18716)	(22407)	(25307)	(29261)	(34533)	(36115)	(42705)	(50877)	(56940)	(63794)
Air Flow	CFM (L/S)	24400 (11516)	23600 (11138)	22800 (10760)	21900 (10336)	35400 (16707)	34100 (16093)	32900 (15527)	34300 (16188)	47200 (22276)	45800 (21615)	43200 (20388)	
Refrigerant ** Charge R407A	LB. (KG)	23 (10)	32 (15)	40 (18)	47 (21)	47 (21)	59 (27)	70 (32)	105 (48)	116 (53)	139 (63)	173 (78)	

Capacities rated using 10°F (5.6°C) TD & 100°F (38°C) liquid temperature.

Capacities at other TD within a range of 8 to 15 °F (4.4 to 8.3°C) are directly proportional to TD, or use formula: Capacity = Rated capacity ÷ 10 x TD.

For capacities at TD outside of range 8 to 15 °F (4.4 to 8.3°C), or liquid temperature lower than 75°F (24°), consult factory.

Capacities for R448A, R407A and R407C are based on mean temperature. Mean temperature is the average temperature between the saturated suction temperature and the temperature feeding the evaporator. For dew point ratings, consult factory.

Derate capacity by 0.92 and CFM by .85 for Throw Booster Option.

For R449A, use R448A data.

*** CAPACITY CORRECTION FACTORS FOR LOW TEMPERATURE UNITS**

SATURATED SUCTION TEMPERATURE °F (°C)	0 (-17.8)	-10 (23.3)	-20 (-28.9)	-30 (-34.4)	-40 (-40)
FACTOR	1.06	1.03	1.0	0.92	0.85

**** REFRIGERANT CHARGE CONVERSION FACTORS**

R448A	R407C	R404A	R507	R22	R134a
0.96	0.99	0.92	0.93	1.02	1.03

NO CORRECTION FACTOR REQUIRED FOR MEDIUM TEMP. UNITS

Average Air Throw - ft (m)†

STANDARD FAN AND MOTOR	OPTIONAL THROW BOOSTER
110 (33)	150 (46)

† Measured in open space. Actual throw may be less in real applications.

CAPACITY DATA HIGH VELOCITY 6 F.P.I. MODELS

Medium Temperature - 6 F.P.I. with 3 HP Motor @ .25" External Static Pressure

Medium Temp. Models THP		068ME	081ME	092ME	108ME	123ME	135ME	162ME	181ME	221ME	243ME	271ME	
Capacity BTUH (WATTS)	Evap Temp. 10°F (-12°C)	R407A	72200	88350	101650	111150	133950	150100	165300	186200	228000	250800	276450
		R448A	(21147)	(25878)	(29773)	(32556)	(39234)	(43964)	(48417)	(54538)	(66782)	(73460)	(80973)
		R407C	68400	83700	96300	105300	126900	142200	156600	176400	216000	237600	261900
		R404A	(20034)	(24516)	(28206)	(30843)	(37169)	(41651)	(45868)	(51668)	(63267)	(69593)	(76711)
		R507	76000	93000	107000	117000	141000	158000	174000	196000	240000	264000	291000
		(22261)	(27240)	(31340)	(34269)	(41299)	(46278)	(50965)	(57409)	(70296)	(77326)	(85234)	
		R22	72200	88350	101650	111150	133950	150100	165300	186200	228000	250800	276450
		(21147)	(25878)	(29773)	(32556)	(39234)	(43964)	(48417)	(54538)	(66782)	(73460)	(80973)	
		R134a	68400	83700	96300	105300	126900	142200	156600	176400	216000	237600	261900
		(20034)	(24516)	(28206)	(30843)	(37169)	(41651)	(45868)	(51668)	(63267)	(69593)	(76711)	
Air Flow	CFM (L/S)	22300 (10524)	21200 (10005)	20100 (9486)	19200 (9061)	31700 (14961)	30100 (14206)	28700 (13545)	30200 (14253)	41900 (19775)	40300 (19019)	37500 (17698)	
Refrigerant ** Charge R407A	LB. (KG)	22 (10)	30 (14)	36 (16)	44 (20)	44 (20)	55 (25)	66 (30)	97 (44)	108 (49)	130 (59)	173 (78)	

Low Temperature - 6 F.P.I. with 3 HP Motor @ .25" External Static Pressure

Low Temp. Models THP		065LE	078LE	089LE	094LE	118LE	134LE	143LE	161LE	175LE	198LE	216LE	228LE	
Capacity BTUH (WATTS)	Evap Temp. -20°F (-29°C)	R407A	62700	78850	86450	96900	114950	133950	149150	163400	168150	195700	218500	230850
		(18365)	(23095)	(25321)	(28382)	(33669)	(39234)	(43686)	(47860)	(49251)	(57321)	(63999)	(67616)	
		R407C	59400	74700	81900	91800	108900	126900	141300	154800	159300	185400	207000	218700
		(17398)	(21880)	(23989)	(26888)	(31897)	(37169)	(41387)	(45341)	(46659)	(54304)	(60631)	(64058)	
		R404A	66000	83000	91000	102000	121000	141000	157000	172000	177000	206000	230000	243000
		(19331)	(24311)	(26654)	(29876)	(35441)	(41299)	(45986)	(50379)	(51844)	(60338)	(67367)	(71175)	
		R507	62700	78850	86450	96900	114950	133950	149150	163400	168150	195700	218500	230850
		(18365)	(23095)	(25321)	(28382)	(33669)	(39234)	(43686)	(47860)	(49251)	(57321)	(63999)	(67616)	
		R22	59400	74700	81900	91800	108900	126900	141300	154800	159300	185400	207000	218700
		(17398)	(21880)	(23989)	(26888)	(31897)	(37169)	(41387)	(45341)	(46659)	(54304)	(60631)	(64058)	
		R134a	66000	83000	91000	102000	121000	141000	157000	172000	177000	206000	230000	243000
		(19331)	(24311)	(26654)	(29876)	(35441)	(41299)	(45986)	(50379)	(51844)	(60338)	(67367)	(71175)	
Air Flow	CFM (L/S)	22300 (10524)	21200 (10005)	20100 (9486)	19200 (9061)	31700 (14961)	30100 (14206)	28700 (13545)	30200 (14253)	43600 (20577)	41900 (19775)	40300 (19019)	37500 (17698)	
Refrigerant ** Charge R407A	LB. (KG)	23 (10)	32 (15)	40 (18)	47 (21)	47 (21)	59 (27)	70 (32)	105 (48)	92 (42)	116 (53)	130 (59)	173 (78)	

Capacities rated using 10°F (5.6°C) TD & 100°F (38°C) liquid temperature.

Capacities at other TD within a range of 8 to 15 °F (4.4 to 8.3°C) are directly proportional to TD, or use formula: Capacity = Rated capacity ÷ 10 x TD.

For capacities at TD outside of range 8 to 15 °F (4.4 to 8.3°C), or liquid temperature lower than 75°F (24°), consult factory.

Capacities for R448A, R407A and R407C are based on mean temperature. Mean temperature is the average temperature between the saturated suction temperature and the temperature feeding the evaporator. For dew point ratings, consult factory.

Derate capacity by 0.92 and CFM by .85 for Throw Booster Option.

For R449A, use R448A data.

* CAPACITY CORRECTION FACTORS FOR LOW TEMPERATURE UNITS

SATURATED SUCTION TEMPERATURE °F (°C)	0 (-17.8)	-10 (23.3)	-20 (-28.9)	-30 (-34.4)	-40 (-40)
FACTOR	1.06	1.03	1.0	0.92	0.85

** REFRIGERANT CHARGE CONVERSION FACTORS

R448A	R407C	R404A	R507	R22	R134a
0.96	0.99	0.92	0.93	1.02	1.03

NO CORRECTION FACTOR REQUIRED FOR MEDIUM TEMP. UNITS

Average Air Throw - ft (m)†

STANDARD FAN AND MOTOR	OPTIONAL THROW BOOSTER
110 (33)	150 (46)

† Measured in open space. Actual throw may be less in real applications.

CAPACITY DATA
HIGH VELOCITY 4 F.P.I. MODELS (cont'd)

Medium Temperature - 4 F.P.I. with 3 HP Motor @ .25" External Static Pressure

Med. Temp. 4 FPI Models THP		059PE	072PE	083PE	091PE	109PE	122PE	137PE	150PE	164PE	200PE	222PE	256PE	
Capacity BTUH (WATTS)	Evap Temp. 10°F (-12°C)	R407A	61750	76950	86450	96900	114950	133950	146300	151050	168150	199500	223250	260300
		R448A	(18087)	(22539)	(25321)	(28382)	(33669)	(39234)	(42851)	(44243)	(49251)	(58434)	(65390)	(76242)
		R407C	58500	72900	81900	91800	108900	126900	138600	143100	159300	189000	211500	246600
			17135	21353	23989	26888	31897	37169	40596	41914	46659	55358	61949	72229
		R404A	65000	81000	91000	102000	121000	141000	154000	159000	177000	210000	235000	274000
		R507	(19039)	(23725)	(26654)	(29876)	(35441)	(41299)	(45107)	(46571)	(51844)	(61509)	(68832)	(80255)
	R22	61750	76950	86450	96900	114950	133950	146300	151050	168150	199500	223250	260300	
		(18087)	(22539)	(25321)	(28382)	(33669)	(39234)	(42851)	(44243)	(49251)	(58434)	(65390)	(76242)	
	R134a	58500	72900	81900	91800	108900	126900	138600	143100	159300	189000	211500	246600	
		(17135)	(21353)	(23989)	(26888)	(31897)	(37169)	(40596)	(41914)	(46659)	(55358)	(61949)	(72229)	
Air Flow	CFM (L/S)	23000 (10855)	22100 (10430)	21200 (10005)	20300 (9581)	33100 (15621)	31700 (14961)	30400 (14347)	32700 (15433)	31600 (14914)	43600 (20577)	42200 (19916)	39700 (18736)	
Refrigerant ** Charge R407A	LB. (KG)	22 (10)	30 (14)	36 (16)	44 (20)	44 (20)	55 (25)	62 (28)	81 (37)	97 (44)	108 (49)	130 (59)	173 (78)	

Low Temperature - 4 F.P.I. with 3 HP Motor @ .25" External Static Pressure

Low Temp. 4 FPI Models THP		055VE	066VE	076VE	087VE	100VE	114VE	127VE	145VE	172VE	187VE	217VE	
Capacity BTUH (WATTS)	Evap Temp. -20°F (-29°C)	R407A	55100	66500	77900	88350	102600	119700	127300	147250	175750	196650	219450
		R448A	(16139)	(19478)	(22817)	(25878)	(30052)	(35060)	(37286)	(43130)	(51477)	(57599)	(64277)
		R407C	52200	63000	73800	83700	97200	113400	120600	139500	166500	186300	207900
			(15289)	(18453)	(21616)	(24516)	(28470)	(33215)	(35324)	(40860)	(48768)	(54568)	(60894)
		R404A	58000	70000	82000	93000	108000	126000	134000	155000	185000	207000	231000
		R507	(16988)	(20503)	(24018)	(27240)	(31633)	(36906)	(39249)	(45400)	(54187)	(60631)	(67660)
	R22	55100	66500	77900	88350	102600	119700	127300	147250	175750	196650	219450	
		(16139)	(19478)	(22817)	(25878)	(30052)	(35060)	(37286)	(43130)	(51477)	(57599)	(64277)	
	R134a	52200	63000	73800	83700	97200	113400	120600	139500	166500	186300	207900	
		(15289)	(18453)	(21616)	(24516)	(28470)	(33215)	(35324)	(40860)	(48768)	(54568)	(60894)	
Air Flow	CFM (L/S)	23000 (10855)	22100 (10430)	21200 (10005)	20300 (9581)	33100 (15621)	31700 (14961)	30400 (14347)	31600 (14914)	43600 (20577)	42200 (19916)	39700 (18736)	
Refrigerant ** Charge R407A	LB. (KG)	23 (10)	32 (15)	40 (18)	47 (21)	47 (21)	59 (27)	70 (32)	105 (48)	116 (53)	139 (63)	173 (78)	

Capacities rated using 10°F (5.6°C) TD & 100°F (38°C) liquid temperature.

Capacities at other TD within a range of 8 to 15 °F (4.4 to 8.3°C) are directly proportional to TD, or use formula: Capacity = Rated capacity ÷ 10 x TD.

For capacities at TD outside of range 8 to 15 °F (4.4 to 8.3°C), or liquid temperature lower than 75°F (24°), consult factory.

Capacities for R448A, R407A and R407C are based on mean temperature. Mean temperature is the average temperature between the saturated suction temperature and the temperature feeding the evaporator. For dew point ratings, consult factory.

Derate capacity by 0.92 and CFM by .85 for Throw Booster Option.

For R449A, use R448A data.

*** CAPACITY CORRECTION FACTORS FOR LOW TEMPERATURE UNITS**

SATURATED SUCTION TEMPERATURE °F (°C)	0 (-17.8)	-10 (23.3)	-20 (-28.9)	-30 (-34.4)	-40 (-40)
FACTOR	1.06	1.03	1.0	0.92	0.85

**** REFRIGERANT CHARGE CONVERSION FACTORS**

R448A	R407C	R404A	R507	R22	R134a
0.96	0.99	0.92	0.93	1.02	1.03

NO CORRECTION FACTOR REQUIRED FOR MEDIUM TEMP. UNITS

Average Air Throw - ft (m)†

STANDARD FAN AND MOTOR	OPTIONAL THROW BOOSTER
110 (33)	150 (46)

† Measured in open space. Actual throw may be less in real applications.

CAPACITY DATA HIGH VELOCITY 6 F.P.I. MODELS

Medium Temperature - 6 F.P.I. with 3 HP Motor @ .50" External Static Pressure

Medium Temp. Models THP		068ME	081ME	092ME	108ME	123ME	135ME	162ME	181ME	221ME	243ME	271ME	
Capacity BTUH (WATTS)	Evap Temp. 10°F (-12°C)	R407A	69350	84550	95950	105450	127300	142500	157700	174800	215650	235600	258400
		R448A	(20313)	(24765)	(28104)	(30886)	(37286)	(41738)	(46191)	(51199)	(63164)	(69008)	(75686)
		R407C	65700	80100	90900	99900	120600	135000	149400	165600	204300	223200	244800
		R404A	73000	89000	101000	111000	134000	150000	166000	184000	227000	248000	272000
		R507	(21382)	(26068)	(29583)	(32512)	(39249)	(43935)	(48622)	(53894)	(66489)	(72640)	(79669)
		R22	69350	84550	95950	105450	127300	142500	157700	174800	215650	235600	258400
		(20313)	(24765)	(28104)	(30886)	(37286)	(41738)	(46191)	(51199)	(63164)	(69008)	(75686)	
		R134a	65700	80100	90900	99900	120600	135000	149400	165600	204300	223200	244800
			(19244)	(23461)	(26625)	(29261)	(35324)	(39542)	(43759)	(48504)	(59840)	(65376)	(71702)
Air Flow	CFM (L/S)	20400 (9628)	19200 (9061)	18300 (8637)	17500 (8259)	28900 (13639)	27500 (12979)	26300 (12412)	27300 (12884)	37800 (17840)	36300 (17132)	33700 (15905)	
Refrigerant ** Charge	LB. (KG)	22 (10)	30 (14)	36 (16)	44 (20)	44 (20)	55 (25)	66 (30)	97 (44)	108 (49)	130 (59)	173 (78)	

Low Temperature - 6 F.P.I. with 3 HP Motor @ .50" External Static Pressure

Low Temp. Models THP		065LE	078LE	089LE	094LE	118LE	134LE	143LE	161LE	175LE	198LE	216LE	228LE	
Capacity BTUH (WATTS)	Evap Temp. -20°F (-29°C)	R407A	61750	75050	82650	92150	111150	128250	142500	153900	161500	186200	206150	218500
		R448A	(18087)	(21982)	(24208)	(26991)	(32556)	(37565)	(41738)	(45078)	(47304)	(54538)	(60382)	(63999)
		R407C	58500	71100	78300	87300	105300	121500	135000	145800	153000	176400	195300	207000
		R404A	65000	79000	87000	97000	117000	135000	150000	162000	170000	196000	217000	230000
		R507	(19039)	(23139)	(25482)	(28411)	(34269)	(39542)	(43935)	(47450)	(49793)	(57409)	(63560)	(67367)
		R22	61750	75050	82650	92150	111150	128250	142500	153900	161500	186200	206150	218500
		(18087)	(21982)	(24208)	(26991)	(32556)	(37565)	(41738)	(45078)	(47304)	(54538)	(60382)	(63999)	
		R134a	58500	71100	78300	87300	105300	121500	135000	145800	153000	176400	195300	207000
			(17135)	(20825)	(22934)	(25570)	(30843)	(35588)	(39542)	(42705)	(44814)	(51668)	(57204)	(60631)
Air Flow	CFM (L/S)	20400 (9628)	19200 (9061)	18300 (8637)	17500 (8259)	28900 (13639)	27500 (12979)	26300 (12412)	27300 (12884)	39500 (18642)	37800 (17840)	36300 (17132)	33700 (15905)	
Refrigerant ** Charge	LB. (KG)	23 (10)	32 (15)	40 (18)	47 (21)	47 (21)	59 (27)	70 (32)	105 (48)	92 (42)	116 (53)	130 (59)	173 (78)	

Capacities rated using 10°F (5.6°C) TD & 100°F (38°C) liquid temperature.

Capacities at other TD within a range of 8 to 15 °F (4.4 to 8.3°C) are directly proportional to TD, or use formula: Capacity = Rated capacity ÷ 10 x TD.

For capacities at TD outside of range 8 to 15 °F (4.4 to 8.3°C), or liquid temperature lower than 75°F (24°), consult factory.

Capacities for R448A, R407A and R407C are based on mean temperature. Mean temperature is the average temperature between the saturated suction temperature and the temperature feeding the evaporator. For dew point ratings, consult factory.

Derate capacity by 0.92 and CFM by .85 for Throw Booster Option.

For R449A, use R448A data.

*** CAPACITY CORRECTION FACTORS FOR LOW TEMPERATURE UNITS**

SATURATED SUCTION TEMPERATURE °F (°C)	0 (-17.8)	-10 (23.3)	-20 (-28.9)	-30 (-34.4)	-40 (-40)
FACTOR	1.06	1.03	1.0	0.92	0.85

**** REFRIGERANT CHARGE CONVERSION FACTORS**

R448A	R407C	R404A	R507	R22	R134a
0.96	0.99	0.92	0.93	1.02	1.03

NO CORRECTION FACTOR REQUIRED FOR MEDIUM TEMP. UNITS

Average Air Throw - ft (m)†

STANDARD FAN AND MOTOR	OPTIONAL THROW BOOSTER
110 (33)	150 (46)

† Measured in open space. Actual throw may be less in real applications.

**CAPACITY DATA
HIGH VELOCITY 4 F.P.I. MODELS (cont'd)**

Medium Temperature - 4 F.P.I. with 3 HP Motor @ .50" External Static Pressure

Med. Temp. 4 FPI Models THP		059PE	072PE	083PE	091PE	109PE	122PE	137PE	150PE	164PE	200PE	222PE	256PE	
Capacity BTUH (WATTS)	Evap Temp. 10°F (-12°C)	R407A	58900 (17252)	73150 (21426)	82650 (24208)	92150 (26991)	110200 (32278)	127300 (37286)	139650 (40904)	142500 (41738)	158650 (46469)	189050 (55373)	210900 (61773)	243200 (71234)
		R407C	55800 (16344)	69300 (20298)	78300 (22934)	87300 (25570)	104400 (30579)	120600 (35324)	132300 (38751)	135000 (39542)	150300 (44023)	179100 (52459)	199800 (58522)	230400 (67484)
		R404A	62000	77000	87000	97000	116000	134000	147000	150000	167000	199000	222000	256000
		R507	(18160)	(22553)	(25482)	(28411)	(33977)	(39249)	(43056)	(43935)	(48915)	(58287)	(65024)	(74983)
		R22	58900 (17252)	73150 (21426)	82650 (24208)	92150 (26991)	110200 (32278)	127300 (37286)	139650 (40904)	142500 (41738)	158650 (46469)	189050 (55373)	210900 (61773)	243200 (71234)
	R134a	55800 (16344)	69300 (20298)	78300 (22934)	87300 (25570)	104400 (30579)	120600 (35324)	132300 (38751)	135000 (39542)	150300 (44023)	179100 (52459)	199800 (58522)	230400 (67484)	
Air Flow	CFM (L/S)	21200 (10005)	20100 (9486)	19200 (9061)	18500 (8731)	30200 (14253)	28900 (13639)	27700 (13073)	29600 (13970)	28600 (13498)	39500 (18642)	38100 (17981)	35700 (16849)	
Refrigerant ** Charge R407A	LB. (KG)	22 (10)	30 (14)	36 (16)	44 (20)	44 (20)	55 (25)	62 (28)	81 (37)	97 (44)	108 (49)	130 (59)	173 (78)	

Low Temperature - 4 F.P.I. with 3 HP Motor @ .50" External Static Pressure

Low Temp. 4 FPI Models THP		055VE	066VE	076VE	087VE	100VE	114VE	127VE	145VE	172VE	187VE	217VE	
Capacity BTUH (WATTS)	Evap Temp. -20°F (-29°C)	R407A	52250 (15304)	63650 (18643)	75050 (21982)	83600 (24487)	97850 (28660)	113050 (33112)	121600 (35617)	139650 (40904)	166250 (48695)	186200 (54538)	207100 (60660)
		R407C	49500 (14499)	60300 (17662)	71100 (20825)	79200 (23198)	92700 (27152)	107100 (31370)	115200 (33742)	132300 (38751)	157500 (46132)	176400 (51668)	196200 (57467)
		R404A	55000	67000	79000	88000	103000	119000	128000	147000	175000	196000	218000
		R507	(16110)	(19624)	(23139)	(25775)	(30169)	(34855)	(37491)	(43056)	(51258)	(57409)	(63852)
		R22	52250 (15304)	63650 (18643)	75050 (21982)	83600 (24487)	97850 (28660)	113050 (33112)	121600 (35617)	139650 (40904)	166250 (48695)	186200 (54538)	207100 (60660)
	R134a	49500 (14499)	60300 (17662)	71100 (20825)	79200 (23198)	92700 (27152)	107100 (31370)	115200 (33742)	132300 (38751)	157500 (46132)	176400 (51668)	196200 (57467)	
Air Flow	CFM (L/S)	21200 (10005)	20100 (9486)	19200 (9061)	18500 (8731)	30200 (14253)	28900 (13639)	27700 (13073)	29600 (13970)	39500 (18642)	38100 (17981)	35700 (16849)	
Refrigerant ** Charge R407A	LB. (KG)	23 (10)	32 (15)	40 (18)	47 (21)	47 (21)	59 (27)	70 (32)	105 (48)	116 (53)	139 (63)	173 (78)	

Capacities rated using 10°F (5.6°C) TD & 100°F (38°C) liquid temperature.

Capacities at other TD within a range of 8 to 15 °F (4.4 to 8.3°C) are directly proportional to TD, or use formula: Capacity = Rated capacity ÷ 10 x TD.

For capacities at TD outside of range 8 to 15 °F (4.4 to 8.3°C), or liquid temperature lower than 75°F (24°), consult factory.

Capacities for R448A, R407A and R407C are based on mean temperature. Mean temperature is the average temperature between the saturated suction temperature and the temperature feeding the evaporator. For dew point ratings, consult factory.

Derate capacity by 0.92 and CFM by .85 for Throw Booster Option.

For R449A, use R448A data.

*** CAPACITY CORRECTION FACTORS FOR LOW TEMPERATURE UNITS**

SATURATED SUCTION TEMPERATURE °F (°C)	0 (-17.8)	-10 (23.3)	-20 (-28.9)	-30 (-34.4)	-40 (-40)
FACTOR	1.06	1.03	1.0	0.92	0.85

**** REFRIGERANT CHARGE CONVERSION FACTORS**

R407C	R404A	R507	R22	R134a
0.99	0.92	0.93	1.02	1.03

NO CORRECTION FACTOR REQUIRED FOR MEDIUM TEMP. UNITS

Average Air Throw - ft (m)†

STANDARD FAN AND MOTOR	OPTIONAL THROW BOOSTER
110 (33)	150 (46)

† Measured in open space. Actual throw may be less in real applications.

**ELECTRICAL DATA
HIGH VELOCITY MODELS - 208-230/3/60**

MODEL THP	FPI	FAN MOTORS						DEFROST HEATERS									
		QTY	HP	MOTOR FLA TOTAL	WATTS	MCA (A)	MAX. FUUSE (AMPS)	WATTS	CIRCUIT #1			CIRCUIT #2			CIRCUIT #3		
									AMPS	MCA (A)	MAX. FUUSE (AMPS)	AMPS	MCA (A)	MAX. FUUSE (AMPS)	AMPS	MCA (A)	MAX. FUUSE (AMPS)
068ME-T3A	6	2	3	18.4	5460	25.1	30	17150	46.1	57.7	60	-	-	-	-	-	-
081ME-T3A		2	3	18.4	5460	25.1	30	19600	27.7	34.6	35	27.7	34.6	35	-	-	-
092ME-T3A		2	3	18.4	5460	25.1	30	24500	32.4	40.5	45	32.4	40.5	45	-	-	-
108ME-T3A		2	3	18.4	5460	25.1	30	24500	32.4	40.5	45	32.4	40.5	45	-	-	-
123ME-T3A		3	3	27.6	8190	35.1	40	28000	39.5	49.4	50	39.5	49.4	50	-	-	-
135ME-T3A		3	3	27.6	8190	35.1	40	35000	46.3	57.9	60	46.3	57.9	60	-	-	-
162ME-T3A		3	3	27.6	8190	35.1	40	35000	46.3	57.9	60	46.3	57.9	60	-	-	-
181ME-T3A		3+	3	27.6	8190	35.1	40	36000	47.6	59.5	60	47.6	59.5	60	-	-	-
221ME-T3A		4	3	36.8	10920	45.1	50	47000	44.5	55.6	60	44.5	55.6	60	35.4	44.3	45
243ME-T3A		4	3	36.8	10920	45.1	50	47000	44.5	55.6	60	44.5	55.6	60	35.4	44.3	45
271ME-T3A		4	3	NA	10920	NA	NA	NA	NA	NA	NA	NA	NA	NA	NA	NA	NA
065LE-T3A		2	3	18.4	5460	25.1	30	17150	46.1	57.7	60	-	-	-	-	-	-
078LE-T3A		2	3	18.4	5460	25.1	30	19600	27.7	34.6	35	27.7	34.6	35	-	-	-
089LE-T3A		2	3	18.4	5460	25.1	30	24500	32.4	40.5	45	32.4	40.5	45	-	-	-
094LE-T3A		2	3	18.4	5460	25.1	30	24500	32.4	40.5	45	32.4	40.5	45	-	-	-
118LE-T3A		3	3	27.6	8190	35.1	40	28000	39.5	49.4	50	39.5	49.4	50	-	-	-
134LE-T3A		3	3	27.6	8190	35.1	40	35000	46.3	57.9	60	46.3	57.9	60	-	-	-
143LE-T3A		3	3	27.6	8190	35.1	40	35000	46.3	57.9	60	46.3	57.9	60	-	-	-
161LE-T3A		3+	3	27.6	8190	35.1	40	36000	47.6	59.5	60	47.6	59.5	60	-	-	-
175LE-T3A		4	3	36.8	10920	45.1	50	37600	35.4	44.3	45	35.4	44.3	45	35.4	44.3	45
198LE-T3A		4	3	36.8	10920	45.1	50	47000	44.5	55.6	60	44.5	55.6	60	35.4	44.3	45
216LE-T3A		4	3	36.8	10920	45.1	50	47000	44.5	55.6	60	44.5	55.6	60	35.4	44.3	45
228LE-T3A	4	3	NA	NA	NA	NA	NA	NA	NA	NA	NA	NA	NA	NA	NA	NA	
059PE-T3A	4	2	3	18.4	5460	25.1	30	17150	46.1	57.7	60	-	-	-	-	-	-
072PE-T3A		2	3	18.4	5460	25.1	30	19600	27.7	34.6	35	27.7	34.6	35	-	-	-
083PE-T3A		2	3	18.4	5460	25.1	30	24500	32.4	40.5	45	32.4	40.5	45	-	-	-
091PE-T3A		2	3	18.4	5460	25.1	30	24500	32.4	40.5	45	32.4	40.5	45	-	-	-
109PE-T3A		3	3	27.6	8190	35.1	40	28000	39.5	49.4	50	39.5	49.4	50	-	-	-
122PE-T3A		3	3	27.6	8190	35.1	40	35000	46.3	57.9	60	46.3	57.9	60	-	-	-
137PE-T3A		3	3	27.6	8190	35.1	40	35000	46.3	57.9	60	46.3	57.9	60	-	-	-
150PE-T3A		3+	3	27.6	8190	35.1	40	36000	47.6	59.5	60	47.6	59.5	60	-	-	-
164PE-T3A		3+	3	27.6	8190	35.1	40	36000	47.6	59.5	60	47.6	59.5	60	-	-	-
200PE-T3A		4	3	36.8	10920	45.1	50	47000	44.5	55.6	60	44.5	55.6	60	35.4	44.3	45
222PE-T3A		4	3	36.8	10920	45.1	50	47000	44.5	55.6	60	44.5	55.6	60	35.4	44.3	45
256PE-T3A		4	3	NA	NA	NA	NA	NA	NA	NA	NA	NA	NA	NA	NA	NA	NA
055VE-T3A		2	3	18.4	5460	25.1	30	17150	46.1	57.7	60	-	-	-	-	-	-
066VE-T3A		2	3	18.4	5460	25.1	30	19600	27.7	34.6	35	27.7	34.6	35	-	-	-
076VE-T3A		2	3	18.4	5460	25.1	30	24500	32.4	40.5	45	32.4	40.5	45	-	-	-
087VE-T3A		2	3	18.4	5460	25.1	30	24500	32.4	40.5	45	32.4	40.5	45	-	-	-
100VE-T3A		3	3	27.6	8190	35.1	40	28000	39.5	49.4	50	39.5	49.4	50	-	-	-
114VE-T3A		3	3	27.6	8190	35.1	40	35000	46.3	57.9	60	46.3	57.9	60	-	-	-
127VE-T3A		3	3	27.6	8190	35.1	40	35000	46.3	57.9	60	46.3	57.9	60	-	-	-
145VE-T3A		3+	3	27.6	8190	35.1	40	36000	47.6	59.5	60	47.6	59.5	60	-	-	-
172VE-T3A		4	3	36.8	10920	45.1	50	47000	44.5	55.6	60	44.5	55.6	60	35.4	44.3	45
187VE-T3A		4	3	36.8	10920	45.1	50	47000	44.5	55.6	60	44.5	55.6	60	35.4	44.3	45
217VE-T3A	4	3	NA	NA	NA	NA	NA	NA	NA	NA	NA	NA	NA	NA	NA	NA	

NOTE: 3+ indicates 3-fan "long" configuration (see dimensional data for details)

THPE

**ELECTRICAL DATA
HIGH VELOCITY MODELS - 460/3/60**

60Hz

MODEL THP	FPI	FAN MOTORS - 460/3/60						DEFROST HEATERS							
		FAN MOTOR QTY	HP	MOTOR FLA TOTAL	WATTS	MCA (A)	MAX. FUSE (AMPS)	WATTS	CIRCUIT #1			CIRCUIT #2			
									AMPS	MCA (A)	MAX. FUSE (AMPS)	AMPS	MCA (A)	MAX. FUSE (AMPS)	
068ME-T4A	6	2	3	8.8	5620	9.9	15	17150	23.2	29.0	30	-	-	-	
081ME-T4A		2	3	8.8	5620	9.9	15	19600	27.7	34.6	35	-	-	-	
092ME-T4A		2	3	8.8	5620	9.9	15	24500	32.4	40.5	45	-	-	-	
108ME-T4A		2	3	8.8	5620	9.9	15	24500	32.4	40.5	45	-	-	-	
123ME-T4A		3	3	13.2	8430	15.1	20	28000	39.5	49.4	50	-	-	-	
135ME-T4A		3	3	13.2	8430	15.1	20	35000	46.3	57.9	60	-	-	-	
162ME-T4A		3	3	13.2	8430	15.1	20	35000	46.3	57.9	60	-	-	-	
181ME-T4A		3+	3	13.2	8430	15.1	20	36000	47.6	59.5	60	-	-	-	
221ME-T4A		4	3	17.6	11240	20.1	25	47000	35.4	44.3	45	35.4	44.3	45	
243ME-T4A		4	3	17.6	11240	20.1	25	47000	35.4	44.3	45	35.4	44.3	45	
271ME-T4A		4	3	17.6	11240	20.1	25	56400	35.4	44.3	45	35.4	44.3	45	
065LE-T4A		6	2	3	8.8	5620	9.9	15	17150	23.2	29.0	30	-	-	-
078LE-T4A			2	3	8.8	5620	9.9	15	19600	27.7	34.6	35	-	-	-
089LE-T4A			2	3	8.8	5620	9.9	15	24500	32.4	40.5	45	-	-	-
094LE-T4A			2	3	8.8	5620	9.9	15	24500	32.4	40.5	45	-	-	-
118LE-T4A			3	3	13.2	8430	15.1	20	28000	39.5	49.4	50	-	-	-
134LE-T4A			3	3	13.2	8430	15.1	20	35000	46.3	57.9	60	-	-	-
143LE-T4A			3	3	13.2	8430	15.1	20	35000	46.3	57.9	60	-	-	-
161LE-T4A			3+	3	13.2	8430	15.1	20	36000	47.6	59.5	60	-	-	-
175LE-T4A			4	3	17.6	11240	20.1	25	37600	27.0	33.8	40	27.0	33.8	40
198LE-T4A	4		3	17.6	11240	20.1	25	47000	35.4	44.3	45	35.4	44.3	45	
216LE-T4A	4		3	17.6	11240	20.1	25	47000	35.4	44.3	45	35.4	44.3	45	
228LE-T4A	4		3	17.6	11240	20.1	25	56400	35.4	44.3	45	35.4	44.3	45	
059PE-T4A	4	2	3	8.8	5620	9.9	15	17150	23.2	29.0	30	-	-	-	
072PE-T4A		2	3	8.8	5620	9.9	15	19600	27.7	34.6	35	-	-	-	
083PE-T4A		2	3	8.8	5620	9.9	15	24500	32.4	40.5	45	-	-	-	
091PE-T4A		2	3	8.8	5620	9.9	15	24500	32.4	40.5	45	-	-	-	
109PE-T4A		3	3	13.2	8430	15.1	20	28000	39.5	49.4	50	-	-	-	
122PE-T4A		3	3	13.2	8430	15.1	20	35000	46.3	57.9	60	-	-	-	
137PE-T4A		3	3	13.2	8430	15.1	20	35000	46.3	57.9	60	-	-	-	
150PE-T4A		3+	3	13.2	8430	15.1	20	36000	47.6	59.5	60	-	-	-	
164PE-T4A		3+	3	13.2	8430	15.1	20	36000	47.6	59.5	60	-	-	-	
200PE-T4A		4	3	17.6	11240	20.1	25	47000	35.4	44.3	45	35.4	44.3	45	
222PE-T4A		4	3	17.6	11240	20.1	25	47000	35.4	44.3	45	35.4	44.3	45	
256PE-T4A		4	3	17.6	11240	20.1	25	56400	35.4	44.3	45	35.4	44.3	45	
055VE-T4A		4	2	3	8.8	5620	9.9	15	17150	23.2	29.0	30	-	-	-
066VE-T4A			2	3	8.8	5620	9.9	15	19600	27.7	34.6	35	-	-	-
076VE-T4A			2	3	8.8	5620	9.9	15	24500	32.4	40.5	45	-	-	-
087VE-T4A			2	3	8.8	5620	9.9	15	24500	32.4	40.5	45	-	-	-
100VE-T4A			3	3	13.2	8430	15.1	20	28000	39.5	49.4	50	-	-	-
114VE-T4A			3	3	13.2	8430	15.1	20	35000	46.3	57.9	60	-	-	-
127VE-T4A			3	3	13.2	8430	15.1	20	35000	46.3	57.9	60	-	-	-
145VE-T4A			3+	3	13.2	8430	15.1	20	36000	47.6	59.5	60	-	-	-
172VE-T4A	4		3	17.6	11240	20.1	25	47000	35.4	44.3	45	35.4	44.3	45	
187VE-T4A	4		3	17.6	11240	20.1	25	47000	35.4	44.3	45	35.4	44.3	45	
217VE-T4A	4		3	17.6	11240	20.1	25	56400	35.4	44.3	45	35.4	44.3	45	

NOTE: 3+ indicates 3-fan "long" configuration (see dimensional data for details)



ELECTRICAL DATA

HIGH VELOCITY MODELS - 575/3/60

60Hz

MODEL THP	FPI	FAN MOTORS - 575/3/60						DEFROST HEATERS						
		FAN MOTOR QTY	HP	MOTOR FLA TOTAL	WATTS	MCA (A)	MAX. FUSE (AMPS)	WATTS	CIRCUIT #1			CIRCUIT #2		
									AMPS	MCA (A)	MAX. FUSE (AMPS)	AMPS	MCA (A)	MAX. FUSE (AMPS)
068ME-T5A	6	2	3	7.2	5500	8.1	15	17150	18.6	23.2	25.0	-	-	-
081ME-T5A		2	3	7.2	5500	8.1	15	19600	22.1	27.6	30.0	-	-	-
092ME-T5A		2	3	7.2	5500	8.1	15	24500	25.9	32.4	35.0	-	-	-
108ME-T5A		2	3	7.2	5500	8.1	15	24500	25.9	32.4	35.0	-	-	-
123ME-T5A		3	3	10.8	8250	11.7	15	28000	31.6	39.5	40.0	-	-	-
135ME-T5A		3	3	10.8	8250	11.7	15	35000	37.0	46.3	50.0	-	-	-
162ME-T5A		3	3	10.8	8250	11.7	15	35000	37.0	46.3	50.0	-	-	-
181ME-T5A		3+	3	10.8	8250	11.7	15	36000	38.1	47.6	50.0	-	-	-
221ME-T5A		4	3	14.4	11000	15.3	20	47000	28.3	35.4	40.0	28.3	35.4	40.0
243ME-T5A		4	3	14.4	11000	15.3	20	47000	28.3	35.4	40.0	28.3	35.4	40.0
271ME-T5A		4	3	14.4	11000	15.3	20	56400	28.3	35.4	40.0	28.3	35.4	40.0
065LE-T5A		2	3	7.2	5500	8.1	15	17150	18.6	23.2	25.0	-	-	-
078LE-T5A		2	3	7.2	5500	8.1	15	19600	22.1	27.6	30.0	-	-	-
089LE-T5A		2	3	7.2	5500	8.1	15	24500	25.9	32.4	35.0	-	-	-
094LE-T5A		2	3	7.2	5500	8.1	15	24500	25.9	32.4	35.0	-	-	-
118LE-T5A		3	3	10.8	8250	11.7	15	28000	31.6	39.5	40.0	-	-	-
134LE-T5A		3	3	10.8	8250	11.7	15	35000	37.0	46.3	50.0	-	-	-
143LE-T5A		3	3	10.8	8250	11.7	15	35000	37.0	46.3	50.0	-	-	-
161LE-T5A		3+	3	10.8	8250	11.7	15	36000	38.1	47.6	50.0	-	-	-
175LE-T5A		4	3	14.4	11000	15.3	20	37600	42.5	53.1	60.0	-	-	-
198LE-T5A	4	3	14.4	11000	15.3	20	47000	28.3	35.4	40.0	28.3	35.4	40.0	
216LE-T5A	4	3	14.4	11000	15.3	20	47000	28.3	35.4	40.0	28.3	35.4	40.0	
228LE-T5A	4	3	14.4	11000	15.3	20	56400	28.3	35.4	40.0	28.3	35.4	40.0	
059PE-T5A	4	2	3	7.2	5500	8.1	15	17150	18.6	23.2	25.0	-	-	-
072PE-T5A		2	3	7.2	5500	8.1	15	19600	22.1	27.6	30.0	-	-	-
083PE-T5A		2	3	7.2	5500	8.1	15	24500	25.9	32.4	35.0	-	-	-
091PE-T5A		2	3	7.2	5500	8.1	15	24500	25.9	32.4	35.0	-	-	-
109PE-T5A		3	3	10.8	8250	11.7	15	28000	31.6	39.5	40.0	-	-	-
122PE-T5A		3	3	10.8	8250	11.7	15	35000	37.0	46.3	50.0	-	-	-
137PE-T5A		3	3	10.8	8250	11.7	15	35000	37.0	46.3	50.0	-	-	-
150PE-T5A		3+	3	10.8	8250	11.7	15	36000	38.1	47.6	50.0	-	-	-
164PE-T5A		3+	3	10.8	8250	11.7	15	36000	38.1	47.6	50.0	-	-	-
200PE-T5A		4	3	14.4	11000	15.3	20	47000	28.3	35.4	40.0	28.3	35.4	40.0
222PE-T5A		4	3	14.4	11000	15.3	20	47000	28.3	35.4	40.0	28.3	35.4	40.0
256PE-T5A		4	3	14.4	11000	15.3	20	56400	28.3	35.4	40.0	28.3	35.4	40.0
055VE-T5A		2	3	7.2	5500	8.1	15	17150	18.6	23.2	25.0	-	-	-
066VE-T5A		2	3	7.2	5500	8.1	15	19600	22.1	27.6	30.0	-	-	-
076VE-T5A		2	3	7.2	5500	8.1	15	24500	25.9	32.4	35.0	-	-	-
087VE-T5A		2	3	7.2	5500	8.1	15	24500	25.9	32.4	35.0	-	-	-
100VE-T5A		3	3	10.8	8250	11.7	15	28000	31.6	39.5	40.0	-	-	-
114VE-T5A		3	3	10.8	8250	11.7	15	35000	37.0	46.3	50.0	-	-	-
127VE-T5A		3	3	10.8	8250	11.7	15	35000	37.0	46.3	50.0	-	-	-
145VE-T5A		3+	3	10.8	8250	11.7	15	36000	38.1	47.6	50.0	-	-	-
172VE-T5A	4	3	14.4	11000	15.3	20	47000	28.3	35.4	40.0	28.3	35.4	40.0	
187VE-T5A	4	3	14.4	11000	15.3	20	47000	28.3	35.4	40.0	28.3	35.4	40.0	
217VE-T5A	4	3	14.4	11000	15.3	20	56400	28.3	35.4	40.0	28.3	35.4	40.0	

NOTE: 3+ indicates 3-fan "long" configuration (see dimensional data for details)

NOTE: Models in this document are not certified to DOE/NRCAN efficiency standards and should not be used for coolers or freezers less than 3000 sq.ft.


THPE

NOTES

60Hz


System	
Model Number	Date of Start-Up
Serial Number	Service Contractor
Refrigerant	Phone
Electrical Supply	E-mail


 <p>PRODUCT SUPPORT</p>	<p><i>web: www.t-rp.com/thp</i> <i>email: evaps@t-rp.com</i> <i>call: 1-844-893-3222 x520</i></p>
---	---

 <p>TROUBLESHOOTING</p>	<p><i>email: troubleshooting@t-rp.com</i> <i>call: 1-844-893-3222 x529</i></p>
---	--

 <p>SERVICE PARTS</p>	<p><i>web: www.t-rp.com/parts</i> <i>email: parts@t-rp.com</i> <i>call: 1-844-893-3222 x520</i></p>
---	---

 <p>WARRANTY</p>	<p><i>web: www.t-rp.com/warranty</i> <i>email: warranty@t-rp.com</i> <i>call: 1-844-893-3222 x501</i></p>
---	---

 <p>ORDERS</p>	<p><i>email: orders@t-rp.com</i> <i>call: 1-844-893-3222 x501</i></p>
--	--

 <p>SHIPPING</p>	<p><i>email: shipping@t-rp.com</i> <i>call: 1-844-893-3222 x503</i></p>
--	--

HOW CAN WE HELP YOU?
visit www.t-rp.com/contact

“AS BUILT” SERVICE PARTS LIST

Service Parts List
Label
To Be Attached
HERE



Trenton Refrigeration
Brantford, ON • Longview, TX
1-800-463-9517 info@t-rp.com www.t-rp.com

