



# TQH-LINE CONDENSING UNITS

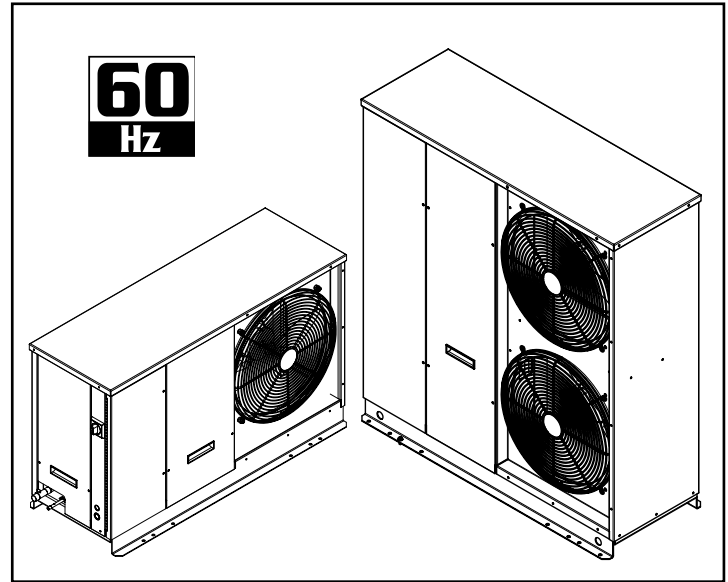
## PRODUCT DATA & SPECIFICATIONS



**OUTDOOR  
AIR COOLED  
HERMETIC CONDENSING UNITS**

**1 TO 6 HP  
HIGH, EXTENDED MEDIUM  
AND LOW TEMPERATURE  
REFRIGERATION**

Bulletin T40-TQH-PDS-4  
1090655

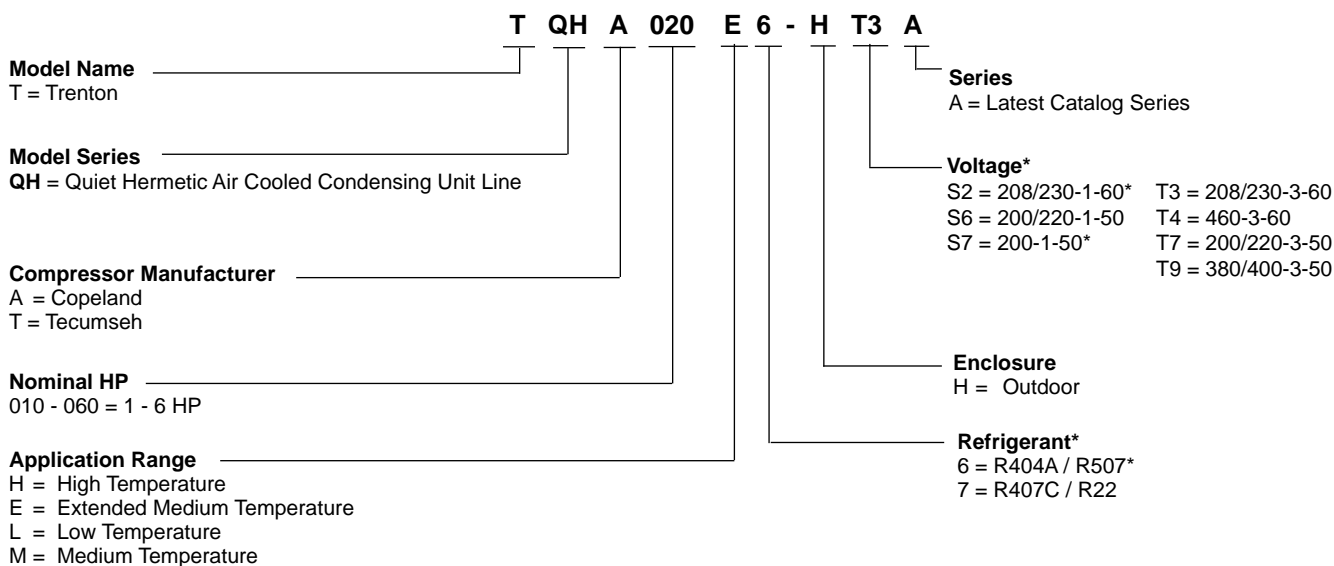


## CONTENTS

	<b>Page</b>
Nomenclature.....	2
Features and Options .....	2 - 3
Capacity Data (Imperial and <i>Metric</i> ).....	4 - 11
Electrical Data.....	12 - 13
Dimensional Data.....	14
Specifications.....	15
Sound Data.....	16
Wiring Diagrams .....	17 - 19
EC Motor Application .....	20 - 22
Optional Wall Mount.....	23
Generic Service Parts List.....	24
Warranty.....	27
Project Information.....	27
“As Built” Service Parts List.....	BACK

For the latest product updates and further information, visit [www.trentonrefrigeration.com](http://www.trentonrefrigeration.com)

# NOMENCLATURE



## STANDARD FEATURES

- Hermetic compressors (Copeland and Tecumseh)
  - Heavy duty weatherproof construction
    - Painted cabinet
- High efficiency enhanced tube and fin condenser design
  - Gold Coat™ fins
- High efficiency variable speed **EC** motor as head pressure control
  - Receiver with fusible plug and liquid shut-off valve
    - Fixed high and low pressure control
    - Crankcase heater
- QuickVac evacuation and refrigerant recovery valves

## OPTIONAL ACCESSORIES

- Liquid line filter drier and sight glass
  - Suction accumulator
  - Sealed suction filter
- Heated and insulated receiver - required in ambients below 10°F
  - Insulated suction line
  - Non-fused disconnect switch
    - Mechanical time clock
      - Time delay relay
- **Sound insulated compressor compartment \***
  - Wall mount kit

\* see sound data table on page 16

# OPTIONAL FEATURE PACKAGES (Factory Mounted)

## Package A:

- Standard Features (see pg. 2)

## Package B:

- Standard Features (see pg. 2)
- *Plus* Sealed Liquid Line Filter Drier & Sight Glass

## Package C:

- Standard Features (see pg. 2)
- *Plus* Sealed Liquid Line Filter Drier & Sight Glass
- *Plus* Suction Accumulator
- *Plus* Mechanical Time Clock

## Package D:

- Standard Features (see pg. 2)
- *Plus* Sealed Liquid Line Filter Drier & Sight Glass
- *Plus* Heated and Insulated Receiver  
(required in ambients below 10°F)

## Package E:

- Standard Features (see pg. 2)
- *Plus* Sealed Liquid Line Filter Drier & Sight Glass
- *Plus* Heated and Insulated Receiver  
(required in ambients below 10°F)
- *Plus* Suction Accumulator
- *Plus* Mechanical Time Clock

## Package F:

- Standard Features (see pg. 2)
- *Plus* Sealed Liquid Line Filter Drier & Sight Glass
- *Plus* Mechanical Time Clock

## Package G:

- Standard Features (see pg. 2)
- *Plus* Sealed Liquid Line Filter Drier & Sight Glass
- *Plus* Heated and Insulated Receiver  
(required in ambients below 10°F)
- *Plus* Mechanical Time Clock

## Package H:

- Standard Features (see pg. 2)
- *Plus* Sealed Liquid Line Filter Drier & Sight Glass
- *Plus* Suction Accumulator
- *Plus* Heated and Insulated Receiver  
(required in ambients below 10°F)

## Package J:

- Standard Features (see pg. 2)
- *Plus* Sealed Liquid Line Filter Drier & Sight Glass
- *Plus* Compressor Compartment Sound Insulation

## Package K:

- Standard Features (see pg. 2)
- *Plus* Sealed Liquid Line Filter Drier & Sight Glass
- *Plus* Compressor Compartment Sound Insulation
- *Plus* Mechanical Time Clock

CONDENSING UNIT MODEL	SATURATED SUCTION TEMPERATURE		CAPACITY BTU/H (WATTS) R22 AMBIENT TEMPERATURE °F (°C)										
	° F	° C	80 (26.6)	85 (29.4)	90 (32.2)	95 (35)	100 (37.8)	105 (40.6)	110 (43.3)				
TQHA015H7 Compressor Model CR18K6E	45 (7.2)		23400 (6860)	22400 (6560)	21400 (6270)	20500 (6010)	19500 (5710)	18500 (5420)	17500 (5130)	16500 (4840)	15500 (4550)	14500 (4260)	13500 (3970)
	40 (4.4)		21200 (6210)	20300 (5950)	19400 (5690)	18400 (5390)	17500 (5130)	16600 (4860)	15700 (4600)	14800 (4340)	13900 (4070)	13000 (3810)	12200 (3580)
	35 (1.7)		19100 (5600)	18200 (5330)	17300 (5070)	16500 (4840)	15600 (4570)	14800 (4340)	14000 (4110)	13200 (3880)	12400 (3650)	11600 (3420)	10900 (3200)
	30 (-1.1)		17000 (4980)	16200 (4750)	15400 (4510)	14600 (4280)	13800 (4040)	13000 (3810)	12200 (3580)	11400 (3350)	10600 (3120)	9900 (2900)	9200 (2680)
	25 (-3.9)		15100 (4430)	14400 (4220)	13600 (3990)	12900 (3780)	12100 (3550)	11300 (3310)	10600 (3110)	9900 (2890)	9200 (2670)	8500 (2450)	7800 (2230)
	20 (-6.7)		13300 (3900)	12600 (3690)	11900 (3490)	11200 (3280)	10500 (3080)	9800 (2870)	9100 (2670)	8400 (2460)	7700 (2250)	7000 (2040)	6300 (1830)
	15 (-9.4)		11600 (3400)	10900 (3190)	10300 (3020)	9600 (2810)	9000 (2640)	8300 (2430)	7600 (2230)	7000 (2050)	6300 (1850)	5600 (1650)	5000 (1450)
10 (-12.2)		10000 (2930)	9400 (2750)	8800 (2580)	8200 (2400)	7600 (2230)	7000 (2050)	6300 (1850)	5600 (1650)	5000 (1450)	4400 (1250)	3800 (1050)	
TQHA020H7 Compressor Model CR24K6E	45 (7.2)		28900 (8470)	27900 (8180)	26800 (7850)	25800 (7560)	24700 (7240)	23700 (6950)	22600 (6660)	21500 (6370)	20400 (6080)	19300 (5790)	18200 (5500)
	40 (4.4)		26100 (7650)	25100 (7360)	24200 (7090)	23200 (6800)	22200 (6510)	21300 (6240)	20300 (5950)	19300 (5660)	18300 (5370)	17300 (5080)	16300 (4790)
	35 (1.7)		23500 (6890)	22600 (6620)	21700 (6360)	20800 (6100)	19900 (5830)	18900 (5540)	17900 (5250)	16900 (4960)	15900 (4670)	14900 (4380)	13900 (4090)
	30 (-1.1)		20900 (6130)	20100 (5890)	19300 (5660)	18400 (5390)	17600 (5160)	16800 (4920)	15900 (4660)	15000 (4400)	14100 (4140)	13200 (3880)	12300 (3620)
	25 (-3.9)		18600 (5450)	17800 (5220)	17100 (5010)	16300 (4780)	15500 (4540)	14700 (4310)	13900 (4070)	13100 (3840)	12300 (3610)	11500 (3380)	10700 (3150)
	20 (-6.7)		16400 (4810)	15700 (4600)	15000 (4400)	14200 (4160)	13500 (3960)	12800 (3750)	12000 (3520)	11300 (3320)	10600 (3120)	9900 (2920)	9200 (2720)
	15 (-9.4)		14300 (4190)	13700 (4020)	13000 (3810)	12300 (3600)	11600 (3400)	11000 (3220)	10300 (3020)	9600 (2820)	9000 (2640)	8300 (2440)	7600 (2240)
10 (-12.2)		12400 (3630)	11800 (3460)	11200 (3280)	10500 (3080)	9900 (2900)	9200 (2700)	8600 (2520)	7900 (2320)	7300 (2140)	6700 (1960)	6100 (1780)	
TQHA025H7 Compressor Model CR32K6E	45 (7.2)		37100 (10870)	35800 (10490)	34400 (10080)	33100 (9700)	31800 (9320)	30400 (8910)	29100 (8530)	27700 (8120)	26400 (7740)	25100 (7360)	23800 (6980)
	40 (4.4)		33900 (9940)	32600 (9550)	31400 (9200)	30200 (8850)	28900 (8470)	27700 (8120)	26400 (7740)	25100 (7360)	23800 (6980)	22500 (6600)	21200 (6220)
	35 (1.7)		30800 (9030)	29700 (8700)	28600 (8380)	27400 (8030)	26300 (7710)	25100 (7360)	23800 (6980)	22500 (6600)	21200 (6220)	19900 (5840)	18600 (5460)
	30 (-1.1)		28000 (8210)	26900 (7880)	25900 (7590)	24800 (7270)	23700 (6950)	22700 (6650)	21600 (6330)	20600 (6030)	19500 (5730)	18400 (5430)	17300 (5130)
	25 (-3.9)		25200 (7390)	24300 (7120)	23300 (6830)	22300 (6540)	21300 (6240)	20300 (5950)	19400 (5690)	18400 (5390)	17400 (5130)	16400 (4840)	15400 (4550)
	20 (-6.7)		22700 (6650)	21700 (6360)	20800 (6100)	19900 (5830)	19000 (5570)	18100 (5300)	17200 (5040)	16300 (4780)	15400 (4520)	14500 (4260)	13600 (4000)
	15 (-9.4)		20200 (5920)	19300 (5660)	18500 (5420)	17600 (5160)	16800 (4920)	16000 (4690)	15200 (4450)	14400 (4210)	13600 (3970)	12800 (3730)	12000 (3490)
10 (-12.2)		17800 (5220)	17000 (4980)	16200 (4750)	15400 (4510)	14700 (4310)	13900 (4070)	13200 (3870)	12400 (3630)	11600 (3390)	10800 (3150)	10000 (2910)	
TQHA030H7 Compressor Model CR38K6E	45 (7.2)		46100 (13510)	44400 (13010)	42800 (12540)	41100 (12050)	39400 (11550)	37800 (11080)	36100 (10580)	34500 (10110)	32900 (9640)	31300 (9170)	29700 (8700)
	40 (4.4)		42100 (12340)	40500 (11870)	39000 (11430)	37400 (10960)	35800 (10490)	34300 (10050)	32700 (9580)	31200 (9140)	29600 (8670)	28000 (8200)	26400 (7740)
	35 (1.7)		38200 (11200)	36800 (10780)	35300 (10350)	33900 (9940)	32400 (9500)	30900 (9060)	29500 (8650)	28000 (8240)	26500 (7830)	25000 (7420)	23500 (6980)
	30 (-1.1)		34500 (10110)	33200 (9730)	31800 (9320)	30500 (8940)	29100 (8530)	27700 (8120)	26400 (7740)	25000 (7330)	23600 (6920)	22200 (6510)	20800 (6100)
	25 (-3.9)		31000 (9090)	29800 (8730)	28500 (8350)	27200 (7970)	25900 (7590)	24700 (7240)	23400 (6860)	22100 (6480)	20800 (6100)	19500 (5720)	18200 (5340)
	20 (-6.7)		27700 (8120)	26500 (7770)	25300 (7410)	24200 (7090)	22900 (6710)	21700 (6360)	20600 (6040)	19400 (5660)	18200 (5280)	17000 (4900)	15800 (4520)
	15 (-9.4)		24500 (7180)	23500 (6890)	22300 (6540)	21200 (6210)	20100 (5890)	19000 (5570)	17900 (5250)	16800 (4930)	15700 (4610)	14600 (4290)	13500 (3970)
10 (-12.2)		21600 (6330)	20500 (6010)	19500 (5710)	18400 (5390)	17400 (5100)	16300 (4780)	15300 (4480)	14200 (4160)	13200 (3860)	12100 (3540)	11000 (3220)	
KEHA040H7 Compressor Model CR42K6E	45 (7.2)		50800 (14890)	49000 (14360)	47200 (13830)	45400 (13310)	43500 (12750)	41700 (12220)	39800 (11660)	37900 (11110)	36000 (10550)	34100 (10000)	32200 (9440)
	40 (4.4)		46300 (13570)	44600 (13070)	42900 (12570)	41300 (12100)	39600 (11610)	37900 (11110)	36200 (10610)	34500 (10110)	32800 (9610)	31100 (9110)	29400 (8610)
	35 (1.7)		41900 (12280)	40400 (11840)	38900 (11400)	37300 (10930)	35800 (10490)	34200 (10020)	32700 (9580)	31100 (9140)	29500 (8690)	27900 (8250)	26300 (7810)
	30 (-1.1)		37700 (11050)	36400 (10670)	35000 (10260)	33600 (9850)	32200 (9440)	30800 (9030)	29300 (8590)	27800 (8180)	26300 (7770)	24800 (7360)	23300 (6950)
	25 (-3.9)		33800 (9910)	32600 (9550)	31300 (9170)	30000 (8790)	28700 (8410)	27400 (8030)	26100 (7650)	24800 (7270)	23500 (6890)	22200 (6510)	20900 (6130)
	20 (-6.7)		30100 (8820)	29000 (8500)	27800 (8150)	26600 (7800)	25400 (7440)	24300 (7120)	23100 (6770)	22000 (6450)	20900 (6130)	19800 (5810)	18700 (5490)
	15 (-9.4)		26700 (7820)	25600 (7500)	24500 (7180)	23400 (6860)	22400 (6560)	21300 (6240)	20200 (5920)	19100 (5600)	18000 (5280)	16900 (4960)	15800 (4640)
10 (-12.2)		23500 (6890)	22400 (6560)	21500 (6300)	20500 (6010)	19500 (5710)	18500 (5420)	17500 (5130)	16500 (4840)	15500 (4550)	14500 (4260)	13500 (3970)	
TQHA040H7 Compressor Model CR53KQE	45 (7.2)		64400 (18870)	62100 (18200)	59700 (17500)	57400 (16820)	55100 (16150)	52700 (15440)	50300 (14740)	47900 (14040)	45500 (13340)	43100 (12640)	40700 (11940)
	40 (4.4)		58700 (17200)	56600 (16590)	54400 (15940)	52300 (15330)	50100 (14680)	48000 (14070)	45800 (13420)	43600 (12770)	41400 (12120)	39200 (11470)	37000 (10820)
	35 (1.7)		53200 (15590)	51300 (15030)	49300 (14450)	47400 (13890)	45400 (13310)	43400 (12720)	41400 (12130)	39400 (11540)	37400 (10950)	35400 (10360)	33400 (9770)
	30 (-1.1)		48000 (14070)	46200 (13540)	44400 (13010)	42700 (12510)	40800 (11960)	39000 (11430)	37200 (10900)	35400 (10370)	33600 (9840)	31800 (9310)	29900 (8780)
	25 (-3.9)		43100 (12630)	41400 (12130)	39800 (11660)	38200 (11200)	36500 (10700)	34900 (10230)	33200 (9730)	31600 (9260)	29900 (8790)	28200 (8320)	26500 (7850)
	20 (-6.7)		38400 (11250)	36900 (10810)	35400 (10370)	33900 (9940)	32400 (9500)	30900 (9060)	29400 (8620)	27800 (8180)	26300 (7740)	24700 (7300)	23100 (6860)
	15 (-9.4)		34000 (9960)	32600 (9550)	31200 (9140)	29900 (8760)	28500 (8350)	27100 (7940)	25700 (7530)	24300 (7120)	22900 (6710)	21500 (6300)	20100 (5890)
10 (-12.2)		29900 (8760)	28700 (8410)	27400 (8030)	26100 (7650)	24800 (7270)	23600 (6920)	22300 (6540)	21000 (6160)	19700 (5780)	18400 (5400)	17100 (5020)	
TQHA050H7 Compressor Model CRNq-050E	45 (7.2)		73100 (21420)	70600 (20690)	68100 (19960)	65600 (19230)	63200 (18520)	60800 (17820)	58300 (17090)	55800 (16380)	53300 (15650)	50800 (14920)	48300 (14190)
	40 (4.4)		66800 (19580)	64500 (18900)	62200 (18230)	59900 (17550)	57700 (16910)	55400 (16240)	53200 (15590)	50900 (14910)	48600 (14240)	46300 (13570)	44000 (12840)
	35 (1.7)		60800 (17820)	58700 (17200)	56600 (16590)	54500 (15970)	52400 (15360)	50300 (14740)	48300 (14160)	46200 (13540)	44100 (12920)	42000 (12300)	39900 (11680)
	30 (-1.1)		55100 (16150)	53200 (15590)	51300 (15030)	49400 (14480)	47400 (13890)	45500 (13330)	43500 (12750)	41600 (12160)	39600 (11570)	37600 (10990)	35600 (10410)
	25 (-3.9)		49700 (14570)	48000 (14070)	46200 (13540)	44400 (13010)	42700 (12510)	40800 (11960)	39000 (11430)	37100 (10880)	35200 (10340)	33300 (9800)	31400 (9260)
	20 (-6.7)		44700 (13100)	43000 (12600)	41400 (12130)	39700 (11630)	38100 (11170)	36300 (10640)	34600 (10140)	32800 (9610)	31000 (9080)	29200 (8540)	27400 (8000)
	15 (-9.4)		39800 (11660)	38300 (11220)	36800 (10780)	35200 (10320)	33600 (9850)	32000 (9380)	30300 (8880)	28600 (8410)	26900 (7910)	25200 (7440)	23500 (6970)
10 (-12.2)		35200 (10320)	33800 (9910)	32300 (9470)	30800 (9030)	29300 (8590)	27700 (8120)	26100 (7650)	24500 (7180)	22900 (6710)	21300 (6240)	19700 (5780)	

--- Outside Operating Range † Max 40°F RGT

MODEL	SATURATED SUCTION TEMP.		CAPACITY BTU/H (WATTS) <b>R407C</b> AMBIENT TEMPERATURE °F (°C)						
	°F	°C	80 (26.6)	85 (29.4)	90 (32.2)	95 (35.0)	100 (37.8)	105 (40.6)	110 (43.3)
TQHA015H7 Compressor Model CR18K6E	45 (7.2)		19800 (5800)	19200 (5630)	18500 (5420)	17900 (5250)	17200 (5040)	16600 (4860)	15900 (4660)
	40 (4.4)		17900 (5250)	17400 (5100)	16800 (4920)	16200 (4750)	15500 (4540)	14900 (4370)	14300 (4190)
	35 (1.7)		16200 (4750)	15600 (4570)	15100 (4430)	14500 (4250)	13900 (4070)	13400 (3930)	12800 (3750)
	30 (-1.1)		14500 (4250)	14000 (4100)	13500 (3960)	13000 (3810)	12400 (3630)	11900 (3490)	11400 (3340)
	25 (-3.9)		13000 (3810)	12500 (3660)	12000 (3520)	11500 (3370)	11000 (3220)	10500 (3080)	10000 (2930)
	20 (-6.7)		11500 (3370)	11000 (3220)	10600 (3110)	10100 (2960)	9700 (2840)	9200 (2700)	8700 (2550)
	15 (-9.4)		10100 (2960)	9700 (2840)	9300 (2730)	8800 (2580)	8400 (2460)	7900 (2320)	7500 (2200)
	10 (-12.2)		8800 (2580)	8400 (2460)	8000 (2340)	7600 (2230)	7200 (2110)	6800 (1990)	6400 (1880)
TQHA020H7 Compressor Model CR24K6E	45 (7.2)		25700 (7530)	24900 (7300)	24000 (7030)	23200 (6800)	22300 (6540)	21500 (6300)	20600 (6040)
	40 (4.4)		23300 (6830)	22500 (6590)	21700 (6360)	20900 (6130)	20100 (5890)	19300 (5660)	18500 (5420)
	35 (1.7)		21000 (6150)	20300 (5950)	19600 (5740)	18800 (5510)	18100 (5300)	17300 (5070)	16600 (4860)
	30 (-1.1)		18800 (5510)	18200 (5330)	17500 (5130)	16800 (4920)	16100 (4720)	15400 (4510)	14700 (4310)
	25 (-3.9)		16800 (4920)	16200 (4750)	15600 (4570)	14900 (4370)	14300 (4190)	13600 (3990)	13000 (3810)
	20 (-6.7)		14900 (4370)	14300 (4190)	13700 (4020)	13100 (3840)	12500 (3660)	11900 (3490)	11300 (3310)
	15 (-9.4)		13100 (3840)	12500 (3660)	12000 (3520)	11400 (3340)	10900 (3190)	10300 (3020)	9800 (2870)
	10 (-12.2)		11400 (3340)	10900 (3190)	10400 (3050)	9800 (2870)	9300 (2730)	8800 (2580)	8300 (2430)
TQHA025H7 Compressor Model CR32K6E	45 (7.2)		33300 (9760)	32200 (9440)	31200 (9140)	30100 (8820)	28900 (8470)	27800 (8150)	26700 (7820)
	40 (4.4)		30200 (8850)	29200 (8560)	28200 (8260)	27200 (7970)	26100 (7650)	25100 (7360)	24000 (7030)
	35 (1.7)		27300 (8000)	26400 (7740)	25400 (7440)	24400 (7150)	23400 (6860)	22500 (6590)	21500 (6300)
	30 (-1.1)		24500 (7180)	23600 (6920)	22800 (6680)	21800 (6390)	20900 (6130)	20000 (5860)	19100 (5600)
	25 (-3.9)		21900 (6420)	21100 (6180)	20200 (5920)	19400 (5690)	18600 (5450)	17700 (5190)	16800 (4920)
	20 (-6.7)		19400 (5690)	18700 (5480)	17900 (5250)	17100 (5010)	16300 (4780)	15500 (4540)	14700 (4310)
	15 (-9.4)		17100 (5010)	16400 (4810)	15600 (4570)	14900 (4370)	14200 (4160)	13400 (3930)	12700 (3720)
	10 (-12.2)		14800 (4340)	14200 (4160)	13500 (3960)	12800 (3750)	12100 (3550)	11400 (3340)	10800 (3170)
TQHA030H7 Compressor Model CR38K6E	45 (7.2)		38900 (11400)	37400 (10960)	35800 (10490)	34200 (10020)	32500 (9520)	30900 (9060)	29300 (8590)
	40 (4.4)		35200 (10320)	33700 (9880)	32300 (9470)	30700 (9000)	29200 (8560)	27700 (8120)	26100 (7650)
	35 (1.7)		31700 (9290)	30300 (8880)	28900 (8470)	27500 (8060)	26100 (7650)	24600 (7210)	23200 (6800)
	30 (-1.1)		28400 (8320)	27100 (7940)	25800 (7560)	24400 (7150)	23100 (6770)	21700 (6360)	20400 (5980)
	25 (-3.9)		25200 (7390)	24000 (7030)	22800 (6680)	21600 (6330)	20300 (5950)	19000 (5570)	17800 (5220)
	20 (-6.7)		22200 (6510)	21100 (6180)	20000 (5860)	18800 (5510)	17700 (5190)	16500 (4840)	15300 (4480)
	15 (-9.4)		19400 (5690)	18400 (5390)	17300 (5070)	16200 (4750)	15100 (4430)	14000 (4100)	13000 (3810)
	10 (-12.2)		16700 (4890)	15800 (4630)	14800 (4340)	13700 (4020)	12700 (3720)	11700 (3430)	10700 (3140)
TQHA035H7 Compressor Model CR42K6E	45 (7.2)		46900 (13740)	45100 (13220)	43300 (12690)	41400 (12130)	39500 (11580)	37600 (11020)	35600 (10430)
	40 (4.4)		42100 (12340)	40500 (11870)	38800 (11370)	37100 (10870)	35300 (10350)	33400 (9790)	31600 (9260)
	35 (1.7)		37700 (11050)	36200 (10610)	34600 (10140)	33000 (9670)	31300 (9170)	29600 (8670)	27900 (8180)
	30 (-1.1)		33600 (9850)	32200 (9440)	30700 (9000)	29200 (8560)	27600 (8090)	26100 (7650)	24500 (7180)
	25 (-3.9)		29800 (8730)	28500 (8350)	27100 (7940)	25700 (7530)	24200 (7090)	22700 (6650)	21300 (6240)
	20 (-6.7)		26200 (7680)	25000 (7330)	23700 (6950)	22400 (6560)	21000 (6150)	19600 (5740)	18200 (5330)
	15 (-9.4)		22800 (6680)	21700 (6360)	20500 (6010)	19200 (5630)	18000 (5280)	16700 (4890)	15400 (4510)
	10 (-12.2)		19600 (5740)	18600 (5450)	17400 (5100)	16300 (4780)	15100 (4430)	13900 (4070)	12700 (3720)
TQHA040H7 Compressor Model CR53KQE	45 (7.2)		60200 (17640)	57900 (16970)	55500 (16270)	53100 (15560)	50600 (14830)	48100 (14100)	45500 (13330)
	40 (4.4)		54200 (15880)	52000 (15240)	49800 (14590)	47500 (13920)	45200 (13250)	42900 (12570)	40500 (11870)
	35 (1.7)		48600 (14240)	46600 (13660)	44500 (13040)	42400 (12430)	40200 (11780)	38000 (11140)	35800 (10490)
	30 (-1.1)		43300 (12690)	41500 (12160)	39500 (11580)	37500 (10990)	35500 (10400)	33500 (9820)	31400 (9200)
	25 (-3.9)		38400 (11250)	36700 (10760)	34900 (10230)	33000 (9670)	31100 (9110)	29200 (8560)	27300 (8000)
	20 (-6.7)		33800 (9910)	32200 (9440)	30500 (8940)	28800 (8440)	27000 (7910)	25300 (7410)	23500 (6890)
	15 (-9.4)		29500 (8650)	28000 (8210)	26400 (7740)	24800 (7270)	23200 (6800)	21500 (6300)	19900 (5830)
	10 (-12.2)		25400 (7440)	24000 (7030)	22500 (6590)	21000 (6150)	19400 (5690)	17900 (5250)	16400 (4810)
TQHA050H7 Compressor Model CRNQ-050E	45 (7.2)		70700 (20720)	67800 (19870)	64800 (18990)	61900 (18140)	59000 (17290)	56000 (16410)	53100 (15560)
	40 (4.4)		64300 (18840)	61600 (18050)	58900 (17260)	56200 (16470)	53500 (15680)	50700 (14860)	48000 (14070)
	35 (1.7)		58200 (17060)	55700 (16320)	53200 (15590)	50700 (14860)	48100 (14100)	45600 (13360)	43200 (12660)
	30 (-1.1)		52400 (15360)	50000 (14650)	47700 (13980)	45400 (13310)	43100 (12630)	40800 (11960)	38500 (11280)
	25 (-3.9)		46800 (13720)	44700 (13100)	42500 (12460)	40400 (11840)	38300 (11220)	36200 (10610)	34100 (9990)
	20 (-6.7)		41600 (12190)	39600 (11610)	37600 (11020)	35600 (10430)	33700 (9880)	31800 (9320)	29900 (8760)
	15 (-9.4)		36700 (10760)	34800 (10200)	33000 (9670)	31200 (9140)	29400 (8620)	27700 (8120)	26000 (7620)
	10 (-12.2)		32100 (9410)	30400 (8910)	28700 (8410)	27100 (7940)	25400 (7440)	23900 (7000)	22300 (6540)

**NOTE:** The capacities shown above are rated at dew point. The dew point is a saturation point and is the condition (pressure and temperature) at which a gas begins to condense. Since R407C has significant glide, the saturated gas and saturated liquid temperatures are not the same. It is important that all components of a system are selected correctly

**CAPACITY DATA - R404A R507**  
**EXTENDED MEDIUM TEMPERATURE**

MODEL	SATURATED SUCTION TEMP. F° (C°)	CAPACITY BTU/H (WATTS) R404A R507								AMBIENT TEMPERATURE °F (°C)		
		80 (26.6)	85 (29.4)	90 (32.2)	95 (35.0)	100 (37.8)	105 (40.6)	110 (43.3)				
TQHA006E6 Compressor Model RST45C1E	30 (-1.1)	8130 (2380)	7790 (2280)	7450 (2180)	7100 (2080)	6740 (1980)	6370 (1870)	5990 (1760)				
	25 (-3.9)	7390 (2170)	7090 (2080)	6780 (1990)	6460 (1890)	6130 (1800)	5800 (1700)	5450 (1600)				
	20 (-6.7)	6710 (1970)	6430 (1880)	6150 (1800)	5860 (1720)	5560 (1630)	5260 (1540)	4940 (1450)				
	15 (-9.4)	6060 (1780)	5810 (1700)	5560 (1630)	5290 (1550)	5020 (1470)	4750 (1390)	4460 (1310)				
	10 (-12.2)	5450 (1600)	5230 (1530)	5000 (1470)	4760 (1400)	4510 (1320)	4260 (1250)	4010 (1180)				
	5 (-15)	4880 (1430)	4670 (1370)	4470 (1310)	4250 (1250)	4030 (1180)	3810 (1120)	3580 (1050)				
0 (-17.8)	4330 (1270)	4150 (1220)	3960 (1160)	3770 (1100)	3570 (1050)	3370 (990)	3160 (930)					
TQHA008E6 Compressor Model RST55C1E	30 (-1.1)	9870 (2890)	9410 (2760)	8940 (2620)	8470 (2480)	8000 (2340)	7520 (2200)	7050 (2070)				
	25 (-3.9)	9030 (2650)	8600 (2520)	8170 (2390)	7730 (2270)	7290 (2140)	6850 (2010)	6420 (1880)				
	20 (-6.7)	8220 (2410)	7830 (2290)	7430 (2180)	7020 (2060)	6620 (1940)	6210 (1820)	5810 (1700)				
	15 (-9.4)	7450 (2180)	7090 (2080)	6720 (1970)	6350 (1860)	5970 (1750)	5600 (1640)	5230 (1530)				
	10 (-12.2)	6720 (1970)	6380 (1870)	6050 (1770)	5710 (1670)	5360 (1570)	5020 (1470)	4680 (1370)				
	5 (-15)	6020 (1760)	5720 (1680)	5410 (1590)	5100 (1490)	4790 (1400)	4480 (1310)	4170 (1220)				
0 (-17.8)	5370 (1570)	5100 (1490)	4820 (1410)	4540 (1330)	4260 (1250)	3970 (1160)	3690 (1080)					
TQHA009E6 Compressor Model RST64C1E	30 (-1.1)	11460 (3360)	10980 (3220)	10500 (3080)	10000 (2930)	9500 (2780)	8980 (2630)	8460 (2480)				
	25 (-3.9)	10510 (3080)	10070 (2950)	9620 (2820)	9160 (2680)	8700 (2550)	8220 (2410)	7740 (2270)				
	20 (-6.7)	9590 (2810)	9190 (2690)	8770 (2570)	8360 (2450)	7930 (2320)	7490 (2200)	7050 (2070)				
	15 (-9.4)	8720 (2560)	8340 (2440)	7970 (2340)	7580 (2220)	7190 (2110)	6790 (1990)	6390 (1870)				
	10 (-12.2)	7880 (2310)	7540 (2210)	7200 (2110)	6840 (2000)	6490 (1900)	6130 (1800)	5760 (1690)				
	5 (-15)	7100 (2080)	6780 (1990)	6470 (1900)	6150 (1800)	5820 (1710)	5490 (1610)	5170 (1520)				
0 (-17.8)	6350 (1860)	6070 (1780)	5780 (1690)	5490 (1610)	5190 (1520)	4900 (1440)	4600 (1350)					
TQHA010E6 Compressor Model RST70C1E	40 (4.4)	16540 (4847)	15740 (4613)	14930 (4376)	14120 (4138)	13300 (3898)	12480 (3658)	11660 (3417)				
	35 (1.7)	15070 (4417)	14330 (4200)	13590 (3983)	12850 (3766)	12110 (3549)	11360 (3329)	10610 (3109)				
	30 (-1.1)	14020 (4109)	13240 (3880)	12470 (3655)	11720 (3435)	10970 (3215)	10230 (2998)	9470 (2775)				
	25 (-3.9)	12600 (3693)	11910 (3490)	11240 (3294)	10560 (3095)	9900 (2901)	9230 (2705)	8560 (2509)				
	20 (-6.7)	11290 (3309)	10680 (3130)	10090 (2957)	9490 (2781)	8900 (2608)	8320 (2438)	7720 (2263)				
	15 (-9.4)	10080 (2954)	9560 (2802)	9030 (2646)	8520 (2497)	7990 (2342)	7470 (2189)	6940 (2034)				
	10 (-12.2)	8970 (2629)	8520 (2497)	8050 (2359)	7600 (2227)	7150 (2095)	6680 (1958)	6210 (1820)				
	5 (-15)	7950 (2330)	7550 (2213)	7150 (2095)	6760 (1981)	6350 (1861)	5940 (1741)	5510 (1615)				
	0 (-17.8)	6990 (2049)	6650 (1949)	6310 (1849)	5950 (1744)	5600 (1641)	5230 (1533)	4830 (1416)				
	-5 (-20.6)	5810 (1703)	5530 (1621)	5240 (1536)	4950 (1451)	4640 (1360)	4310 (1263)	3970 (1163)				
	-10 (-23.3)	5020 (1471)	4760 (1395)	4510 (1322)	4240 (1243)	3950 (1158)	3650 (1070)	3320 (973)				
	-15 (-26.1)	4250 (1246)	4020 (1178)	3780 (1108)	3530 (1035)	3260 (955)	2970 (870)	2650 (777)				
-20 (-28.9)	3500 (1026)	3280 (961)	3060 (897)	2810 (824)	2550 (747)	2260 (662)	1940 (569)					
-25 (-31.7)	2750 (806)	2540 (744)	2320 (680)	2070 (607)	1800 (528)	1500 (440)	1170 (343)					
TQHA015E6 Compressor Model CS10K6E	40 (4.4)	24260 (7110)	22980 (6735)	21720 (6366)	20460 (5996)	19220 (5633)	17960 (5264)	16720 (4900)				
	35 (1.7)	22070 (6468)	20910 (6128)	19740 (5785)	18570 (5442)	17420 (5105)	16280 (4771)	15120 (4431)				
	30 (-1.1)	20350 (5964)	19180 (5621)	18020 (5281)	16870 (4944)	15730 (4610)	14600 (4279)	13470 (3948)				
	25 (-3.9)	18530 (5431)	17460 (5117)	16390 (4803)	15330 (4493)	14270 (4182)	13230 (3877)	12190 (3573)				
	20 (-6.7)	16740 (4906)	15750 (4616)	14770 (4329)	13800 (4044)	12830 (3760)	11870 (3479)	10910 (3197)				
	15 (-9.4)	14980 (4390)	14080 (4126)	13190 (3866)	12300 (3605)	11410 (3344)	10530 (3086)	9660 (2831)				
	10 (-12.2)	13280 (3892)	12460 (3652)	11640 (3411)	10840 (3177)	10030 (2940)	9220 (2702)	8420 (2468)				
	5 (-15)	11640 (3411)	10900 (3194)	10160 (2978)	9420 (2761)	8690 (2547)	7960 (2333)	7230 (2119)				
	0 (-17.8)	10070 (2951)	9410 (2758)	8740 (2561)	8070 (2365)	7410 (2172)	6750 (1978)	6090 (1785)				
	-5 (-20.6)	8190 (2400)	7620 (2233)	7050 (2066)	6480 (1899)	5910 (1732)	5340 (1565)	4770 (1398)				
	-10 (-23.3)	6890 (2019)	6380 (1870)	5870 (1720)	5360 (1571)	4840 (1418)	4330 (1269)	3810 (1117)				
	-15 (-26.1)	5700 (1671)	5250 (1539)	4790 (1404)	4330 (1269)	3870 (1134)	3400 (996)	2930 (859)				
-20 (-28.9)	4650 (1363)	4250 (1246)	3840 (1125)	3430 (1005)	3010 (882)	2580 (756)	2160 (633)					
-25 (-31.7)	3740 (1096)	3380 (991)	3020 (885)	2640 (774)	2270 (665)	1880 (551)	1490 (437)					
TQHA020E6 Compressor Model CS12K6E	40 (4.4)	26630 (7804)	25240 (7397)	23880 (6999)	22500 (6594)	21140 (6196)	19780 (5797)	18440 (5404)				
	35 (1.7)	24350 (7136)	23080 (6764)	21810 (6392)	20550 (6023)	19290 (5653)	18040 (5287)	16800 (4924)				
	30 (-1.1)	22940 (6723)	21680 (6354)	20430 (5987)	19190 (5624)	17960 (5264)	16730 (4903)	15510 (4546)				
	25 (-3.9)	20940 (6137)	19760 (5791)	18600 (5451)	17440 (5111)	16300 (4777)	15150 (4440)	14020 (4109)				
	20 (-6.7)	18970 (5560)	17880 (5240)	16810 (4927)	15740 (4613)	14670 (4299)	13620 (3992)	12570 (3684)				
	15 (-9.4)	17070 (5003)	16070 (4710)	15070 (4417)	14080 (4126)	13090 (3836)	12120 (3552)	11150 (3268)				
	10 (-12.2)	15230 (4463)	14300 (4191)	13380 (3921)	12470 (3655)	11570 (3391)	10680 (3130)	9790 (2869)				
	5 (-15)	13450 (3942)	12600 (3693)	11760 (3447)	10930 (3203)	10110 (2963)	9290 (2723)	8480 (2485)				
	0 (-17.8)	11760 (3447)	10980 (3218)	10220 (2995)	9460 (2772)	8720 (2556)	7970 (2336)	7230 (2119)				
	-5 (-20.6)	9660 (2831)	8990 (2635)	8330 (2441)	7680 (2251)	7040 (2063)	6410 (1879)	5770 (1691)				
	-10 (-23.3)	8220 (2409)	7620 (2233)	7020 (2057)	6440 (1887)	5870 (1720)	5300 (1553)	4730 (1386)				
	-15 (-26.1)	6880 (2016)	6340 (1858)	5810 (1703)	5290 (1550)	4780 (1401)	4270 (1251)	3770 (1105)				
-20 (-28.9)	5640 (1653)	5160 (1512)	4700 (1377)	4240 (1243)	3790 (1111)	3340 (979)	2900 (850)					
-25 (-31.7)	4520 (1325)	4100 (1202)	3690 (1081)	3290 (964)	2900 (850)	2510 (736)	2130 (624)					

table continues on next page >>>



**CAPACITY DATA - R404A R507**  
**EXTENDED MEDIUM TEMPERATURE (cont'd)**

MODEL	SATURATED SUCTION TEMP. F° (C°)	CAPACITY BTU/H (WATTS) R404A R507 AMBIENT TEMPERATURE °F (°C)									
		80 (26.6)	85 (29.4)	90 (32.2)	95 (35.0)	100 (37.8)	105 (40.6)	110 (43.3)			
TQHA025E6  Compressor Model CS14K6E	40 (4.4)	30010 (8795)	28500 (8353)	26990 (7910)	25470 (7465)	23960 (7022)	22450 (6579)	20950 (6140)			
	35 (1.7)	27620 (8095)	26210 (7681)	24810 (7271)	23400 (6858)	22000 (6448)	20600 (6037)	19200 (5627)			
	30 (-1.1)	25250 (7400)	23870 (6996)	22480 (6588)	21090 (6181)	19720 (5779)	18330 (5372)	16950 (4968)			
	25 (-3.9)	23240 (6811)	21970 (6439)	20700 (6067)	19430 (5694)	18150 (5319)	16880 (4947)	15600 (4572)			
	20 (-6.7)	21230 (6222)	20070 (5882)	18900 (5539)	17730 (5196)	16570 (4856)	15410 (4516)	14250 (4176)			
	15 (-9.4)	19250 (5642)	18180 (5328)	17120 (5017)	16050 (4704)	14990 (4393)	13930 (4082)	12870 (3772)			
	10 (-12.2)	17280 (5064)	16320 (4783)	15350 (4499)	14390 (4217)	13430 (3936)	12460 (3652)	11510 (3373)			
	5 (-15)	15370 (4505)	14500 (4250)	13630 (3995)	12760 (3740)	11900 (3488)	11030 (3233)	10160 (2978)			
	0 (-17.8)	13530 (3965)	12750 (3737)	11960 (3505)	11180 (3277)	10400 (3048)	9620 (2819)	8850 (2594)			
	-5 (-20.6)	11220 (3288)	10540 (3089)	9870 (2893)	9210 (2699)	8540 (2503)	7880 (2309)	7220 (2116)			
	-10 (-23.3)	9650 (2828)	9050 (2652)	8450 (2476)	7850 (2301)	7260 (2128)	6670 (1955)	6080 (1782)			
	-15 (-26.1)	8200 (2403)	7660 (2245)	7130 (2090)	6600 (1934)	6070 (1779)	5550 (1627)	5030 (1474)			
-20 (-28.9)	6900 (2022)	6420 (1882)	5940 (1741)	5470 (1603)	5000 (1465)	4530 (1328)	4070 (1193)				
-25 (-31.7)	5760 (1688)	5330 (1562)	4900 (1436)	4470 (1310)	4050 (1187)	3640 (1067)	3230 (947)				
TQHA030E6  Compressor Model CS18K6E	30 (-1.1)	32100 (9410)	30280 (8870)	28470 (8340)	26650 (7810)	24850 (7280)	23060 (6760)	21290 (6240)			
	25 (-3.9)	29610 (8680)	27920 (8180)	26220 (7680)	24540 (7190)	22860 (6700)	21190 (6210)	19550 (5730)			
	20 (-6.7)	27080 (7940)	25500 (7470)	23930 (7010)	22370 (6560)	20810 (6100)	19280 (5650)	17760 (5200)			
	15 (-9.4)	24530 (7190)	23070 (6760)	21620 (6340)	20170 (5910)	18740 (5490)	17330 (5080)	15930 (4670)			
	10 (-12.2)	21980 (6440)	20640 (6050)	19310 (5660)	17990 (5270)	16670 (4890)	15370 (4500)	14100 (4130)			
	5 (-15)	19480 (5710)	18260 (5350)	17040 (4990)	15820 (4640)	14630 (4290)	13450 (3940)	12310 (3610)			
	0 (-17.8)	17040 (4990)	15930 (4670)	14830 (4350)	13730 (4020)	12650 (3710)	11590 (3400)	10560 (3090)			
	-5 (-20.6)	14010 (4110)	13060 (3830)	12120 (3550)	11180 (3280)	10260 (3010)	9360 (2740)	8500 (2490)			
	-10 (-23.3)	11930 (3500)	11090 (3250)	10250 (3000)	9420 (2760)	8600 (2520)	7820 (2290)	7070 (2070)			
	-15 (-26.1)	10040 (2940)	9290 (2720)	8550 (2510)	7830 (2290)	7120 (2090)	6440 (1890)	5800 (1700)			
	-20 (-28.9)	8360 (2450)	7720 (2260)	7080 (2070)	6450 (1890)	5850 (1710)	5280 (1550)	4750 (1390)			
	-25 (-31.7)	6950 (2040)	6400 (1880)	5860 (1720)	5340 (1560)	4840 (1420)	4380 (1280)	3970 (1160)			
TQHA035E6  Compressor Model CS20K6E	30 (-1.1)	41300 (12100)	39100 (11460)	36900 (10810)	34700 (10170)	32600 (9550)	30600 (8970)	28600 (8380)			
	25 (-3.9)	37000 (10840)	34900 (10230)	32900 (9640)	30900 (9060)	29000 (8500)	26900 (7880)	25000 (7330)			
	20 (-6.7)	33000 (9670)	31100 (9110)	29100 (8530)	27300 (8000)	25500 (7470)	23800 (6980)	22100 (6480)			
	15 (-9.4)	29300 (8590)	27600 (8090)	25900 (7590)	24200 (7090)	22600 (6620)	21000 (6150)	19400 (5690)			
	10 (-12.2)	26000 (7620)	24400 (7150)	22900 (6710)	21400 (6270)	19900 (5830)	18400 (5390)	16900 (4950)			
	5 (-15)	23000 (6740)	21600 (6330)	20200 (5920)	18800 (5510)	17300 (5070)	16000 (4690)	14700 (4310)			
	0 (-17.8)	20200 (5920)	18900 (5540)	17600 (5160)	16300 (4780)	15100 (4430)	13900 (4070)	12700 (3720)			
	-5 (-20.6)	16800 (4920)	15700 (4600)	14600 (4280)	13500 (3960)	12400 (3630)	11400 (3340)	10300 (3020)			
	-10 (-23.3)	14600 (4280)	13500 (3960)	12600 (3690)	11600 (3400)	10600 (3110)	9600 (2810)	8600 (2520)			
	-15 (-26.1)	12400 (3630)	11500 (3370)	10600 (3110)	9700 (2840)	8800 (2580)	7900 (2320)	6900 (2020)			
	-20 (-28.9)	10400 (3050)	9500 (2780)	8700 (2550)	7900 (2320)	7000 (2050)	6100 (1790)	5200 (1520)			
	-25 (-31.7)	8400 (2460)	7600 (2230)	6800 (1990)	6000 (1760)	5200 (1520)	4300 (1260)	3500 (1030)			
TQHA040E6  Compressor Model CS27K6E	30 (-1.1)	52200 (15300)	49600 (14540)	47000 (13770)	44200 (12950)	41700 (12220)	39200 (11490)	36700 (10760)			
	25 (-3.9)	47300 (13860)	44700 (13100)	42300 (12400)	40000 (11720)	37700 (11050)	35400 (10370)	33100 (9700)			
	20 (-6.7)	42400 (12430)	40200 (11780)	38000 (11140)	35900 (10520)	33800 (9910)	31700 (9290)	29300 (8590)			
	15 (-9.4)	37900 (11110)	35900 (10520)	33900 (9940)	31800 (9320)	29900 (8760)	28000 (8210)	26100 (7650)			
	10 (-12.2)	33400 (9790)	31600 (9260)	29900 (8760)	28200 (8260)	26400 (7740)	24700 (7240)	23000 (6740)			
	5 (-15)	29400 (8620)	27800 (8150)	26200 (7680)	24700 (7240)	23200 (6800)	21700 (6360)	20100 (5890)			
	0 (-17.8)	25600 (7500)	24200 (7090)	22800 (6680)	21500 (6300)	20100 (5890)	18700 (5480)	17300 (5070)			
	-5 (-20.6)	21000 (6150)	19800 (5800)	18600 (5450)	17500 (5130)	16400 (4810)	15300 (4480)	14200 (4160)			
	-10 (-23.3)	17800 (5220)	16800 (4920)	15800 (4630)	14900 (4370)	14000 (4100)	13000 (3810)	12100 (3550)			
	-15 (-26.1)	15000 (4400)	14100 (4130)	13300 (3900)	12500 (3660)	11800 (3460)	11000 (3220)	10200 (2990)			
	-20 (-28.9)	12400 (3630)	11700 (3430)	11100 (3250)	10500 (3080)	9900 (2900)	9200 (2700)	8600 (2520)			
	-25 (-31.7)	10200 (2990)	9600 (2810)	9100 (2670)	8700 (2550)	8200 (2400)	7700 (2260)	7200 (2110)			
TQHA050E6  Compressor Model CS33K6E	30 (-1.1)	55900 (16380)	53200 (15590)	50400 (14770)	47700 (13980)	45100 (13220)	42500 (12460)	39500 (11580)			
	25 (-3.9)	51300 (15030)	48800 (14300)	46300 (13570)	43900 (12870)	41100 (12050)	38700 (11340)	36300 (10640)			
	20 (-6.7)	46700 (13690)	44200 (12950)	42000 (12310)	39700 (11630)	37500 (10990)	35300 (10350)	33100 (9700)			
	15 (-9.4)	42000 (12310)	40000 (11720)	37900 (11110)	35900 (10520)	33900 (9940)	31900 (9350)	29900 (8760)			
	10 (-12.2)	37700 (11050)	35800 (10490)	34000 (9960)	32200 (9440)	30100 (8820)	28400 (8320)	26500 (7770)			
	5 (-15)	33400 (9790)	31600 (9260)	30000 (8790)	28400 (8320)	26700 (7820)	25100 (7360)	23500 (6890)			
	0 (-17.8)	29300 (8590)	27800 (8150)	26400 (7740)	24900 (7300)	23400 (6860)	22000 (6450)	20600 (6040)			
	-5 (-20.6)	24300 (7120)	23100 (6770)	21900 (6420)	20600 (6040)	19400 (5690)	18200 (5330)	16800 (4920)			
	-10 (-23.3)	21000 (6150)	20000 (5860)	18900 (5540)	17700 (5190)	16600 (4860)	15500 (4540)	14400 (4220)			
	-15 (-26.1)	18100 (5300)	17000 (4980)	16100 (4720)	15100 (4430)	14200 (4160)	13200 (3870)	12200 (3580)			
	-20 (-28.9)	15500 (4540)	14600 (4280)	13800 (4040)	12900 (3780)	12000 (3520)	11100 (3250)	10200 (2990)			
	-25 (-31.7)	13400 (3930)	12600 (3690)	11800 (3460)	11100 (3250)	10300 (3020)	9400 (2750)	8600 (2520)			

**CAPACITY DATA - R404A R507**  
**LOW TEMPERATURE**

MODEL	SATURATED SUCTION TEMP. F° (C°)	CAPACITY BTU/H (WATTS) <b>R404A R507</b> AMBIENT TEMPERATURE °F (°C)									
		80 (26.6)	85 (29.4)	90 (32.2)	95 (35.0)	100 (37.8)	105 (40.6)	110 (43.3)			
TQHA010L6 Compressor Model CF04K6E	10 (-12.2)	11800 (3458)	11170 (3274)	10520 (3083)	9850 (2887)	9160 (2685)	8440 (2474)	7720 (2263)			
	5 (-15.0)	10350 (3033)	9790 (2869)	9210 (2699)	8600 (2520)	7980 (2339)	7340 (2151)	6690 (1961)			
	0 (-17.8)	9020 (2644)	8520 (2497)	8000 (2345)	7460 (2186)	6900 (2022)	6330 (1855)	5740 (1682)			
	-5 (-20.6)	7800 (2286)	7350 (2154)	6890 (2019)	6420 (1882)	5920 (1735)	5420 (1588)	4890 (1433)			
	-10 (-23.3)	6690 (1961)	6300 (1846)	5890 (1726)	5460 (1600)	5030 (1474)	4590 (1345)	4130 (1210)			
	-15 (-26.1)	5680 (1665)	5330 (1562)	4980 (1459)	4600 (1348)	4220 (1237)	3830 (1122)	3440 (1008)			
	-20 (-28.9)	4780 (1401)	4470 (1310)	4150 (1216)	3820 (1120)	3500 (1026)	3160 (926)	2820 (826)			
	-25 (-31.7)	3960 (1161)	3690 (1081)	3410 (999)	3130 (917)	2840 (832)	2550 (747)	2270 (665)			
	-30 (-34.4)	3220 (944)	2980 (873)	2740 (803)	2490 (730)	2250 (659)	2010 (589)	1760 (516)			
TQHA020L6 Compressor Model CF06K6E	10 (-12.2)	17140 (5023)	16210 (4751)	15280 (4478)	14340 (4203)	13400 (3927)	12440 (3646)	11500 (3370)			
	5 (-15.0)	15410 (4516)	14560 (4267)	13710 (4018)	12850 (3766)	11990 (3514)	11120 (3259)	10260 (3007)			
	0 (-17.8)	13760 (4033)	12970 (3801)	12190 (3573)	11400 (3341)	10620 (3112)	9830 (2881)	9050 (2652)			
	-5 (-20.6)	12150 (3561)	11430 (3350)	10720 (3142)	10010 (2934)	9290 (2723)	8590 (2517)	7890 (2312)			
	-10 (-23.3)	10630 (3115)	9960 (2919)	9310 (2728)	8660 (2538)	8020 (2350)	7390 (2166)	6760 (1981)			
	-15 (-26.1)	9190 (2693)	8590 (2517)	7990 (2342)	7400 (2169)	6830 (2002)	6260 (1835)	5710 (1673)			
	-20 (-28.9)	7860 (2304)	7310 (2142)	6760 (1981)	6240 (1829)	5720 (1676)	5220 (1530)	4730 (1386)			
	-25 (-31.7)	6650 (1949)	6140 (1799)	5650 (1656)	5170 (1515)	4700 (1377)	4260 (1248)	3840 (1125)			
	-30 (-34.4)	5570 (1632)	5090 (1492)	4640 (1360)	4210 (1234)	3810 (1117)	3420 (1002)	3060 (897)			
TQHA025L6 Compressor Model CF09K6E	10 (-12.2)	22830 (6691)	21580 (6324)	20330 (5958)	19100 (5598)	17870 (5237)	16660 (4883)	15470 (4534)			
	5 (-15.0)	20700 (6067)	19530 (5724)	18390 (5390)	17250 (5055)	16120 (4724)	15000 (4396)	13900 (4074)			
	0 (-17.8)	18630 (5460)	17560 (5146)	16510 (4839)	15460 (4531)	14420 (4226)	13400 (3927)	12380 (3628)			
	-5 (-20.6)	16630 (4874)	15660 (4589)	14690 (4305)	13730 (4024)	12780 (3745)	11840 (3470)	10930 (3203)			
	-10 (-23.3)	14730 (4317)	13830 (4053)	12950 (3795)	12080 (3540)	11210 (3285)	10360 (3036)	9530 (2793)			
	-15 (-26.1)	12900 (3781)	12100 (3546)	11290 (3309)	10500 (3077)	9710 (2846)	8950 (2623)	8200 (2403)			
	-20 (-28.9)	11180 (3277)	10450 (3063)	9710 (2846)	9000 (2638)	8300 (2432)	7610 (2230)	6940 (2034)			
	-25 (-31.7)	9560 (2802)	8890 (2605)	8240 (2415)	7590 (2224)	6970 (2043)	6350 (1861)	5750 (1685)			
	-30 (-34.4)	8040 (2356)	7440 (2180)	6860 (2010)	6280 (1840)	5720 (1676)	5190 (1521)	4660 (1366)			
TQHA030L6 Compressor Model CF12K6E	10 (-12.2)	26700 (7825)	25200 (7385)	23700 (6946)	22210 (6509)	20730 (6075)	19260 (5645)	17810 (5220)			
	5 (-15.0)	24330 (7130)	22940 (6723)	21570 (6322)	20190 (5917)	18840 (5521)	17490 (5126)	16160 (4736)			
	0 (-17.8)	22040 (6459)	20780 (6090)	19520 (5721)	18270 (5354)	17020 (4988)	15790 (4628)	14570 (4270)			
	-5 (-20.6)	19870 (5823)	18710 (5483)	17570 (5149)	16420 (4812)	15280 (4478)	14160 (4150)	13060 (3828)			
	-10 (-23.3)	17780 (5211)	16730 (4903)	15680 (4595)	14640 (4291)	13610 (3989)	12590 (3690)	11580 (3394)			
	-15 (-26.1)	15770 (4622)	14830 (4346)	13870 (4065)	12930 (3789)	11980 (3511)	11060 (3241)	10150 (2975)			
	-20 (-28.9)	13860 (4062)	12990 (3807)	12130 (3555)	11270 (3303)	10410 (3051)	9570 (2805)	8750 (2564)			
	-25 (-31.7)	12010 (3520)	11220 (3288)	10440 (3060)	9650 (2828)	8860 (2597)	8100 (2374)	7350 (2154)			
	-30 (-34.4)	10240 (3001)	9510 (2787)	8790 (2576)	8050 (2359)	7340 (2151)	6640 (1946)	5940 (1741)			



MODEL	SATURATED SUCTION TEMP. ° F ° C	CAPACITY BTU/H (WATTS) <b>R407C</b> AMBIENT TEMPERATURE ° F (° C)								
		80 (26.6)	85 (29.4)	90 (32.2)	95 (35.0)	100 (37.8)	105 (40.6)	110 (43.3)		
TQHT015H7 Compressor Model AWG5520WX	45 (7.2)	21100 (6180)	20300 (5950)	19500 (5710)	18700 (5480)	17800 (5220)	16800 (4920)	15800 (4630)		
	40 (4.4)	19000 (5570)	18300 (5360)	17600 (5160)	16900 (4950)	16100 (4720)	15200 (4450)	14300 (4190)		
	35 (1.7)	16900 (4950)	16300 (4780)	15600 (4570)	15000 (4400)	14300 (4190)	13600 (3990)	12800 (3750)		
	30 (-1.1)	14800 (4340)	14300 (4190)	13800 (4040)	13200 (3870)	12600 (3690)	11900 (3490)	11200 (3280)		
	25 (-3.9)	13000 (3810)	12500 (3660)	12000 (3520)	11500 (3370)	11000 (3220)	10400 (3050)	9710 (2850)		
	20 (-6.7)	11400 (3340)	10900 (3190)	10500 (3080)	10000 (2930)	9510 (2790)	8960 (2630)	8330 (2440)		
	15 (-9.4)	10100 (2960)	9630 (2820)	9190 (2690)	8740 (2560)	8250 (2420)	7720 (2260)	7120 (2090)		
10 (-12.2)	9110 (2670)	8660 (2540)	8210 (2410)	7760 (2270)	7280 (2130)	6740 (1980)	6140 (1800)			
TQHT020H7 Compressor Model AWG5524WX	45 (7.2)	25500 (7470)	24600 (7210)	23600 (6920)	22500 (6590)	21500 (6300)	20400 (5980)	19300 (5660)		
	40 (4.4)	23000 (6740)	22100 (6480)	21200 (6210)	20300 (5950)	19300 (5660)	18400 (5390)	17400 (5100)		
	35 (1.7)	20500 (6010)	19700 (5770)	18900 (5540)	18000 (5280)	17100 (5010)	16300 (4780)	15400 (4510)		
	30 (-1.1)	18100 (5300)	17400 (5100)	16600 (4860)	15800 (4630)	15000 (4400)	14200 (4160)	13400 (3930)		
	25 (-3.9)	15900 (4660)	15200 (4450)	14500 (4250)	13700 (4020)	12900 (3780)	12200 (3580)	11400 (3340)		
	20 (-6.7)	13900 (4070)	13200 (3870)	12500 (3660)	11700 (3430)	11000 (3220)	10200 (2990)	9530 (2790)		
	15 (-9.4)	12200 (3580)	11500 (3370)	10700 (3140)	9940 (2910)	9190 (2690)	8450 (2480)	7770 (2280)		
10 (-12.2)	10700 (3140)	9980 (2920)	9190 (2690)	8400 (2460)	7620 (2230)	6880 (2020)	6180 (1810)			
TQHT025H7 Compressor Model AWG5530WX	45 (7.2)	30500 (8940)	29600 (8670)	28500 (8350)	27400 (8030)	26200 (7680)	25000 (7330)	23800 (6980)		
	40 (4.4)	27700 (8120)	26800 (7850)	25900 (7590)	24800 (7270)	23700 (6950)	22600 (6620)	21500 (6300)		
	35 (1.7)	25000 (7330)	24300 (7120)	23400 (6860)	22500 (6590)	21400 (6270)	20400 (5980)	19400 (5690)		
	30 (-1.1)	22600 (6620)	22000 (6450)	21200 (6210)	20300 (5950)	19300 (5660)	18400 (5390)	17400 (5100)		
	25 (-3.9)	20300 (5950)	19700 (5770)	19000 (5570)	18200 (5330)	17300 (5070)	16400 (4810)	15500 (4540)		
	20 (-6.7)	18000 (5280)	17500 (5130)	16900 (4950)	16100 (4720)	15300 (4480)	14500 (4250)	13700 (4020)		
	15 (-9.4)	15700 (4600)	15300 (4480)	14700 (4310)	14000 (4100)	13300 (3900)	12500 (3660)	11800 (3460)		
10 (-12.2)	13400 (3930)	13100 (3840)	12500 (3660)	11900 (3490)	11200 (3280)	10500 (3080)	9800 (2870)			
TQHT030H7 Compressor Model AVA5538WX	45 (7.2)	38700 (11340)	37200 (10900)	35600 (10430)	34000 (9960)	32400 (9500)	30800 (9030)	29100 (8530)		
	40 (4.4)	35200 (10320)	33800 (9910)	32400 (9500)	31000 (9090)	29500 (8650)	28000 (8210)	26500 (7770)		
	35 (1.7)	31800 (9320)	30500 (8940)	29200 (8560)	27900 (8180)	26600 (7800)	25200 (7390)	23800 (6980)		
	30 (-1.1)	28400 (8320)	27200 (7970)	26100 (7650)	24900 (7300)	23700 (6950)	22400 (6560)	21200 (6210)		
	25 (-3.9)	25200 (7390)	24100 (7060)	23100 (6770)	22000 (6450)	20900 (6130)	19700 (5770)	18600 (5450)		
	20 (-6.7)	22200 (6510)	21200 (6210)	20200 (5920)	19200 (5630)	18200 (5330)	17100 (5010)	16100 (4720)		
	15 (-9.4)	19400 (5690)	18500 (5420)	17600 (5160)	16600 (4860)	15700 (4600)	14700 (4310)	13700 (4020)		
10 (-12.2)	16900 (4950)	16100 (4720)	15200 (4450)	14300 (4190)	13400 (3930)	12500 (3660)	11600 (3400)			
TQHT035H7 Compressor Model AVA5542WX	45 (7.2)	48200 (14130)	45400 (13310)	42900 (12570)	40500 (11870)	38300 (11220)	36400 (10670)	34500 (10110)		
	40 (4.4)	43100 (12630)	40600 (11900)	38200 (11200)	36100 (10580)	34200 (10020)	32400 (9500)	30700 (9000)		
	35 (1.7)	38200 (11200)	35900 (10520)	33800 (9910)	31900 (9350)	30100 (8820)	28500 (8350)	27000 (7910)		
	30 (-1.1)	33500 (9820)	31400 (9200)	29600 (8670)	27900 (8180)	26400 (7740)	25000 (7330)	23600 (6920)		
	25 (-3.9)	29200 (8560)	27300 (8000)	25700 (7530)	24200 (7090)	22900 (6710)	21700 (6360)	20500 (6010)		
	20 (-6.7)	25200 (7390)	23600 (6920)	22200 (6510)	21000 (6150)	19900 (5830)	18900 (5540)	17900 (5250)		
	15 (-9.4)	21800 (6390)	20500 (6010)	19300 (5660)	18300 (5360)	17400 (5100)	16500 (4840)	15700 (4600)		
10 (-12.2)	19100 (5600)	18000 (5280)	17100 (5010)	16300 (4780)	15500 (4540)	14800 (4340)	14100 (4130)			
TQHT040H7 Compressor Model AGA5553WX	45 (7.2)	56100 (16440)	53800 (15770)	51400 (15060)	48900 (14330)	46400 (13600)	43900 (12870)	41400 (12130)		
	40 (4.4)	50200 (14710)	48100 (14100)	45900 (13450)	43700 (12810)	41400 (12130)	39100 (11460)	36800 (10780)		
	35 (1.7)	44600 (13070)	42800 (12540)	40800 (11960)	38800 (11370)	36800 (10780)	34700 (10170)	32500 (9520)		
	30 (-1.1)	39400 (11550)	37800 (11080)	36100 (10580)	34300 (10050)	32400 (9500)	30500 (8940)	28600 (8380)		
	25 (-3.9)	34600 (10140)	33300 (9760)	31700 (9290)	30100 (8820)	28400 (8320)	26700 (7820)	24900 (7300)		
	20 (-6.7)	30300 (8880)	29100 (8530)	27700 (8120)	26300 (7710)	24700 (7240)	23100 (6770)	21500 (6300)		
	15 (-9.4)	26300 (7710)	25300 (7410)	24100 (7060)	22800 (6680)	21400 (6270)	19900 (5830)	18400 (5390)		
10 (-12.2)	22700 (6650)	21800 (6390)	20800 (6100)	19600 (5740)	18300 (5360)	17000 (4980)	15600 (4570)			
TQHT045H7 Compressor Model AGA5561WX	45 (7.2)	63400 (18580)	60400 (17700)	57400 (16820)	54500 (15970)	51700 (15150)	48900 (14330)	46300 (13570)		
	40 (4.4)	57300 (16790)	54600 (16000)	51900 (15210)	49300 (14450)	46700 (13690)	44200 (12950)	41800 (12250)		
	35 (1.7)	51500 (15090)	49000 (14360)	46600 (13660)	44200 (12950)	41900 (12280)	39600 (11610)	37400 (10960)		
	30 (-1.1)	46000 (13480)	43700 (12810)	41500 (12160)	39300 (11520)	37200 (10900)	35100 (10290)	33100 (9700)		
	25 (-3.9)	40800 (11960)	38700 (11340)	36700 (10760)	34700 (10170)	32700 (9580)	30800 (9030)	28900 (8470)		
	20 (-6.7)	36000 (10550)	34100 (9990)	32300 (9470)	30400 (8910)	28500 (8350)	26700 (7820)	25000 (7330)		
	15 (-9.4)	31700 (9290)	30000 (8790)	28200 (8260)	26400 (7740)	24700 (7240)	22900 (6710)	21200 (6210)		
10 (-12.2)	27900 (8180)	26300 (7710)	24600 (7210)	22900 (6710)	21200 (6210)	19500 (5710)	17800 (5220)			
TQHT050H7 Compressor Model AGA5568WX	45 (7.2)	66900 (19610)	64600 (18930)	62200 (18230)	59900 (17550)	57500 (16850)	55000 (16120)	52500 (15390)		
	40 (4.4)	60400 (17700)	58300 (17090)	56200 (16470)	54000 (15830)	51700 (15150)	49400 (14480)	47000 (13770)		
	35 (1.7)	54100 (15860)	52300 (15330)	50400 (14770)	48400 (14180)	46300 (13570)	44100 (12920)	41800 (12250)		
	30 (-1.1)	48100 (14100)	46600 (13660)	45000 (13190)	43200 (12660)	41300 (12100)	39200 (11490)	37000 (10840)		
	25 (-3.9)	42500 (12460)	41300 (12100)	39900 (11690)	38400 (11250)	36700 (10760)	34800 (10200)	32700 (9580)		
	20 (-6.7)	37300 (10930)	36400 (10670)	35300 (10350)	34000 (9960)	32500 (9520)	30800 (9030)	28900 (8470)		
	15 (-9.4)	32500 (9520)	32000 (9380)	31200 (9140)	30200 (8850)	28900 (8470)	27400 (8030)	25600 (7500)		
10 (-12.2)	28200 (8260)	28100 (8240)	27600 (8090)	26800 (7850)	25800 (7560)	24400 (7150)	22800 (6680)			

**NOTE:** The capacities shown above are rated at dew point. The dew point is a saturation point and is the condition (pressure and temperature) at which a gas begins to condense. Since R407C has significant glide, the saturated gas and saturated liquid temperatures are not the same. It is important that all components of a system are selected correctly

**CAPACITY DATA - R404A R507**  
**MEDIUM TEMPERATURE**

CONDENSING UNIT MODEL	SATURATED SUCTION TEMPERATURE		CAPACITY BTU/H (WATTS) R404A R507 AMBIENT TEMPERATURE °F (°C)							
	° F	° C	80 (26.6)	85 (29.4)	90 (32.2)	95 (35)	100 (37.8)	105 (40.6)	110 (43.3)	
	<b>TQHT010M6</b>	30 (-1.1)	12700 (3720)	12200 (3580)	11600 (3400)	11000 (3220)	10400 (3050)	9860 (2890)	9280 (2720)	8660 (2530)
Compressor Model AKA9462ZX	25 (-3.9)	11500 (3370)	11000 (3220)	10500 (3080)	9940 (2910)	9410 (2760)	8860 (2600)	8320 (2440)	7740 (2280)	7180 (2120)
	20 (-6.7)	10400 (3050)	9930 (2910)	9450 (2770)	8950 (2620)	8440 (2470)	7940 (2330)	7430 (2180)	6940 (2030)	6460 (1880)
	15 (-9.4)	9380 (2750)	8930 (2620)	8470 (2480)	8010 (2350)	7550 (2210)	7080 (2070)	6600 (1930)	6140 (1790)	5690 (1650)
	10 (-12.2)	8380 (2460)	7970 (2340)	7550 (2210)	7120 (2090)	6690 (1960)	6260 (1830)	5830 (1710)	5420 (1590)	5010 (1470)
	5 (-15)	7400 (2170)	7020 (2060)	6650 (1950)	6250 (1830)	5850 (1710)	5460 (1600)	5060 (1480)	4670 (1370)	4290 (1260)
	0 (-17.8)	6430 (1880)	6090 (1780)	5730 (1680)	5380 (1580)	5020 (1470)	4650 (1360)	4280 (1250)	3920 (1140)	3570 (1030)
<b>TQHT015M6</b>	30 (-1.1)	19600 (5740)	18500 (5420)	17400 (5100)	16400 (4810)	15300 (4480)	14200 (4160)	13100 (3840)	12000 (3520)	10900 (3180)
Compressor Model AWA9490ZX	25 (-3.9)	17700 (5190)	16700 (4890)	15800 (4630)	14800 (4340)	13800 (4040)	12800 (3750)	11800 (3460)	10800 (3160)	9800 (2860)
	20 (-6.7)	15900 (4660)	15000 (4400)	14100 (4130)	13200 (3870)	12300 (3600)	11400 (3340)	10600 (3110)	9820 (2880)	9040 (2650)
	15 (-9.4)	14100 (4130)	13300 (3900)	12500 (3660)	11700 (3430)	10900 (3190)	10100 (2960)	9320 (2730)	8560 (2500)	7800 (2270)
	10 (-12.2)	12400 (3630)	11700 (3430)	11000 (3220)	10200 (2990)	9500 (2780)	8800 (2580)	8120 (2380)	7460 (2180)	6800 (1980)
	5 (-15)	10900 (3190)	10200 (2990)	9540 (2800)	8870 (2600)	8230 (2410)	7590 (2220)	6980 (2050)	6380 (1880)	5780 (1710)
	0 (-17.8)	9570 (2800)	8910 (2610)	8280 (2430)	7680 (2250)	7080 (2070)	6510 (1910)	5950 (1740)	5380 (1580)	4820 (1420)
<b>TQHT020M6</b>	30 (-1.1)	22000 (6450)	20900 (6130)	19900 (5830)	18800 (5510)	17700 (5190)	16600 (4860)	15600 (4570)	14600 (4270)	13600 (3970)
Compressor Model AWA7512ZX	25 (-3.9)	20000 (5860)	19000 (5570)	18000 (5280)	17000 (4980)	16000 (4690)	15000 (4400)	14000 (4100)	13000 (3800)	12000 (3500)
	20 (-6.7)	18000 (5280)	17100 (5010)	16200 (4750)	15200 (4450)	14300 (4190)	13400 (3930)	12500 (3660)	11600 (3390)	10700 (3120)
	15 (-9.4)	16100 (4720)	15300 (4480)	14400 (4220)	13600 (3990)	12700 (3720)	11900 (3490)	11100 (3250)	10300 (3010)	9500 (2770)
	10 (-12.2)	14300 (4190)	13500 (3960)	12800 (3750)	12000 (3520)	11200 (3280)	10500 (3080)	9700 (2840)	9000 (2600)	8200 (2360)
	5 (-15)	12600 (3690)	11900 (3490)	11200 (3280)	10500 (3080)	9800 (2870)	9100 (2670)	8410 (2460)	7720 (2250)	7030 (2040)
	0 (-17.8)	11000 (3220)	10400 (3050)	9740 (2850)	9100 (2670)	8460 (2480)	7830 (2290)	7200 (2110)	6570 (1920)	5940 (1730)
<b>TQHT025M6</b>	30 (-1.1)	26100 (7650)	24900 (7300)	23800 (6980)	22600 (6620)	21400 (6270)	20200 (5920)	19000 (5570)	17800 (5220)	16600 (4860)
Compressor Model AWA7515ZX	25 (-3.9)	23900 (7000)	22900 (6710)	21800 (6390)	20700 (6070)	19600 (5740)	18500 (5420)	17400 (5100)	16300 (4780)	15200 (4460)
	20 (-6.7)	21800 (6390)	20800 (6100)	19800 (5800)	18800 (5510)	17800 (5220)	16800 (4920)	15800 (4630)	14800 (4340)	13800 (4050)
	15 (-9.4)	19700 (5770)	18800 (5510)	17900 (5250)	17000 (4980)	16100 (4720)	15100 (4430)	14200 (4160)	13200 (3890)	12200 (3620)
	10 (-12.2)	17700 (5190)	16800 (4920)	16000 (4690)	15200 (4450)	14300 (4190)	13500 (3960)	12600 (3690)	11700 (3420)	10800 (3150)
	5 (-15)	15700 (4600)	15000 (4400)	14200 (4160)	13400 (3930)	12700 (3720)	11900 (3490)	11100 (3250)	10300 (3010)	9500 (2770)
	0 (-17.8)	13900 (4070)	13200 (3870)	12500 (3660)	11800 (3460)	11100 (3250)	10300 (3020)	9610 (2820)	8920 (2610)	8230 (2400)
<b>TQHT030M6</b>	30 (-1.1)	33600 (9850)	31900 (9350)	30300 (8880)	28600 (8380)	26900 (7880)	25200 (7390)	23500 (6890)	21800 (6400)	20100 (5900)
Compressor Model AVA9519ZX	25 (-3.9)	30600 (8970)	29000 (8500)	27400 (8030)	25800 (7560)	24200 (7090)	22600 (6620)	21100 (6180)	19600 (5710)	18100 (5240)
	20 (-6.7)	28000 (8210)	26500 (7770)	24900 (7300)	23400 (6860)	21900 (6420)	20400 (5980)	18900 (5540)	17400 (5100)	15900 (4660)
	15 (-9.4)	25800 (7560)	24300 (7120)	22800 (6680)	21300 (6240)	19800 (5800)	18400 (5390)	17000 (4980)	15600 (4570)	14200 (4160)
	10 (-12.2)	23800 (6980)	22300 (6540)	20900 (6130)	19400 (5690)	18000 (5280)	16600 (4860)	15200 (4450)	13800 (4050)	12400 (3640)
	5 (-15)	22000 (6450)	20500 (6010)	19000 (5570)	17600 (5160)	16200 (4750)	14800 (4340)	13500 (3960)	12200 (3550)	10900 (3140)
	0 (-17.8)	20300 (5950)	18800 (5510)	17300 (5070)	15800 (4630)	14400 (4220)	13000 (3810)	11700 (3430)	10400 (3040)	9100 (2650)
<b>TQHT035M6</b>	30 (-1.1)	41900 (12280)	39900 (11690)	37800 (11080)	35800 (10490)	33700 (9880)	31700 (9290)	29700 (8700)	27700 (8110)	25700 (7520)
Compressor Model AVA9522ZX	25 (-3.9)	37700 (11050)	35800 (10490)	33900 (9940)	32100 (9410)	30200 (8850)	28400 (8320)	26500 (7770)	24600 (7230)	22700 (6680)
	20 (-6.7)	33800 (9910)	32100 (9410)	30400 (8910)	28700 (8410)	27000 (7910)	25300 (7410)	23600 (6920)	21900 (6420)	20200 (5930)
	15 (-9.4)	30100 (8820)	28600 (8380)	27000 (7910)	25500 (7470)	24000 (7030)	22500 (6590)	21000 (6150)	19500 (5710)	18000 (5270)
	10 (-12.2)	26800 (7850)	25400 (7440)	24000 (7030)	22600 (6620)	21200 (6210)	19800 (5800)	18500 (5420)	17200 (5010)	15900 (4600)
	5 (-15)	23700 (6950)	22400 (6560)	21100 (6180)	19800 (5800)	18600 (5450)	17400 (5100)	16200 (4750)	15000 (4400)	13800 (4050)
	0 (-17.8)	20800 (6100)	19600 (5740)	18500 (5420)	17300 (5070)	16200 (4750)	15100 (4430)	14000 (4100)	12900 (3780)	11800 (3460)
<b>TQHT036M6</b>	30 (-1.1)	44800 (13130)	42500 (12460)	40300 (11810)	38200 (11200)	36100 (10580)	34000 (9960)	31900 (9350)	29800 (8740)	27700 (8130)
Compressor Model AVA7524ZX	25 (-3.9)	40700 (11930)	38700 (11340)	36600 (10730)	34700 (10170)	32700 (9580)	30800 (9030)	28900 (8470)	27000 (7910)	25100 (7350)
	20 (-6.7)	36900 (10810)	35000 (10260)	33100 (9700)	31300 (9170)	29500 (8650)	27800 (8150)	26100 (7650)	24400 (7150)	22700 (6650)
	15 (-9.4)	33200 (9730)	31400 (9200)	29700 (8700)	28100 (8240)	26500 (7770)	24900 (7300)	23300 (6830)	21700 (6370)	20100 (5910)
	10 (-12.2)	29700 (8700)	28100 (8240)	26500 (7770)	25000 (7330)	23500 (6890)	22100 (6480)	20700 (6070)	19300 (5660)	17900 (5250)
	5 (-15)	26300 (7710)	24900 (7300)	23500 (6890)	22100 (6480)	20700 (6070)	19400 (5690)	18100 (5300)	16800 (4910)	15500 (4520)
	0 (-17.8)	23200 (6800)	21900 (6420)	20600 (6040)	19300 (5660)	18100 (5300)	16900 (4950)	15700 (4600)	14500 (4250)	13300 (3900)
<b>TQHT040M6</b>	30 (-1.1)	51500 (15090)	49200 (14420)	46900 (13740)	44500 (13040)	42200 (12370)	39800 (11660)	37500 (10990)	35200 (10320)	32900 (9650)
Compressor Model AVA9528ZX	25 (-3.9)	46400 (13600)	44200 (12950)	42000 (12310)	39900 (11690)	37700 (11050)	35500 (10400)	33300 (9760)	31100 (9120)	28900 (8480)
	20 (-6.7)	41700 (12220)	39600 (11610)	37600 (11020)	35600 (10430)	33600 (9850)	31600 (9260)	29500 (8650)	27400 (8060)	25300 (7470)
	15 (-9.4)	37300 (10930)	35400 (10370)	33600 (9850)	31700 (9290)	29800 (8730)	28000 (8210)	26200 (7680)	24400 (7160)	22600 (6640)
	10 (-12.2)	33300 (9760)	31600 (9260)	29900 (8760)	28100 (8240)	26400 (7740)	24800 (7270)	23100 (6770)	21400 (6270)	19700 (5770)
	5 (-15)	29600 (8670)	28000 (8210)	26400 (7740)	24900 (7300)	23300 (6830)	21800 (6390)	20400 (5980)	18900 (5570)	17400 (5160)
	0 (-17.8)	26100 (7650)	24700 (7240)	23200 (6800)	21800 (6390)	20500 (6010)	19100 (5600)	17900 (5250)	16600 (4860)	15400 (4510)

table continues on next page >>>

**CAPACITY DATA - R404A R507**  
**MEDIUM TEMPERATURE (cont'd)**

CONDENSING UNIT MODEL	SATURATED SUCTION TEMPERATURE		CAPACITY BTU/H (WATTS) R404A R507							AMBIENT TEMPERATURE °F (°C)	
	° F	° C	80 (26.6)	85 (29.4)	90 (32.2)	95 (35)	100 (37.8)	105 (40.6)	110 (43.3)		
TQHT050M6 Compressor Model AGA9530ZX	30 (-1.1)		55500 (16270)	52800 (15470)	50000 (14650)	47300 (13860)	44500 (13040)	41800 (12250)	39000 (11430)		
	25 (-3.9)		50500 (14800)	48000 (14070)	45400 (13310)	42900 (12570)	40300 (11810)	37800 (11080)	35200 (10320)		
	20 (-6.7)		45700 (13390)	43300 (12690)	40900 (11990)	38500 (11280)	36200 (10610)	33800 (9910)	31500 (9230)		
	15 (-9.4)		41000 (12020)	38800 (11370)	36600 (10730)	34400 (10080)	32200 (9440)	30000 (8790)	27900 (8180)		
	10 (-12.2)		36600 (10730)	34500 (10110)	32400 (9500)	30400 (8910)	28400 (8320)	26400 (7740)	24400 (7150)		
	5 (-15)		32500 (9520)	30600 (8970)	28600 (8380)	26700 (7820)	24800 (7270)	23000 (6740)	21200 (6210)		
0 (-17.8)		28900 (8470)	27000 (7910)	25100 (7360)	23400 (6860)	21600 (6330)	19900 (5830)	18300 (5360)			
TQHT060M6 Compressor Model AGA9534ZX	30 (-1.1)		62600 (18350)	59500 (17440)	56400 (16530)	53400 (15650)	50300 (14740)	47200 (13830)	44200 (12950)		
	25 (-3.9)		57300 (16790)	54500 (15970)	51700 (15150)	48900 (14330)	46100 (13510)	43300 (12690)	40500 (11870)		
	20 (-6.7)		51300 (15030)	48700 (14270)	46200 (13540)	43600 (12780)	41100 (12050)	38600 (11310)	36000 (10550)		
	15 (-9.4)		44800 (13130)	42600 (12480)	40300 (11810)	38100 (11170)	35800 (10490)	33600 (9850)	31300 (9170)		
	10 (-12.2)		38600 (11310)	36700 (10760)	34800 (10200)	32800 (9610)	30900 (9060)	28900 (8470)	27000 (7910)		
	5 (-15)		33300 (9760)	31700 (9290)	30100 (8820)	28500 (8350)	26900 (7880)	25300 (7410)	23700 (6950)		
0 (-17.8)		29600 (8670)	28400 (8320)	27200 (7970)	25900 (7590)	24700 (7240)	23500 (6890)	22200 (6510)			

**CAPACITY DATA - R404A R507**  
**LOW TEMPERATURE**

CONDENSING UNIT MODEL	SATURATED SUCTION TEMPERATURE		CAPACITY BTU/H (WATTS) R404A R507							AMBIENT TEMPERATURE °F (°C)	
	° F	° C	80 (26.6)	85 (29.4)	90 (32.2)	95 (35)	100 (37.8)	105 (40.6)	110 (43.3)		
TQHT010L6 Compressor Model AWA2440ZX	0 (-17.8)		9540 (2800)	8940 (2620)	8320 (2440)	7700 (2260)	7080 (2070)	6460 (1890)	5840 (1710)		
	-5 (-20.6)		8380 (2460)	7820 (2290)	7260 (2130)	6700 (1960)	6140 (1800)	5580 (1640)	5020 (1470)		
	-10 (-23.3)		7270 (2130)	6750 (1980)	6250 (1830)	5740 (1680)	5240 (1540)	4740 (1390)	4230 (1240)		
	-15 (-26.1)		6200 (1820)	5740 (1680)	5290 (1550)	4840 (1420)	4400 (1290)	3950 (1160)	3510 (1030)		
	-20 (-28.9)		5180 (1520)	4790 (1400)	4400 (1290)	4010 (1180)	3610 (1060)	3220 (940)	2840 (830)		
	-25 (-31.7)		4240 (1240)	3910 (1150)	3570 (1050)	3230 (950)	2900 (850)	2570 (750)	2240 (660)		
-30 (-34.4)		3380 (990)	3100 (910)	2820 (830)	2550 (750)	2270 (670)	2000 (590)	1720 (500)			
TQHT011L6 Compressor Model AWA2450ZX	0 (-17.8)		11100 (3250)	10400 (3050)	9660 (2830)	8960 (2630)	8260 (2420)	7570 (2220)	6900 (2020)		
	-5 (-20.6)		9750 (2860)	9100 (2670)	8440 (2470)	7790 (2280)	7150 (2100)	6520 (1910)	5910 (1730)		
	-10 (-23.3)		8480 (2490)	7880 (2310)	7280 (2130)	6690 (1960)	6100 (1790)	5520 (1620)	4970 (1460)		
	-15 (-26.1)		7280 (2130)	6720 (1970)	6170 (1810)	5640 (1650)	5100 (1490)	4590 (1350)	4080 (1200)		
	-20 (-28.9)		6140 (1800)	5640 (1650)	5150 (1510)	4660 (1370)	4190 (1230)	3730 (1090)	3280 (960)		
	-25 (-31.7)		5090 (1490)	4650 (1360)	4210 (1230)	3770 (1100)	3350 (980)	2940 (860)	2540 (740)		
-30 (-34.4)		4150 (1220)	3750 (1100)	3360 (980)	2980 (870)	2610 (760)	2250 (660)	1910 (560)			
TQHT020L6 Compressor Model AWA2460ZX	0 (-17.8)		13700 (4020)	12900 (3780)	12000 (3520)	11100 (3250)	10200 (2990)	9390 (2750)	8540 (2500)		
	-5 (-20.6)		12100 (3550)	11400 (3340)	10600 (3110)	9800 (2870)	8990 (2630)	8180 (2400)	7390 (2170)		
	-10 (-23.3)		10700 (3140)	9980 (2920)	9260 (2710)	8540 (2500)	7790 (2280)	7060 (2070)	6330 (1860)		
	-15 (-26.1)		9240 (2710)	8640 (2530)	8010 (2350)	7350 (2150)	6680 (1960)	6010 (1760)	5330 (1560)		
	-20 (-28.9)		7900 (2320)	7380 (2160)	6830 (2000)	6240 (1830)	5630 (1650)	5020 (1470)	4420 (1300)		
	-25 (-31.7)		6620 (1940)	6180 (1810)	5700 (1670)	5200 (1520)	4660 (1370)	4120 (1210)	3580 (1050)		
-30 (-34.4)		5400 (1580)	5050 (1480)	4650 (1360)	4220 (1240)	3760 (1100)	3290 (960)	2800 (820)			
TQHT025L6 Compressor Model AVA2490ZX	0 (-17.8)		18800 (5510)	17700 (5190)	16500 (4840)	15400 (4510)	14300 (4190)	13200 (3870)	12100 (3550)		
	-5 (-20.6)		16700 (4890)	15700 (4600)	14700 (4310)	13700 (4020)	12600 (3690)	11600 (3400)	10600 (3110)		
	-10 (-23.3)		14600 (4280)	13800 (4040)	12900 (3780)	12000 (3520)	11100 (3250)	10200 (2990)	9270 (2720)		
	-15 (-26.1)		12800 (3750)	12000 (3520)	11300 (3310)	10500 (3080)	9650 (2830)	8820 (2580)	8010 (2350)		
	-20 (-28.9)		11000 (3220)	10400 (3050)	9720 (2850)	9020 (2640)	8300 (2430)	7560 (2220)	6840 (2000)		
	-25 (-31.7)		9320 (2730)	8830 (2590)	8270 (2420)	7670 (2250)	7040 (2060)	6380 (1870)	5730 (1680)		
-30 (-34.4)		7770 (2280)	7380 (2160)	6920 (2030)	6410 (1880)	5850 (1710)	5270 (1540)	4700 (1380)			
TQHT030L6 Compressor Model AVA2512ZX	0 (-17.8)		22800 (6680)	21400 (6270)	20000 (5860)	18600 (5450)	17200 (5040)	15800 (4630)	14500 (4250)		
	-5 (-20.6)		20400 (5980)	19200 (5630)	17900 (5250)	16600 (4860)	15300 (4480)	14100 (4130)	12900 (3780)		
	-10 (-23.3)		18100 (5300)	17000 (4980)	15800 (4630)	14700 (4310)	13500 (3960)	12400 (3630)	11300 (3310)		
	-15 (-26.1)		15900 (4660)	14900 (4370)	13900 (4070)	12900 (3780)	11900 (3490)	10800 (3170)	9830 (2880)		
	-20 (-28.9)		13800 (4040)	13000 (3810)	12100 (3550)	11200 (3280)	10300 (3020)	9330 (2730)	8430 (2470)		
	-25 (-31.7)		11800 (3460)	11100 (3250)	10400 (3050)	9580 (2810)	8750 (2560)	7930 (2320)	7110 (2080)		
-30 (-34.4)		9920 (2910)	9370 (2750)	8730 (2560)	8040 (2360)	7320 (2150)	6580 (1930)	5860 (1720)			



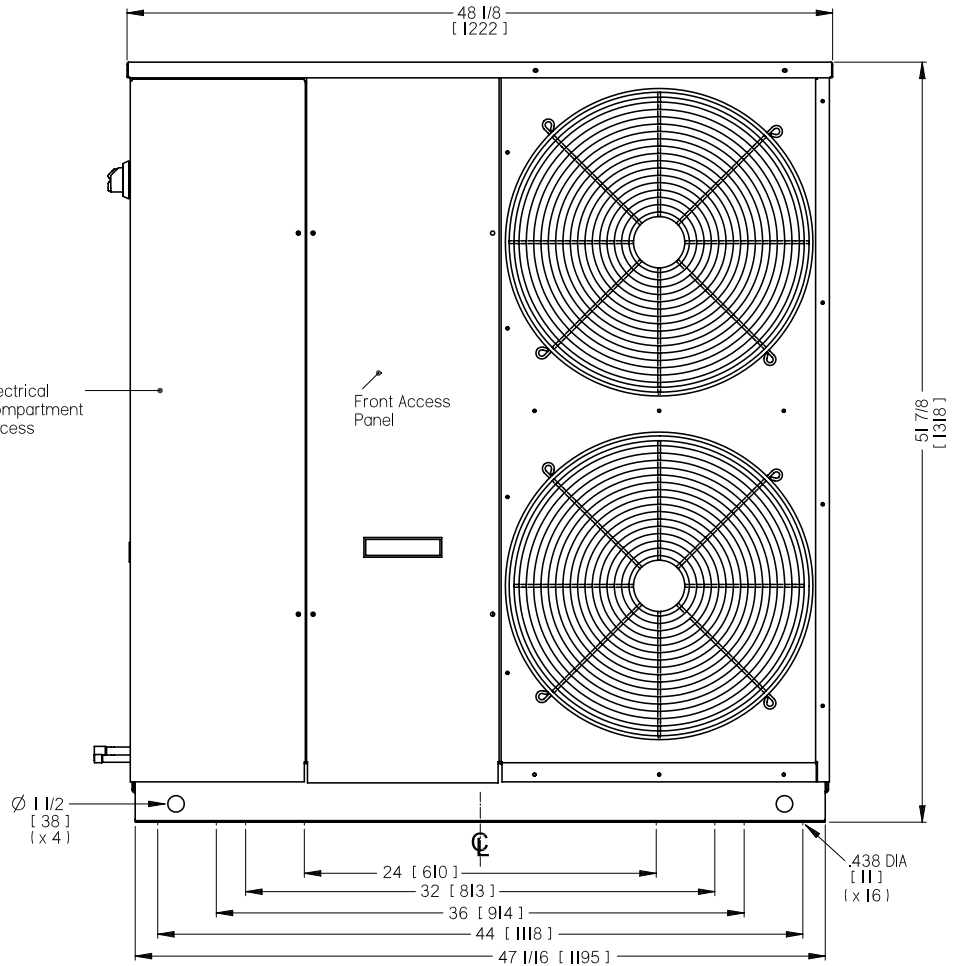
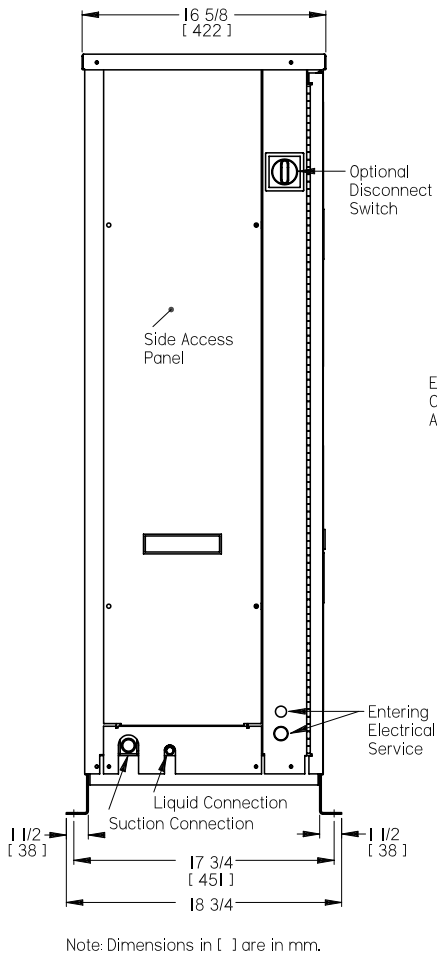
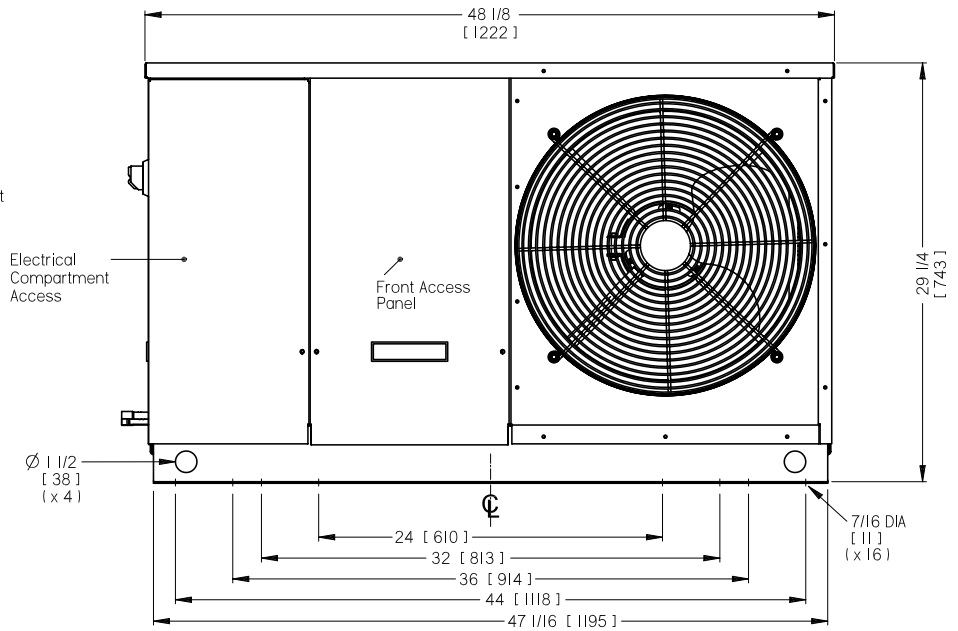
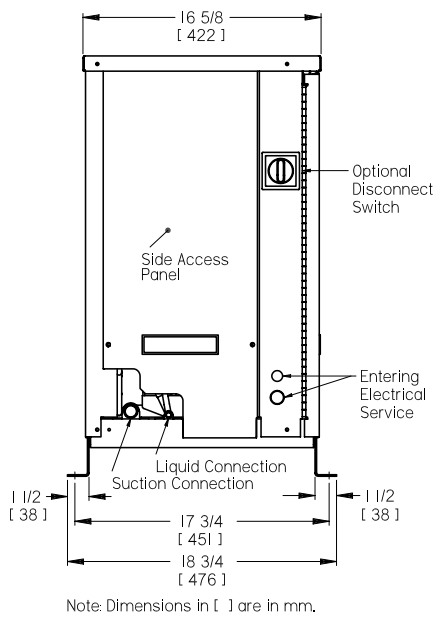
**WITH STANDARD EC FAN MOTOR**

CONDENSING UNIT MODEL	COMPRESSOR MODEL NO.	POWER SUPPLY	COMPRESSOR		EC CONDENSER FAN MOTOR			UNIT		
			RLA	LRA	QTY	WATTS	FLA	MCA	MOP	
TQHA015H7-H	S2A	CR18K6E-PFV	208-230/1/60	9.4	49	1	165	1.7	13.5	20
	T3A	CR18K6E-TF5	208-230/3/60	5.4	49	1	165	1.7	8.5	15
TQHA020H7-H	S2A	CR24K6E-PFV	208-230/1/60	11.2	61	1	165	1.7	15.7	25
	T3A	CR24K6E-TF5	208-230/3/60	6.9	55	1	165	1.7	10.3	15
	T4A	CR24K6E-TFD	460/3/60	3.6	28	1	165	0.9	5.4	15
	S2A	CR32K6E-PFV	208-230/1/60	14.4	82	1	165	1.7	19.7	30
TQHA025H7-H	T3A	CR32K6E-TF5	208-230/3/60	9.0	72	1	165	1.7	13.0	20
	T4A	CR32K6E-TFD	460/3/60	4.6	33	1	165	0.9	6.6	15
	S2A	CR38K6E-PFV	208-230/1/60	17.1	105	1	165	1.7	23.1	40
TQHA030H7-H	T3A	CR38K6E-TF5	208-230/3/60	10.7	85	1	165	1.7	15.1	25
	T4A	CR38K6E-TFD	460/3/60	5.3	42	1	165	0.9	7.5	15
	S2A	CR42K6E-PFV	208-230/1/60	18.3	102	2	330	3.4	26.3	40
TQHA035H7-H	T3A	CR42K6E-TF5	208-230/3/60	12.6	91	2	330	3.4	19.2	30
	T4A	CR42K6E-TFD	460/3/60	5.7	42	2	330	1.8	8.9	15
	S2A	CR53KQE-PFV	208-230/1/60	26.0	140	2	330	1.7	35.9	60
TQHA040H7-H	T3A	CR53KQE-TF5	208-230/3/60	16.3	107	2	330	1.7	23.8	40
	T4A	CR53KQE-TFD	460/3/60	8.1	55	2	330	0.9	12.0	20
	S2A	CRNQ-050E-PFV	208-230/1/60	30.8	142	2	330	1.7	41.9	70
TQHA050H7-H	T3A	CRNQ-050E-TF5	208-230/3/60	19.2	130	2	330	1.7	27.4	40
	T4A	CRNQ-050E-TFD	460/3/60	8.7	65	2	330	0.9	12.6	20
	S2A	RST45C1E-CAV	208-230/1/60	4.6	26.5	1	165	1.7	7.5	15
TQHA006E6-H	S2A	RST55C1E-CAV	208-230/1/60	6.1	33.7	1	165	1.7	9.3	15
TQHA009E6-H	S2A	RST64C1E-CAV	208-230/1/60	8.0	43.0	1	165	1.7	11.7	15
TQHA010E6-H	S2A	RST70C1E-PFV	208-230/1/60	6.9	46.0	1	165	1.7	10.3	15
	T3A	RST70C1E-TFC	208-230/3/60	4.9	36.0	1	165	1.7	7.8	15
TQHA015E6-H	S2A	CS10K6E-PFV	208-230/1/60	9.8	56	1	165	1.7	14.0	20
	T3A	CS10K6E-TF5	208-230/3/60	6.7	51	1	165	1.7	10.1	15
	T4A	CS10K6E-TFD	460/3/60	3.2	25	1	165	0.9	4.9	15
	S2A	CS12K6E-PFV	208-230/1/60	9.8	56	1	165	1.7	14.0	20
TQHA020E6-H	T3A	CS12K6E-TF5	208-230/3/60	6.7	51	1	165	1.7	10.1	15
	S2A	CS14K6E-PFV	208-230/1/60	11.2	61	1	165	1.7	15.7	25
TQHA025E6-H	T3A	CS14K6E-TF5	208-230/3/60	8.2	55	1	165	1.7	12.0	20
	T4A	CS14K6E-TFD	460/3/60	4.2	28	1	165	0.9	6.2	15
	S2A	CS18K6E-PFV	208-230/1/60	14.4	82	1	165	1.7	19.6	30
TQHA030E6-H	T3A	CS18K6E-TF5	208-230/3/60	7.9	65.5	1	165	1.7	11.6	15
	T4A	CS18K6E-TFD	460/3/60	4.2	33	1	165	0.9	6.2	15
	S2A	CS20K6E-PFV	208-230/1/60	16.7	96	2	330	1.7	24.2	40
TQHA035E6-H	T3A	CS20K6E-TF5	208-230/3/60	10.2	75	2	330	1.7	16.2	25
	T4A	CS20K6E-TFD	460/3/60	4.6	40	2	330	0.9	7.5	15
	S2A	CS27K6E-PFV	208-230/1/60	21.5	95.4	2	330	1.7	30.2	50
TQHA040E6-H	T3A	CS27K6E-TF5	208-230/3/60	14.0	82	2	330	1.7	20.9	35
	T4A	CS27K6E-TFD	460/3/60	7.6	41	2	330	0.9	11.3	15
	S2A	CS33K6E-PFV	208-230/1/60	27.6	125	2	330	1.7	37.9	60
TQHA050E6-H	T3A	CS33K6E-TF5	208-230/3/60	16.8	102	2	330	1.7	24.4	40
	T4A	CS33K6E-TFD	460/3/60	8.8	48	2	330	0.9	12.9	20
	S2A	CF04K6E-PFV	208-230/1/60	9.9	59.2	1	165	1.7	14.1	20
TQHA010L6-H	T3A	CF04K6E-TF5	208-230/3/60	6.1	52	1	165	1.7	9.3	15
	S2A	CF06K6E-PFV	208-230/1/60	10.3	59.2	1	165	1.7	14.5	25
TQHA020L6-H	T3A	CF06K6E-TF5	208-230/3/60	6.3	52	1	165	1.7	9.6	15
	S2A	CF09K6E-PFV	208-230/1/60	15.0	87	1	165	1.7	20.5	35
TQHA025L6-H	T3A	CF09K6E-TF5	208-230/3/60	9.2	72.2	1	165	1.7	13.2	20
	T4A	CF09K6E-TFD	460/3/60	4.9	35.8	1	165	0.9	7.1	15
	S2A	CF12K6E-PFV	208-230/1/60	18.4	105	1	165	1.7	24.7	40
TQHA030L6-H	T3A	CF12K6E-TF5	208-230/3/60	11.0	85	1	165	1.7	15.5	25
	T4A	CF12K6E-TFD	460/3/60	5.9	42	1	165	0.9	8.3	15

**WITH STANDARD EC FAN MOTOR**

CONDENSING UNIT MODEL	COMPRESSOR MODEL NO.	POWER SUPPLY	COMPRESSOR		EC CONDENSER FAN MOTOR			UNIT		
			RLA	LRA	QTY	WATTS	FLA	MCA	MOP	
TQHT015H7- H	S2A	AWG5520WXN	208-230/1/60	9.5	52	1	165	1.7	13.6	20
	T3A	AWG5520WXT	208-230/3/60	6.1	51	1	165	1.7	9.3	15
	T4A	AWG5520WXG	460/3/60	3.9	25	1	165	0.9	5.7	15
TQHT020H7- H	S2A	AWG5524WXN	208-230/1/60	11.7	60	1	165	1.7	16.4	25
	T3A	AWG5524WXT	208-230/3/60	7.8	50	1	165	1.7	11.4	15
	T4A	AWG5524WXG	460/3/60	3.8	25	1	165	0.9	5.7	15
TQHT025H7- H	S2A	AWG5530WXN	208-230/1/60	13.9	70	1	165	1.7	19.1	30
	T3A	AWG5530WXT	208-230/3/60	10.4	63.4	1	165	1.7	14.7	25
TQHT030H7- H	S2A	AVA5538WXN	208-230/1/60	19.7	95	1	165	1.7	26.4	40
	T3A	AVA5538WXT	208-230/3/60	13.5	73.4	1	165	1.7	18.5	30
	T4A	AVA5538WXG	460/3/60	5.8	37.7	1	165	0.9	8.2	15
TQHT035H7- H	S2A	AVA5542WXA	208-230/1/60	22.1	108	2	330	1.7	31.0	50
	T3A	AVA5542WXT	208-230/3/60	13.7	74	2	330	1.7	20.5	30
	T4A	AVA5542WXG	460/3/60	6.2	37	2	330	0.9	9.5	15
TQHT040H7- H	S2A	AGA5553WXN	208-230/1/60	28.5	132	2	330	1.7	39.1	60
	T3A	AGA5553WXT	208-230/3/60	16.5	103	2	330	1.7	24.0	40
TQHT045H7- H	S2A	AGA5561WXN	208-230/1/60	30.5	165	2	330	1.7	41.5	70
	T3A	AGA5561WXT	208-230/3/60	18.8	126	2	330	1.7	26.9	40
TQHT010M6- H	S2A	AKA9462ZXD	208-230/1/60	6.3	34	1	165	1.7	9.6	15
	S2A	AWA9490ZXXN	208-230/1/60	10.6	52	1	165	1.7	15.0	25
TQHT015M6- H	T3A	AWA9490ZXT	208-230/3/60	6.7	51	1	165	1.7	10.1	15
	T4A	AWA9490ZXG	460/3/60	3.8	25	1	165	0.9	5.7	15
	S2A	AWA7512ZXD	208-230/1/60	12.8	73	1	165	1.7	17.7	30
TQHT020M6- H	T3A	AWA7512ZXT	208-230/3/60	8.3	63.4	1	165	1.7	12.1	20
	S2A	AWA7515ZXD	208-230/1/60	16.0	96.8	1	165	1.7	21.7	35
TQHT025M6- H	T3A	AWA7515ZXT	208-230/3/60	8.3	63.4	1	165	1.7	12.1	20
	S2A	AVA9519ZXXN	208-230/1/60	20.3	95	1	165	1.7	27.1	40
TQHT030M6- H	T3A	AVA9519ZXT	208-230/3/60	13.8	73.4	1	165	1.7	18.9	30
	T4A	AVA9519ZXG	460/3/60	5.8	37.7	1	165	0.9	8.2	15
	S2A	AVA9522ZXXN	208-230/1/60	22.6	108	2	330	1.7	31.7	50
TQHT035M6- H	T3A	AVA9522ZXT	208-230/3/60	15.7	74	2	330	1.7	23.0	35
	T4A	AVA9522ZXG	460/3/60	6.0	37	2	330	0.9	9.3	15
	S2A	AVA7524ZXXN	208-230/1/60	21.3	106.6	2	330	1.7	30.1	50
TQHT036M6- H	T3A	AVA7524ZXT	208-230/3/60	11.3	65.1	2	330	1.7	17.6	25
	T4A	AVA7524ZXG	460/3/60	6.3	38.3	2	330	0.9	9.7	15
	S2A	AVA9528ZXXN	208-230/1/60	30.3	132	2	330	1.7	41.3	70
TQHT040M6- H	T3A	AVA9528ZXT	208-230/3/60	19.3	110	2	330	1.7	27.5	40
	S2A	AGA9530ZXXN	208-230/1/60	34.5	165	2	330	1.7	46.5	80
TQHT050M6- H	T3A	AGA9530ZXT	208-230/3/60	18.7	126	2	330	1.7	26.8	40
	T4A	AGA9530ZXG	460/3/60	9.0	62	2	330	0.9	13.1	20
	S2A	AGA9534ZXXN	208-230/1/60	39.8	179	2	330	1.7	53.2	90
TQHT060M6- H	T3A	AGA9534ZXT	208-230/3/60	22.9	135	2	330	1.7	32.0	50
	S2A	AWA2440ZXD	208-230/1/60	8.7	73	1	165	1.7	12.5	20
TQHT010L6- H	T3A	AWA2440ZXT	208-230/3/60	4.9	40.5	1	165	1.7	7.9	15
	S2A	AWA2450ZXD	208-230/1/60	9.4	56	1	165	1.7	13.5	20
TQHT011L6- H	T3A	AWA2450ZXT	208-230/3/60	5.8	40.5	1	165	1.7	9.0	15
	S2A	AWA2460ZXD	208-230/1/60	12.6	86	1	165	1.7	17.4	30
TQHT020L6- H	T3A	AWA2460ZXT	208-230/3/60	8.3	63.4	1	165	1.7	12.1	20
	S2A	AVA2490ZXXN	208-230/1/60	16.2	106.6	1	165	1.7	22.0	35
TQHT025L6- H	T3A	AVA2490ZXT	208-230/3/60	9.9	65.1	1	165	1.7	14.0	20
	T4A	AVA2490ZXG	460/3/60	5.3	38.3	1	165	0.9	7.6	15
	S2A	AVA2512ZXXN	208-230/1/60	20.8	120.3	1	165	1.7	27.7	40
TQHT030L6- H	T3A	AVA2512ZXT	208-230/3/60	11.0	65.1	1	165	1.7	15.4	25
	T4A	AVA2512ZXG	460/3/60	6.2	38.3	1	165	0.9	8.6	15



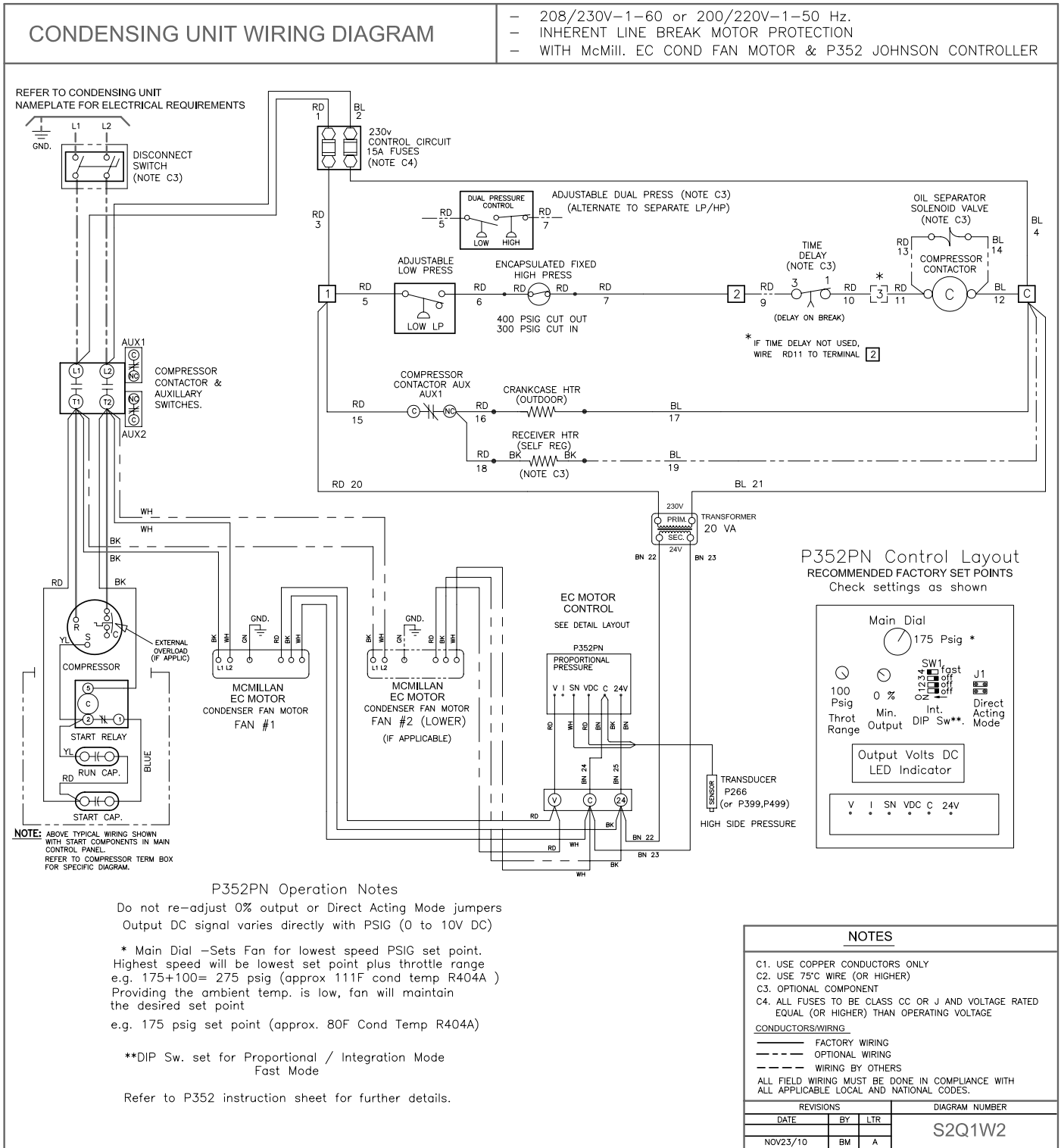


CONDENSING UNIT MODEL	UNIT CONNECTIONS				RECEIVER CAPACITY 90% FULL		APPROX. SHIPPING WEIGHT	
	SUCTION (OD)		LIQUID (OD)		Lbs.	Kgs	Lbs.	Kgs
	Inches	mm	Inches	mm				
TQHA015H7	5/8	16	3/8	10	12	5.4	315	143
TQHA020H7	5/8	16	3/8	10	12	5.4	315	143
TQHA025H7	7/8	22	3/8	10	15	6.9	315	143
TQHA030H7	7/8	22	1/2	13	15	6.8	315	143
TQHA035H7	7/8	22	1/2	13	22	9.8	480	218
TQHA040H7	1 1/8	29	1/2	13	22	9.8	500	227
TQHA050H7	1 1/8	29	1/2	13	22	9.8	520	236
TQHA006E6	5/8	16	3/8	10	6	3	305	139
TQHA008E6	5/8	16	3/8	10	6	3	305	139
TQHA009E6	5/8	16	3/8	10	6	3	305	139
TQHA010E6	5/8	16	3/8	10	11	5	305	139
TQHA015E6	5/8	16	3/8	10	11	5	315	143
TQHA020E6	5/8	16	3/8	10	11	5	315	143
TQHA025E6	7/8	22	1/2	13	14	6.4	315	143
TQHA030E6	7/8	22	1/2	13	14	6.4	315	143
TQHA035E6	7/8	22	1/2	13	20	8.9	480	218
TQHA040E6	7/8	22	1/2	13	20	8.9	500	227
TQHA050E6	1 1/8	29	1/2	13	20	8.9	520	236
TQHA010L6	5/8	16	3/8	10	11	5	320	145
TQHA020L6	7/8	22	3/8	10	11	5	320	145
TQHA025L6	7/8	22	1/2	10	14	6.4	330	150
TQHA030L6	7/8	22	1/2	13	14	6.4	330	150

CONDENSING UNIT MODEL	UNIT CONNECTIONS				RECEIVER CAPACITY 90% FULL		APPROX. SHIPPING WEIGHT	
	SUCTION (OD)		LIQUID (OD)		Lbs.	Kgs	Lbs.	Kgs
	Inches	mm	Inches	mm				
TQHT015H7	5/8	16	3/8	10	12	5.4	315	143
TQHT020H7	5/8	16	3/8	10	12	5.4	315	143
TQHT025H7	7/8	22	3/8	10	15	6.9	315	143
TQHT030H7	7/8	22	1/2	13	15	6.8	315	143
TQHT035H7	7/8	22	1/2	13	22	9.8	480	218
TQHT040H7	1 1/8	29	1/2	13	22	9.8	500	227
TQHT045H7	1 1/8	29	1/2	13	22	9.8	500	227
TQHT050H7	1 1/8	29	1/2	13	22	9.8	520	236
TQHT010M6	5/8	16	3/8	10	11	5	305	139
TQHT015M6	5/8	16	3/8	10	11	5	315	143
TQHT020M6	5/8	16	3/8	10	11	5	315	143
TQHT025M6	7/8	22	1/2	13	14	6.4	315	143
TQHT030M6	7/8	22	1/2	13	14	6.4	315	143
TQHT035M6	7/8	22	1/2	13	20	8.9	480	218
TQHT036M6	7/8	22	1/2	13	20	8.9	480	218
TQHT040M6	7/8	22	1/2	13	20	8.9	500	227
TQHT050M6	1 1/8	29	1/2	13	20	8.9	520	236
TQHT060M6	1 1/8	29	1/2	13	20	8.9	520	236
TQHT010L6	5/8	16	3/8	10	11	5	320	145
TQHT011L6	5/8	16	3/8	10	11	5	320	145
TQHT020L6	7/8	22	3/8	10	11	5	320	145
TQHT025L6	7/8	22	1/2	13	14	6.4	330	150
TQHT030L6	7/8	22	1/2	13	14	6.4	330	150

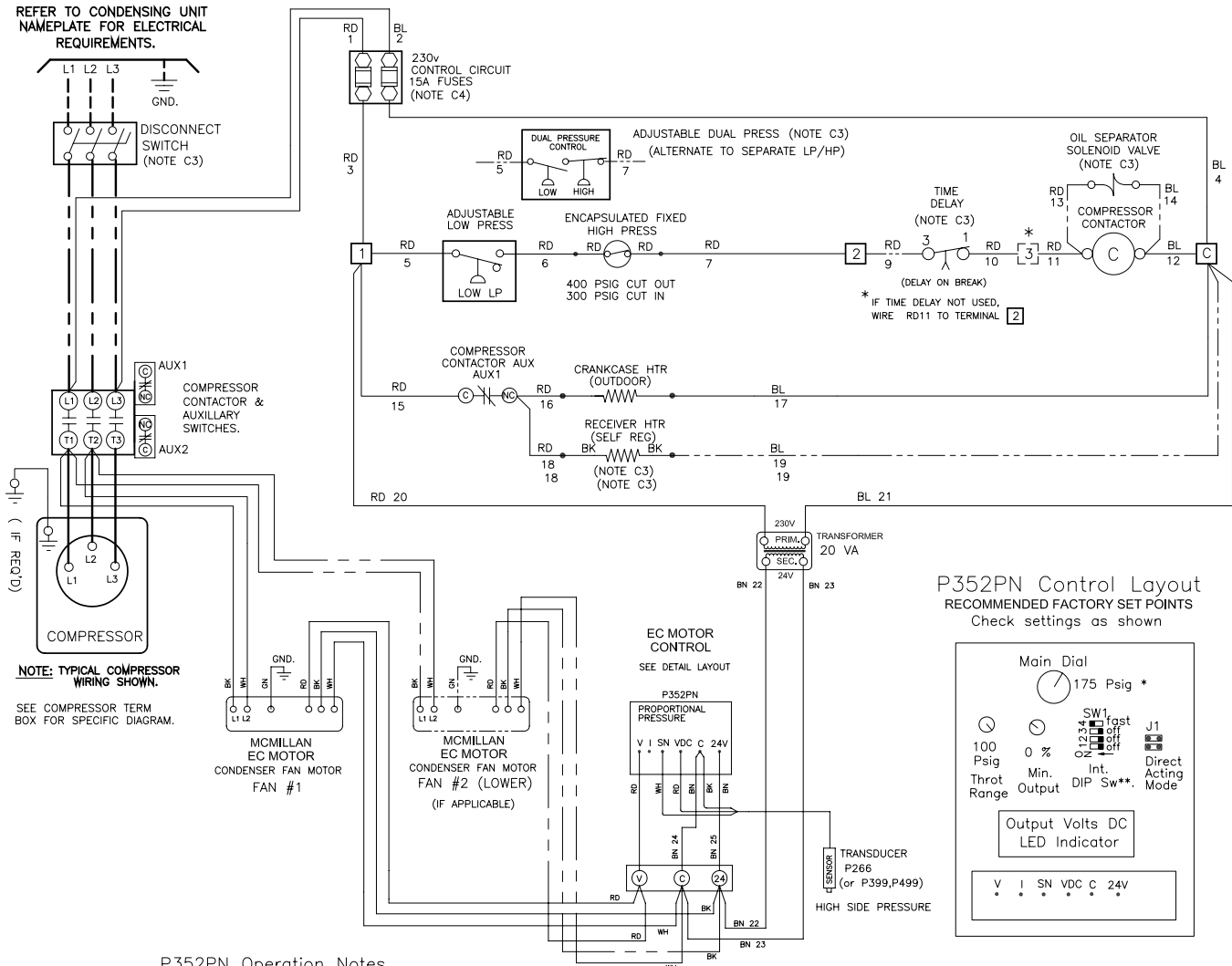
COPELAND CONDENSING UNIT MODEL	TECUMSEH CONDENSING UNIT MODEL	dBA @ 10 ft. with Sound Insulated Compressor Compartment	dBA @ 10 ft. <i>without</i> Sound Insulated Compressor Compartment
TQHA015H7	TQHT015H7	58	61
TQHA020H7	TQHT020H7	58	61
TQHA025H7	TQHT025H7	58	61
TQHA030H7	TQHT030H7	60	63
TQHA035H7	TQHT035H7	60	62
TQHA040H7	TQHT040H7	60	62
-	TQHT045H7	60	62
TQHA050H7	TQHT050H7	60	62
TQHA006E6	N/A	58	61
TQHA008E6	N/A	58	61
TQHA009E6	N/A	58	61
TQHA010E6	TQHT010M6	58	61
TQHA015E6	TQHT015M6	58	61
TQHA020E6	TQHT020M6	60	63
TQHA025E6	TQHT025M6	59	62
TQHA030E6	TQHT030M6	60	63
TQHA035E6	TQHT035M6	60	62
-	TQHT036M6	60	62
TQHA040E6	TQHT040M6	60	62
TQHA050E6	TQHT050M6	60	62
-	TQHT060M6	60	62
TQHA010L6	TQHT010L6	55	58
-	TQHT011L6	56	59
TQHA020L6	TQHT020L6	56	59
TQHA025L6	TQHT025L6	57	60
TQHA030L6	TQHT030L6	57	60

- Data is typical of “free field” conditions. Factors such as reflecting wall, background noise and installation may have significant influence on data
- Testing performed according to AHRI Standard 270
- For more accurate ratings refer to AHRI Standard 275 for correction factors due to reflecting planes
- Data is for 100% fan speed. Further sound reductions of approx. 4-6 dBA can be expected at ambients below 70°F



## CONDENSING UNIT WIRING DIAGRAM

- 208-230V-3-60, or 200/220V-3-50 Hz
- INHERENT LINE BREAK MOTOR PROTECTION
- WITH McMill. EC COND FAN MOTOR & P352 JOHNSON CONTROLLER



**NOTE: TYPICAL COMPRESSOR WIRING SHOWN.**  
SEE COMPRESSOR TERM. BOX FOR SPECIFIC DIAGRAM.

### P352PN Operation Notes

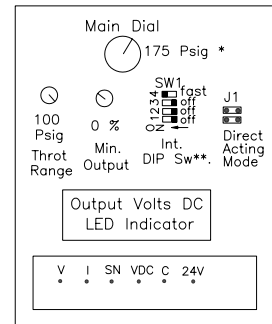
Do not re-adjust 0% output or Direct Acting Mode jumpers  
Output DC signal varies directly with PSIG (0 to 10V DC)

\* Main Dial - Sets Fan for lowest speed PSIG set point.  
Highest speed will be lowest set point plus throttle range  
e.g. 175+100= 275 psig (approx 111F cond temp R404A )  
Providing the ambient temp. is low, fan will maintain the desired set point  
e.g. 175 psig set point (approx. 80F Cond Temp R404A)

\*\*DIP Sw. set for Proportional / Integration Mode  
Fast Mode

Refer to P352 instruction sheet for further details.

### P352PN Control Layout RECOMMENDED FACTORY SET POINTS Check settings as shown



### NOTES

- C1. USE COPPER CONDUCTORS ONLY
- C2. USE 75°C WIRE (OR HIGHER)
- C3. OPTIONAL COMPONENT
- C4. ALL FUSES TO BE CLASS CC OR J AND VOLTAGE RATED EQUAL (OR HIGHER) THAN OPERATING VOLTAGE

#### CONDUCTORS/WIRING

- FACTORY WIRING
- - - OPTIONAL WIRING
- - - WIRING BY OTHERS

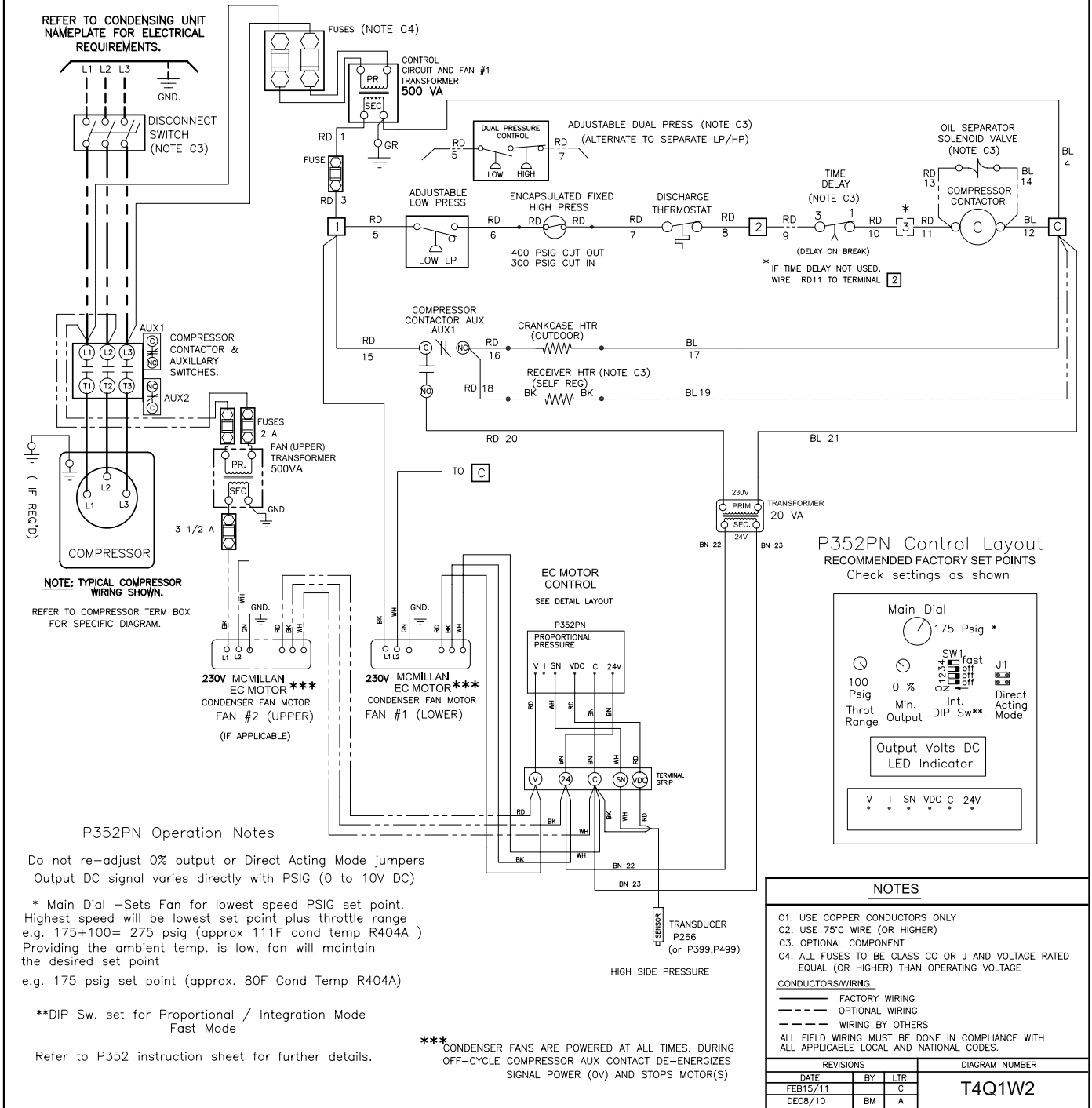
ALL FIELD WIRING MUST BE DONE IN COMPLIANCE WITH ALL APPLICABLE LOCAL AND NATIONAL CODES.

REVISIONS			DIAGRAM NUMBER
DATE	BY	LTR	T3Q1W2
NOV25/10	BM	A	



## CONDENSING UNIT WIRING DIAGRAM

- 460V-3-60, or 380/400V-3-50 Hz
- INHERENT LINE BREAK MOTOR PROTECTION /DISCH THERMOSTAT
- WITH McMill. EC COND FAN MOTOR & P352 JOHNSON CONTROLLER



**EC Motors - Features and Benefits**

Air cooled condensing units utilizing electrically commutated motor (EC motor) technology offer many benefits; Improved Efficiency, Reduced Sound Levels, Speed Control, Simplicity and Reliability.

**Efficiency**

EC motors are more energy efficient than conventional AC (PSC and shaded pole) motors. Unlike AC motors that see efficiency decrease as the motor speed is decreased, an EC motor efficiency remains consistent throughout its range of operation.

**Head Pressure Control**

EC motors make it easier to maintain stable head pressures when motor speeds are varied according to operating conditions. When compared to a conventional flooded valve system, EC motors do a much better job maintaining stable head pressures. System performance is further enhanced with consistent liquid temperatures that ensure optimized operation of the nozzle and TX valve in the evaporator. In colder ambients, special consideration should be given to the use of heated and insulated receivers and wind guard protection on the condenser.

**Reduced Refrigerant Charge**

System charges can be reduced by 30 – 40% by utilizing variable speed EC motors to control head pressures. The elimination of the head pressure control valve also eliminates the need for extra refrigerant required to flood the condenser. In colder ambients, special consideration should be given to the use of insulated receivers and wind guard protection on the condenser.

**Reduced Energy Consumption**

When a system's head pressure is controlled using a flooded head pressure control valve, the condenser fan motor runs at 100% fan speed all of the time. When head pressure is controlled using an EC motor and the motor speed is varied according to operating conditions, this results in lower energy consumption of the motor. There are also potential energy savings available from the compressor by running with lower head pressure setting controlled by a simple EC motor controller. The amount of energy to be saved depends on; ambient conditions, system operation conditions and head pressure set point.

**Sound**

As EC motor speeds vary for different operating conditions they also offer reduced sound levels when compared to conventional motor running full speed. Sound levels are reduced on cooler days and in evenings.

**Simplicity and Reliability**

The installation and control of EC motors is very simple compared to other methods of speed control used on conventional AC motors. Lower running operating temperatures and smooth transitional speed changes make EC motors durable and reliable.

### Variable Speed EC Condenser Fan Motors

ECM fan/motor combinations using DC motors with integral AC to DC conversion allow direct connection to the AC mains with all the energy saving and control benefits of a DC motor. Ideally, with multiple motors on the condenser, all should simultaneously slow down /speed up together. This provides for maximum energy savings and smoothest head pressure control.

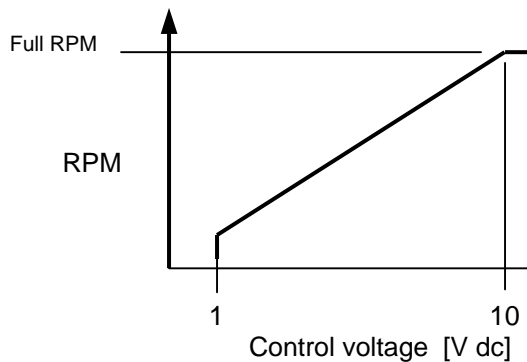


**Important Warnings:**  
(Please read before handling motors)

1. When connecting the unit to the power supply, dangerous voltages occur. Due to motor capacitor discharge time, do not open the motor within 5 minutes after disconnection of all phases.
2. With a Control voltage fed in or a set speed value being saved, the motor will restart automatically after a power failure.
3. Dangerous external voltages can be present at the motor terminals even when the unit is turned off.
4. The Electronics housing can get hot.
5. The cycling on and off of EC motors should be controlled by the DC control voltage (i.e. 0V DC will turn motor off). Excessive cycling of the motor by line voltage contactors may cause stress on the motors and reduce the motor life.

### Speed Adjustment Characteristics

The EC motor varies its speed linearly based on a 1-10V input signal. At 10 VDC, the motor runs at full speed. At 0 to approx. 1 VDC, the motor turns off. A chart of the speed control curve is shown below. The motor can be controlled at any speed below its nominal RPM.



### Control Signal

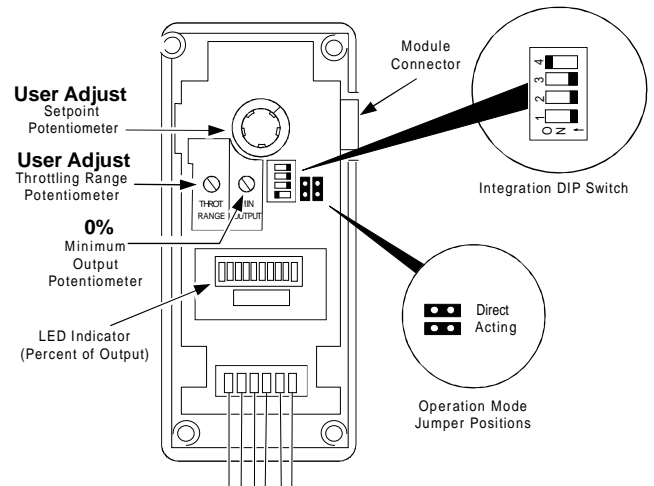
The input control signal is supplied by an external control signal from a factory installed proportional pressure control. Units with factory installed proportional pressure controls are adjusted with initial factory settings. These may require further adjustments to suit local field conditions.

### Proportional Pressure Control (Factory Installed)

Units equipped with factory installed P352 controls use a proportional/integral pressure controller to vary and maintain the motor speed at the desired head pressure. The controller has two main user adjustable features:

- Head Pressure Set point
- Throttling range

Leave the minimum Output setting at 0% and Jumpers should be set for Direct Acting (do not re-adjust)



### Head Pressure Set Point

The head pressure set point potentiometer is adjustable from 90-250 psig. This maintains a minimum condensing temp at the corresponding pressure set point. Typical R404A set points are from 170-200 psig. (i.e. 78°F - 89°F Condensing Temperature).

Note: Very low set points may cause the fan motors to run full speed continually even if the condenser is properly sized. The fans will turn off if the system pressure falls below the desired set point.

### Minimum Output

The minimum output potentiometer controls the minimum signal sent to the motor and is factory set at 0%. It is adjustable between 0 and 60% of the output range. If this is adjusted to 50%, the motors will not start running until 5V is applied to the motor. The motor will start running at 50% of full speed. To maximize sound reduction and energy savings and to provide the most stable control, it is recommended this setting be left at 0%.

### Throttling range

The throttling range potentiometer controls how far the system pressure deviates from the control set point to generate a 100% output signal from the control and is adjustable from 10 -100 psig. The throttling range determines how quickly the motor will reach full speed when detecting a change in head pressure. For example, if the set point is 190 psig and the throttling range is 50 psig, when the system pressure is below 190 psig, the fans will be off. When the system pressure reaches 240 psig (190+50) the fans will be at full speed. To make the fans ramp more slowly the throttling range should be increased. To maximize sound reduction and energy efficiency and to provide for the most stable control, it is recommended this setting be left at 100 psig.

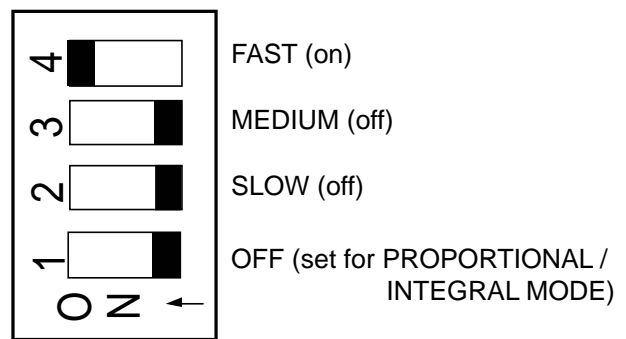
### Reverse acting or direct acting mode of operation

The reverse acting/direct acting jumper is used to ensure the controller responds correctly to the desired head pressure. In Direct Acting (DA) mode, the motor speed increases as the pressure rises above desired set point. For proper condenser operation, this jumper MUST be in

Direct Acting (DA) mode. Failure to ensure J1 jumper is in direct acting mode will cause the system to trip on high head pressure.

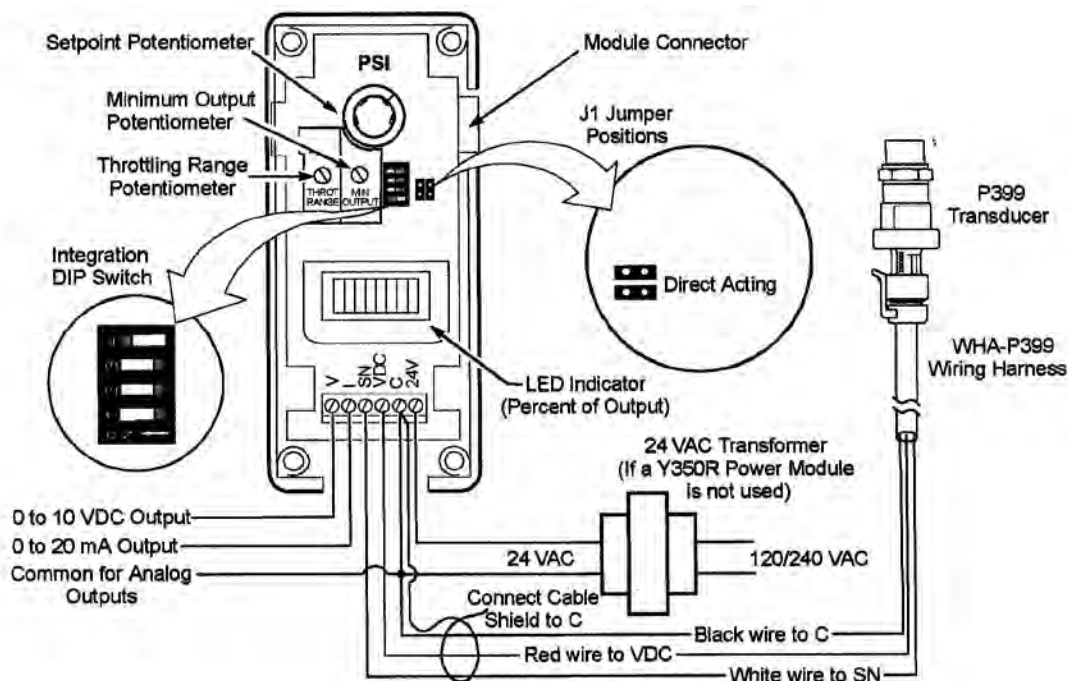
### Integration constant

The integration constant switch provides ability to change controller from a proportional only control to a proportional plus integral control. To provide the most responsive system and to maintain a stable head pressure, it is recommended the integration setting be left on "fast" with the Mode switch set to OFF (Proportional AND Integral activated)

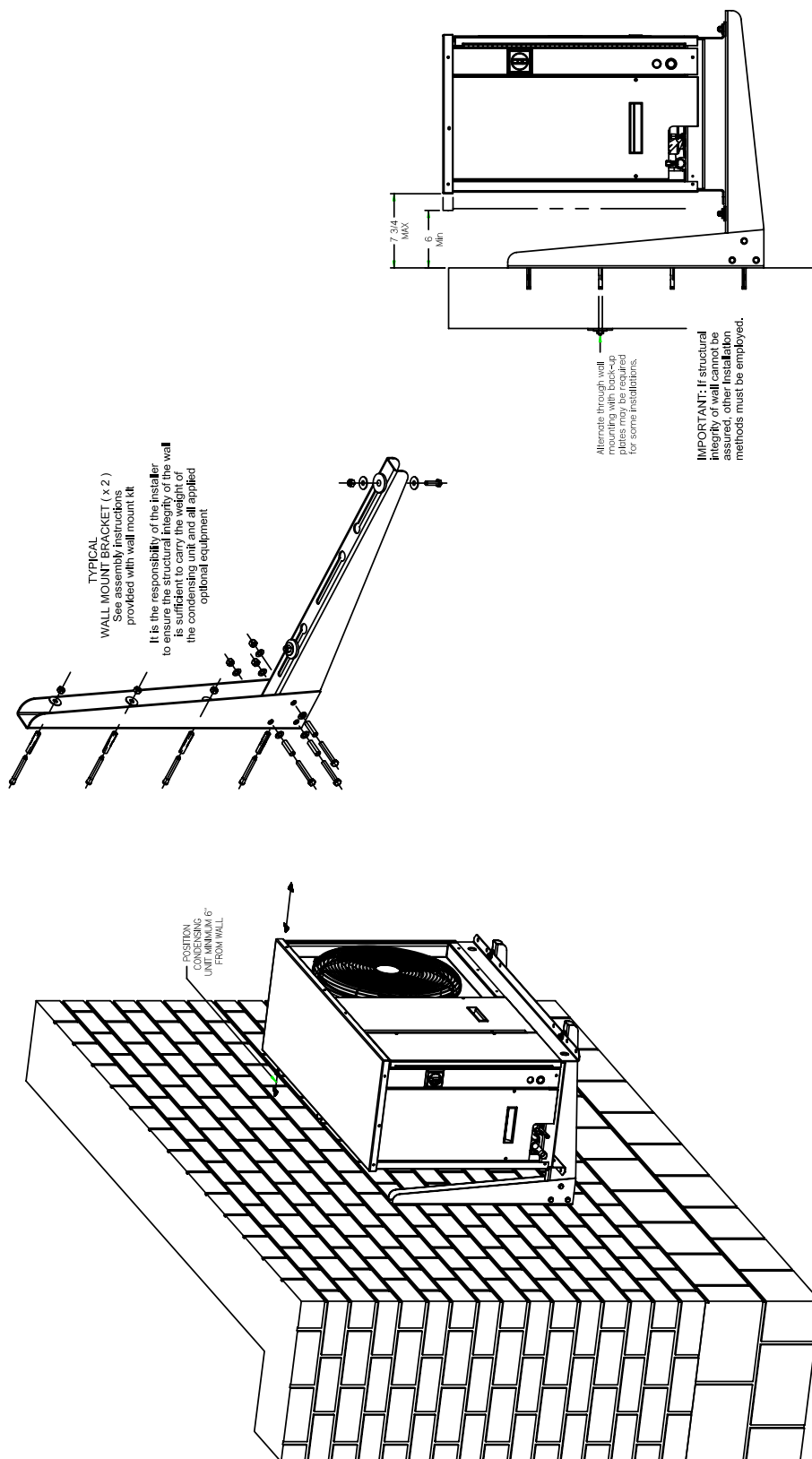


### Transducer Wiring

The P352PN controls use a P266 (P399, or P499) pressure transducer to generate a 0.5 to 4.5 VDC input signal. The transducer is wired to the terminal block at the bottom of the control as shown in the diagram below.



Interior View and Typical Wiring of P352PN Control





PART DESCRIPTION	MODELS	PART NUMBER
EC Fan Motor - 1/3 HP	ALL	1089880
Transformer (req'd for EC Motor on 460V models)	460V Models	1086000-0207
Fan Blade	ALL	1090668
Motor Mount	ALL	1089899
Fan Guard	ALL	1089892
Pressure Control, P352PN-3C, Fan Motor Speed Control	ALL	1087946
Transformer, 24V, for pressure control	ALL	170110
Pressure Transducer	ALL	1073355
Wall Mounting Kit	ALL	1089895

# NOTES

# NOTES

## FINISHED GOODS WARRANTY

The terms and conditions as described below in the General Warranty Policy cover all products manufactured by National Refrigeration.

### GENERAL WARRANTY POLICY

Subject to the terms and conditions hereof, the Company warrants all Products, including Service Parts, manufactured by the Company to be free of defects in material or workmanship, under normal use and application for a period of one (1) year from the original date of installation, or eighteen (18) months from the date of shipment from the Company, whichever occurs first. Any replacement part(s) so supplied will be warranted for the balance of the product's original warranty. The part(s) to be replaced must be made available in exchange for the replacement part(s) and reasonable proof of the original installation date of the product must be presented in order to establish the effective date of the warranty, failing which, the effective date will be based upon the date of manufacture plus thirty (30) days. Any labour, material, refrigerant, transportation, freight or other charges incurred in connection with the performance of this warranty will be the responsibility of the owner at the current rates and prices then in effect. This warranty may be transferred to a subsequent owner of the product.

### THIS WARRANTY DOES NOT COVER

(a) Damages caused by accident, abuse, negligence, misuse, riot, fire, flood, or Acts of God (b) damages caused by operating the product in a corrosive atmosphere (c) damages caused by any unauthorized alteration or repair of the system affecting the product's reliability or performance (d) damages caused by improper matching or application of the product or the product's components (e) damages caused by failing to provide routine and proper maintenance or service to the product (f) expenses incurred for the erecting, disconnecting, or dismantling the product (g) parts used in connection with normal maintenance, such as filters or belts (h) products no longer at the site of the original installation (i) products installed or operated other than in accordance with the printed instructions, with the local installation or building codes and with good trade practices (j) products lost or stolen.

**No one is authorized to change this WARRANTY** or to create for or on behalf of the Company any other obligation or liability in connection with the Product(s). There is no other representation, warranty or condition in any respect, expressed or implied, made by or binding upon the Company other than the above or as provided by provincial or state law and which cannot be limited or excluded by such law, nor will we be liable in any way for incidental, consequential, or special damages however caused.

The provisions of this additional written warranty are in addition to and not a modification of or subtraction from the statutory warranties and other rights and remedies provided by Federal, Provincial or State laws.

## PROJECT INFORMATION

System	
Model Number	Date of Start-Up
Serial Number	Service Contractor
Refrigerant	Phone
Electrical Supply	Fax

## “AS BUILT” SERVICE PARTS LIST

Service Parts List  
Label  
To Be Attached  
HERE



NATIONAL REFRIGERATION &  
AIR CONDITIONING CANADA CORP.  
159 Roy Blvd.  
Brantford Ontario Canada N3R 7K1  
PHONE: (519) 751-0444 800-463-9517  
FAX (519) 753-1140 [www.t-rp.com](http://www.t-rp.com)

