



PRODUCT DATA & SPECIFICATIONS

Bulletin T40-W-PDS-18
Part # 1064624

PRODUCT SUPPORT
 web: www.t-rp.com/w
 email: rcu-wccu@t-rp.com
 call: 1-844-893-3222 x523

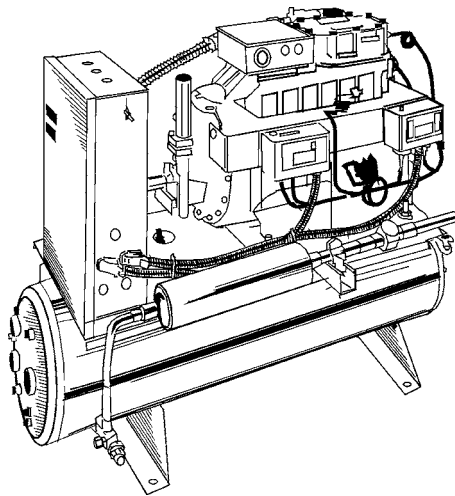
scan: 

W-Line Condensing Units

60
Hz

Indoor
Water Cooled
Condensing Units

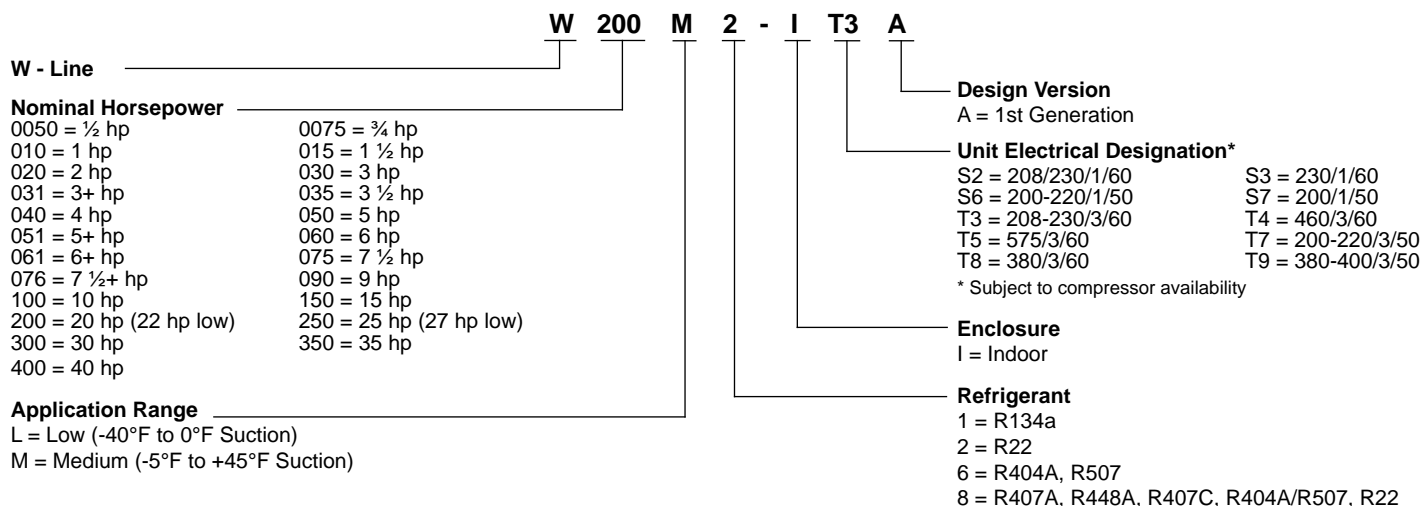
1/2 to 40 HP -
High, Medium and Low
Temperature Refrigeration



CONTENTS

	Page
Nomenclature.....	2
Features and Options.....	2
Capacity Data (Imperial and <i>Metric</i>).....	3 - 10
Electrical Data.....	11 - 12
Dimensional Data.....	13
Specifications.....	14
Wiring Diagrams.....	15 - 17
Project Information.....	19
Product Support Resources.....	BACK

NOMENCLATURE



STANDARD FEATURES

- Sturdy electrical control box with compressor contactor and fused control circuit
- Spring mounted, accessible semi-hermetic compressor
- Sealed liquid line filter drier and sight glass on 5.0 hp - up
- Discharge vibration eliminator
- Copper tubing secured with Hydra-Zorb / Cush-A-Clamp
- Shell and tube water cooled condenser with fusible plug or pressure relief valve and liquid shut off valve
- Adjustable dual high / low pressure control
- CoreSense™ on all applicable models
- Suction and discharge service valve
- Flex hose on all controls
- Auxillary cooling on low temperature models

AVAILABLE OPTIONS

- Suction accumulator with or without heat exchanger
- Sealed or replaceable core suction filter with vibration eliminator
- Oil separator c/w oil return solenoid valve
- Replaceable core liquid line filter drier
- Liquid line solenoid valve w/ 115 and 230 volt coils (shipped loose)
- Ball valve (shipped loose)
- Compressor circuit breaker
- Compressor time delay relay
- Pump down toggle switch
- Time Clock
- Defrost contactor with fuse block
- Evaporator fan contactor with fuse block
- Fused disconnect
- Phase / voltage monitor
- Water valve (shipped loose)
- Marine duty (cupro-nickel) condenser

**OTHER OPTIONS AVAILABLE
AT YOUR REQUEST -
CONSULT FACTORY FOR PRICING**

CAPACITY DATA - R407A

HIGH / MEDIUM TEMPERATURE

Capacity Rating Conditions: Entering Water = 85°F (29.4°C), Condensing = 110°F (43.3°C), Subcooling = 0°F (0°C)

MODEL W		SATURATED SUCTION TEMPERATURE °F (°C)									
		0 (-17.8)	5 (-15)	10 (-12.2)	15 (-9.4)	20 (-6.7)	25 (-3.9)	30 (-1.1)	35 (1.7)	40 (4.4)	
W050M8 Compressor: 2DC3R53KE	BTU/H (Watts)	22900 (6710)	26200 (7680)	30000 (8790)	34400 (10080)	39200 (11490)	44600 (13070)	50600 (14830)	57100 (16730)	64200 (18820)	
	GPM (L/min)	5.3 (20)	6.5 (24.5)	8.0 (30.2)	9.8 (37)	11.9 (45.1)	14.4 (54.7)	17.4 (66)	20.9 (79)	24.8 (94)	
	PSIG (kPa)	1.1 (7.4)	1.6 (11)	2.4 (16.4)	3.5 (24.3)	5.1 (35.4)	7.4 (51.3)	10.7 (73.8)	15.2 (104.6)	21.3 (146.9)	
W051M8 Compressor: 2DD3R63KE	BTU/H (Watts)	27300 (8000)	31000 (9090)	35400 (10370)	40300 (11810)	45800 (13420)	52000 (15240)	58700 (17200)	66200 (19400)	---	
	GPM (L/min)	7.4 (28)	8.9 (33.7)	10.8 (41)	13.1 (49.6)	15.8 (60)	19.1 (72.4)	22.9 (86.7)	27.4 (103.7)	---	
	PSIG (kPa)	2.1 (14.2)	2.9 (20.3)	4.3 (29.5)	6.2 (42.6)	8.9 (61.3)	12.8 (88.3)	18.2 (125.4)	25.8 (177.8)	---	
W075M8 Compressor: 2DL3R78KE	BTU/H (Watts)	36100 (10580)	40900 (11990)	46200 (13540)	52000 (15240)	58500 (17140)	65600 (19230)	73600 (21570)	82400 (24150)	92100 (26990)	
	GPM (L/min)	8.9 (33.8)	11.6 (43.8)	14.7 (55.6)	18.3 (69.4)	22.7 (85.8)	27.7 (104.8)	33.7 (127.6)	40.8 (154.4)	49.1 (186)	
	PSIG (kPa)	0.2 (1.5)	0.4 (2.6)	0.6 (4)	0.9 (6.1)	1.3 (9.1)	1.9 (13.3)	2.8 (19.3)	4.0 (27.8)	5.8 (39.8)	
W076M8 Compressor: 3DA3R10ME	BTU/H (Watts)	46100 (13510)	53300 (15620)	61300 (17970)	70200 (20570)	80000 (23450)	90500 (26520)	---	---	---	
	GPM (L/min)	16.9 (64)	21.9 (82.7)	27.8 (105.3)	35.0 (132.4)	43.5 (164.7)	53.3 (201.9)	---	---	---	
	PSIG (kPa)	0.8 (5.2)	1.2 (8.5)	1.9 (13.4)	3.0 (20.8)	4.6 (31.5)	6.8 (46.6)	---	---	---	
W100M8 Compressor: 3DB3R12ME	BTU/H (Watts)	56200 (16470)	64500 (18900)	73800 (21630)	84200 (24680)	95400 (27960)	107700 (31560)	120800 (35400)	134700 (39480)	---	
	GPM (L/min)	16.5 (62.3)	21.0 (79.7)	26.6 (100.6)	33.2 (125.5)	40.8 (154.4)	49.7 (188.1)	59.8 (226.4)	71.2 (269.6)	---	
	PSIG (kPa)	0.5 (3.5)	0.8 (5.5)	1.2 (8.5)	1.9 (12.9)	2.8 (19.1)	4.1 (27.9)	5.8 (39.9)	8.1 (55.8)	---	
W150M8 Compressor: 3DS3R17ME	BTU/H (Watts)	76800 (22510)	88300 (25880)	100800 (29540)	114500 (33560)	129400 (37920)	145500 (42640)	162800 (47710)	181400 (53160)	201200 (58970)	
	GPM (L/min)	19.9 (75.1)	25.9 (97.9)	32.8 (124.3)	41.0 (155)	50.4 (190.7)	61.2 (231.6)	73.5 (278.2)	87.5 (331.4)	103.4 (391.3)	
	PSIG (kPa)	0.3 (2.1)	0.5 (3.7)	0.9 (6)	1.3 (9.2)	1.9 (13.4)	2.8 (19.2)	3.9 (26.8)	5.3 (36.8)	7.3 (50)	
W250M8 Compressor: 4DHNR22ME	BTU/H (Watts)	109100 (31970)	124200 (36400)	140800 (41260)	159000 (46600)	179200 (52520)	201400 (59020)	---	---	---	
	GPM (L/min)	42.6 (161.2)	53.0 (200.5)	65.2 (246.6)	79.4 (300.6)	96.2 (364.2)	115.9 (438.7)	---	---	---	
	PSIG (kPa)	1.4 (9.9)	2.1 (14.7)	3.1 (21.5)	4.5 (30.8)	6.4 (43.8)	9.0 (61.8)	---	---	---	
W300M8 Compressor: 4DJNR28ME	BTU/H (Watts)	128500 (37660)	147300 (43170)	167700 (49150)	189700 (55600)	213600 (62600)	239400 (70160)	267100 (78280)	---	---	
	GPM (L/min)	37.6 (142.5)	46.9 (177.5)	57.7 (218.3)	70.1 (265.3)	84.4 (319.7)	100.9 (382.1)	119.8 (453.3)	---	---	
	PSIG (kPa)	0.9 (6)	1.3 (9.1)	1.9 (13.4)	2.8 (19.3)	4.0 (27.5)	5.6 (38.6)	7.8 (53.5)	---	---	
W350M8 Compressor: 6DHNR35ME	BTU/H (Watts)	160200 (46950)	182900 (53600)	207700 (60870)	234600 (68750)	263700 (77280)	294700 (86370)	327900 (96100)	362900 (106360)	---	
	GPM (L/min)	43.3 (163.9)	53.0 (200.5)	64.2 (243)	77.2 (292.1)	92.1 (348.5)	108.9 (412.4)	128.1 (484.8)	149.4 (565.5)	---	
	PSIG (kPa)	1.0 (7.1)	1.5 (10.3)	2.1 (14.7)	3.0 (20.8)	4.2 (28.9)	5.8 (39.7)	7.8 (54)	10.5 (72.4)	---	
W400M8 Compressor: 6DJNR40ME	BTU/H (Watts)	190300 (55770)	217200 (63650)	246800 (72330)	278900 (81740)	313600 (91910)	350700 (102780)	390200 (114360)	---	---	
	GPM (L/min)	53.4 (202.2)	65.2 (246.8)	79.0 (299.1)	95.0 (359.5)	113.3 (429)	134.2 (507.9)	157.7 (596.9)	---	---	
	PSIG (kPa)	1.2 (8.1)	1.7 (11.7)	2.4 (16.7)	3.4 (23.6)	4.8 (32.9)	6.6 (45.2)	8.9 (61.5)	---	---	

- Outside Operating Range

LOW TEMPERATURE

Capacity Rating Conditions: Entering Water = 85°F (29.4°C), Condensing = 110°F (43.3°C), Subcooling = 0°F (0°C)

MODEL W		SATURATED SUCTION TEMPERATURE °F (°C)									
		-40 (-40)	-35 (-37.2)	-30 (-34.4)	-25 (-31.7)	-20 (-28.9)	-15 (-26.1)	-10 (-23.3)	-5 (-20.6)		
W035L8 Compressor: 2DL3F20KE	BTU/H (Watts)	7400 (2170)	9400 (2750)	11400 (3340)	13700 (4020)	16300 (4780)	19200 (5630)	---	---	---	---
	GPM (L/min)	2.9 (10.9)	4.2 (16)	5.7 (21.8)	7.6 (28.8)	9.9 (37.3)	12.6 (47.6)	---	---	---	---
	PSIG (kPa)	1.0 (6.6)	2.0 (13.7)	3.6 (24.6)	6.1 (42)	10.1 (69.4)	16.2 (111.4)	---	---	---	---
W040L8 Compressor: 2DL3F20KE	BTU/H (Watts)	8800 (2580)	11100 (3250)	13700 (4020)	16600 (4860)	19800 (5800)	---	---	---	---	---
	GPM (L/min)	4.2 (15.8)	5.9 (22.4)	8.1 (30.5)	10.7 (40.4)	13.8 (52.4)	---	---	---	---	---
	PSIG (kPa)	1.9 (13.4)	3.8 (26)	6.8 (47)	11.7 (81)	19.4 (134)	---	---	---	---	---
W060L8 Compressor: 2DA3F23KE	BTU/H (Watts)	10400 (3050)	13100 (3840)	16100 (4720)	19400 (5690)	23100 (6770)	27100 (7940)	31600 (9260)	36600 (10730)		
	GPM (L/min)	2.8 (10.7)	3.9 (14.8)	5.2 (19.7)	6.7 (25.4)	8.5 (32.3)	10.6 (40.2)	13.1 (49.7)	16.1 (60.9)		
	PSIG (kPa)	0.3 (2.1)	0.6 (4.1)	1.0 (7.2)	1.7 (11.8)	2.7 (18.6)	4.1 (28.4)	6.2 (42.6)	9.2 (63.2)		
W061L8 Compressor: 3DA3F28KE	BTU/H (Watts)	12600 (3690)	16200 (4750)	19900 (5830)	23900 (7000)	28300 (8290)	33100 (9700)	38600 (11310)	44700 (13100)		
	GPM (L/min)	4.0 (15.1)	5.6 (21.3)	7.5 (28.3)	9.6 (36.4)	12.1 (46)	15.1 (57.3)	18.8 (71.3)	23.3 (88.2)		
	PSIG (kPa)	0.6 (4.3)	1.2 (8.4)	2.1 (14.5)	3.4 (23.4)	5.3 (36.7)	8.1 (56.2)	12.4 (85.7)	18.8 (129.8)		
W075L8 Compressor: 3DB3F33KE	BTU/H (Watts)	16200 (4750)	20500 (6010)	25000 (7330)	29700 (8700)	34800 (10200)	40400 (11840)	46700 (13690)	---	---	---
	GPM (L/min)	6.1 (23)	8.3 (31.4)	10.8 (41)	13.8 (52.1)	17.2 (65.1)	21.3 (80.7)	26.3 (99.7)	---	---	---
	PSIG (kPa)	1.4 (9.8)	2.6 (17.7)	4.3 (29.5)	6.8 (46.7)	10.4 (72)	15.8 (109.1)	23.9 (164.8)	---	---	---
W090L8 Compressor: 3DF3F40KE	BTU/H (Watts)	18800 (5510)	24000 (7030)	29500 (8650)	35500 (10400)	42000 (12310)	49200 (14420)	57300 (16790)	66400 (19460)		
	GPM (L/min)	5.3 (19.9)	8.6 (32.5)	12.4 (47.1)	17.0 (64.5)	22.5 (85.1)	29.1 (110)	37.2 (140.7)	47.2 (178.6)		
	PSIG (kPa)	0.1 (0.5)	0.2 (1.4)	0.4 (2.9)	0.8 (5.3)	1.3 (9)	2.1 (14.6)	3.4 (23.3)	5.3 (36.8)		
W100L8 Compressor: 3DS3F46KE	BTU/H (Watts)	20600 (6040)	26300 (7710)	32400 (9500)	38900 (11400)	46000 (13480)	54000 (15830)	62800 (18400)	72800 (21340)		
	GPM (L/min)	6.9 (26.2)	10.8 (41.1)	15.4 (58.5)	20.8 (78.9)	27.3 (103.3)	35.2 (133.3)	44.8 (169.6)	56.8 (214.9)		
	PSIG (kPa)	0.1 (0.9)	0.3 (2.2)	0.6 (4.4)	1.1 (7.8)	1.9 (12.9)	3.0 (21)	4.8 (33.3)	7.6 (52.6)		
W150L8 Compressor: 4DHN63KE	BTU/H (Watts)	31500 (9230)	38600 (11310)	46400 (13600)	54900 (16090)	64100 (18790)	74200 (21750)	85000 (24910)	96600 (28310)		
	GPM (L/min)	12.0 (45.3)	16.4 (62.2)	21.9 (82.8)	28.4 (107.4)	36.0 (136.3)	45.0 (170.5)	55.4 (209.7)	67.2 (254.4)		
	PSIG (kPa)	0.3 (1.9)	0.5 (3.5)	0.9 (5.9)	1.4 (9.6)	2.2 (15.1)	3.4 (23.1)	5.0 (34.4)	7.2 (49.9)		
W200L8 Compressor: 4DJNF76KE	BTU/H (Watts)	41800 (12250)	48500 (14210)	57000 (16700)	67200 (19690)	79000 (23150)	92500 (27110)	---	---	---	---
	GPM (L/min)	19.4 (73.4)	24.9 (94.2)	32.1 (121.4)	41.3 (156.2)	52.7 (199.4)	66.8 (252.8)	---	---	---	---
	PSIG (kPa)	0.7 (4.7)	1.1 (7.5)	1.8 (12.1)	2.8 (19.6)	4.5 (31.2)	7.2 (49.3)	---	---	---	---
W250L8 Compressor: 6DHN93KE	BTU/H (Watts)	42500 (12460)	55100 (16150)	67800 (19870)	81300 (23830)	95600 (28020)	111300 (32620)	128500 (37660)	---	---	---
	GPM (L/min)	16.6 (62.7)	24.8 (93.9)	34.6 (130.8)	46.3 (175.3)	60.3 (228.1)	77.1 (291.7)	97.1 (367.7)	---	---	---
	PSIG (kPa)	0.2 (1.3)	0.5 (3.4)	1.0 (6.7)	1.7 (11.5)	2.7 (18.6)	4.2 (29.2)	6.5 (44.6)	---	---	---
W300L8 Compressor: 6DJNF11ME	BTU/H (Watts)	51400 (15060)	66500 (19490)	81900 (24000)	98100 (28750)	115400 (33820)	134300 (39360)	---	---	---	---
	GPM (L/min)	25.4 (96.3)	36.8 (139.3)	50.4 (190.6)	66.7 (252.4)	86.2 (326.3)	109.8 (415.5)	---	---	---	---
	PSIG (kPa)	0.5 (3.6)	1.1 (7.5)	1.9 (13.4)	3.3 (22.4)	5.2 (35.8)	8.1 (55.9)	---	---	---	---

NOTES:

- Above ratings are based on mean temperature.
- To convert to dew point ratings, use 0.95 multiplier.

CAPACITY DATA - R448A HIGH / MEDIUM TEMPERATURE

Capacity Rating Conditions: Entering Water = 85°F (29.4°C), Condensing = 110°F (43.3°C), Subcooling = 0°F (0°C)

MODEL W		SATURATED SUCTION TEMPERATURE °F (°C)									
		0 (-17.8)	5 (-15)	10 (-12.2)	15 (-9.4)	20 (-6.7)	25 (-3.9)	30 (-1.1)	35 (1.7)	40 (4.4)	
W030M8 Compressor: ERF*-031E	BTU/H (Watts)	13100 (3840)	15500 (4540)	18100 (5300)	20900 (6130)	23600 (6920)	---	---	---	---	---
	GPM (L/min)	4.3 (16.3)	5.4 (20.6)	6.7 (25.5)	8.1 (30.8)	9.5 (35.9)	---	---	---	---	---
	PSIG (kPa)	2.1 (14.2)	3.2 (22.2)	4.8 (33.3)	7.0 (48)	9.3 (64.4)	---	---	---	---	---
W050M8 Compressor: 2DC3R53KE	BTU/H (Watts)	23600 (6920)	27000 (7910)	30900 (9060)	35300 (10350)	40100 (11750)	45500 (13330)	51400 (15060)	57800 (16940)	64700 (18960)	
	GPM (L/min)	5.7 (21.6)	6.7 (25.5)	8.0 (30.3)	9.5 (36)	11.2 (42.6)	13.3 (50.4)	15.7 (59.4)	18.4 (69.7)	21.5 (81.4)	
	PSIG (kPa)	1.3 (8.7)	1.7 (11.9)	2.4 (16.5)	3.3 (23)	4.6 (31.7)	6.4 (43.8)	8.7 (60.2)	11.9 (82.1)	16.1 (110.9)	
W051M8 Compressor: 2DD3R63KE	BTU/H (Watts)	28358 (8310)	32259 (9450)	36521 (10700)	41069 (12040)	46023 (13490)	51253 (15020)	56877 (16670)	62803 (18410)	69240 (20290)	
	GPM (L/min)	7.8 (29.7)	9.3 (35.1)	10.9 (41.2)	12.7 (48)	14.7 (55.8)	17.0 (64.4)	19.6 (74.1)	22.4 (84.8)	25.6 (97)	
	PSIG (kPa)	2.3 (15.9)	3.2 (21.8)	4.3 (29.7)	5.8 (39.9)	7.7 (53.3)	10.2 (70.3)	13.4 (92.3)	17.4 (120.1)	22.6 (156.1)	
W075M8 Compressor: 2DL3R78KE	BTU/H (Watts)	36700 (10760)	41700 (12220)	47200 (13830)	53200 (15590)	59700 (17500)	66900 (19610)	74800 (21920)	83500 (24470)	93000 (27260)	
	GPM (L/min)	10.3 (38.9)	12.6 (47.8)	15.3 (58.1)	18.4 (69.8)	22.0 (83.1)	26.1 (98.7)	30.8 (116.8)	36.4 (137.9)	42.9 (162.5)	
	PSIG (kPa)	0.3 (2)	0.4 (3)	0.6 (4.4)	0.9 (6.2)	1.2 (8.6)	1.7 (11.9)	2.4 (16.3)	3.3 (22.4)	4.5 (30.7)	
W076M8 Compressor: 3DA3R10ME	BTU/H (Watts)	48800 (14300)	56300 (16500)	64400 (18870)	73100 (21420)	82400 (24150)	92400 (27080)	103200 (30240)	---	---	
	GPM (L/min)	18.2 (69)	22.5 (85.2)	27.5 (104.1)	33.3 (125.9)	39.9 (150.9)	47.4 (179.4)	56.1 (212.2)	---	---	
	PSIG (kPa)	0.9 (6)	1.3 (9)	1.9 (13.1)	2.7 (18.8)	3.9 (26.6)	5.4 (37.2)	7.5 (51.4)	---	---	
W100M8 Compressor: 3DB3R12ME	BTU/H (Watts)	59300 (17380)	68000 (19930)	77400 (22680)	87500 (25640)	98300 (28810)	109900 (32210)	122300 (35840)	135600 (39740)	149700 (43870)	
	GPM (L/min)	18.4 (69.6)	22.4 (84.7)	27.0 (102.2)	32.3 (122.2)	38.3 (144.9)	45.1 (170.8)	52.8 (200)	61.6 (233)	71.3 (269.8)	
	PSIG (kPa)	0.6 (4.3)	0.9 (6.2)	1.3 (8.8)	1.8 (12.3)	2.5 (17)	3.4 (23.2)	4.6 (31.4)	6.1 (42.1)	8.1 (55.9)	
W150M8 Compressor: 3DS3R17ME	BTU/H (Watts)	80500 (23590)	92200 (27020)	104800 (30710)	118300 (34670)	132800 (38920)	148400 (43490)	165200 (48420)	183100 (53660)	202200 (59260)	
	GPM (L/min)	23.0 (86.9)	28.0 (106)	33.8 (127.9)	40.4 (152.9)	47.9 (181.4)	56.5 (213.8)	66.2 (250.6)	77.1 (291.9)	89.3 (338.2)	
	PSIG (kPa)	0.4 (2.9)	0.6 (4.4)	0.9 (6.4)	1.3 (8.9)	1.8 (12.3)	2.4 (16.6)	3.2 (22.1)	4.2 (29.2)	5.5 (38.2)	
W250M8 Compressor: 4DHNR22ME	BTU/H (Watts)	112500 (32970)	128000 (37510)	144900 (42470)	163400 (47890)	183600 (53810)	205700 (60280)	---	---	---	
	GPM (L/min)	41.9 (158.6)	50.7 (191.9)	60.9 (230.4)	72.7 (275.2)	86.4 (326.9)	102.2 (386.8)	---	---	---	
	PSIG (kPa)	1.4 (9.6)	2.0 (13.6)	2.8 (19)	3.8 (26.2)	5.2 (35.9)	7.1 (48.9)	---	---	---	
W300M8 Compressor: 4DJNR28ME	BTU/H (Watts)	132100 (38710)	151800 (44490)	172900 (50670)	195300 (57240)	219200 (64240)	244700 (71710)	271800 (79660)	300600 (88100)	---	
	GPM (L/min)	38.3 (145.1)	46.5 (175.9)	55.7 (210.9)	66.1 (250.4)	77.9 (294.8)	91.1 (344.8)	105.8 (400.7)	122.3 (463.1)	---	
	PSIG (kPa)	0.9 (6.2)	1.3 (8.9)	1.8 (12.6)	2.5 (17.3)	3.4 (23.6)	4.6 (31.8)	6.1 (42.3)	8.1 (55.8)	---	
W350M8 Compressor: 6DHNR35ME	BTU/H (Watts)	165500 (48500)	188700 (55300)	214000 (62720)	241200 (70690)	270200 (79190)	301100 (88240)	333600 (97770)	367700 (107760)	403300 (118200)	
	GPM (L/min)	44.1 (166.9)	52.3 (197.9)	61.7 (233.6)	72.5 (274.3)	84.6 (320.2)	98.2 (371.8)	113.3 (428.9)	129.9 (491.9)	148.1 (560.7)	
	PSIG (kPa)	1.1 (7.3)	1.5 (10.1)	2.0 (13.7)	2.7 (18.5)	3.6 (24.7)	4.7 (32.7)	6.2 (42.8)	8.1 (55.5)	10.3 (71.3)	
W400M8 Compressor: 6DJNR40ME	BTU/H (Watts)	196600 (57620)	224200 (65710)	254300 (74530)	286700 (84020)	321400 (94190)	358200 (104980)	397000 (116350)	437700 (128280)	---	
	GPM (L/min)	53.9 (203.9)	63.8 (241.6)	75.4 (285.4)	88.6 (335.3)	103.5 (391.9)	120.3 (455.3)	138.9 (525.7)	159.4 (603.3)	---	
	PSIG (kPa)	1.2 (8.2)	1.6 (11.2)	2.2 (15.3)	3.0 (20.7)	4.0 (27.7)	5.3 (36.8)	7.0 (48.3)	9.1 (62.8)	---	

- Outside Operating Range

* = Compressor model number may change based on voltage. See Electrical data on pages 11-12 for details.

NOTES:

- Above ratings are based on mean temperature.
- To convert to dew point ratings, use 0.95 multiplier.
- For R449A, use R448A data.

LOW TEMPERATURE

Capacity Rating Conditions: Entering Water = 85°F (29.4°C), Condensing = 110°F (43.3°C), Subcooling = 0°F (0°C)

MODEL W		SATURATED SUCTION TEMPERATURE °F (°C)											
		-40 (-40)	-35 (-37.2)	-30 (-34.4)	-25 (-31.7)	-20 (-28.9)	-15 (-26.1)	-10 (-23.3)	-5 (-20.6)				
W0075L8 Compressor: KWM*-007E	BTU/H (Watts)	840 (250)	1000 (290)	1300 (380)	1700 (500)	2200 (640)	2800 (820)	3500 (1030)	4200 (1230)				
	GPM (L/min)	0.2 (0.6)	0.2 (0.9)	0.4 (1.4)	0.5 (2)	0.8 (2.9)	1.1 (4)	1.4 (5.5)	1.9 (7.1)				
	PSIG (kPa)	0.1 (0.6)	0.1 (0.6)	0.1 (0.6)	0.1 (0.8)	0.2 (1.2)	0.3 (2)	0.5 (3.7)	0.9 (6.4)				
W010L8 Compressor: KWJ*-01*E	BTU/H (Watts)	1100 (320)	1400 (410)	1800 (530)	2300 (670)	2900 (850)	3700 (1080)	4600 (1350)	5600 (1640)				
	GPM (L/min)	0.4 (1.4)	0.5 (1.9)	0.7 (2.7)	1.0 (3.6)	1.3 (4.9)	1.8 (6.6)	2.3 (8.9)	3.1 (11.7)				
	PSIG (kPa)	0.1 (0.6)	0.1 (0.7)	0.1 (1)	0.2 (1.7)	0.4 (2.9)	0.8 (5.6)	1.5 (10.4)	2.7 (18.5)				
W015L8 Compressor: KWL*-01*E	BTU/H (Watts)	1600 (470)	2000 (590)	2600 (760)	3400 (1000)	4400 (1290)	5500 (1610)	6800 (1990)	8300 (2430)				
	GPM (L/min)	0.9 (3.4)	1.2 (4.4)	1.5 (5.8)	2.1 (7.8)	2.8 (10.5)	3.7 (13.9)	4.8 (18.4)	6.4 (24.1)				
	PSIG (kPa)	0.2 (1.5)	0.3 (2.4)	0.6 (4.2)	1.1 (7.9)	2.2 (14.9)	3.9 (27)	7.0 (48.4)	12.4 (85.4)				
W020L8 Compressor: EAD*-02*E	BTU/H (Watts)	2400 (700)	3200 (940)	4100 (1200)	5200 (1520)	6400 (1880)	7800 (2290)	9300 (2730)	---				
	GPM (L/min)	1.3 (4.7)	1.8 (6.8)	2.5 (9.4)	3.4 (12.8)	4.5 (17.1)	5.9 (22.4)	7.6 (28.8)	---				
	PSIG (kPa)	0.4 (2.8)	0.8 (5.8)	1.7 (11.7)	3.3 (22.8)	6.0 (41.6)	10.7 (73.7)	17.9 (123.2)	---				
W030L8 Compressor: LAH*-03*E	BTU/H (Watts)	3800 (1110)	5600 (1640)	7600 (2230)	9700 (2840)	12000 (3520)	14600 (4280)	---	---				
	GPM (L/min)	1.8 (6.9)	2.9 (10.9)	4.1 (15.7)	5.6 (21.2)	7.3 (27.8)	9.6 (36.2)	---	---				
	PSIG (kPa)	0.5 (3.8)	1.4 (9.4)	2.6 (18)	4.4 (30.3)	7.0 (48.6)	11.2 (76.9)	---	---				
W035L8 Compressor: 2DF3F16KE	BTU/H (Watts)	7800 (2290)	9700 (2840)	11800 (3460)	14100 (4130)	16700 (4890)	19700 (5770)	---	---				
	GPM (L/min)	3.3 (12.6)	4.4 (16.7)	5.7 (21.7)	7.3 (27.5)	9.1 (34.5)	11.4 (43.2)	---	---				
	PSIG (kPa)	1.3 (8.6)	2.2 (14.9)	3.5 (24.4)	5.6 (38.5)	8.6 (59.6)	13.4 (92.1)	---	---				
W040L8 Compressor: 2DL3F20KE	BTU/H (Watts)	9400 (2750)	11600 (3400)	14100 (4130)	17000 (4980)	20300 (5950)	---	---	---				
	GPM (L/min)	4.6 (17.3)	6.0 (22.6)	7.7 (29.1)	9.8 (37.2)	12.5 (47.3)	---	---	---				
	PSIG (kPa)	2.3 (15.9)	3.8 (26.4)	6.2 (43)	10.0 (69.2)	15.9 (109.7)	---	---	---				
W060L8 Compressor: 2DA3F23KE	BTU/H (Watts)	10600 (3110)	13400 (3930)	16500 (4840)	19900 (5830)	23700 (6950)	27900 (8180)	32500 (9520)	37500 (10990)				
	GPM (L/min)	3.7 (13.8)	4.6 (17.3)	5.7 (21.5)	7.0 (26.4)	8.5 (32.1)	10.3 (39)	12.4 (46.9)	14.8 (56.2)				
	PSIG (kPa)	0.5 (3.6)	0.8 (5.6)	1.2 (8.5)	1.8 (12.6)	2.7 (18.5)	3.9 (26.7)	5.5 (38.2)	7.8 (54.1)				
W061L8 Compressor: 3DA3F28KE	BTU/H (Watts)	14000 (4100)	17000 (4980)	20500 (6010)	24400 (7150)	29000 (8500)	34000 (9960)	39700 (11630)	46100 (13510)				
	GPM (L/min)	5.3 (20.2)	6.4 (24.1)	7.7 (29.2)	9.4 (35.5)	11.5 (43.7)	14.1 (53.5)	17.3 (65.6)	21.2 (80.2)				
	PSIG (kPa)	1.1 (7.6)	1.5 (10.6)	2.2 (15.3)	3.2 (22.4)	4.8 (33.3)	7.1 (49.2)	10.6 (72.9)	15.6 (107.6)				
W075L8 Compressor: 3DB3F33KE	BTU/H (Watts)	17100 (5010)	21300 (6240)	25700 (7530)	30500 (8940)	35700 (10460)	41500 (12160)	48000 (14070)	55200 (16180)				
	GPM (L/min)	6.7 (25.4)	8.5 (32.2)	10.6 (40)	13.0 (49.2)	15.9 (60.1)	19.3 (73.2)	23.5 (89.1)	28.6 (108.3)				
	PSIG (kPa)	1.7 (11.8)	2.7 (18.6)	4.1 (28.1)	6.1 (41.9)	8.9 (61.6)	13.1 (90.2)	19.2 (132.2)	28.1 (193.5)				
W090L8 Compressor: 3DF3F40KE	BTU/H (Watts)	19700 (5770)	24800 (7270)	30300 (8880)	36400 (10670)	43000 (12600)	50500 (14800)	58900 (17260)	68200 (19990)				
	GPM (L/min)	7.6 (28.8)	10.4 (39.3)	13.6 (51.5)	17.5 (66.2)	22.1 (83.5)	27.7 (104.8)	34.6 (130.8)	42.9 (162.5)				
	PSIG (kPa)	0.2 (1.1)	0.3 (2.1)	0.5 (3.5)	0.8 (5.6)	1.3 (8.6)	1.9 (13.3)	2.9 (20.3)	4.5 (30.7)				
W100L8 Compressor: 3DS3F46KE	BTU/H (Watts)	21600 (6330)	27200 (7970)	33300 (9760)	39900 (11690)	47200 (13830)	55400 (16240)	64600 (18930)	74800 (21920)				
	GPM (L/min)	9.1 (34.6)	12.4 (47)	16.3 (61.5)	20.8 (78.7)	26.2 (99.3)	32.9 (124.5)	41.1 (155.4)	51.0 (193.1)				
	PSIG (kPa)	0.2 (1.6)	0.4 (2.9)	0.7 (4.9)	1.1 (7.7)	1.7 (12)	2.7 (18.5)	4.1 (28.2)	6.2 (42.8)				
W150L8 Compressor: 4DHNF63KE	BTU/H (Watts)	30900 (9060)	39100 (11460)	47700 (13980)	56600 (16590)	66000 (19340)	76100 (22300)	87000 (25500)	98800 (28960)				
	GPM (L/min)	12.2 (46)	17.1 (64.6)	22.4 (84.9)	28.2 (106.8)	34.6 (131.1)	41.9 (158.4)	50.1 (189.7)	59.7 (226.1)				
	PSIG (kPa)	0.3 (1.9)	0.5 (3.7)	0.9 (6.2)	1.4 (9.5)	2.0 (14)	2.9 (20.1)	4.1 (28.4)	5.8 (39.7)				
W200L8 Compressor: 4DJNF76KE	BTU/H (Watts)	37700 (11050)	47900 (14040)	58400 (17120)	69500 (20370)	81400 (23860)	94700 (27750)	109400 (32060)	---				
	GPM (L/min)	17.5 (66.1)	23.9 (90.6)	31.2 (118)	39.4 (149.2)	48.9 (185)	60.1 (227.6)	73.5 (278.4)	---				
	PSIG (kPa)	0.6 (3.9)	1.0 (7)	1.7 (11.5)	2.6 (17.9)	3.9 (27)	5.8 (40.3)	8.6 (59.4)	---				
W250L8 Compressor: 6DHNF93KE	BTU/H (Watts)	45200 (13250)	57100 (16730)	69800 (20460)	83400 (24440)	98100 (28750)	114400 (33530)	132200 (38740)	152000 (44550)				
	GPM (L/min)	21.6 (81.9)	27.8 (105.1)	35.6 (134.7)	45.2 (171.1)	57.0 (215.6)	71.3 (270)	88.4 (334.6)	108.7 (411.7)				
	PSIG (kPa)	0.4 (2.5)	0.6 (4.3)	1.0 (7)	1.6 (11)	2.4 (16.8)	3.7 (25.3)	5.4 (37.5)	8.0 (54.9)				
W300L8 Compressor: 6DJNF11ME	BTU/H (Watts)	53900 (15800)	68700 (20130)	84300 (24710)	100700 (29510)	118500 (34730)	138100 (40470)	---	---				
	GPM (L/min)	28.7 (108.8)	38.0 (143.7)	49.3 (186.4)	62.8 (237.6)	79.2 (299.6)	99.0 (374.7)	---	---				
	PSIG (kPa)	0.7 (4.8)	1.2 (8)	1.9 (12.9)	2.9 (20.1)	4.4 (30.6)	6.7 (46.2)	---	---				

- Outside Operating Range

* = Compressor model number may change based on voltage. See Electrical data on pages 11-12 for details.

NOTES:

- Above ratings are based on mean temperature.
- To convert to dew point ratings, use 0.95 multiplier.
- For R449A, use R448A data.

CAPACITY DATA - R407C HIGH / MEDIUM TEMPERATURE

Capacity Rating Conditions: Entering Water = 85°F (29.4°C), Condensing = 110°F (43.3°C), Subcooling = 0°F (0°C)

MODEL W		SATURATED SUCTION TEMPERATURE °F (°C)									
		-5 (-20.6)	10 (-12.2)	15 (-9.4)	20 (-6.7)	25 (-3.9)	30 (-1.1)	35 (1.7)	40 (4.4)		
W050M8 Compressor: 2DC3R53KE	BTU/H (Watts)	18800 (5510)	28600 (8380)	32900 (9640)	37800 (11080)	43300 (12690)	49400 (14480)	56100 (16440)	63500 (18610)		
	GPM (L/min)	3.7 (14.1)	7.1 (26.7)	8.7 (33.1)	10.8 (41)	13.4 (50.7)	16.4 (62.2)	20.1 (76)	24.4 (92.5)		
	PSIG (kPa)	0.5 (3.7)	1.9 (13)	2.8 (19.6)	4.3 (29.5)	6.4 (44.3)	9.6 (65.9)	14.1 (97.2)	20.7 (142.4)		
W051M8 Compressor: 2DD3R63KE	BTU/H (Watts)	22600 (6620)	33700 (9880)	38600 (11310)	44200 (12950)	50500 (14800)	57400 (16820)	65100 (19080)	---	---	
	GPM (L/min)	5.3 (19.9)	9.5 (36)	11.7 (44.2)	14.4 (54.4)	17.7 (66.8)	21.6 (81.7)	26.3 (99.7)	---	---	
	PSIG (kPa)	1.1 (7.4)	3.3 (22.9)	4.9 (34)	7.4 (50.7)	11.0 (75.6)	16.2 (111.7)	23.9 (164.8)	---	---	
W075M8 Compressor: 2DL3R78KE	BTU/H (Watts)	29600 (8670)	43200 (12660)	49200 (14420)	56000 (16410)	63700 (18670)	72200 (21160)	81600 (23910)	91900 (26930)		
	GPM (L/min)	5.5 (20.8)	12.2 (46.3)	15.7 (59.5)	20.0 (75.9)	25.4 (96.1)	31.9 (120.6)	39.7 (150.2)	49.1 (185.8)		
	PSIG (kPa)	0.1 (0.5)	0.4 (2.8)	0.7 (4.6)	1.0 (7.2)	1.6 (11.3)	2.5 (17.4)	3.8 (26.4)	5.8 (39.7)		
W076M8 Compressor: 3DA3R10ME	BTU/H (Watts)	39400 (11550)	60900 (17850)	69000 (20220)	77800 (22800)	87200 (25560)	97400 (28550)	---	---	---	
	GPM (L/min)	11.9 (45.1)	26.5 (100.2)	32.8 (124.3)	40.2 (152.2)	48.7 (184.2)	58.4 (221.1)	---	---	---	
	PSIG (kPa)	0.4 (2.7)	1.8 (12.2)	2.7 (18.4)	3.9 (27.1)	5.7 (39.1)	8.1 (55.6)	---	---	---	
W100M8 Compressor: 3DB3R12ME	BTU/H (Watts)	48200 (14130)	73200 (21450)	82600 (24210)	92700 (27170)	103700 (30390)	115400 (33820)	128200 (37570)	142000 (41620)		
	GPM (L/min)	11.7 (44.1)	25.1 (94.9)	30.9 (116.8)	37.4 (141.7)	45.0 (170.5)	53.6 (203)	63.5 (240.5)	74.8 (283.3)		
	PSIG (kPa)	0.3 (1.8)	1.1 (7.6)	1.6 (11.3)	2.4 (16.3)	3.4 (23.1)	4.7 (32.3)	6.5 (44.8)	8.9 (61.5)		
W150M8 Compressor: 3DS3R17ME	BTU/H (Watts)	64200 (18820)	97200 (28490)	109600 (32120)	122900 (36020)	137300 (40240)	152800 (44780)	169600 (49700)	187900 (55070)		
	GPM (L/min)	13.2 (49.9)	29.5 (111.7)	36.5 (138.1)	44.4 (168.2)	53.5 (202.6)	63.9 (241.8)	75.8 (286.8)	89.4 (338.4)		
	PSIG (kPa)	0.1 (0.5)	0.7 (4.9)	1.1 (7.4)	1.5 (10.7)	2.2 (15)	3.0 (20.7)	4.1 (28.3)	5.6 (38.3)		
W250M8 Compressor: 4DHNR22ME	BTU/H (Watts)	88600 (25970)	133200 (39040)	151300 (44340)	171200 (50170)	193400 (56680)	---	---	---	---	
	GPM (L/min)	28.3 (107.2)	57.4 (217.2)	70.9 (268.3)	86.8 (328.7)	106.0 (401.4)	---	---	---	---	
	PSIG (kPa)	0.7 (4.5)	2.5 (17)	3.6 (25)	5.3 (36.3)	7.6 (52.4)	---	---	---	---	
W300M8 Compressor: 4DJNR28ME	BTU/H (Watts)	107100 (31390)	158500 (46450)	178500 (52310)	200900 (58880)	226200 (66290)	254700 (74640)	287200 (84170)	---	---	
	GPM (L/min)	26.9 (101.9)	51.4 (194.7)	62.2 (235.6)	75.1 (284.4)	90.7 (343.4)	109.6 (414.8)	132.8 (502.6)	---	---	
	PSIG (kPa)	0.5 (3.1)	1.6 (10.8)	2.2 (15.5)	3.2 (22.1)	4.6 (31.5)	6.6 (45.2)	9.5 (65.2)	---	---	
W350M8 Compressor: 6DHNR35ME	BTU/H (Watts)	107100 (31390)	158500 (46450)	178500 (52310)	200900 (58880)	226200 (66290)	254700 (74640)	287200 (84170)	---	---	
	GPM (L/min)	26.9 (101.9)	51.4 (194.7)	62.2 (235.6)	75.1 (284.4)	90.7 (343.4)	109.6 (414.8)	132.8 (502.6)	---	---	
	PSIG (kPa)	0.5 (3.1)	1.6 (10.8)	2.2 (15.5)	3.2 (22.1)	4.6 (31.5)	6.6 (45.2)	9.5 (65.2)	---	---	
W400M8 Compressor: 6DJNR40ME	BTU/H (Watts)	156900 (45980)	226500 (66380)	255900 (75000)	291400 (85400)	334800 (98120)	387800 (113650)	---	---	---	
	GPM (L/min)	38.1 (144.1)	67.9 (257)	81.2 (307.5)	98.2 (371.8)	120.6 (456.6)	150.6 (570.2)	---	---	---	
	PSIG (kPa)	0.6 (4.3)	1.8 (12.6)	2.6 (17.6)	3.6 (25.1)	5.4 (37)	8.2 (56.4)	---	---	---	

--- Outside Operating Range

NOTES:

- Above ratings are based on mean temperature.
- To convert to dew point ratings, use 0.95 multiplier.

CAPACITY DATA - R404A R507 HIGH / MEDIUM TEMPERATURE

Capacity Rating Conditions: Entering Water = 85°F (29.4°C), Condensing = 110°F (43.3°C), Subcooling = 0°F (0°C)

MODEL W	SATURATED SUCTION TEMPERATURE °F (°C)								
		0 (-17.8)	5 (-15)	10 (-12.2)	15 (-9.4)	20 (-6.7)	25 (-3.9)		
W010M6 Compressor: KWR*-010E	BTU/H (Watts)	5500 (1610)	6300 (1850)	7200 (2110)	8100 (2370)	9000 (2640)	9900 (2900)		
	GPM (L/min)	1.4 (5.4)	1.7 (6.2)	1.9 (7.2)	2.2 (8.3)	2.5 (9.5)	2.9 (10.8)		
	PSIG (kPa)	0.5 (3.7)	0.7 (5)	1.0 (6.8)	1.3 (9.2)	1.8 (12.1)	2.3 (15.7)		
W020M6 Compressor: KW*-02*E	BTU/H (Watts)	9400 (2750)	10600 (3110)	11800 (3460)	13200 (3870)	14800 (4340)	16700 (4890)		
	GPM (L/min)	2.2 (8.2)	2.4 (9.2)	2.7 (10.3)	3.1 (11.6)	3.5 (13.2)	4.0 (15.2)		
	PSIG (kPa)	0.8 (5.2)	0.9 (6.5)	1.2 (8)	1.4 (9.9)	1.8 (12.5)	2.4 (16.4)		
W021M6 Compressor: ERCA-021E	BTU/H (Watts)	11200 (3280)	12800 (3750)	14600 (4280)	16400 (4810)	18500 (5420)	20800 (6100)		
	GPM (L/min)	2.6 (9.7)	3.0 (11.3)	3.5 (13.1)	4.0 (15.2)	4.7 (17.8)	5.5 (20.9)		
	PSIG (kPa)	1.0 (7)	1.4 (9.4)	1.8 (12.4)	2.4 (16.4)	3.2 (21.9)	4.3 (29.5)		

* = Compressor model number may change based on voltage. See Electrical data on pages 11-12 for details.

CAPACITY DATA - R404A R507 HIGH / MEDIUM TEMPERATURE

Capacity Rating Conditions: Entering Water = 85°F (29.4°C), Condensing = 110°F (43.3°C), Subcooling = 0°F (0°C)

MODEL W	SATURATED SUCTION TEMPERATURE °F (°C)								
		0 (-17.8)	10 (-12.2)	20 (-6.7)	25 (-3.9)	30 (-1.1)	35 (1.7)	40 (4.4)	
W030M8 Compressor: ERF*-031E	BTU/H (Watts)	16400 (4810)	21100 (6180)	26700 (7820)	30000 (8790)	-	-	-	-
	GPM (L/min)	3.8 (14.4)	5.2 (19.5)	7.1 (26.7)	8.4 (31.6)	-	-	-	-
	PSIG (kPa)	1.6 (11)	2.9 (19.9)	5.3 (36.5)	7.3 (50.6)	-	-	-	-
W050M8 Compressor: 2DC3R53KE	BTU/H (Watts)	24800 (7270)	32300 (9470)	41400 (12130)	46600 (13660)	52200 (15300)	58300 (17090)	64800 (18990)	
	GPM (L/min)	4.6 (17.3)	6.0 (22.8)	7.9 (30.1)	9.2 (34.7)	10.6 (40)	12.2 (46.3)	14.2 (53.8)	
	PSIG (kPa)	0.8 (5.6)	1.4 (9.5)	2.4 (16.3)	3.1 (21.4)	4.1 (28.1)	5.4 (37.3)	7.2 (49.8)	
W051M8 Compressor: 2DD3R63KE	BTU/H (Watts)	30200 (8850)	39000 (11430)	49800 (14590)	55900 (16380)	62500 (18320)	69600 (20400)	77200 (22630)	
	GPM (L/min)	5.8 (21.9)	7.7 (29.1)	10.4 (39.3)	12.1 (45.8)	14.2 (53.6)	16.6 (63)	19.7 (74.4)	
	PSIG (kPa)	1.3 (8.8)	2.2 (15.3)	3.9 (27.2)	5.3 (36.5)	7.2 (49.4)	9.8 (67.4)	13.5 (93)	
W075M8 Compressor: 2DL3R78KE	BTU/H (Watts)	37700 (11050)	48200 (14130)	61000 (17880)	68300 (20020)	76200 (22330)	84800 (24850)	94000 (27550)	
	GPM (L/min)	8.5 (32.2)	11.3 (42.7)	15.1 (57.2)	17.5 (66.4)	20.5 (77.4)	24.0 (90.7)	28.2 (106.9)	
	PSIG (kPa)	0.2 (1.4)	0.4 (2.4)	0.6 (4.2)	0.8 (5.6)	1.1 (7.5)	1.5 (10.1)	2.0 (13.8)	
W076M8 Compressor: 3DA3R10ME	BTU/H (Watts)	52100 (15270)	66000 (19340)	82700 (24240)	92200 (27020)	102600 (30070)	113800 (33350)	126000 (36930)	
	GPM (L/min)	13.5 (51.3)	18.4 (69.7)	25.5 (96.5)	30.4 (114.9)	36.5 (138.2)	44.5 (168.3)	51.8 (196.2)	
	PSIG (kPa)	0.5 (3.4)	0.9 (6.1)	1.7 (11.4)	2.3 (15.9)	3.3 (22.5)	4.8 (32.8)	5.9 (40.8)	
W100M8 Compressor: 3DB3R12ME	BTU/H (Watts)	63000 (18460)	79300 (23240)	98600 (28900)	109600 (32120)	121600 (35640)	134500 (39420)	148700 (43580)	
	GPM (L/min)	14.3 (54.3)	18.9 (71.4)	25.0 (94.7)	29.0 (109.8)	33.8 (127.9)	39.7 (150.3)	47.1 (178.3)	
	PSIG (kPa)	0.4 (2.6)	0.7 (4.5)	1.1 (7.6)	1.5 (10.1)	2.0 (13.4)	2.6 (18.2)	3.7 (25.2)	
W150M8 Compressor: 3DS3R17ME	BTU/H (Watts)	86300 (25290)	108600 (31830)	135300 (39650)	150500 (44110)	167100 (48970)	185100 (54250)	204700 (59990)	
	GPM (L/min)	19.0 (72.1)	24.8 (94)	32.7 (123.8)	37.7 (142.7)	43.7 (165.6)	51.0 (193.2)	60.0 (227.2)	
	PSIG (kPa)	0.3 (2.1)	0.5 (3.4)	0.9 (5.9)	1.1 (7.7)	1.5 (10.1)	2.0 (13.6)	2.7 (18.5)	
W250M8 Compressor: 4DHNR22ME	BTU/H (Watts)	114900 (33670)	146200 (42850)	183800 (53870)	204600 (59960)	226500 (66380)	249300 (73060)	273000 (80010)	
	GPM (L/min)	28.9 (109.3)	39.5 (149.5)	55.4 (209.6)	66.1 (250.2)	79.4 (300.6)	96.1 (363.7)	112.4 (425.3)	
	PSIG (kPa)	0.7 (4.6)	1.2 (8.3)	2.3 (15.9)	3.2 (22.2)	4.6 (31.4)	6.6 (45.2)	8.3 (57.2)	
W300M8 Compressor: 4DJNR28ME	BTU/H (Watts)	137500 (40300)	175600 (51460)	220800 (64710)	246100 (72120)	273400 (80130)	302700 (88710)	334000 (97890)	
	GPM (L/min)	28.7 (108.7)	38.3 (144.8)	51.4 (194.4)	59.8 (226.3)	69.9 (264.5)	82.1 (310.8)	97.2 (367.9)	
	PSIG (kPa)	0.5 (3.6)	0.9 (6.2)	1.6 (10.8)	2.1 (14.3)	2.8 (19.2)	3.8 (26.1)	5.2 (35.9)	
W350M8 Compressor: 6DHNR35ME	BTU/H (Watts)	175200 (51350)	221700 (64970)	277400 (81300)	309100 (90590)	343700 (100730)	381400 (111780)	422200 (123730)	
	GPM (L/min)	33.9 (128.3)	44.2 (167.2)	58.0 (219.5)	66.8 (252.8)	77.3 (292.6)	90.0 (340.8)	105.7 (400)	
	PSIG (kPa)	0.7 (4.5)	1.1 (7.3)	1.8 (12.1)	2.3 (15.9)	3.0 (20.9)	4.0 (27.8)	5.5 (37.6)	
W400M8 Compressor: 6DJNR40ME	BTU/H (Watts)	208000 (60960)	261900 (76760)	325400 (95360)	360900 (105770)	398900 (116910)	439500 (128800)	482800 (141490)	
	GPM (L/min)	41.2 (156)	53.5 (202.7)	70.0 (264.9)	80.3 (304)	92.5 (350.1)	107.0 (405.2)	124.6 (471.5)	
	PSIG (kPa)	0.7 (5)	1.2 (8.1)	1.9 (13.3)	2.5 (17.2)	3.3 (22.5)	4.3 (29.6)	5.7 (39.4)	

- Outside Operating Range

* = Compressor model number may change based on voltage. See Electrical data on pages 11-12 for details.

LOW TEMPERATURE

Capacity Rating Conditions: Entering Water = 85°F (29.4°C), Condensing = 110°F (43.3°C), Subcooling = 0°F (0°C)

MODEL W		SATURATED SUCTION TEMPERATURE °F (°C)											
		-40 (-40)	-35 (-37.2)	-30 (-34.4)	-25 (-31.7)	-20 (-28.9)	-15 (-26.1)	-10 (-23.3)	-5 (-20.6)				
W0075L6 Compressor: KWM*-007E	BTU/H (Watts)	-	-	2360 (690)	2800 (820)	3320 (970)	3910 (1150)	4550 (1330)	5230 (1530)				
	GPM (L/min)	-	-	0.7 (2.5)	0.7 (2.6)	0.8 (3.1)	1.0 (3.6)	1.1 (4.2)	1.3 (4.8)				
	PSIG (kPa)	-	-	0.1 (0.6)	0.1 (0.8)	0.2 (1.2)	0.2 (1.6)	0.3 (2.2)	0.4 (3)				
W010L6 Compressor: KWJ*-01*E	BTU/H (Watts)	2100 (620)	2590 (760)	3120 (910)	3690 (1080)	4320 (1270)	5010 (1470)	5780 (1690)	6640 (1950)				
	GPM (L/min)	0.5 (2)	0.7 (2.5)	0.8 (3)	0.9 (3.6)	1.1 (4.2)	1.3 (4.9)	1.5 (5.7)	1.8 (6.7)				
	PSIG (kPa)	0.1 (0.6)	0.1 (0.8)	0.2 (1.1)	0.2 (1.6)	0.3 (2.2)	0.4 (3)	0.6 (4.2)	0.8 (5.8)				
W015L6 Compressor: KWL*-01*E	BTU/H (Watts)	2990 (880)	3860 (1130)	4710 (1380)	5580 (1640)	6490 (1900)	7460 (2190)	8520 (2500)	9690 (2840)				
	GPM (L/min)	0.9 (3.3)	1.1 (4.2)	1.4 (5.2)	1.7 (6.2)	2.0 (7.5)	2.3 (8.9)	2.8 (10.5)	3.3 (12.6)				
	PSIG (kPa)	0.2 (1.3)	0.3 (2.2)	0.5 (3.4)	0.7 (5)	1.1 (7.3)	1.5 (10.5)	2.2 (15)	3.2 (21.9)				
W020L6 Compressor: EAD*-02*E	BTU/H (Watts)	3420 (1000)	4310 (1260)	5250 (1540)	6260 (1830)	7370 (2160)	8600 (2520)	9990 (2930)	11500 (3370)				
	GPM (L/min)	1.0 (3.8)	1.3 (4.8)	1.6 (6)	1.9 (7.3)	2.4 (9)	2.9 (11.1)	3.7 (13.8)	4.6 (17.5)				
	PSIG (kPa)	0.3 (1.8)	0.4 (2.9)	0.7 (4.6)	1.0 (7)	1.6 (10.8)	2.4 (16.7)	3.8 (26.4)	6.3 (43.6)				
W030L6 Compressor: LAH*-03*E	BTU/H (Watts)	5660 (1660)	7280 (2130)	9130 (2680)	11200 (3280)	13600 (3990)	16100 (4720)	18900 (5540)	21900 (6420)				
	GPM (L/min)	1.5 (5.6)	1.9 (7)	2.4 (8.9)	3.0 (11.2)	3.7 (14)	4.7 (17.6)	5.9 (22.1)	7.4 (28)				
	PSIG (kPa)	0.4 (2.6)	0.6 (3.9)	0.9 (6.1)	1.3 (9.2)	2.1 (14.1)	3.1 (21.5)	4.8 (33)	7.4 (51)				
W035L6 Compressor: 2DF3F16KE	BTU/H (Watts)	9600 (2810)	11600 (3400)	13900 (4070)	16300 (4780)	19000 (5570)	22000 (6450)	25300 (7410)	28900 (8470)				
	GPM (L/min)	2.4 (9)	3.0 (11.2)	3.6 (13.6)	4.3 (16.4)	5.2 (19.7)	6.3 (23.7)	7.6 (28.7)	9.3 (35.1)				
	PSIG (kPa)	0.7 (4.5)	1.0 (6.8)	1.4 (9.9)	2.1 (14.2)	2.9 (20.3)	4.2 (29)	6.1 (42)	9.0 (61.7)				
W040L6 Compressor: 2DL3F20KE	BTU/H (Watts)	11900 (3490)	14300 (4190)	17000 (4980)	19900 (5830)	23100 (6770)	26600 (7800)	30400 (8910)	34600 (10140)				
	GPM (L/min)	3.1 (11.5)	3.8 (14.2)	4.6 (17.4)	5.6 (21.2)	6.9 (26)	8.4 (31.9)	10.5 (39.7)	13.3 (50.2)				
	PSIG (kPa)	1.1 (7.2)	1.6 (10.8)	2.3 (15.9)	3.4 (23.4)	5.0 (34.5)	7.5 (51.6)	11.4 (78.6)	17.9 (123.4)				
W060L6 Compressor: 2DA3F23KE	BTU/H (Watts)	14100 (4130)	16900 (4950)	19900 (5830)	23100 (6770)	26600 (7800)	30500 (8940)	34700 (10170)	39300 (11520)				
	GPM (L/min)	3.0 (11.2)	3.5 (13.4)	4.1 (15.7)	4.8 (18.2)	5.6 (21.1)	6.4 (24.4)	7.4 (28.2)	8.6 (32.6)				
	PSIG (kPa)	0.4 (2.5)	0.5 (3.4)	0.7 (4.6)	0.9 (6.2)	1.2 (8.2)	1.6 (10.9)	2.1 (14.3)	2.7 (18.9)				
W061L6 Compressor: 3DA3F28KE	BTU/H (Watts)	17400 (5100)	20500 (6010)	24000 (7030)	27800 (8150)	32000 (9380)	36600 (10730)	41600 (12190)	47100 (13800)				
	GPM (L/min)	3.8 (14.4)	4.5 (17)	5.3 (19.9)	6.1 (23.2)	7.1 (27)	8.3 (31.5)	9.7 (36.6)	11.3 (42.9)				
	PSIG (kPa)	0.6 (3.9)	0.8 (5.4)	1.1 (7.3)	1.4 (9.9)	1.9 (13.2)	2.6 (17.7)	3.5 (23.8)	4.7 (32.1)				
W075L6 Compressor: 3DB3F33KE	BTU/H (Watts)	20600 (6040)	24500 (7180)	28600 (8380)	33100 (9700)	37900 (11110)	43200 (12660)	49100 (14390)	55600 (16290)				
	GPM (L/min)	4.7 (17.7)	5.6 (21.1)	6.6 (25)	7.8 (29.4)	9.1 (34.5)	10.7 (40.5)	12.7 (47.9)	15.1 (57)				
	PSIG (kPa)	0.9 (5.9)	1.2 (8.3)	1.7 (11.4)	2.3 (15.6)	3.1 (21.2)	4.2 (28.9)	5.8 (39.8)	8.1 (55.6)				
W090L6 Compressor: 3DF3F40KE	BTU/H (Watts)	25200 (7390)	29700 (8700)	34700 (10170)	40200 (11780)	46300 (13570)	52900 (15500)	60200 (17640)	68100 (19960)				
	GPM (L/min)	6.5 (24.7)	7.8 (29.5)	9.3 (35.1)	11.0 (41.6)	13.0 (49.2)	15.4 (58.3)	18.3 (69.2)	21.8 (82.4)				
	PSIG (kPa)	0.1 (0.8)	0.2 (1.2)	0.2 (1.7)	0.3 (2.3)	0.5 (3.2)	0.6 (4.3)	0.9 (6.1)	1.2 (8.4)				
W100L6 Compressor: 3DS3F46KE	BTU/H (Watts)	28700 (8410)	33900 (9940)	39500 (11580)	45700 (13390)	52400 (15360)	59600 (17470)	67500 (19780)	76000 (22270)				
	GPM (L/min)	7.7 (29.1)	9.3 (35.1)	11.1 (41.9)	13.2 (50)	15.7 (59.6)	18.8 (71)	22.4 (84.7)	26.8 (101.5)				
	PSIG (kPa)	0.2 (1.2)	0.2 (1.7)	0.3 (2.3)	0.5 (3.2)	0.7 (4.6)	0.9 (6.3)	1.3 (8.9)	1.8 (12.5)				
W150L6 Compressor: 4DHNF63KE	BTU/H (Watts)	38000 (11140)	45900 (13450)	53900 (15800)	62400 (18290)	71400 (20930)	81000 (23740)	91500 (26820)	103000 (30190)				
	GPM (L/min)	9.8 (36.9)	11.9 (45)	14.2 (53.8)	16.8 (63.6)	19.8 (74.8)	23.2 (87.9)	27.3 (103.4)	32.4 (122.5)				
	PSIG (kPa)	0.2 (1.3)	0.3 (1.9)	0.4 (2.6)	0.5 (3.6)	0.7 (4.9)	1.0 (6.6)	1.3 (9)	1.8 (12.3)				
W200L6 Compressor: 4DJNF76KE	BTU/H (Watts)	46300 (13570)	55700 (16320)	65400 (19170)	75600 (22160)	86400 (25320)	97900 (28690)	110200 (32300)	123500 (36190)				
	GPM (L/min)	12.2 (46.3)	15.2 (57.3)	18.4 (69.7)	22.2 (83.8)	26.5 (100.3)	31.7 (119.9)	38.0 (144)	46.0 (174.2)				
	PSIG (kPa)	0.3 (1.9)	0.4 (3)	0.6 (4.3)	0.9 (6)	1.2 (8.5)	1.7 (11.9)	2.4 (16.8)	3.5 (24.1)				
W250L6 Compressor: 6DHNF93KE	BTU/H (Watts)	56300 (16500)	67200 (19690)	79400 (23270)	92700 (27170)	107200 (31420)	122900 (36020)	139600 (40910)	157400 (46130)				
	GPM (L/min)	14.2 (53.6)	17.1 (64.9)	20.6 (78.1)	24.7 (93.5)	29.5 (111.6)	35.2 (133.1)	41.8 (158.2)	49.9 (188.7)				
	PSIG (kPa)	0.2 (1.2)	0.3 (1.7)	0.4 (2.5)	0.5 (3.4)	0.7 (4.8)	1.0 (6.7)	1.4 (9.3)	1.9 (13)				
W300L6 Compressor: 6DJNF11ME	BTU/H (Watts)	64900 (19020)	77100 (22600)	90300 (26460)	104600 (30660)	120300 (35260)	137300 (40240)	155900 (45690)	176200 (51640)				
	GPM (L/min)	17.5 (66.1)	21.2 (80.3)	25.6 (96.8)	30.7 (116.2)	36.9 (139.5)	44.4 (167.9)	53.7 (203.2)	65.6 (248.1)				
	PSIG (kPa)	0.3 (1.8)	0.4 (2.6)	0.5 (3.7)	0.8 (5.2)	1.1 (7.3)	1.5 (10.4)	2.2 (15)	3.2 (21.9)				

* = Compressor model number may change based on voltage. See Electrical data on pages 11-12 for details.

NOTES:

- Above ratings are based on mean temperature.
- To convert to dew point ratings, use 0.95 multiplier.

W

CAPACITY DATA - R22

60Hz

HIGH / MEDIUM TEMPERATURE

Capacity Rating Conditions: Entering Water = 85°F (29.4°C), Condensing = 110°F (43.3°C), Subcooling = 0°F (0°C)

MODEL W		SATURATED SUCTION TEMPERATURE °F (°C)								
		10 (-12.2)	15 (-9.4)	20 (-6.7)	25 (-3.9)	30 (-1.1)	35 (1.7)	40 (4.4)	45 (7.2)	
W030M8 Compressor: ERF*-031E	BTU/H (Watts)	19300 (5660)	21900 (6420)	24600 (7210)	27600 (8090)	30900 (9060)	34400 (10080)	38200 (11200)	42300 (12400)	
	GPM (L/min)	4.1 (15.5)	4.7 (17.9)	5.4 (20.6)	6.3 (23.8)	7.3 (27.5)	8.5 (32)	9.9 (37.4)	11.6 (44)	
	PSIG (kPa)	1.9 (12.8)	2.4 (16.8)	3.2 (22.1)	4.2 (29.2)	5.6 (38.7)	7.5 (51.7)	10.1 (69.8)	13.9 (95.6)	
W050M8 Compressor: 2DC3R53KE	BTU/H (Watts)	30600 (8970)	35100 (10290)	39900 (11690)	45100 (13220)	50800 (14890)	56900 (16680)	63500 (18610)	70600 (20690)	
	GPM (L/min)	5.3 (20)	6.1 (23.1)	7.0 (26.5)	8.0 (30.4)	9.2 (34.8)	10.5 (39.9)	12.1 (45.8)	13.9 (52.7)	
	PSIG (kPa)	1.1 (7.4)	1.4 (9.7)	1.9 (12.8)	2.4 (16.5)	3.1 (21.5)	4.1 (28)	5.3 (36.5)	6.9 (47.8)	
W051M8 Compressor: 2DD3R63KE	BTU/H (Watts)	36000 (10550)	41100 (12050)	46600 (13660)	52500 (15390)	58900 (17260)	65900 (19310)	73400 (21510)	81500 (23890)	
	GPM (L/min)	6.5 (24.4)	7.5 (28.2)	8.6 (32.5)	9.9 (37.4)	11.4 (43.2)	13.2 (49.9)	15.3 (57.8)	17.8 (67.2)	
	PSIG (kPa)	1.6 (10.9)	2.1 (14.3)	2.7 (18.9)	3.6 (24.8)	4.7 (32.6)	6.2 (43)	8.3 (57.2)	11.1 (76.5)	
W075M8 Compressor: 2DL3R78KE	BTU/H (Watts)	45900 (13450)	52100 (15270)	58800 (17230)	66100 (19370)	73900 (21660)	82300 (24120)	91400 (26790)	101300 (29690)	
	GPM (L/min)	9.7 (36.8)	11.3 (42.6)	13.0 (49.2)	15.0 (56.6)	17.2 (65.2)	19.9 (75.1)	22.9 (86.8)	26.6 (100.8)	
	PSIG (kPa)	0.3 (1.9)	0.4 (2.4)	0.5 (3.2)	0.6 (4.1)	0.8 (5.4)	1.0 (7.1)	1.4 (9.3)	1.8 (12.3)	
W076M8 Compressor: 3DA3R10ME	BTU/H (Watts)	64300 (18840)	72400 (21220)	81100 (23770)	90600 (26550)	100800 (29540)	111900 (32790)	123800 (36280)	136700 (40060)	
	GPM (L/min)	15.8 (60)	18.4 (69.6)	21.4 (80.9)	24.9 (94.3)	29.2 (110.5)	34.4 (130.2)	40.8 (154.5)	48.9 (185.2)	
	PSIG (kPa)	0.7 (4.6)	0.9 (6.1)	1.2 (8.1)	1.6 (10.9)	2.1 (14.7)	2.9 (20.1)	4.0 (27.9)	5.7 (39.3)	
W100M8 Compressor: 3DB3R12ME	BTU/H (Watts)	77300 (22650)	86600 (25380)	96600 (28310)	107600 (31530)	119400 (34990)	132200 (38740)	146000 (42790)	160900 (47150)	
	GPM (L/min)	16.5 (62.6)	18.9 (71.4)	21.5 (81.5)	24.6 (93.2)	28.2 (106.9)	32.5 (123)	37.5 (142)	43.5 (164.7)	
	PSIG (kPa)	0.5 (3.4)	0.7 (4.5)	0.8 (5.7)	1.1 (7.4)	1.4 (9.6)	1.8 (12.5)	2.4 (16.3)	3.1 (21.6)	
W150M8 Compressor: 3DS3R17ME	BTU/H (Watts)	102100 (29920)	114500 (33560)	127900 (37480)	142500 (41760)	158300 (46390)	175400 (51400)	193900 (56830)	213900 (62690)	
	GPM (L/min)	21.1 (79.7)	24.0 (90.7)	27.3 (103.2)	31.0 (117.4)	35.4 (133.9)	40.4 (152.9)	46.3 (175.2)	53.2 (201.5)	
	PSIG (kPa)	0.4 (2.6)	0.5 (3.2)	0.6 (4.1)	0.8 (5.3)	1.0 (6.8)	1.3 (8.8)	1.6 (11.3)	2.1 (14.8)	
W250M8 Compressor: 4DHN22ME	BTU/H (Watts)	138100 (40470)	157200 (46070)	178000 (52170)	200300 (58700)	224100 (65680)	248900 (72950)	274700 (80510)	301200 (88270)	
	GPM (L/min)	32.2 (122)	37.9 (143.6)	44.8 (169.5)	52.9 (200.4)	62.7 (237.3)	74.4 (281.6)	88.4 (334.7)	103.1 (390.3)	
	PSIG (kPa)	0.8 (5.7)	1.1 (7.7)	1.5 (10.6)	2.1 (14.5)	2.9 (20.1)	4.0 (27.8)	5.6 (38.6)	7.1 (49)	
W300M8 Compressor: 4DJNR28ME	BTU/H (Watts)	163700 (47980)	185300 (54310)	208700 (61160)	234000 (68580)	261100 (76520)	289900 (84960)	320500 (93930)	352800 (103400)	
	GPM (L/min)	32.1 (121.3)	36.9 (139.6)	42.4 (160.7)	48.9 (184.9)	56.3 (213)	64.9 (245.7)	75.0 (283.7)	86.7 (328.2)	
	PSIG (kPa)	0.6 (4.4)	0.8 (5.8)	1.1 (7.5)	1.4 (9.8)	1.9 (12.8)	2.4 (16.8)	3.2 (22)	4.2 (29)	
W350M8 Compressor: 6DHN35ME	BTU/H (Watts)	204600 (59960)	229000 (67110)	255900 (75000)	285200 (83580)	317300 (92990)	352300 (103250)	390400 (114410)	431700 (126520)	
	GPM (L/min)	37.0 (140.1)	41.8 (158.3)	47.3 (179.2)	53.7 (203.2)	61.0 (230.9)	69.6 (263.4)	79.6 (301.5)	91.6 (346.6)	
	PSIG (kPa)	0.8 (5.2)	1.0 (6.6)	1.2 (8.3)	1.5 (10.5)	1.9 (13.4)	2.5 (17.2)	3.2 (22.1)	4.2 (28.7)	
W400M8 Compressor: 6DJNR40ME	BTU/H (Watts)	248300 (72770)	278500 (81620)	311100 (91170)	346300 (101490)	384200 (112600)	424800 (124500)	468300 (137240)	514600 (150810)	
	GPM (L/min)	45.4 (172)	51.6 (195.3)	58.6 (221.9)	66.6 (252.2)	75.8 (287)	86.5 (327.3)	98.8 (374)	113.2 (428.6)	
	PSIG (kPa)	0.9 (5.9)	1.1 (7.5)	1.4 (9.6)	1.8 (12.1)	2.3 (15.5)	2.9 (19.9)	3.7 (25.4)	4.8 (32.9)	

* = Compressor model number may change based on voltage. See Electrical data on pages 11-12 for details.

W

CAPACITY DATA - R22

60Hz

MEDIUM TEMPERATURE

Capacity Rating Conditions: Entering Water = 85°F (29.4°C), Condensing = 110°F (43.3°C), Subcooling = 0°F (0°C)

MODEL W		SATURATED SUCTION TEMPERATURE °F (°C)								
		0 (-17.8)	5 (-15)	10 (-12.2)	15 (-9.4)	20 (-6.7)	25 (-3.9)	40 (4.4)	45 (7.2)	
W0075M2 Compressor: KWN*-0075	BTU/H (Watts)	4400 (1290)	5120 (1500)	5890 (1730)	6740 (1980)	7660 (2240)	8660 (2540)	9750 (2860)	10930 (3200)	
	GPM (L/min)	0.9 (3.3)	1.0 (3.8)	1.2 (4.4)	1.3 (5.1)	1.5 (5.8)	1.8 (6.7)	2.0 (7.7)	2.3 (8.8)	
	PSIG (kPa)	0.2 (1.3)	0.3 (1.8)	0.4 (2.4)	0.5 (3.2)	0.6 (4.3)	0.8 (5.8)	1.1 (7.8)	1.5 (10.3)	
W010M2 Compressor: KWR*-0100	BTU/H (Watts)	6650 (1950)	7540 (2210)	8520 (2500)	9590 (2810)	10760 (3150)	12030 (3530)	13410 (3930)	14900 (4370)	
	GPM (L/min)	1.5 (5.7)	1.7 (6.5)	2.0 (7.6)	2.3 (8.8)	2.7 (10.2)	3.1 (11.8)	3.7 (13.9)	4.3 (16.2)	
	PSIG (kPa)	0.6 (4.1)	0.8 (5.5)	1.1 (7.5)	1.5 (10.2)	2.0 (13.9)	2.8 (19.2)	3.9 (26.5)	5.4 (37.2)	
W015M2 Compressor: KW*-0150	BTU/H (Watts)	7700 (2260)	8800 (2580)	10000 (2930)	11300 (3310)	12700 (3720)	14200 (4160)	15800 (4630)	17600 (5160)	
	GPM (L/min)	1.4 (5.3)	1.6 (6)	1.8 (6.8)	2.0 (7.7)	2.3 (8.7)	2.6 (9.8)	2.9 (11.1)	3.3 (12.5)	
	PSIG (kPa)	0.3 (2.3)	0.4 (2.9)	0.5 (3.7)	0.7 (4.7)	0.9 (5.9)	1.1 (7.3)	1.3 (9.1)	1.6 (11.3)	
W020M2 Compressor: ERA*-0200	BTU/H (Watts)	7700 (2260)	10200 (2990)	12800 (3750)	15400 (4510)	18200 (5330)	21100 (6180)	24200 (7090)	27600 (8090)	
	GPM (L/min)	1.6 (5.9)	2.1 (7.9)	2.6 (10)	3.2 (12.3)	3.9 (14.8)	4.7 (17.7)	5.6 (21.2)	6.7 (25.4)	
	PSIG (kPa)	0.4 (2.9)	0.7 (4.8)	1.1 (7.5)	1.6 (11)	2.3 (15.6)	3.2 (21.8)	4.4 (30.3)	6.2 (42.4)	

* = Compressor model number may change based on voltage. See Electrical data on pages 11-12 for details.

MODEL W	COMPRESSOR MODEL NO.	POWER SUPPLY	COMPRESSOR		UNIT		
			RLA	LRA	MCA	MOP	
W0075M2-	IS2	KWN2-0075-CAV	208-230/1/60	6.1	36	7.6	15
	IT3	KWN1-0075-TAC	208-230/3/60	3.5	19.9	4.4	15
W010M2-	IS2	KWR2-0100-CAV	208-230/1/60	7.4	40	9.3	15
	IT3	KWR1-0100-TAC	208-230/3/60	4.3	27	5.4	15
	IT4	KWR1-0100-TAD	460/3/60	2.2	13.5	2.8	15
W015M2-	IS2	KWGB-0150-CAV	208-230/1/60	9.6	55	12.0	20
	IT3	KWR1-0150-TAC	208-230/3/60	4.3	27	5.4	15
	IT4	KWR1-0150-TAD	460/3/60	2.2	13.5	2.8	15
W020M2-	IS3	ERA2-0200-CAB	230/1/60	10.4	58	13.0	20
	IT3	ERA1-0200-TAC	208-230/3/60	6.6	46	8.3	15
	IT4	ERA1-0200-TAD	460/3/60	3.5	23	4.4	15
	IT5	ERA1-0200-TAE	575/3/60	3.5	20	4.4	15
W010M6-	IS2	KWRB-010E-CAV	208-230/1/60	7.4	40	9.3	15
	IT3	KWRA-010E-TAC	208-230/3/60	4.3	27	5.4	15
W020M6-	IS2	KWKB-021E-CAV	208-230/1/60	10.6	55	13.3	20
	IT3	KWKA-020E-TAC	208-230/3/60	6.8	50	8.5	15
W021M6-	IT3	ERCA-021E-TAC	208-230/3/60	8.8	46	11.0	15
	IT4	ERCA-021E-TAD	460/3/60	3.5	23	4.4	15
W030M8-	IS3	ERFB-031E-CAB	230/1/60	17.0	86	21.3	35
	IT3	ERFA-031E-TAC	208-230/3/60	12.4	82	15.5	25
	IT4	ERFA-031E-TAD	460/3/60	5.8	41	7.3	15
	IT5	ERFA-031E-TAE	575/3/60	5.2	30	6.5	15
W050M8-	IT3	2DC3R53KE-TFC	208-230/3/60	22.3	120	27.9	50
	IT4	2DC3R53KE-TFD	460/3/60	10.4	60	13.0	20
	IT5	2DC3R53KE-TFE	575/3/60	7.7	49	9.6	15
W051M8-	IT3	2DD3R63KE-TFC	208-230/3/60	22.3	120	27.9	50
	IT4	2DD3R63KE-TFD	460/3/60	10.5	60	13.1	20
	IT5	2DD3R63KE-TFE	575/3/60	7.9	49	9.9	15
W075M8-	IT3	2DL3R78KE-TFC	208-230/3/60	31.6	169	39.5	70
	IT4	2DL3R78KE-TFD	460/3/60	13.8	85	17.3	30
	IT5	2DL3R78KE-TFE	575/3/60	13.2	67	16.5	25
W076M8-	IT3	3DA3R10ME-TFC	208-230/3/60	41	215	51.3	90
	IT4	3DA3R10ME-TFD	460/3/60	20	106	25.0	45
	IT5	3DA3R10ME-TFE	575/3/60	16.4	84	20.5	35
W100M8-	IT3	3DB3R12ME-TFC	208-230/3/60	43.6	215	54.5	90
	IT4	3DB3R12ME-TFD	460/3/60	20	106	25.0	45
	IT5	3DB3R12ME-TFE	575/3/60	16.5	84	20.6	35
W150M8-	IT3	3DS3R17ME-TFC	208-230/3/60	59.6	275	74.5	125
	IT4	3DS3R17ME-TFD	460/3/60	29	138	36.3	60
	IT5	3DS3R17ME-TFE	575/3/60	23.6	110	29.5	50
W250M8-	IT3	4DHNR22ME-TSK	208-230/3/60	82.1	428	102.6	175
	IT4	4DHNR22ME-TSK	460/3/60	41.1	214	51.4	90
	IT5	4DHNR22ME-TSE	575/3/60	34.4	172	43.0	70
W300M8-	IT3	4DJNR28ME-TSK	208-230/3/60	105.4	470	131.8	225
	IT4	4DJNR28ME-TSK	460/3/60	52.7	235	65.9	110
	IT5	4DJNR28ME-TSE	575/3/60	44.1	200	55.1	90
W350M8-	IT3	6DHNR35ME-TSK	208-230/3/60	125.1	565	156.4	250
	IT4	6DHNR35ME-TSK	460/3/60	62.6	283	78.3	125
	IT5	6DHNR35ME-TSE	575/3/60	43.1	230	53.9	90
W400M8-	IT3	6DJNR40ME-TSN	208-230/3/60	142.9	594	178.6	300
	IT4	6DJNR40ME-TSN	460/3/60	71.4	297	89.3	150
	IT5	6DJNR40ME-TSE	575/3/60	53.5	245	66.9	120

Above listed RLA value is based on UL rating method and may differ from published compressor RLA data.

table continues on next page >>>

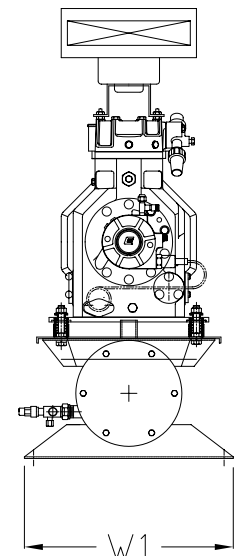
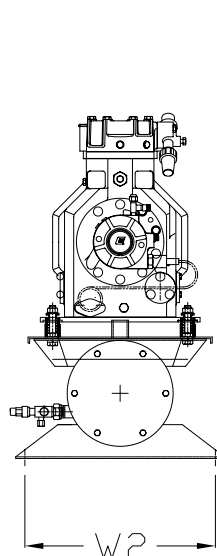
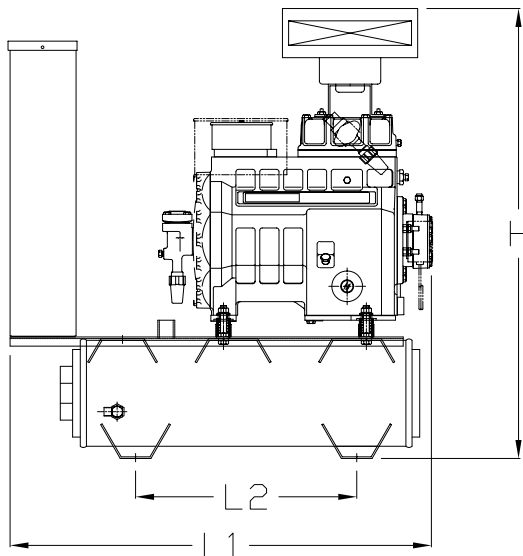
ELECTRICAL DATA

(cont'd)

MODEL W	COMPRESSOR MODEL NO.	POWER SUPPLY	COMPRESSOR		UNIT		
			RLA	LRA	MCA	MOP	
W0075L 6/8-	IS2	KWMB-007E-CAV	208-230/1/60	5.6	36	7.0	15
	IT3	KWMA-007E-TAC	208-230/3/60	3.2	19.9	4.0	15
W010L 6/8-	IS2	KWJB-010E-CAV	208-230/1/60	6.9	40	8.6	15
	IT3	KWJA-011E-TAC	208-230/3/60	4.6	27	5.8	15
	IT4	KWJA-011E-TAD	460/3/60	2.1	15	2.6	15
W015L 6/8-	IS2	KWLB-015E-CAV	208-230/1/60	9.9	55	12.4	20
	IT3	KWLA-016E-TAC	208-230/3/60	6.6	50	8.3	15
	IT4	KWLA-016E-TAD	460/3/60	3.4	25	4.3	15
W020L 6/8-	IS3	EADB-021E-CAB	230/1/60	10	58	12.5	20
	IT3	EADA-020E-TAC	208-230/3/60	6.8	46	8.5	15
	IT4	EADA-020E-TAD	460/3/60	3.9	26.6	4.9	15
W030L 6/8-	IS3	LAHB-032E-CAB	208-230/1/60	16.7	105	20.9	35
	IT3	LAHA-032E-TAC	208-230/3/60	12.8	112	16.0	25
	IT4	LAHA-032E-TAD	460/3/60	6	56	7.5	15
	IT5	LAHA-032E-TAD	575/3/60	4.1	30	5.1	15
W035L 6/8-	IS2	2DF3F16KE-CFB	230/1/60	25.8	125	32.3	50
	IT3	2DF3F16KE-TFC	208-230/3/60	16.8	102	21.0	35
	IT4	2DF3F16KE-TFD	460/3/60	8.1	52	10.1	15
	IT5	2DF3F16KE-TFE	575/3/60	6.7	41	8.4	15
W040L 6/8-	IT3	2DL3F20KE-TFC	208-230/3/60	26.3	161	32.9	50
	IT4	2DL3F20KE-TFD	460/3/60	10.2	60	12.8	20
	IT5	2DL3F20KE-TFE	575/3/60	7.7	49	9.6	15
W060L 6/8-	IT3	2DA3F23KE-TFC	208-230/3/60	28.8	161	36.0	60
	IT4	2DA3F23KE-TFD	460/3/60	10.2	60	12.8	20
	IT5	2DA3F23KE-TFE	575/3/60	9.1	49	11.4	20
W061L 6/8-	IT3	3DA3F28KE-TFC	208-230/3/60	30.3	150	37.9	60
	IT4	3DA3F28KE-TFD	460/3/60	13.7	77	17.1	30
	IT5	3DA3F28KE-TFE	575/3/60	10.5	62	13.1	20
W075L 6/8-	IT3	3DB3F33KE-TFC	208-230/3/60	31.4	161	39.3	70
	IT4	3DB3F33KE-TFD	460/3/60	16.1	83	20.1	35
	IT5	3DB3F33KE-TFE	575/3/60	11	67	13.8	25
W090L 6/8-	IT3	3DF3F40KE-TFC	208-230/3/60	39	215	48.8	80
	IT4	3DF3F40KE-TFD	460/3/60	16.9	106	21.1	35
	IT5	3DF3F40KE-TFE	575/3/60	16.5	84	20.6	35
W100L 6/8-	IT3	3DS3F46KE-TFC	208-230/3/60	41.4	215	51.8	90
	IT4	3DS3F46KE-TFD	460/3/60	18.6	106	23.3	40
	IT5	3DS3F46KE-TFE	575/3/60	16.2	84	20.3	35
W150L 6/8-	IT3	4DHN63KE-TSK	208-230/3/60	52.6	278	65.8	110
	IT4	4DHN63KE-TSK	460/3/60	26.3	139	32.9	50
	IT5	4DHN63KE-TSE	575/3/60	20.9	113	26.1	45
W200L 6/8-	IT3	4DJNF76KE-TSK	208-230/3/60	64.3	374	80.4	125
	IT4	4DJNF76KE-TSK	460/3/60	32.1	187	40.1	70
	IT5	4DJNF76KE-TSE	575/3/60	29.1	135	36.4	60
W250L 6/8-	IT3	6DHN93KE-TSK	208-230/3/60	80.7	450	100.9	175
	IT4	6DHN93KE-TSK	460/3/60	40.4	225	50.5	90
	IT5	6DHN93KE-TSE	575/3/60	32.5	172	40.6	70
W300L 6/8-	IT3	6DJNF11ME-TSK	208-230/3/60	95.6	470	119.5	200
	IT4	6DJNF11ME-TSK	460/3/60	47.8	235	59.8	100
	IT5	6DJNF11ME-TSE	575/3/60	39.6	200.0	49.5	80

Above listed RLA value is based on UL rating method and may differ from published compressor RLA data.

MODEL W	OVERALL						BASE MTG. CENTERS			
	L1		W2		H		L2		W2	
	Inches	mm	Inches	mm	Inches	mm	Inches	mm	Inches	mm
W0075M2	35 1/4	894	15 1/2	394	25 5/8	651	14	356	13	330
W010M2	35 1/4	894	15 1/2	394	25 5/8	651	14	356	13	330
W015M2	36 1/2	927	15 1/2	394	26 1/4	667	18	457	13	330
W020M2	36 3/4	934	15 1/2	394	26 1/4	667	18	457	13	330
W010M6	35 1/4	894	15 1/2	394	25 5/8	651	14	356	13	330
W020M6	37 1/2	953	15 1/2	394	26 1/4	667	18	457	13	330
W021M6	37 1/2	953	15 1/2	394	26 1/4	667	18	457	13	330
W030M8	36 1/2	927	17	432	28 3/4	730	18	457	15 1/2	394
W031M8	36 5/8	929	17	432	28 3/4	730	18	457	15 1/2	394
W050M8	42 5/8	1081	17	432	28 7/8	733	25	635	15 1/2	394
W051M8	42 5/8	1081	17	432	28 7/8	733	25	635	15 1/2	394
W075M8	45 1/4	1148	17	432	33	837	25	635	15 1/2	394
W076M8	45 1/4	1148	17	432	31 7/8	811	25	635	15 1/2	394
W100M8	51 1/2	1308	27 1/2	699	31 7/8	811	38	965	15 1/2	394
W150M8	51 5/8	1311	27 1/2	699	33 7/8	861	38	965	15 1/2	394
W250M8	51 5/8	1311	27 1/2	699	33 3/4	856	38	965	15 1/2	394
W300M8	64	1626	27 1/2	699	33 3/4	856	38	965	15 1/2	394
W350M8	77 1/2	1969	27 1/2	699	33 7/8	860	38	965	18 1/2	470
W400M8	77 1/2	1969	27 1/2	699	36 3/4	932	38	965	18 1/2	470
W0075L6	35 1/4	894	15 1/2	394	25 5/8	651	14	356	13	330
W010L6	35 1/4	894	15 1/2	394	25 5/8	651	14	356	13	330
W015L6	35 1/4	894	15 1/2	394	25 5/8	651	14	356	13	330
W020L6	36 1/4	919	15 1/2	394	25 5/8	651	14	356	13	330
W030L6	38 1/4	972	15 1/2	394	35 1/4	895	18	457	13	330
W035L6	38	966	17	432	37 7/8	961	18	457	15 1/2	394
W040L6	38	966	17	432	37 7/8	961	18	457	15 1/2	394
W060L6	42 5/8	1081	17	432	37 7/8	961	25	635	15 1/2	394
W061L6	42	1069	17	432	37 3/4	960	25	635	15 1/2	394
W075L6	42	1069	17	432	37 3/4	960	25	635	15 1/2	394
W090L6	45 1/4	1148	17	432	39 7/8	1014	25	635	15 1/2	394
W100L6	45 1/4	1148	27 1/2	699	39 7/8	1014	25	635	15 1/2	394
W150L6	51 1/2	1308	27 1/2	699	36 7/8	937	38	965	15 1/2	394
W200L6	51 1/2	1308	27 1/2	699	36 7/8	937	38	965	15 1/2	394
W250L6	51 5/8	1311	27 1/2	699	41 7/8	1064	38	965	15 1/2	394
W300L6	51 5/8	1311	27 1/2	699	44 3/4	1136	38	965	15 1/2	394



MODEL W	CONNECTION SIZES						RECEIVER CAPACITY 90% FULL		SHIPPING WEIGHT	
	WATER CONNECTION		LIQUID LINE VALVE		SUCTION LINE VALVE		Lbs.	Kgs	Lbs.	Kgs
	Inches	mm	Inches	mm	Inches	mm				
W0075M2	3/4	19	3/8	10	5/8	16	26	12	289	131
W010M2	3/4	19	3/8	10	5/8	16	26	12	291	132
W015M2	3/4	19	3/8	10	7/8	22	35	16	320	145
W020M2	3/4	19	3/8	10	7/8	22	35	16	390	177
W010M6	3/4	19	3/8	10	5/8	16	22	10	293	133
W020M6	3/4	19	3/8	10	7/8	22	30	13	327	148
W021M6	3/4	19	3/8	10	7/8	22	30	13	400	181
W030M8 *	1 1/4	32	1/2	13	1 1/8	29	51	23	448	203
W050M8 *	1 1/4	32	1/2	13	1 1/8	29	59	27	623	283
W051M8 *	1 1/4	32	1/2	13	1 1/8	29	59	27	623	283
W075M8 *	1 1/4	32	5/8	16	1 3/8	35	109	50	659	299
W076M8 *	1 1/4	32	5/8	16	1 3/8	35	109	50	692	314
W100M8 *	1 1/4	32	7/8	22	1 3/8	35	123	56	860	390
W150M8 *	1 1/2	38	1 1/8	29	1 5/8	41	173	79	943	428
W250M8 *	1 1/2	38	1 1/8	29	2 1/8	54	173	79	1020	463
W300M8 *	2	51	1 1/8	29	2 1/8	54	196	89	1116	506
W350M8 *	2 1/2	64	1 3/8	35	2 1/8	54	231	105	1268	575
W400M8 *	2 1/2	64	1 5/8	41	2 1/8	54	225	102	1371	622
W0075L 6/8	3/4	19	3/8	10	1 3/8	35	22	10	288	131
W010L 6/8	3/4	19	3/8	10	5/8	16	22	10	296	134
W015L 6/8	3/4	19	3/8	10	7/8	22	22	10	298	135
W020L 6/8	3/4	19	3/8	10	7/8	22	22	10	370	168
W030L 6/8	3/4	19	1/2	13	1 1/8	29	30	13	473	215
W035L 6/8	1 1/4	32	1/2	13	1 3/8	35	51	23	590	268
W040L 6/8	1 1/4	32	1/2	13	1 3/8	35	51	23	595	270
W060L 6/8	1 1/4	32	1/2	13	1 3/8	35	59	27	658	298
W061L 6/8	1 1/4	32	5/8	16	1 3/8	35	59	27	685	311
W075L 6/8	1 1/4	32	5/8	16	1 3/8	35	59	27	709	322
W090L 6/8	1 1/4	32	7/8	22	1 3/8	35	109	50	733	332
W100L 6/8	1 1/4	32	1 1/8	29	1 3/8	35	109	50	753	342
W150L 6/8	1 1/4	32	1 1/8	29	1 5/8	41	123	56	944	428
W200L 6/8	1 1/4	32	1 1/8	29	2 1/8	54	123	56	949	430
W250L 6/8	1 1/2	38	1 1/8	29	2 1/8	54	173	79	1091	495
W300L 6/8	1 1/2	38	1 1/8	29	2 1/8	54	173	79	1140	517

* NOTE ON ALTERNATE REFRIGERANTS:

* PUBLISHED RECEIVER CAPACITY IS BASED ON **R404A** ON MODELS USING "8" AS REFRIGERANT CODE.
FOR ALERNATE REFRIGERANTS, MULTIPLY **R404A** VALUE BY THE APPROPRIATE VALUE BELOW:

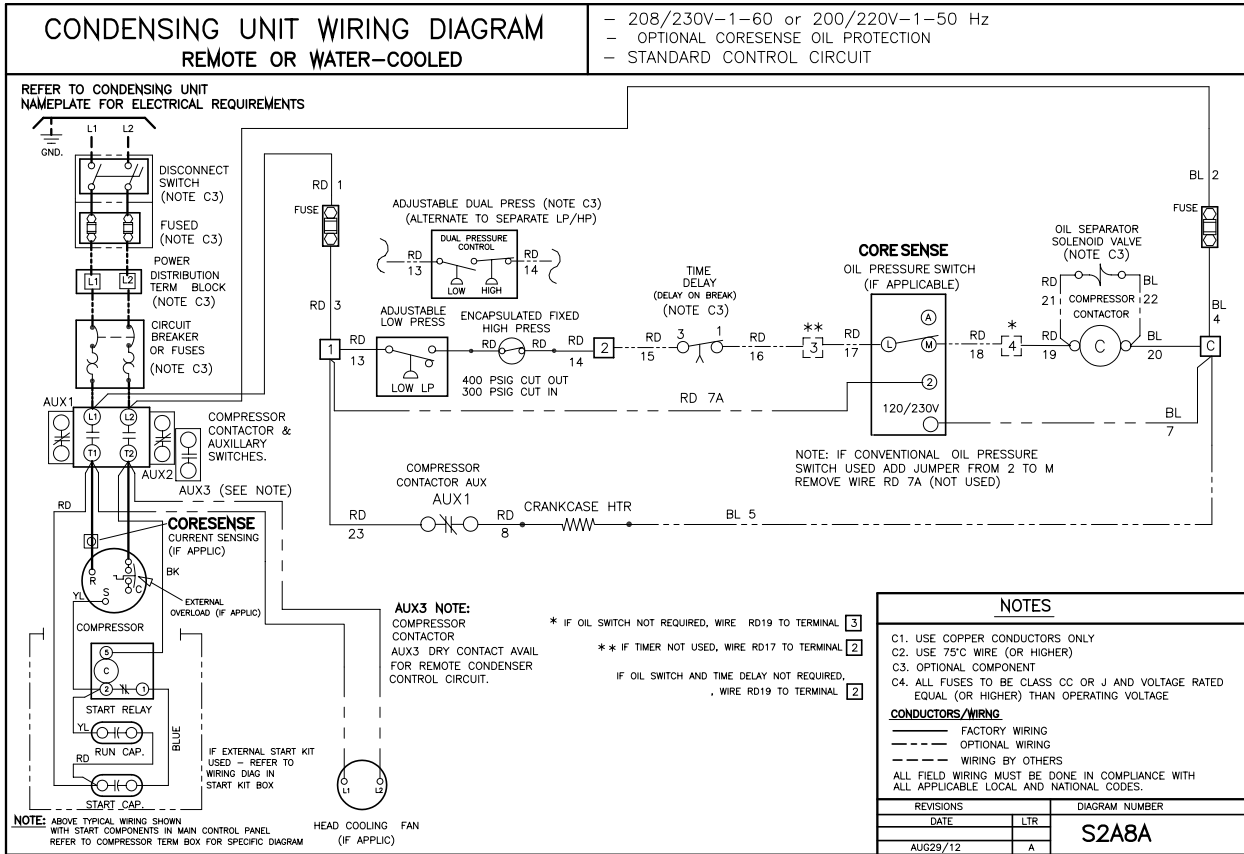
R407A	R407C	R448A	R507	R22
1.10	1.10	1.05	1.00	1.15

- For R449A, use R448A data.

TYPICAL SYSTEM WIRING DIAGRAM

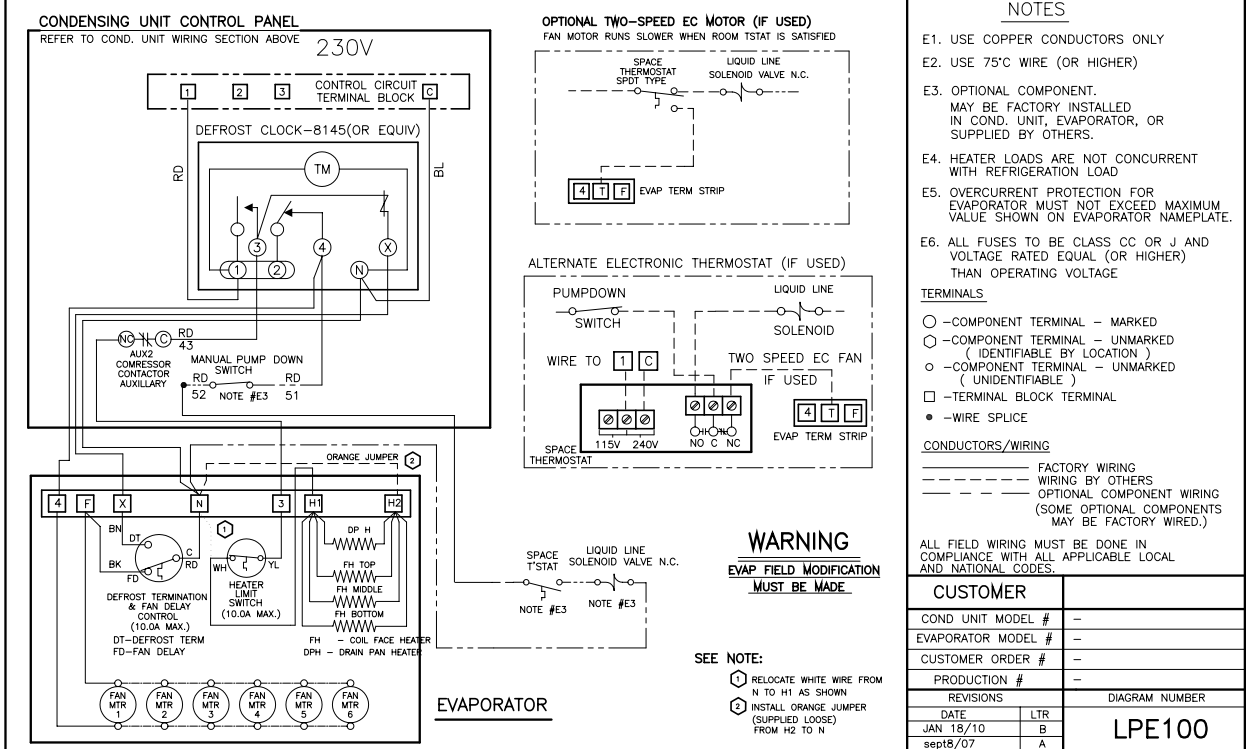
208-230/1/60 Unit

with Low Profile Electric Defrost Evaporator

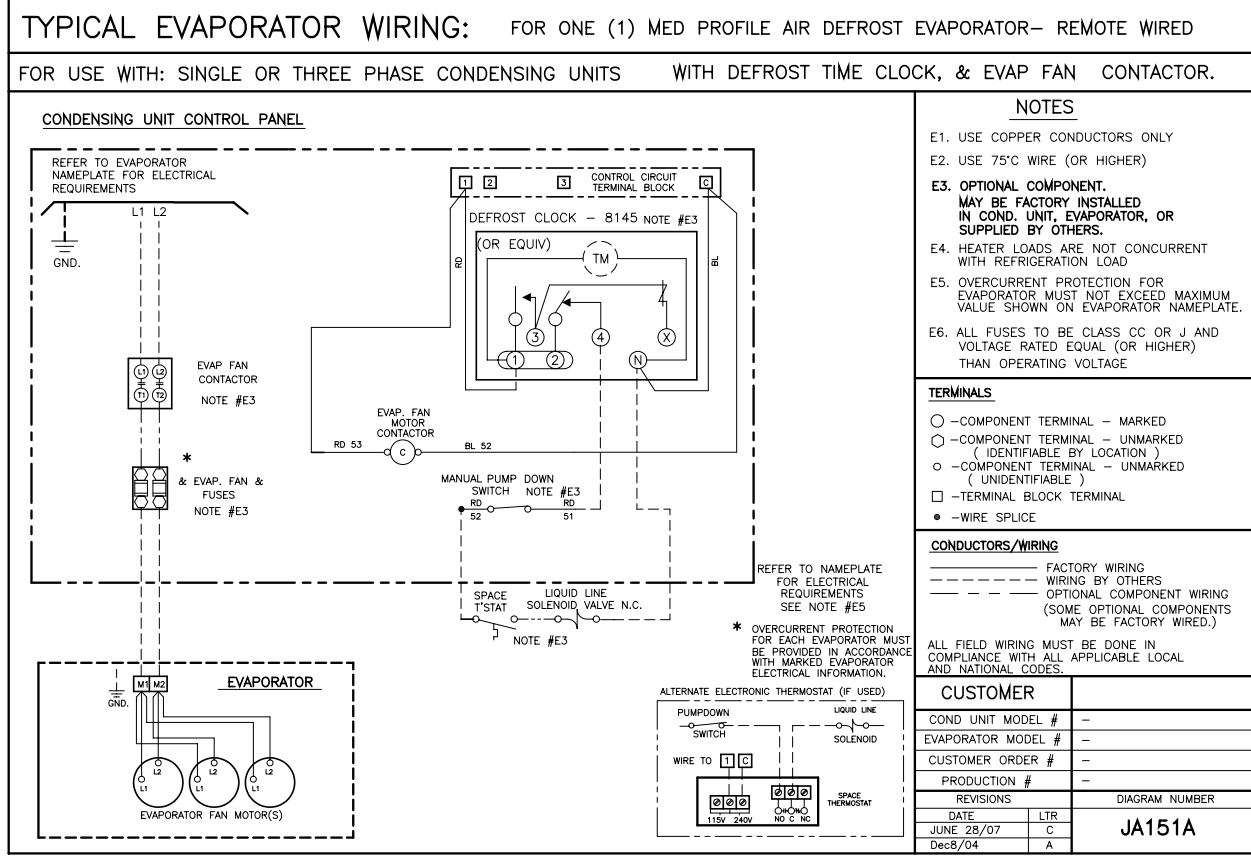
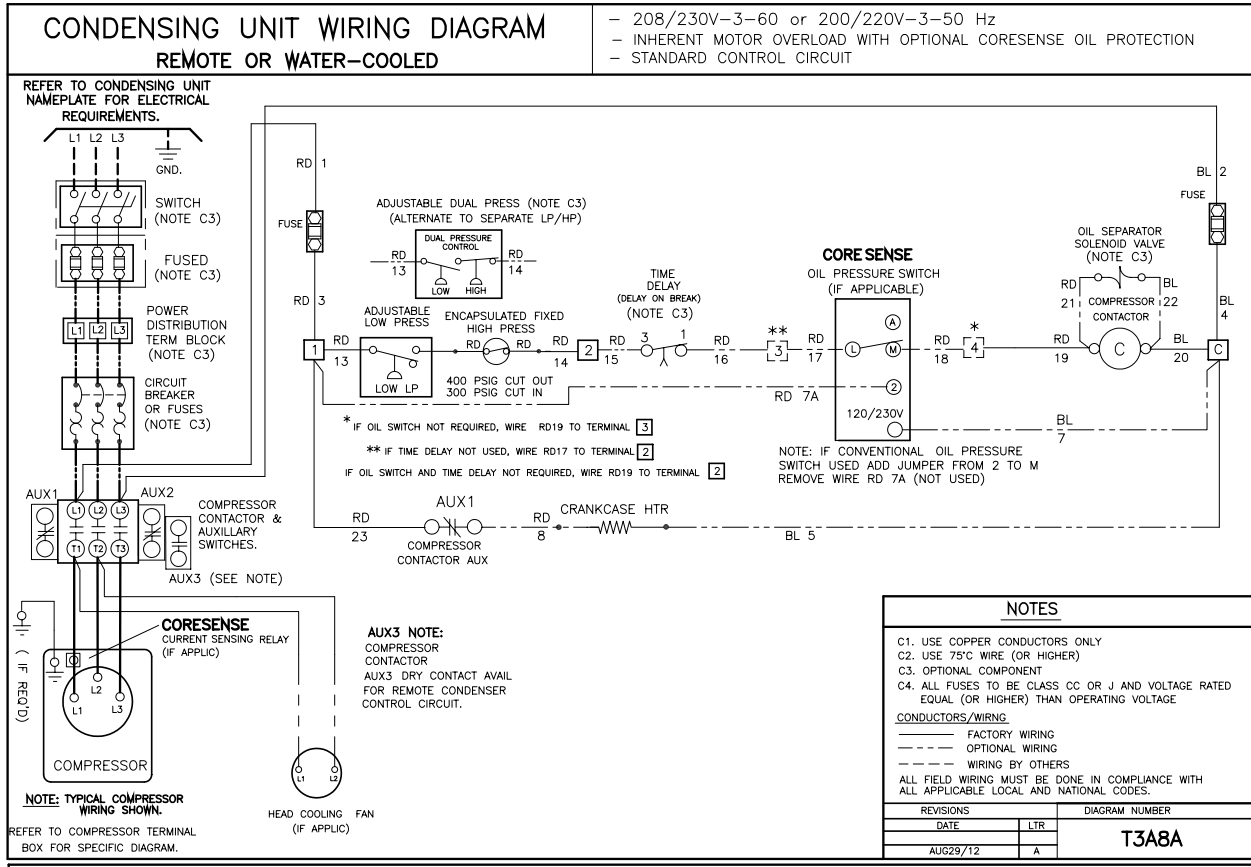


TYPICAL EVAPORATOR WIRING: FOR SINGLE LOW PROFILE ELECT 1 PHASE DEFROST EVAPORATOR- SINGLE POINT

FOR USE WITH: 230V SINGLE OR THREE PHASE CONDENSING UNITS WITH DEFROST TIME CLOCK, WITHOUT DEFROST HEATER CONTACTOR MAX DEFROST HEATER AMPS 10A



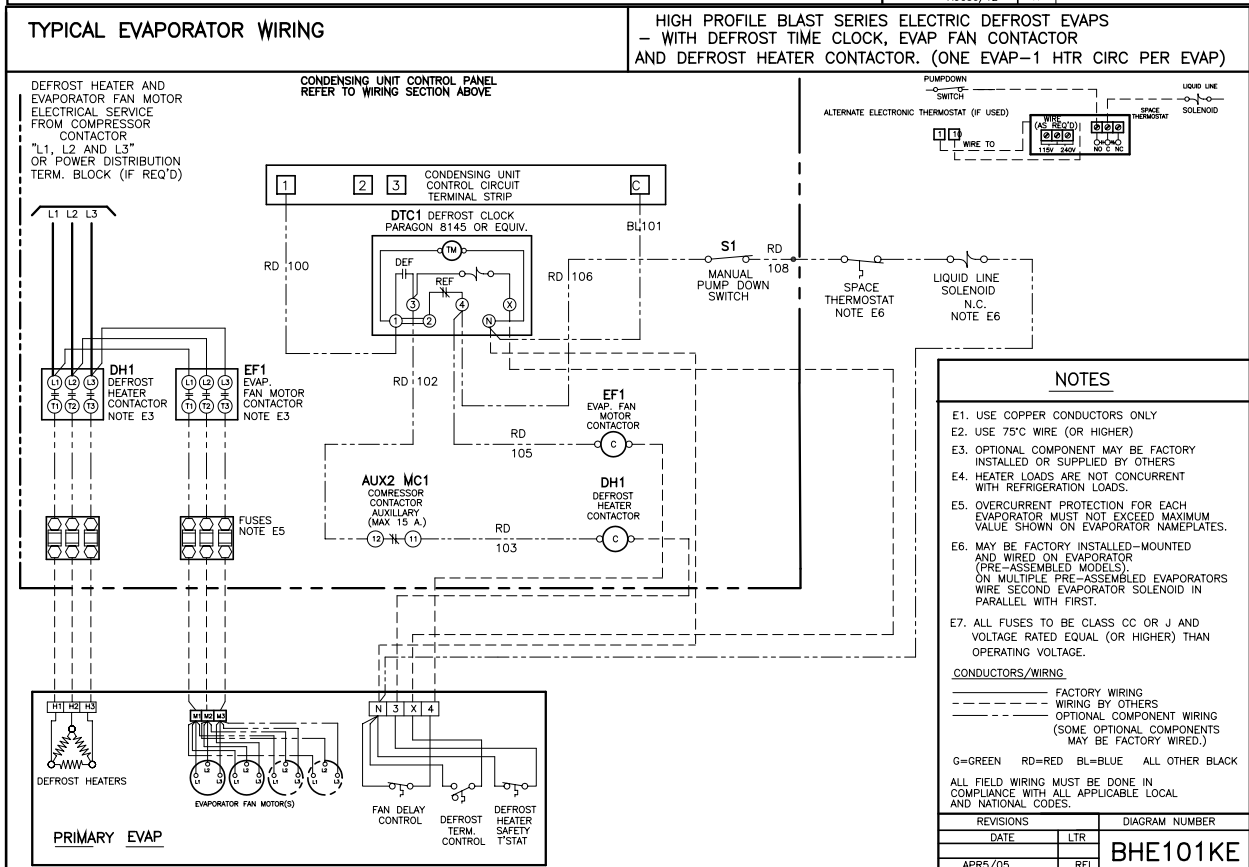
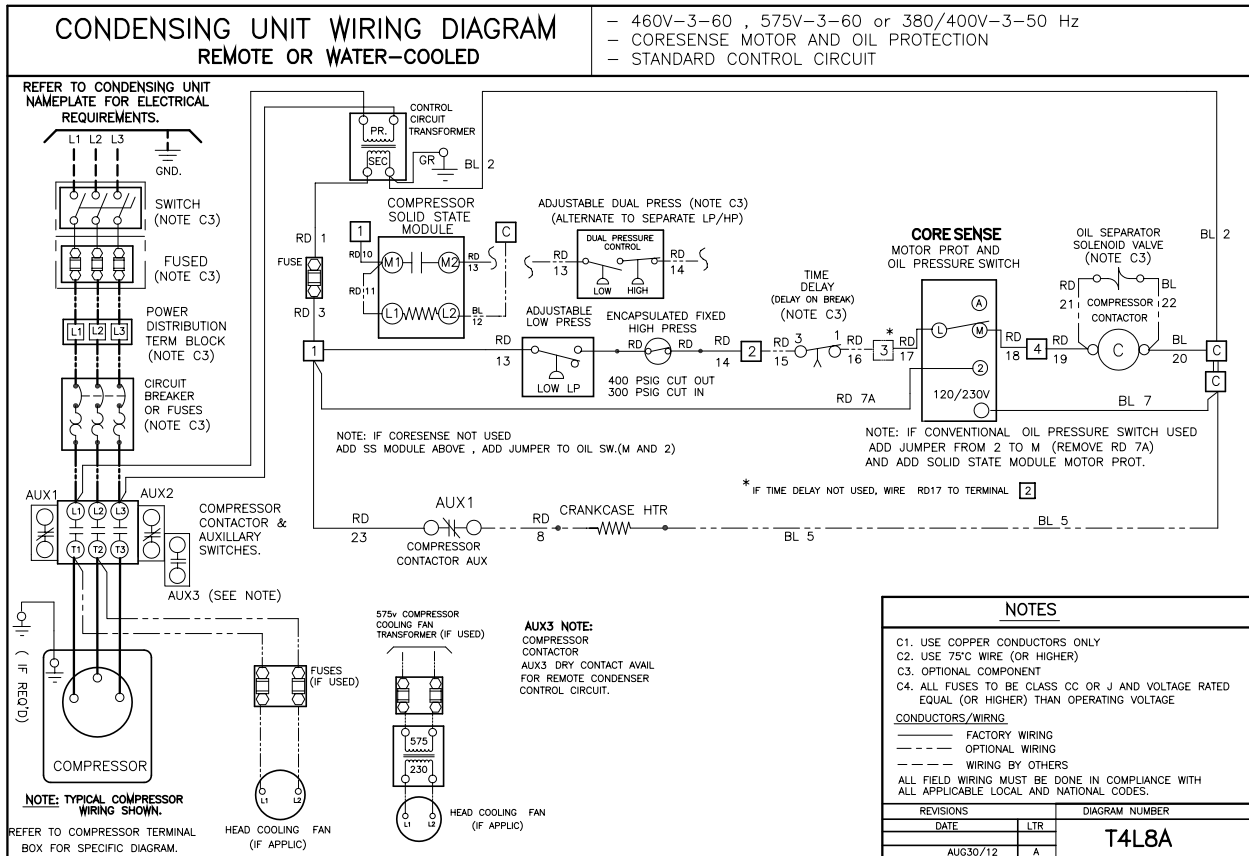
TYPICAL SYSTEM WIRING DIAGRAM 208-230/3/60 Unit with Medium Profile Air Defrost Evaporator



TYPICAL SYSTEM WIRING DIAGRAM

460/3/60 or 575/3/60 Unit

with High Profile Electric Defrost Evaporator



NOTES


System	
Model Number	Date of Start-Up
Serial Number	Service Contractor
Refrigerant	Phone
Electrical Supply	E-Mail


 <p>PRODUCT SUPPORT</p>	<p><i>web:</i> www.t-rp.com/w <i>email:</i> rcu-wccu@t-rp.com <i>call:</i> 1-844-893-3222 x523</p>
---	---

 <p>TROUBLESHOOTING</p>	<p><i>email:</i> troubleshooting@t-rp.com <i>call:</i> 1-844-893-3222 x529</p>
---	---

 <p>SERVICE PARTS</p>	<p><i>web:</i> www.t-rp.com/parts <i>email:</i> parts@t-rp.com <i>call:</i> 1-844-893-3222 x523</p>
---	---

 <p>WARRANTY</p>	<p><i>web:</i> www.t-rp.com/warranty <i>email:</i> warranty@t-rp.com <i>call:</i> 1-844-893-3222 x501</p>
---	---

 <p>ORDERS</p>	<p><i>email:</i> orders@t-rp.com <i>call:</i> 1-844-893-3222 x501</p>
--	---

 <p>SHIPPING</p>	<p><i>email:</i> shipping@t-rp.com <i>call:</i> 1-844-893-3222 x503</p>
--	---

		
<p>Trenton Refrigeration Brantford, ON • Longview, TX 1-800-463-9517 info@t-rp.com www.t-rp.com</p>		