

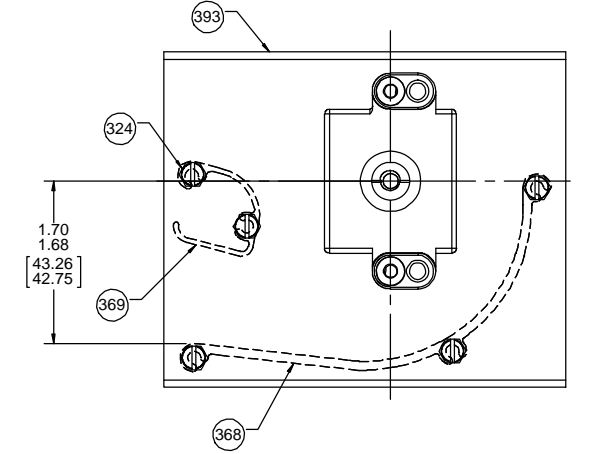
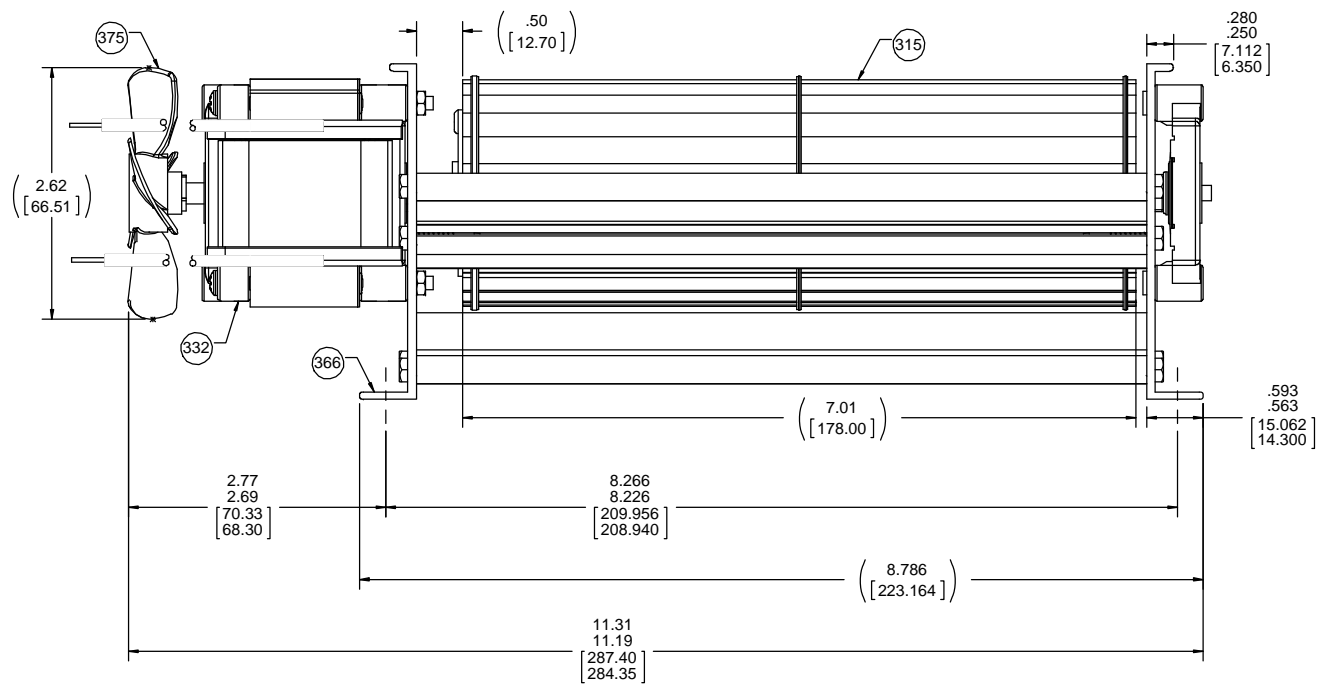
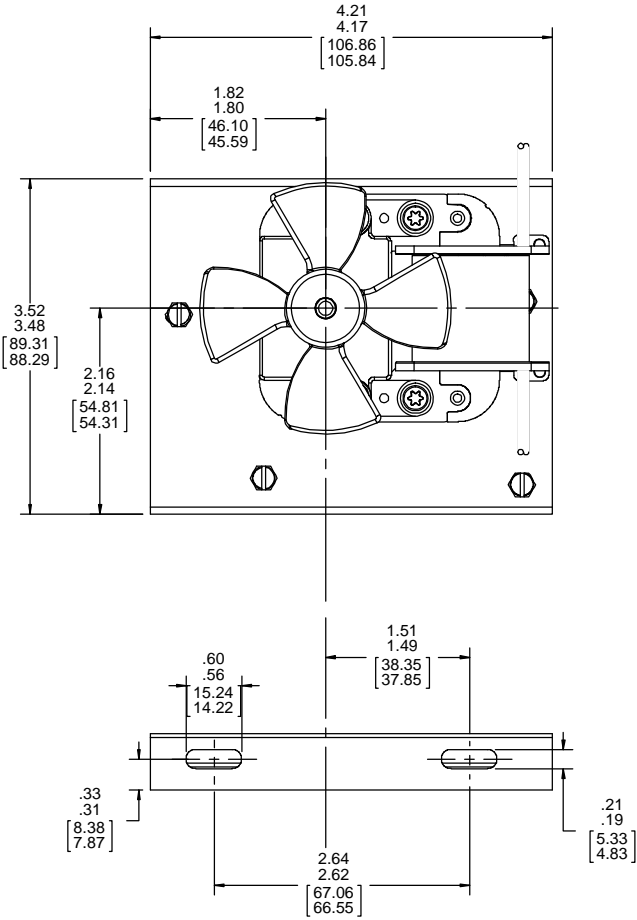
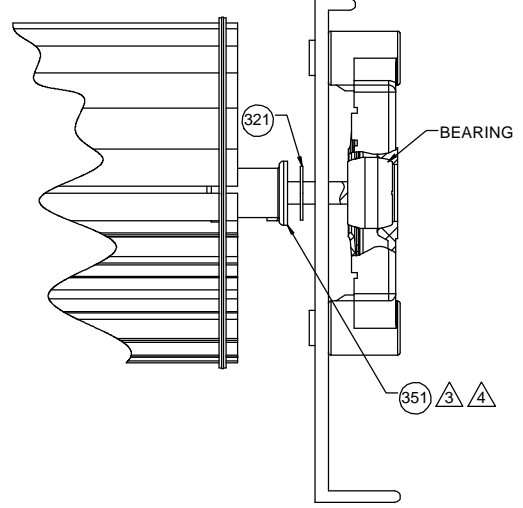
- NOTES:
- BOTTOM EDGE OF END FRAMES TO BE IN THE SAME PLANE WITHIN .059 [1.499] MAX.
  - PLACE PC 401 (61294659) LABEL TO BACK WALL OF BLOWER TO READ RIGHT WITH EXHAUST IN UNDERSHOT POSITION AS SHOWN.
  - CUPPED SIDE OF PC 351 SPACER TO BE TOWARD BEARING.
  - ASSEMBLE SPACER/WASHER COMPONENTS ON PIN AS SHOWN IN DETAIL. SPACER/WASHER COMPONENTS MUST BE ASSEMBLED AGAINST PIN SHOULDER. ASSEMBLE IMPELLER TO SHAFT WITH ENDPLAY PULLED OUT TOWARD IMPELLER. SPACER/WASHER COMPONENTS MUST BE AGAINST OUTBOARD BEARING IN THIS POSITION WHILE TIGHTENING IMPELLER SET SCREW. ENDPLAY WILL ALLOW ACCEPTABLE SPACING BETWEEN SPACER/WASHER COMPONENTS AND OUTBOARD BEARING.
  - PACK 1 PER CONTAINER, 72 MAX. PER PALLET. PACKING ASSY. 87855518, 18 CONTAINERS PER LAYER, 6 LAYERS PER PALLET. PER 88834200 AND 88834408.
  - CARTON LABELS MUST ALL FACE ONE DIRECTION TOWARD THE OPEN END OF THE PALLET. SEE 88834408.
  - NO PACKING TAPE OVER CARTON LABEL.

Uncontrolled Copy

THERMALLY PROTECTED CLASS "B" INSULATION

APPLICATION:		B	LA	FR	A	S	C	E	B	A
CUSTOMER:	FASCO DIST.	DF	58	52	X	17	AZ	5	A	0
CUSTOMER PN:	B22507									

LEAD MATERIAL  
 18 GA. 125°C 2/64 INSUL.  
 X-LINKED POLY.  
 BLACK  
 12.00/10.00 [304.80/254.00]  
 .56/.44 [14.22/11.18] STRIP



**FASCO<sup>®</sup>**  
**TRANSFLO**  
**BLOWER**  
 61294659

TYPICAL PERFORMANCE TEST DATA IN FREE AIR			
AT 115 VOLTS 60 Hz			
	RPM	WATTS	AMPS
	3185	46.2	.70
<b>BLOWER WEIGHT</b>	3.50 LBS.		<b>ENDPLAY</b> .045/.005 [1.143/.127]

DRAWING REVISION AA	REVISION BY MLS	DATE 12/5/2017	TOLERANCES UNLESS OTHERWISE SPECIFIED: DEC. INCH mm ANGLE .X ±0.1 #2.5 ±1° .XX ±0.01 #0.25 .XXX ±0.005 #0.127 XXXX ±0.0005 #0.0127	DRAWN BY MLS	DATE 12/5/2017	DESCRIPTION OUTLINE BLOWER ASSY
ECO-0134907	APPROVED BY JMG	DATE 12/5/2017	REMOVE BURRS & BREAK SHARP EDGES: .003/.015 [0.076/.381] X 45° CORNER FILLETS: R.02 [.51] MACHINED SURFACES: 125/ INCR/ 32/ mm SHOWN IN [BRACKETS]	APPROVED BY JMG	DATE 12/5/2017	MATERIAL NATURAL
<small>           PROPRIETARY AND CONFIDENTIAL INFORMATION - THIS DOCUMENT IS THE PROPERTY OF REGAL BELOIT AMERICA, INC. CONSENT AND CONFIRMATION OWNERS PROPRIETARY INFORMATION, ANY PERSON, CORPORATION OR OTHER FIRM RECEIVING IT IS DEEMED, BY RECEIVING IT, TO AGREE THAT IT, AND/OR ANY PART OF IT, SHALL NOT BE DISCLOSED TO ANY PERSON, CORPORATION OR OTHER ENTITY, DUPLICATED, AND/OR USED, EXCEPT AS EXPRESSLY APPROVED IN WRITING IN ADVANCE BY OWNER. THIS DOCUMENT SHALL BE RETURNED TO OWNER UPON REQUEST. IT MAY BE SUBJECT TO CERTAIN RESTRICTIONS UNDER APPLICABLE EXPORT CONTROL LAWS AND REGULATIONS.         </small>			<small>           COPYRIGHT © 2017 REGAL BELOIT AMERICA, INC. ALL RIGHTS RESERVED.         </small>	<small>           REGAL BELOIT AMERICA, Inc.         </small>	<small>           SIZE [DRAWING NUMBER] SHEET            D 70581009 1 OF 1         </small>	<small>           THIRD ANGLE PROJECTION         </small>